



US00D663745S

(12) **United States Design Patent**
Isono

(10) **Patent No.:** **US D663,745 S**
(45) **Date of Patent:** **** Jul. 17, 2012**

(54) **OUTBOARD MOTOR MACHINE**

D635,586 S * 4/2011 Okamoto D15/4
D643,440 S * 8/2011 Dannenberg et al. D15/4

(75) Inventor: **Fumiya Isono**, Saitama-ken (JP)

* cited by examiner

(73) Assignee: **Honda Motor Co., Ltd**, Tokyo (JP)

Primary Examiner — T. Chase Nelson

Assistant Examiner — Ania Aman

(**) Term: **14 Years**

(74) *Attorney, Agent, or Firm* — Westerman, Hattori, Daniels & Adrian, LLP

(21) Appl. No.: **29/398,072**

(57) **CLAIM**

(22) Filed: **Jul. 26, 2011**

The ornamental design for an outboard motor machine, as shown and described.

(30) **Foreign Application Priority Data**

DESCRIPTION

Jan. 28, 2011 (JP) 2011-001754

(51) **LOC (9) Cl.** **15-01**

(52) **U.S. Cl.** **D15/4**

(58) **Field of Classification Search** D15/1-5,
D15/149; 123/195 P; 440/3, 4, 88 R, 52;
D12/317, 181

See application file for complete search history.

FIG. 1 is a perspective view from the left side of an outboard motor machine.

FIG. 2 is a perspective view from the left side thereof.

FIG. 3 is a perspective view from the right side thereof.

FIG. 4 is a perspective view from the right side thereof.

FIG. 5 is a front elevation view thereof.

FIG. 6 is a rear elevation view thereof.

FIG. 7 is a top plan view thereof.

FIG. 8 is a bottom plan view thereof.

FIG. 9 is a left side elevation view thereof.

FIG. 10 is a right side elevation view thereof; and,

FIG. 11 is a referential enlarged perspective view from the right side thereof.

The portion of the outboard motor machine shown in broken lines is for the purpose of showing environmental structure only and forms no part of the claimed design.

(56) **References Cited**

U.S. PATENT DOCUMENTS

- D462,363 S * 9/2002 Burmeister et al. D15/4
- D568,904 S * 5/2008 Osumi D15/4
- D584,317 S * 1/2009 Okamoto D15/4
- D589,057 S * 3/2009 Azuma D15/4
- D589,981 S * 4/2009 Iekura D15/4
- 7,524,223 B2 * 4/2009 Ochiai et al. 440/88 R
- D629,015 S * 12/2010 Iekura et al. D15/4

1 Claim, 11 Drawing Sheets

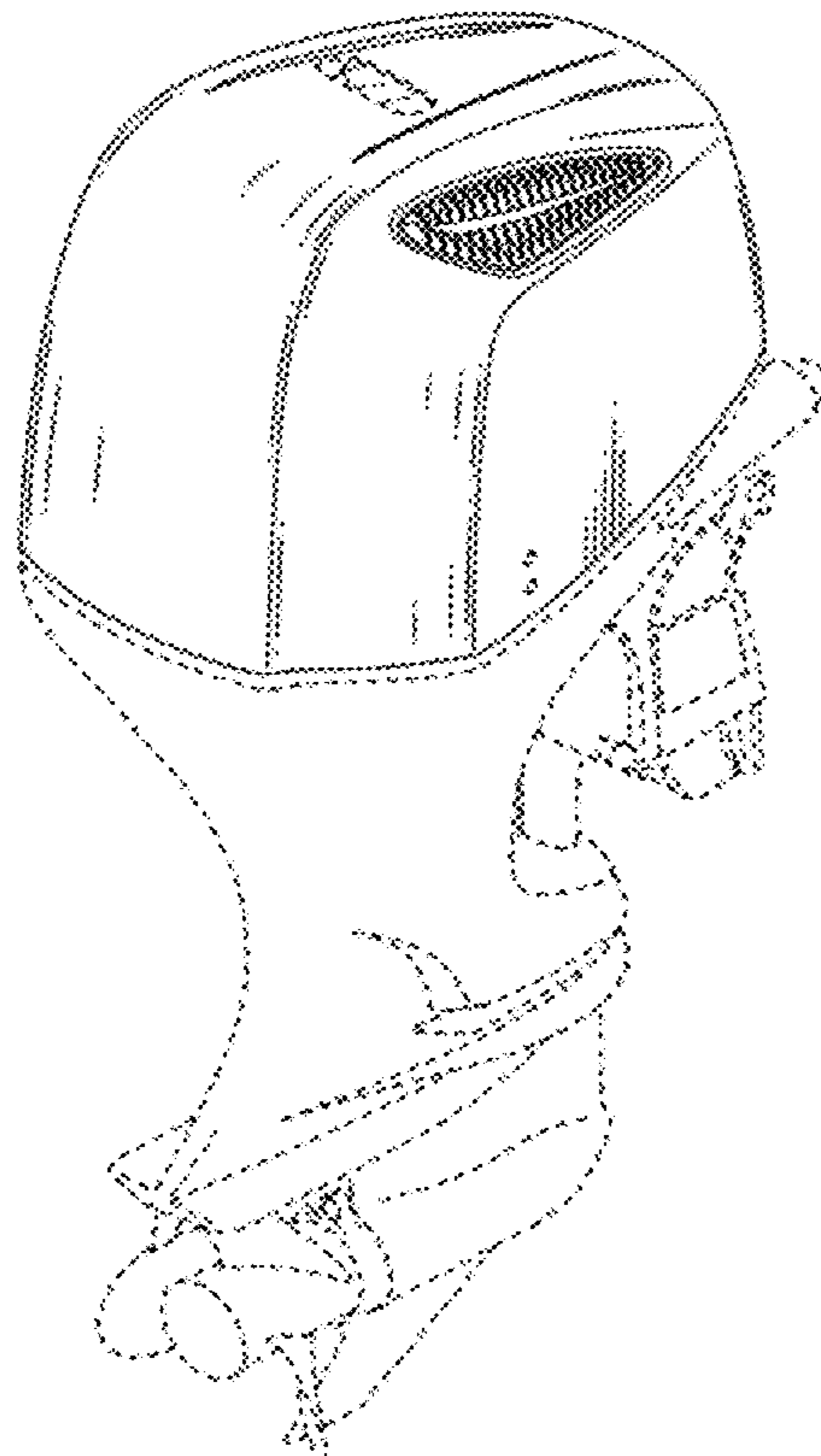


FIG. 1

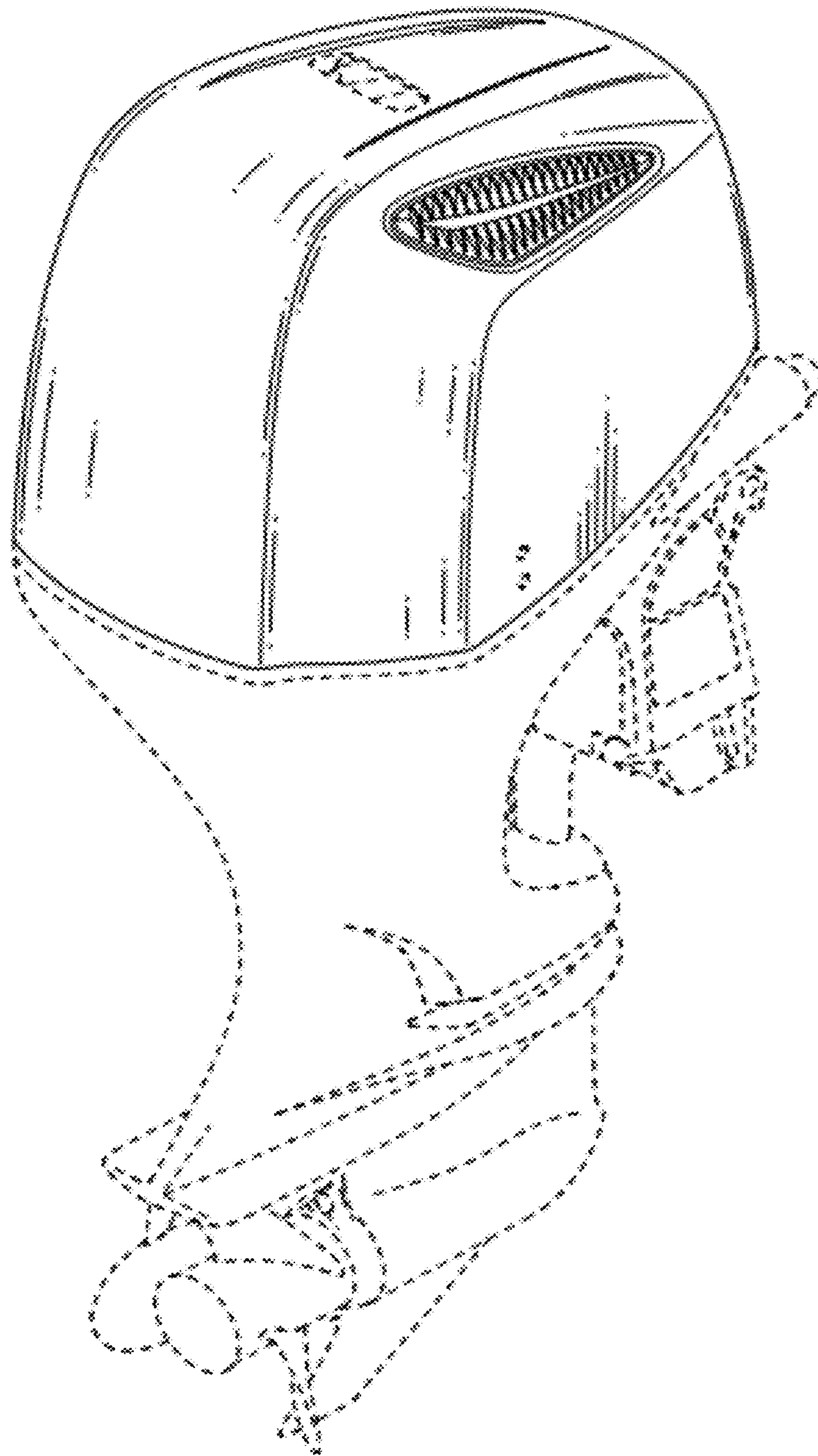


FIG. 2

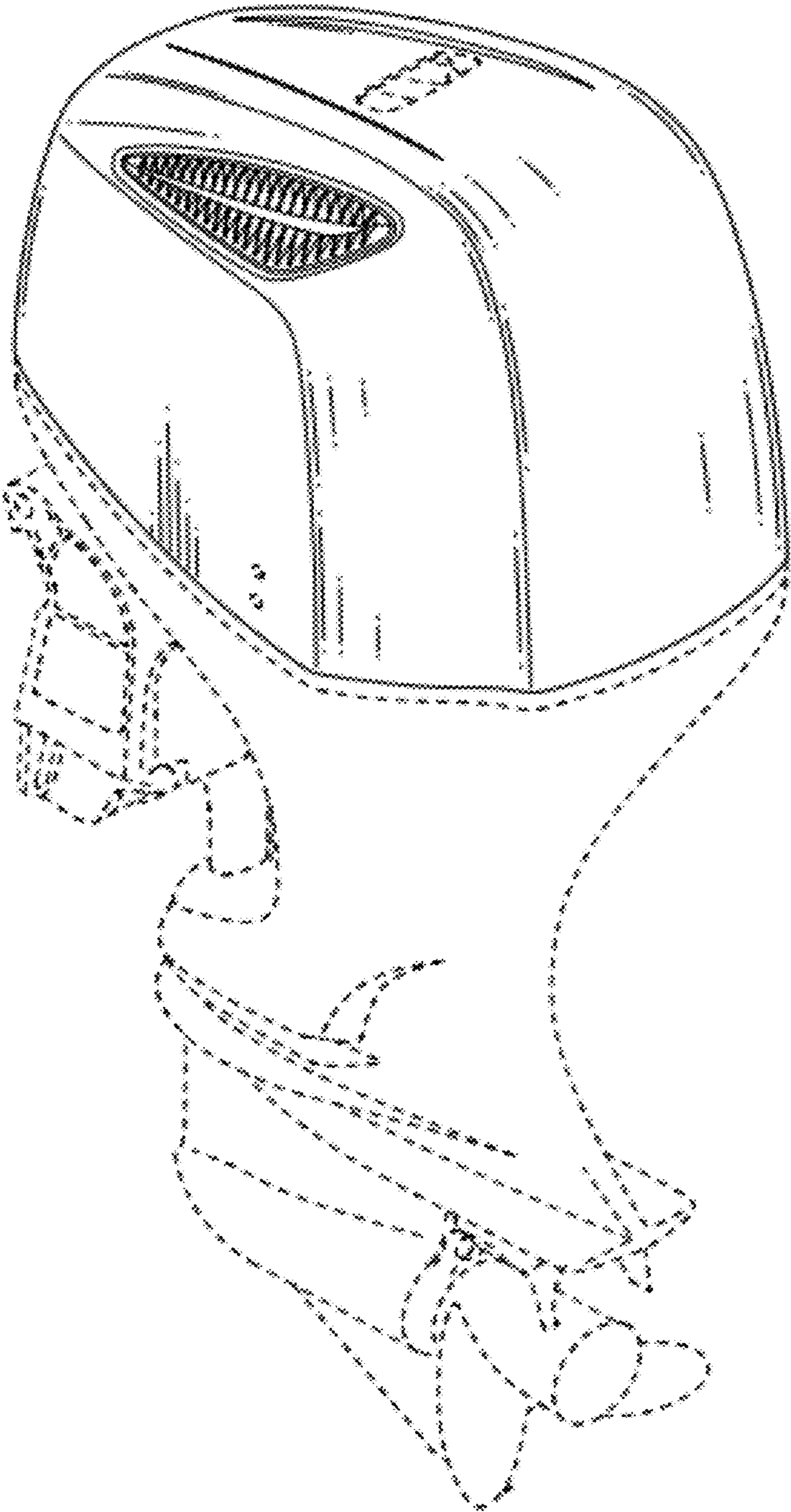


FIG. 3

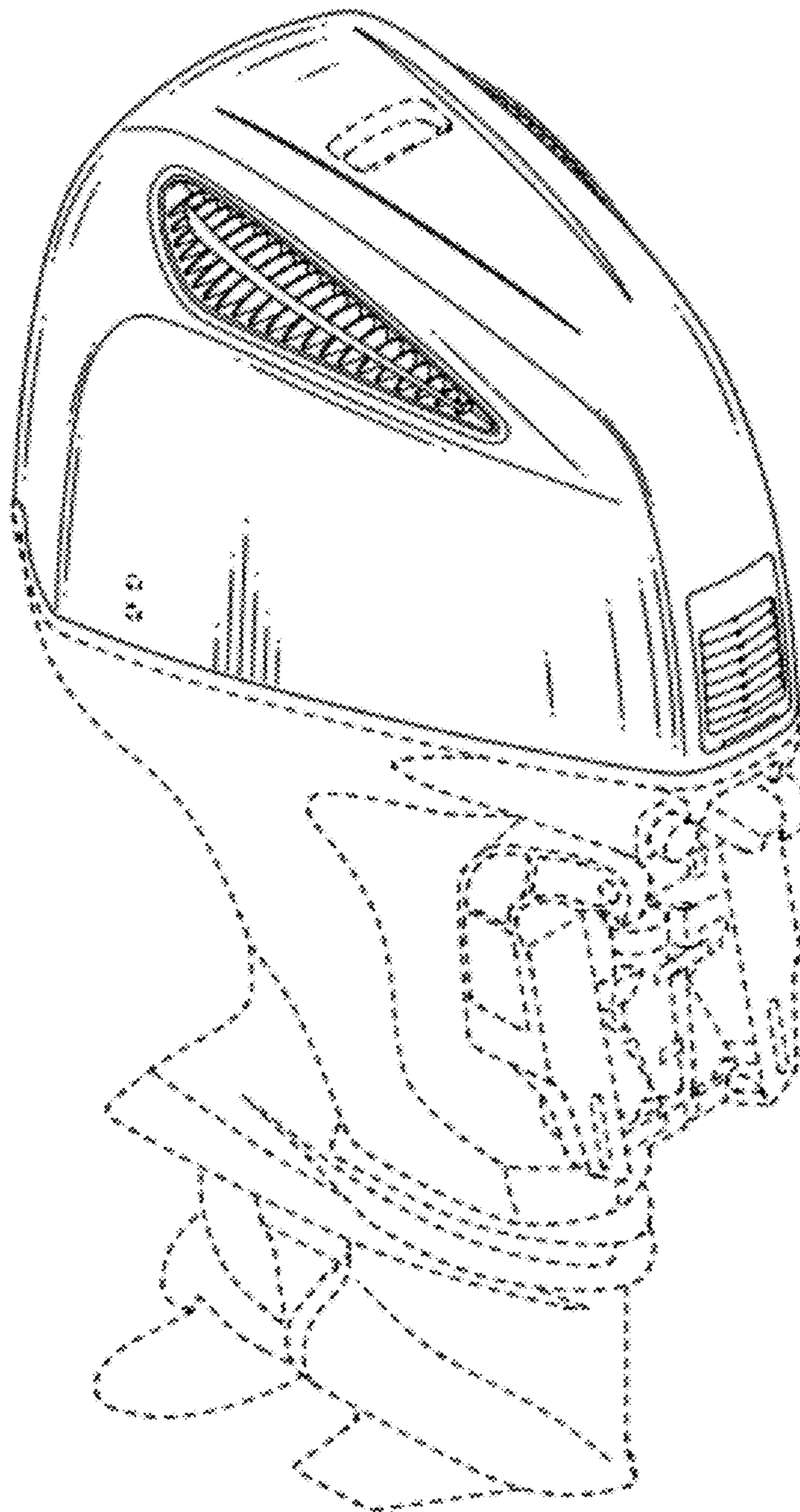


FIG. 4

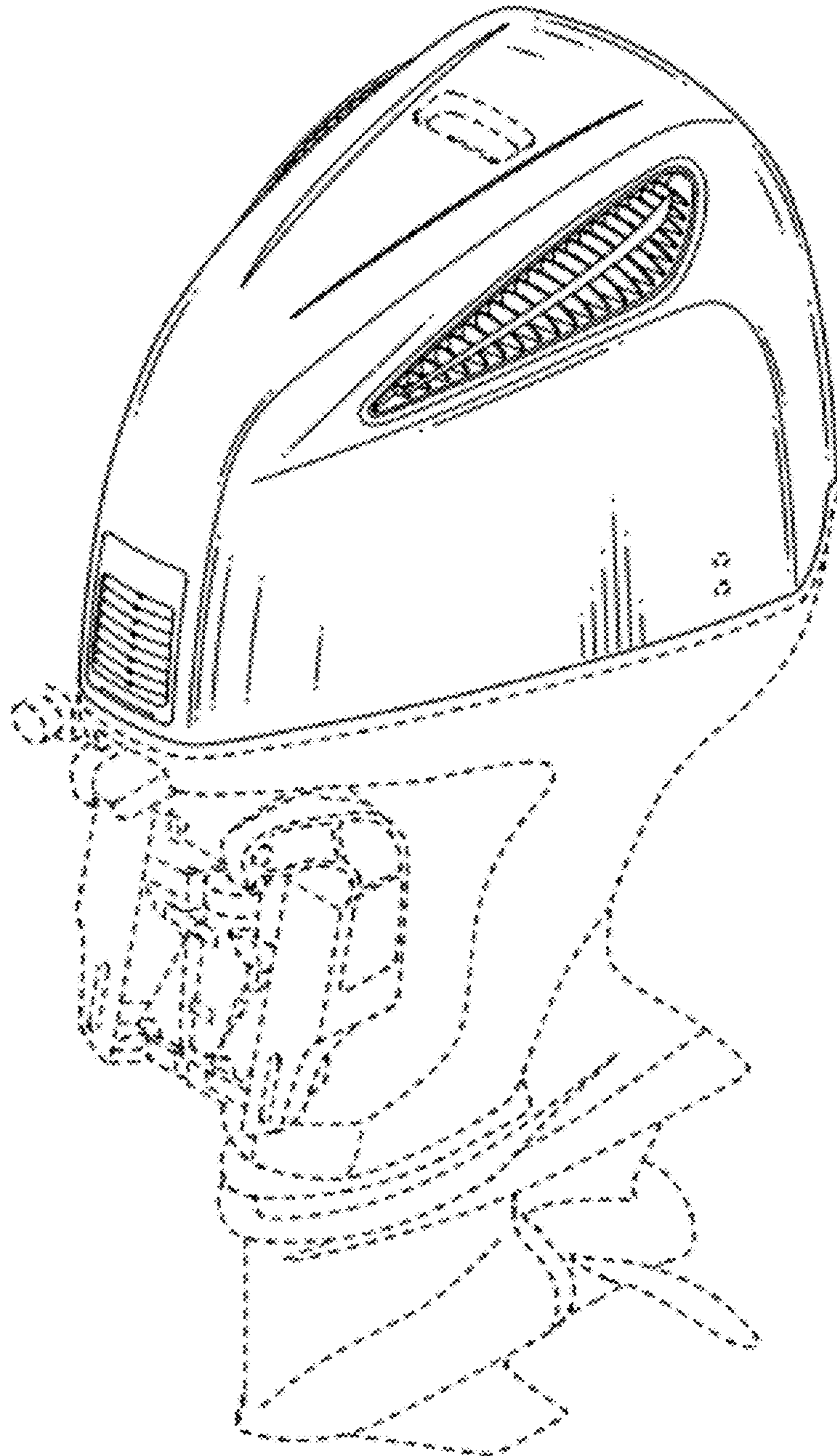


FIG. 5

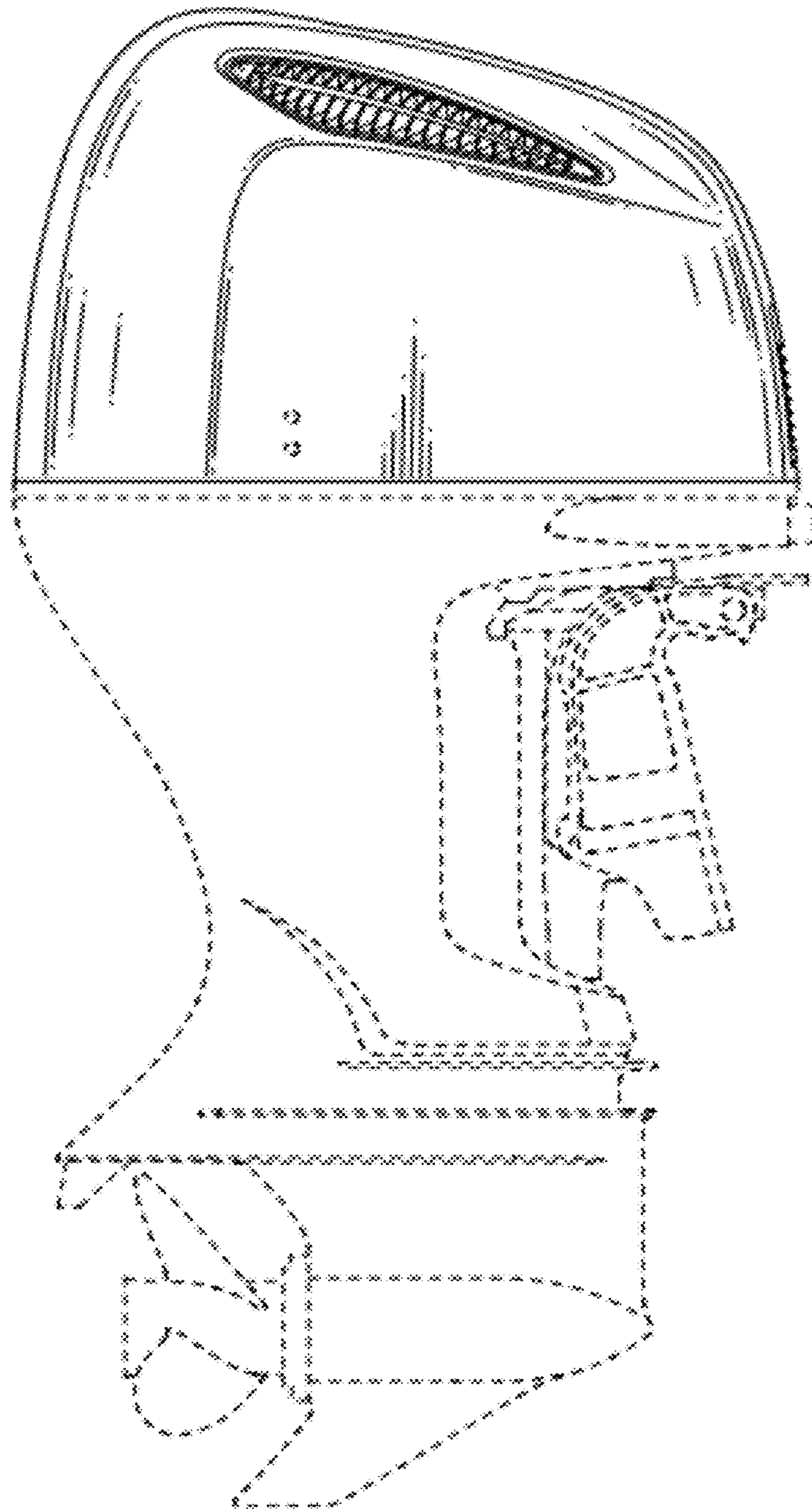


FIG. 6

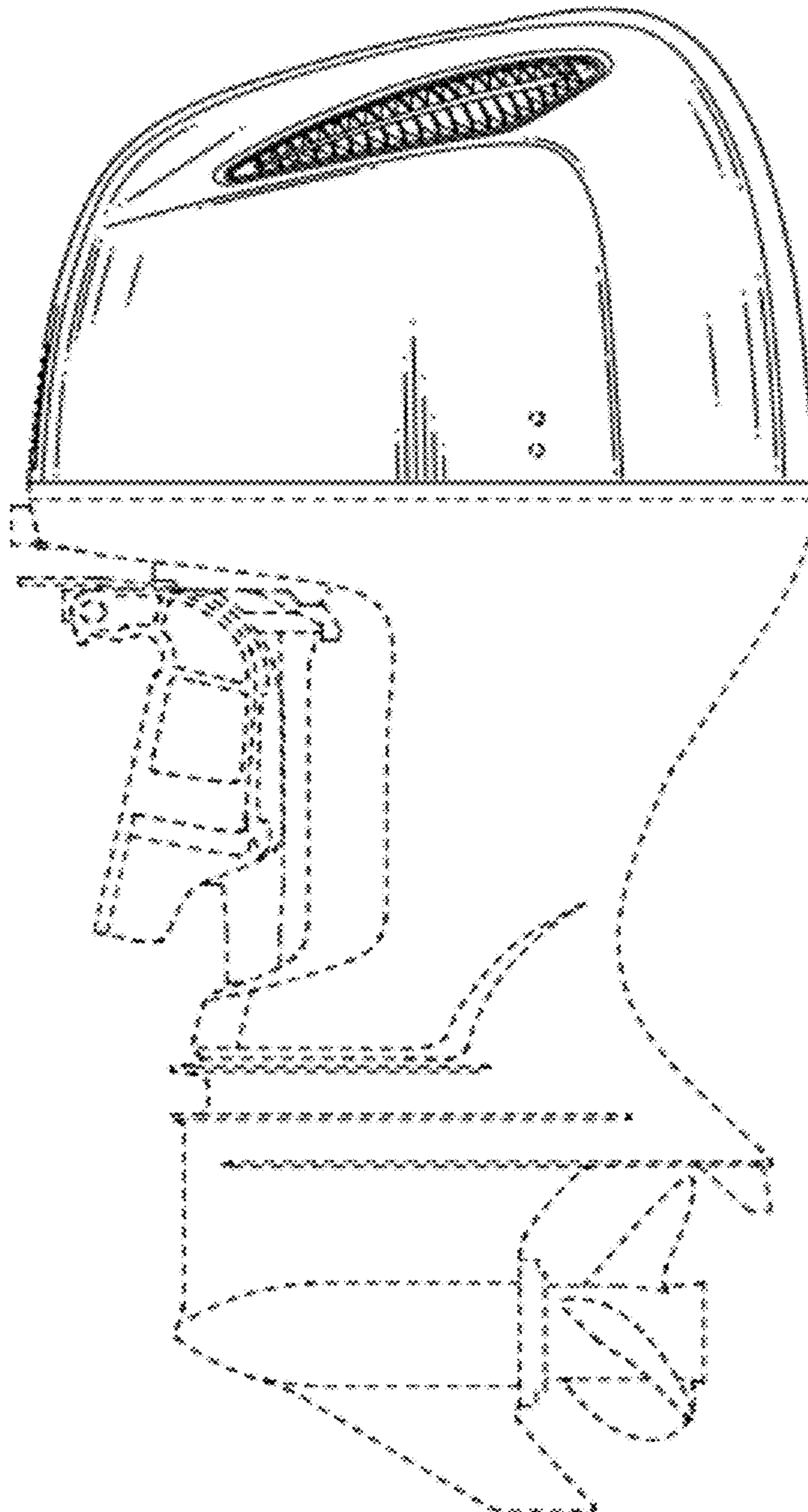


FIG. 7

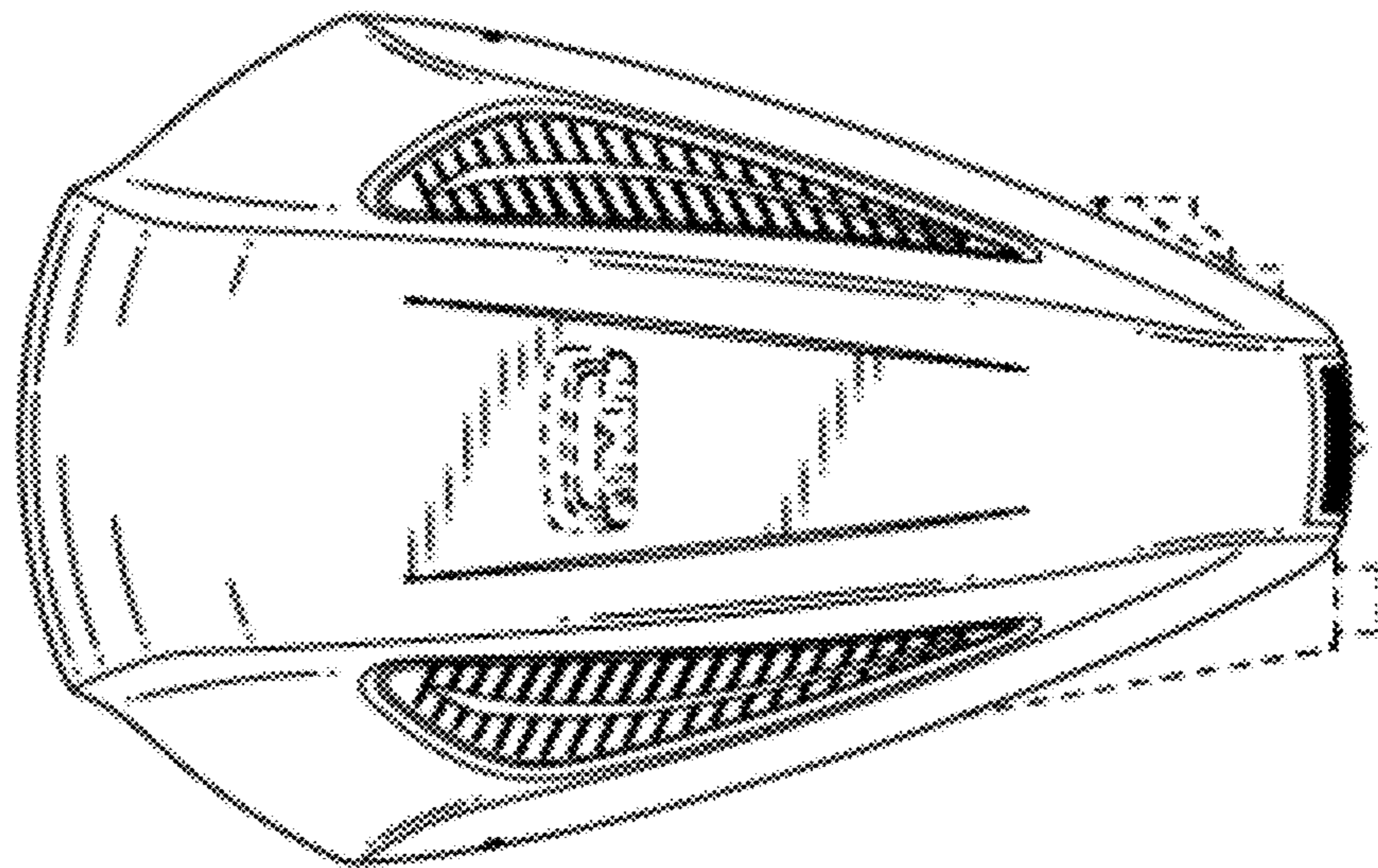


FIG. 8

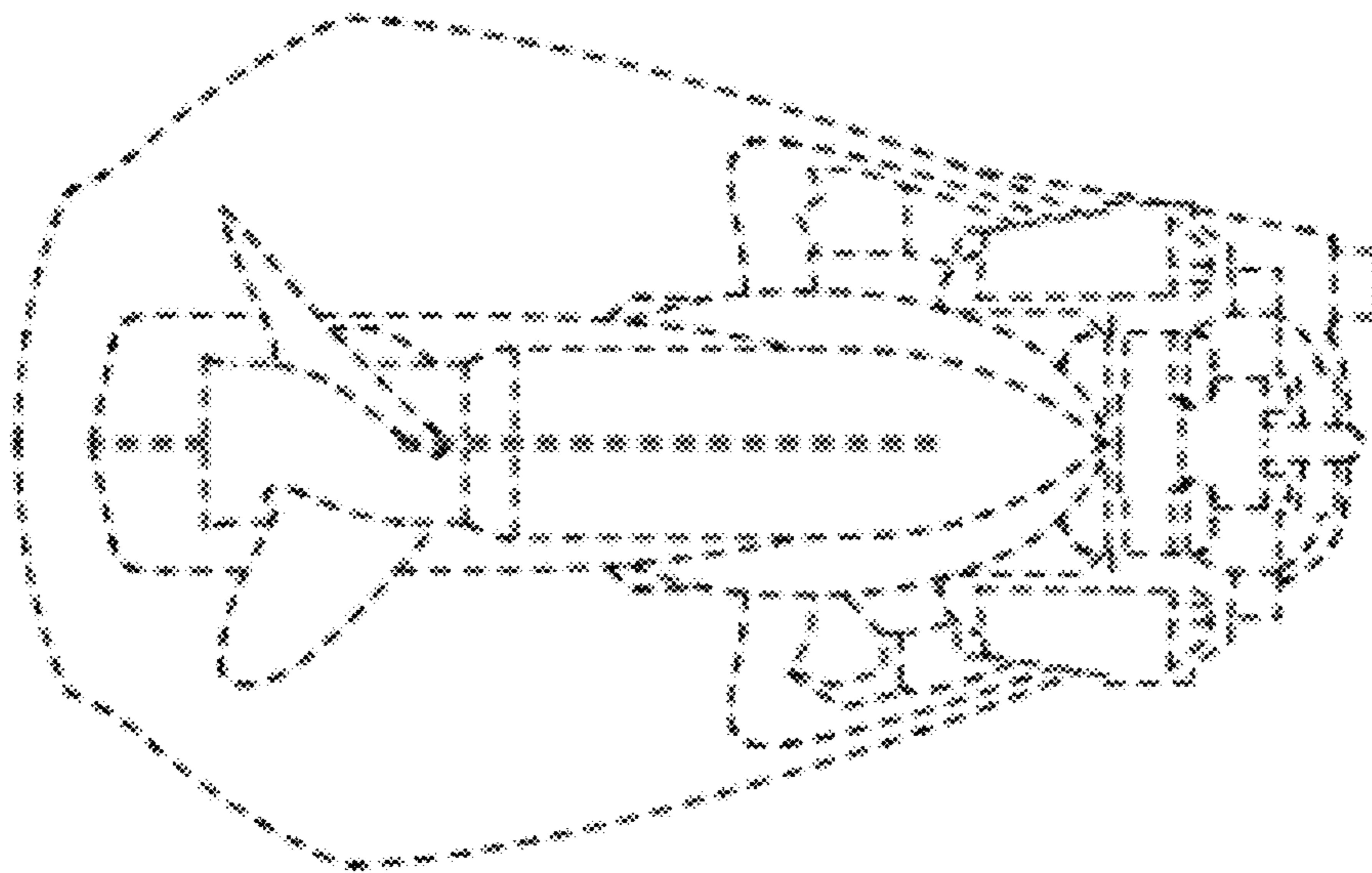


FIG. 9

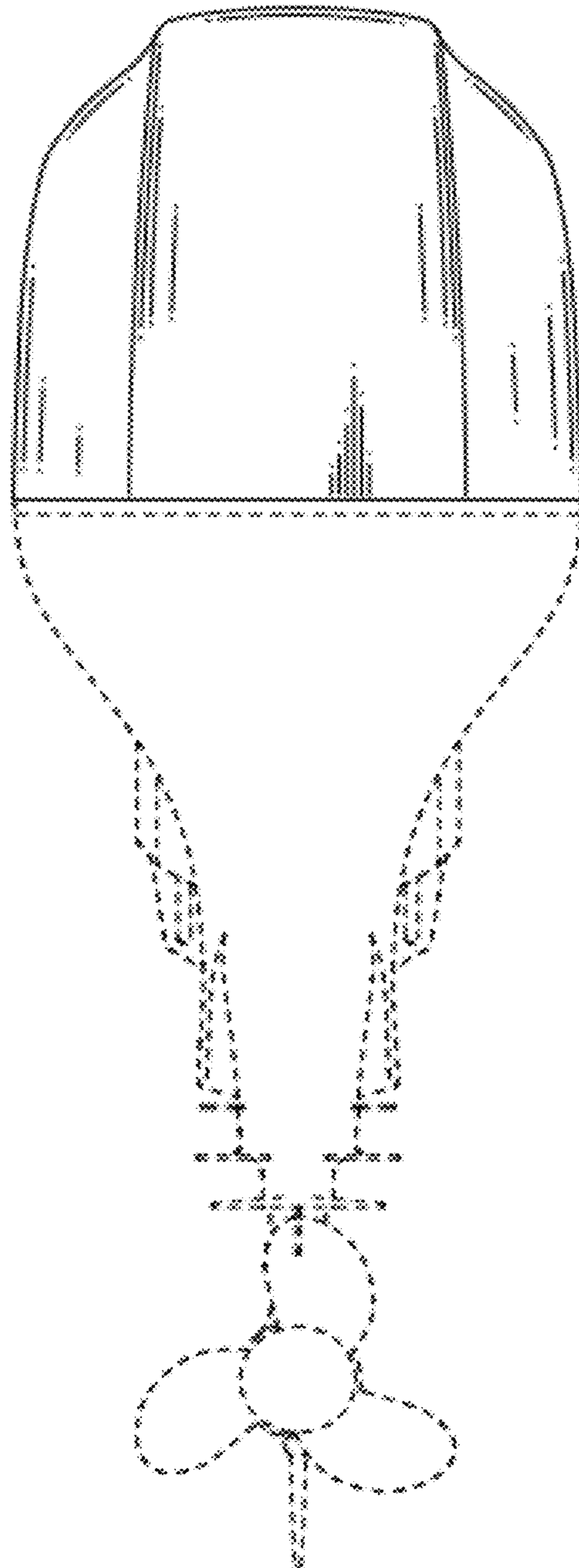


FIG. 10

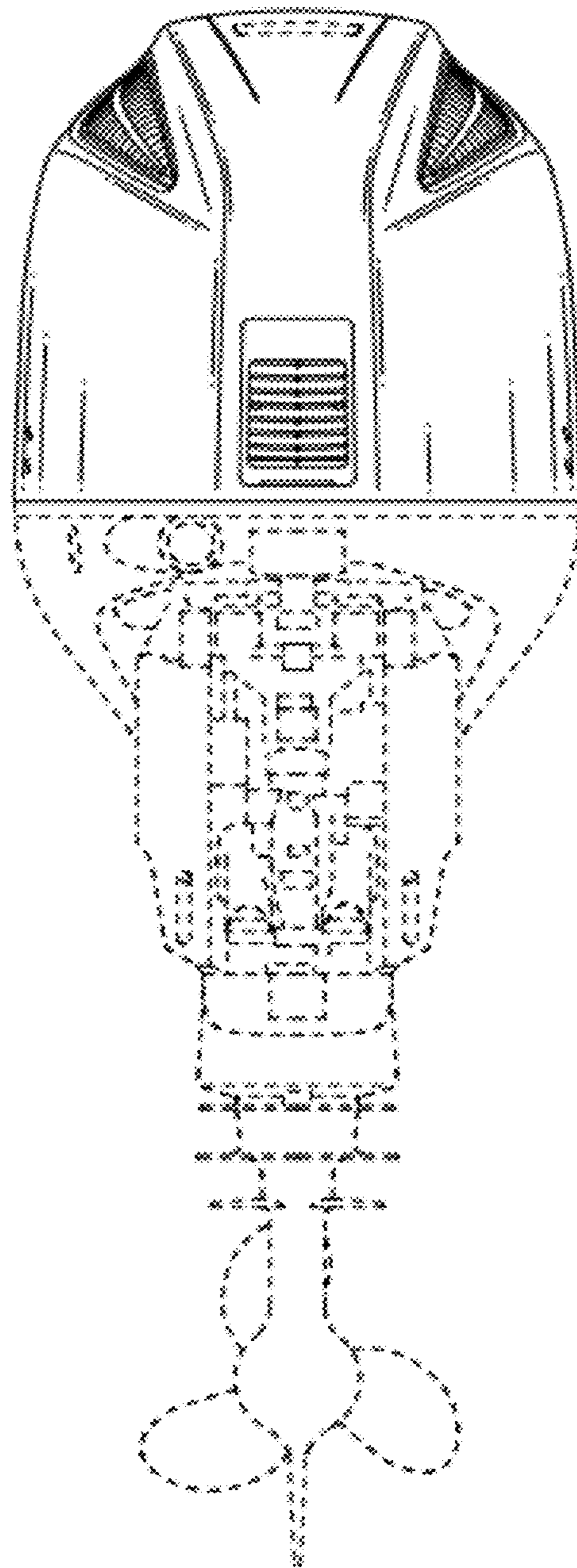


FIG. 11

