

US00D663736S

(12) **United States Design Patent**
Stanek et al.

(10) **Patent No.:** **US D663,736 S**
(45) **Date of Patent:** **** Jul. 17, 2012**

(54) **ELECTRONIC DISPLAY MOUNT**
(75) Inventors: **Nick Stanek**, Roseville, MN (US);
Sunny Sun, Savage, MN (US)
(73) Assignee: **Milestone AV Technologies LLC**, Eden
Prairie, MN (US)
(**) Term: **14 Years**
(21) Appl. No.: **29/363,009**
(22) Filed: **Jun. 3, 2010**
(51) **LOC (9) Cl.** **08-07**
(52) **U.S. Cl.** **D14/451**
(58) **Field of Classification Search** D14/448,
D14/439, 440, 447, 449, 450, 451, 452, 432,
D14/434, 457, 336, 337, 339, 340, 371, 372,
D14/373, 374, 376, 377, 378, 379, 380, 381,
D14/382, 126, 127, 128, 129, 203.8, 217,
D14/238.1, 239; 248/917, 918, 919, 920,
248/921, 922, 923, 924; D6/406.1, 406.3,
D6/406.4, 406.5, 406.6; D8/679.21
See application file for complete search history.

D574,698 S * 8/2008 Grey et al. D8/373
D588,118 S * 3/2009 Townsend et al. D14/239
D593,081 S * 5/2009 Grolle et al. D14/239
D594,001 S * 6/2009 Sexton D14/239
D633,505 S * 3/2011 van Alphen et al. D14/451
2007/0102608 A1* 5/2007 Park 248/285.1
2007/0205345 A1* 9/2007 Chen 248/297.31
* cited by examiner

Primary Examiner — Cynthia Ramirez
(74) *Attorney, Agent, or Firm* — Patterson Thuent
Christensen Pedersen, P.A.

(57) **CLAIM**
The ornamental design for an electronic display mount, as
shown and described.

DESCRIPTION

FIG. 1 is a front perspective view of an electronic display
mount according to the invention;
FIG. 2 is an enlarged front perspective view of the electronic
display mount depicted in FIG. 1;
FIG. 3 is a front elevation view of the electronic display
mount depicted in FIG. 2;
FIG. 4 is a left side elevation view of the electronic display
mount depicted in FIG. 2;
FIG. 5 is a right side elevation view of the electronic display
mount depicted in FIG. 2;
FIG. 6 is a top plan view of the electronic display mount
depicted in FIG. 2; and,
FIG. 7 is a bottom plan view of the electronic display mount
depicted in FIG. 2.
Structure depicted in broken lines is for the purpose of illus-
trating environment and forms no part of the claimed design.

1 Claim, 3 Drawing Sheets

(56) **References Cited**
U.S. PATENT DOCUMENTS
D539,636 S * 4/2007 Bremmon D8/363
D553,125 S * 10/2007 Ly Hau et al. D14/239
D560,671 S * 1/2008 Muday et al. D14/451
D560,672 S * 1/2008 Muday et al. D14/451
D570,199 S * 6/2008 Bremmon D8/363

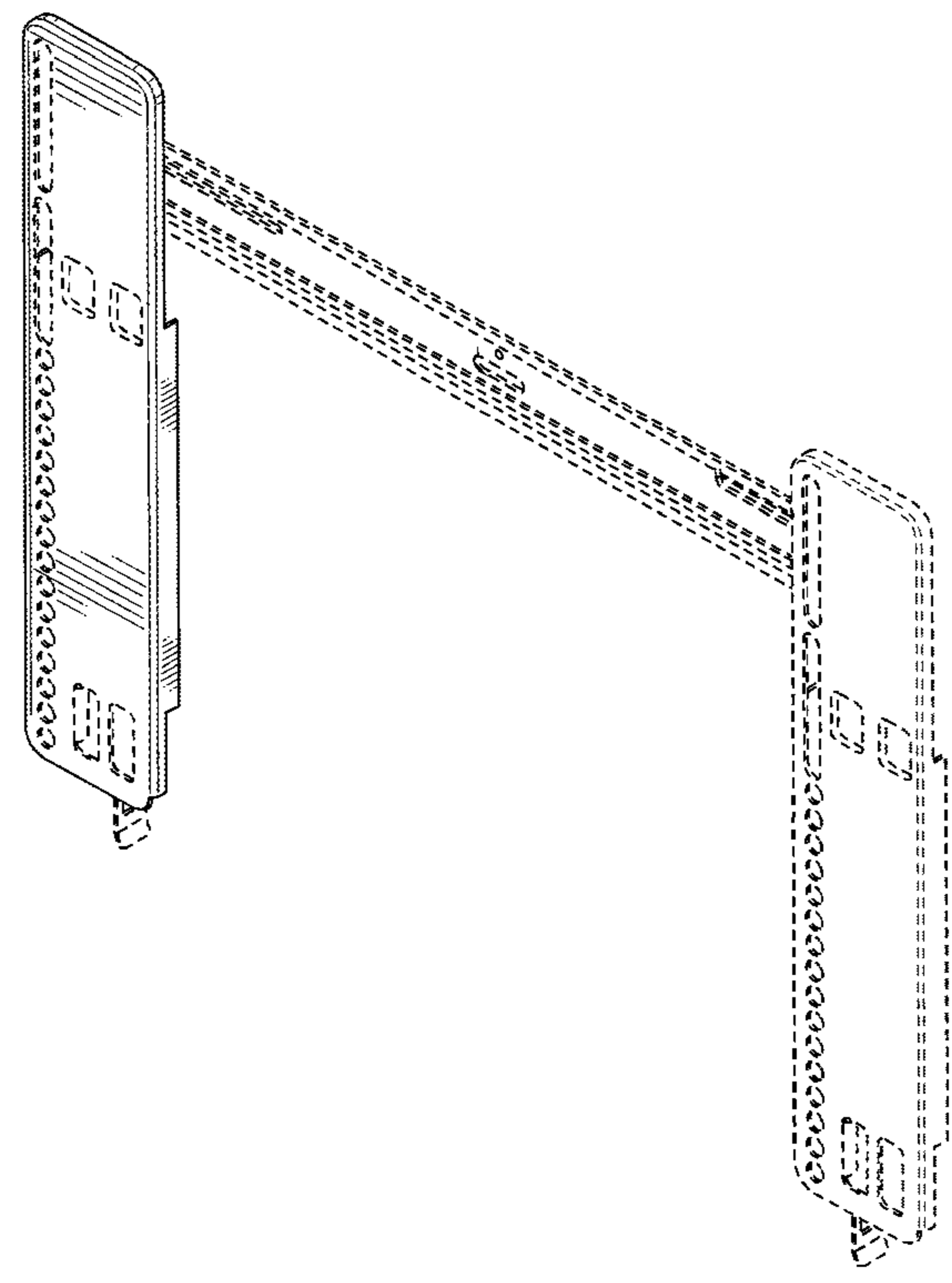


Fig. 1

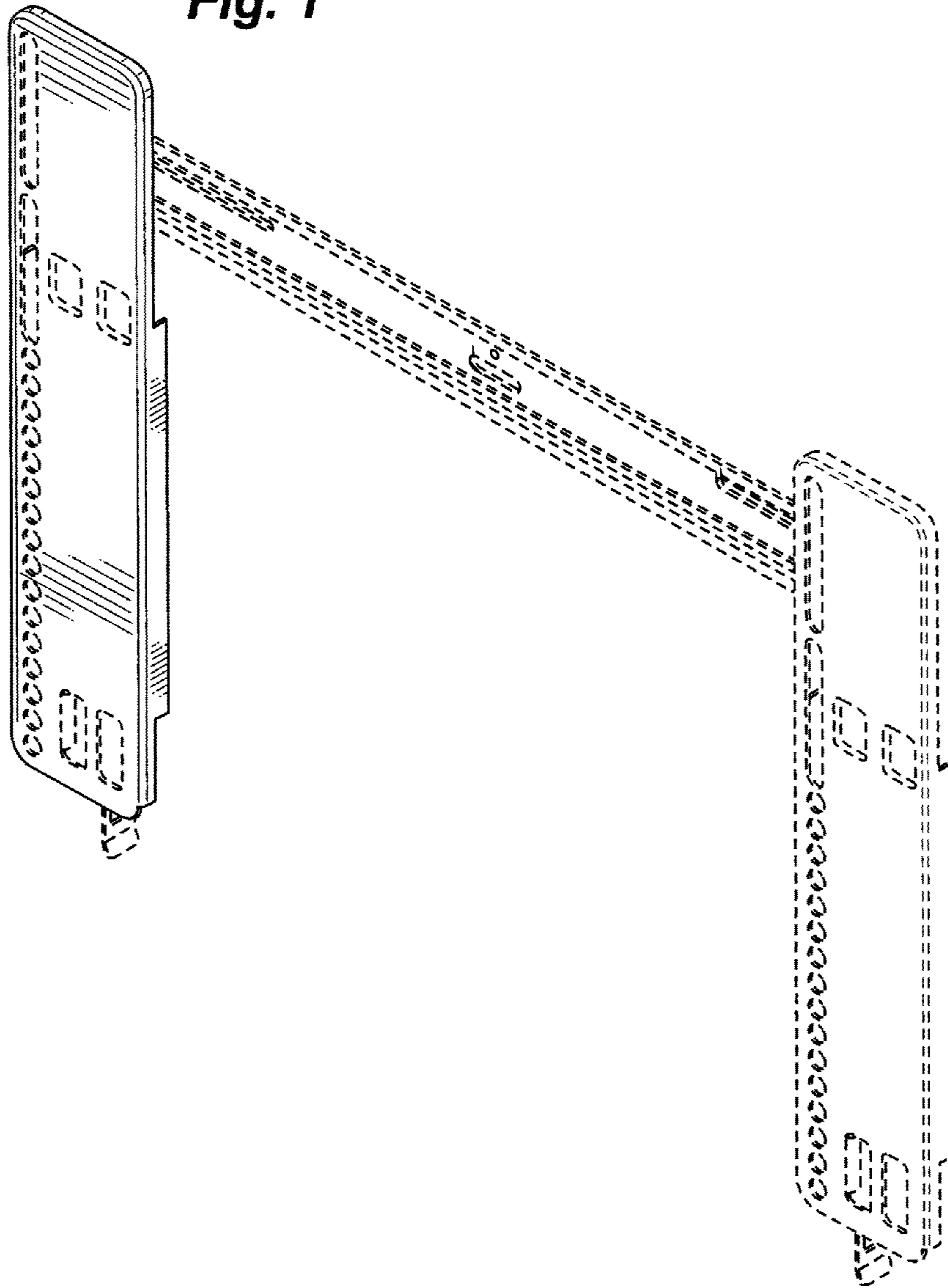


Fig. 2

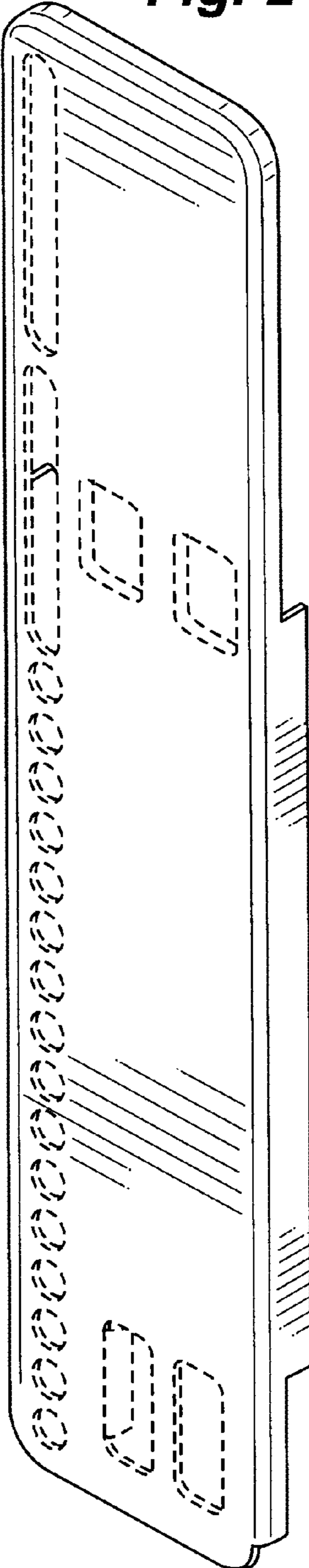


Fig. 3

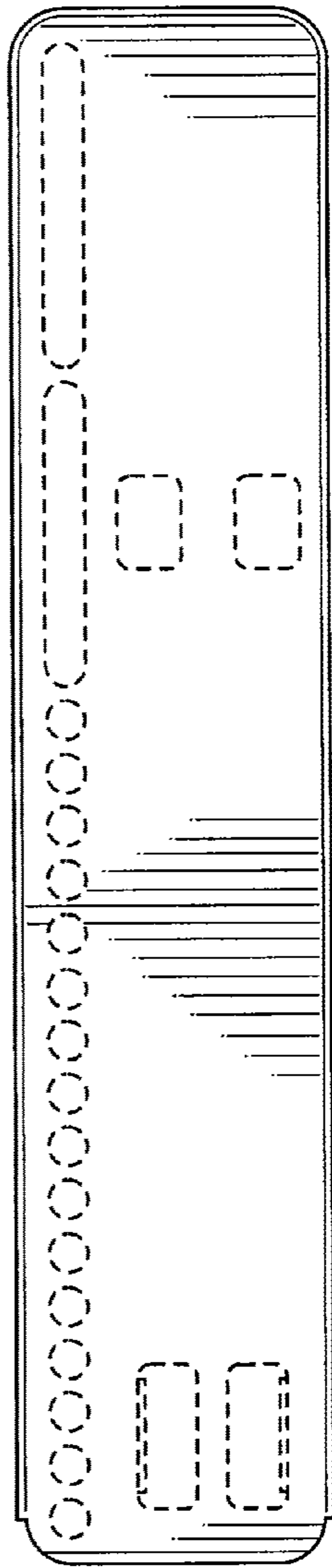


Fig. 4



Fig. 5



Fig. 6

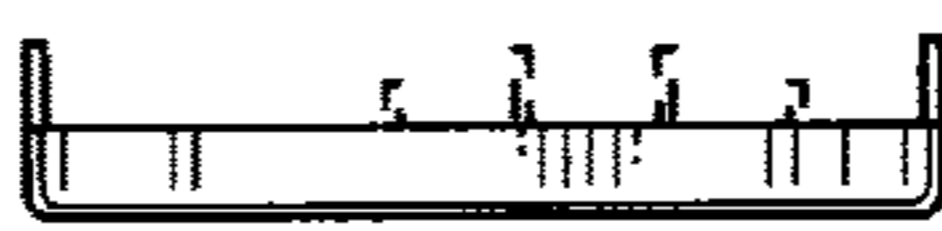


Fig. 7

