

US00D663735S

(12) **United States Design Patent**
Musselman

(10) **Patent No.:** **US D663,735 S**

(45) **Date of Patent:** **** *Jul. 17, 2012**

(54) **MOBILE DEVICE HOLDER**

(75) Inventor: **Bobby Musselman**, Glendale, AZ (US)

(73) Assignee: **Cell Buckle, LLC**, Scottsdale, AZ (US)

(*) Notice: This patent is subject to a terminal disclaimer.

(**) Term: **14 Years**

(21) Appl. No.: **29/386,713**

(22) Filed: **Mar. 3, 2011**

(51) **LOC (9) Cl.** **14-02**

(52) **U.S. Cl.** **D14/447; D14/253**

(58) **Field of Classification Search** D14/447, D14/448, 451, 452, 432, 434, 439, 440, 457, D14/460, 461, 239, 250, 251, 253, 217, 238.1; D3/218; D6/310, 312, 311, 406.3, 406.4, D6/406.5, 406.6, 419; 248/917-924, 688, 248/441.1, 451, 454, 460, 463, 136, 149, 248/150, 164, 166, 176.2, 176.3, 176.1, 346.03, 248/346.3; 361/679.02, 679.09, 679.21, 361/679.22, 379.26, 679.27, 679.28, 679.29, 361/679.3, 679.46, 679.47, 679.48, 679.55, 361/679.56, 679.57, 679.58, 679.59, 679.6; 150/165; 224/929, 930; D13/108; D8/354
See application file for complete search history.

(56) **References Cited**

U.S. PATENT DOCUMENTS

4,527,018 A * 7/1985 Offredi 455/575.1
D286,636 S * 11/1986 Cooke et al. D14/253

4,767,092 A * 8/1988 Weatherly 248/311.2
D375,314 S * 11/1996 Tagliani D14/253
D557,115 S * 12/2007 Zakowski D8/354
D582,918 S * 12/2008 Scott D14/432
D592,669 S * 5/2009 Malisse et al. D14/451
D596,393 S * 7/2009 Leung et al. D3/218
D608,356 S * 1/2010 Peyridieu D14/253
D608,357 S * 1/2010 Peyridieu D14/253
D616,431 S * 5/2010 Hijmans D14/253
D618,692 S * 6/2010 Deutsch et al. D14/447
D630,222 S * 1/2011 Lin D14/447

* cited by examiner

Primary Examiner — Angela J Lee

(74) *Attorney, Agent, or Firm* — Wright Law Group, PLLC; Mark F. Wright

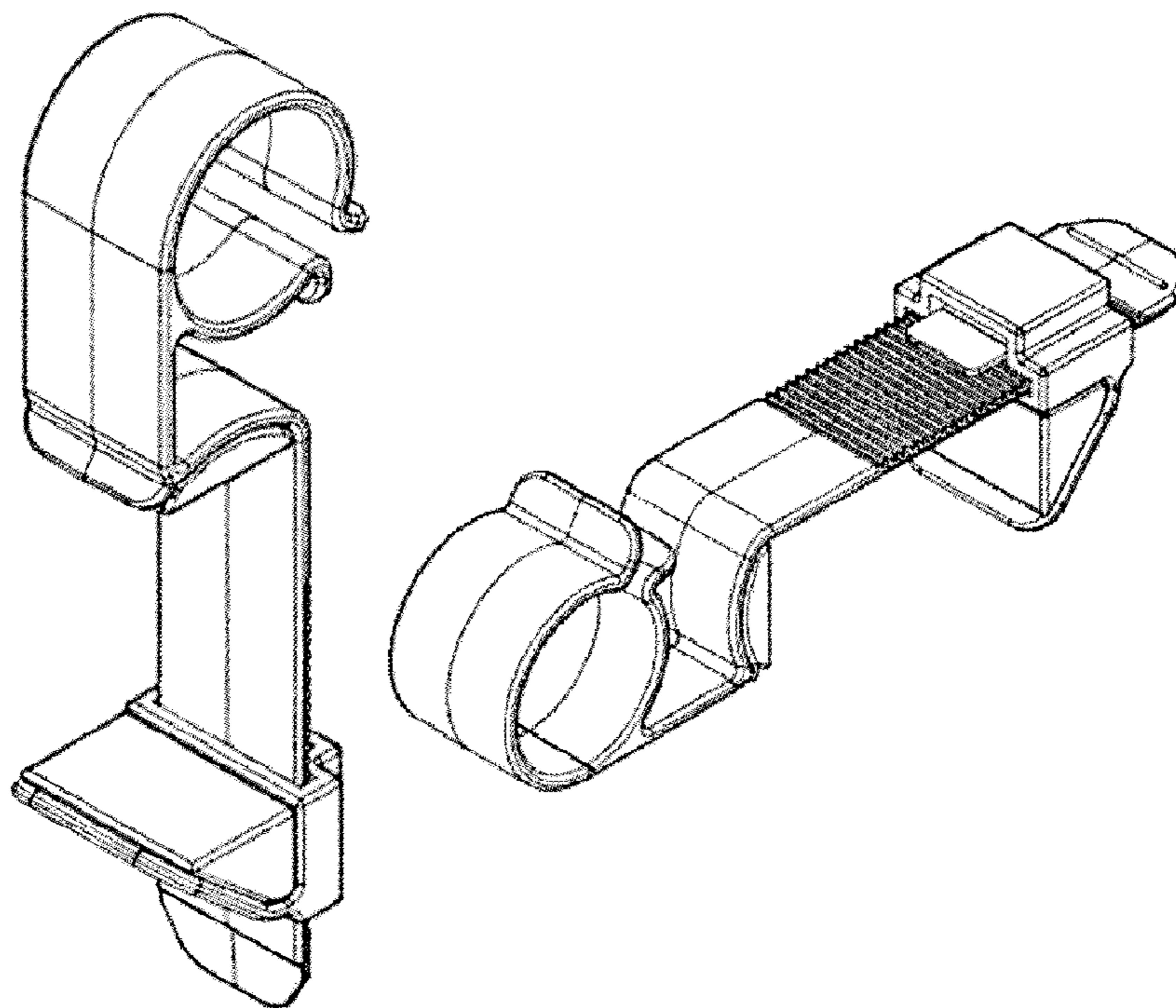
(57) **CLAIM**

The ornamental design for a mobile device holder, as shown and described.

DESCRIPTION

FIG. 1 is a rear and right side perspective view of a mobile device holder showing the new design;
FIG. 2 is a rear view of a mobile device holder showing the new design;
FIG. 3 is a front and right side perspective view of a mobile device holder showing the new design;
FIG. 4 is another rear and right side perspective view of a mobile device holder showing the new design;
FIG. 5 is a left side view of a mobile device holder showing the new design; and,
FIG. 6 is a right side view of a mobile device holder showing the new design.

1 Claim, 2 Drawing Sheets



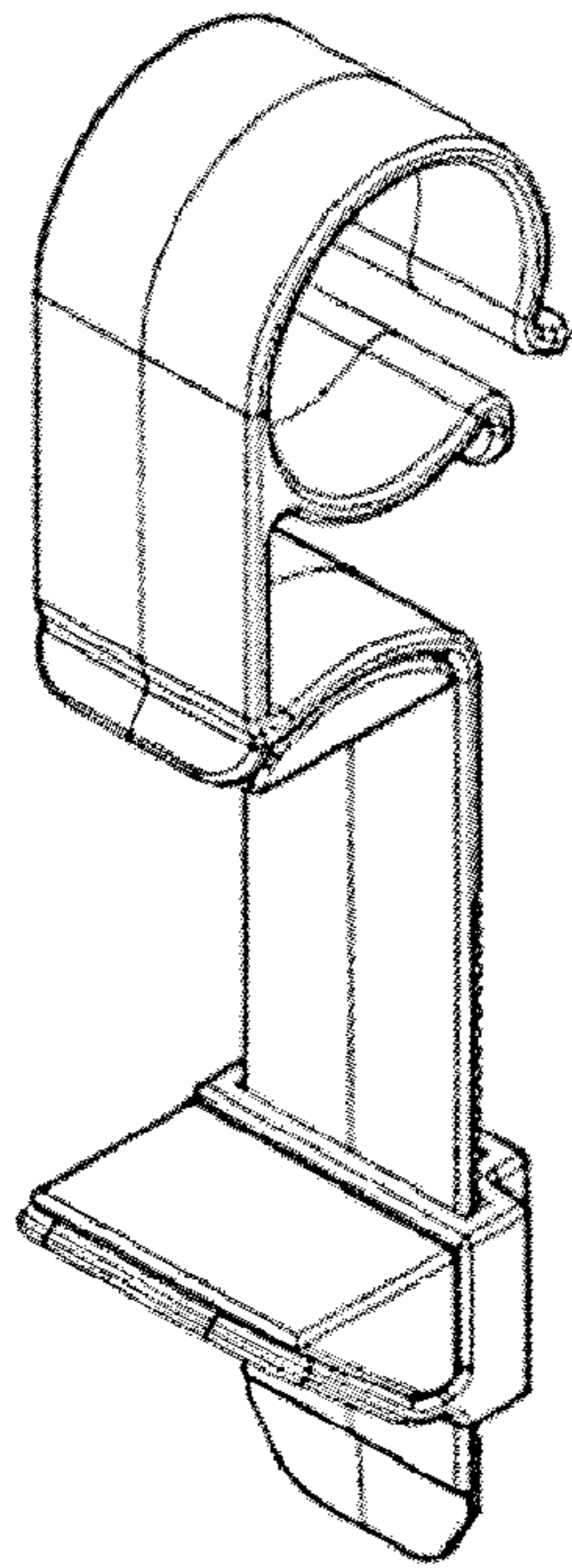


FIG. 1

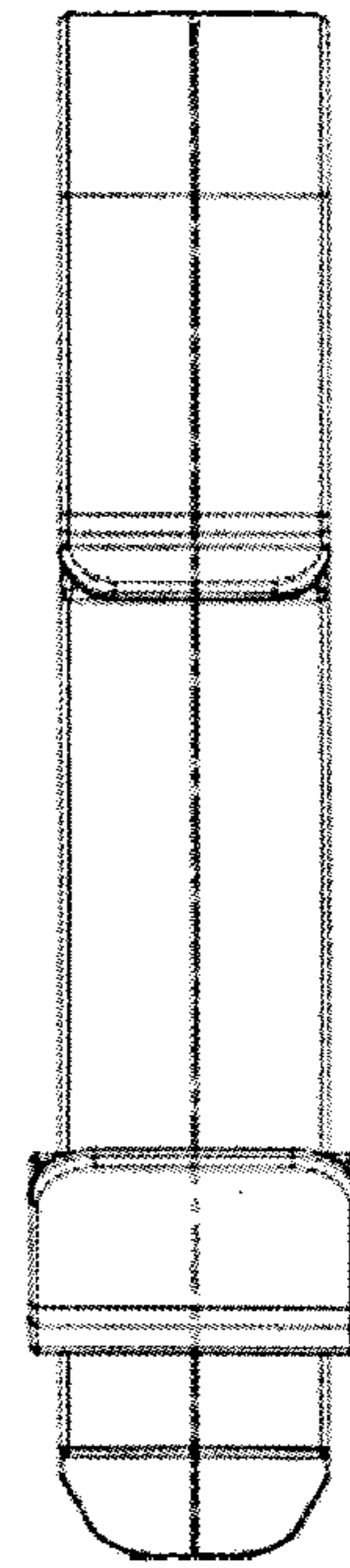


FIG. 2

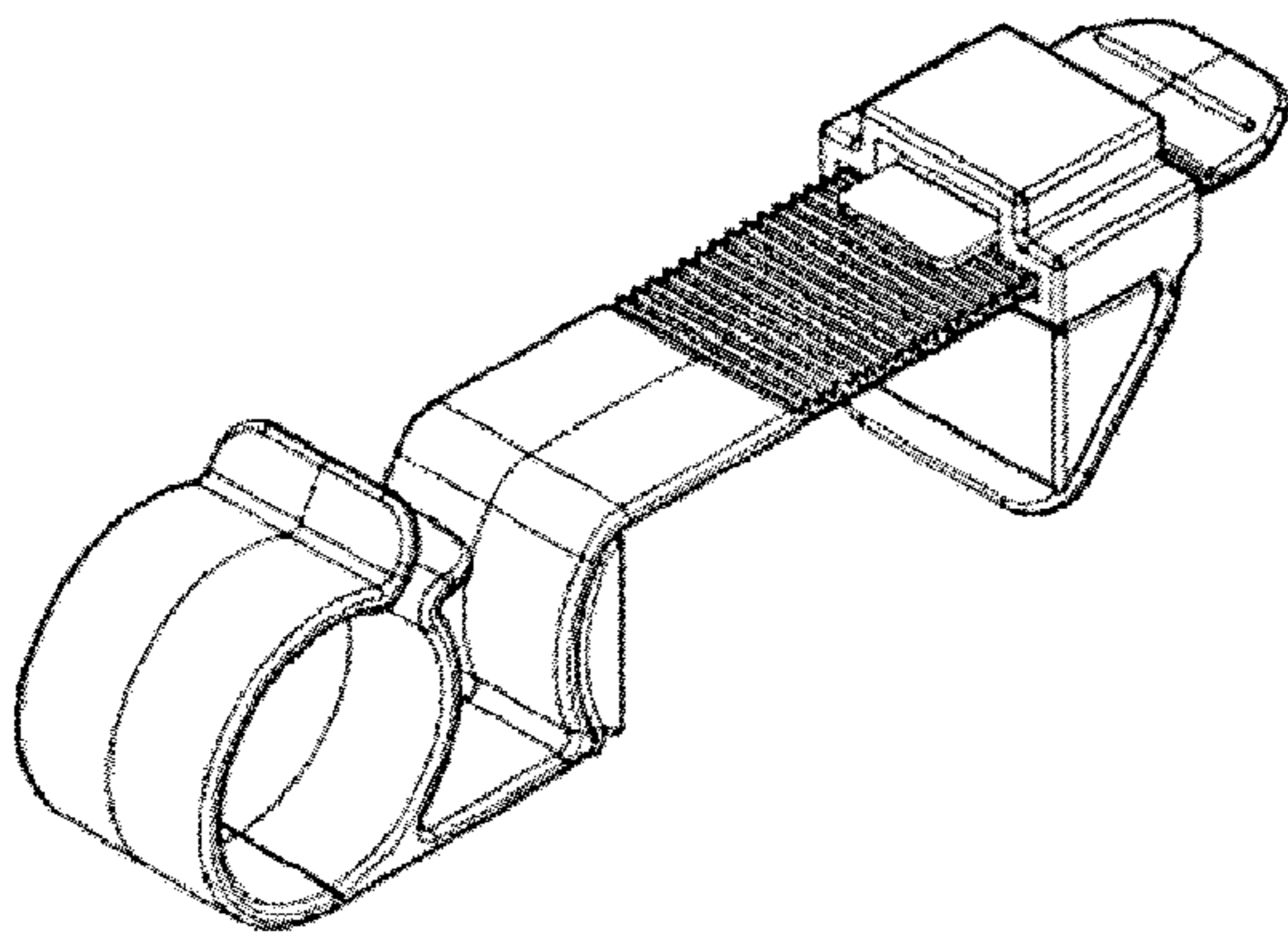


FIG. 3

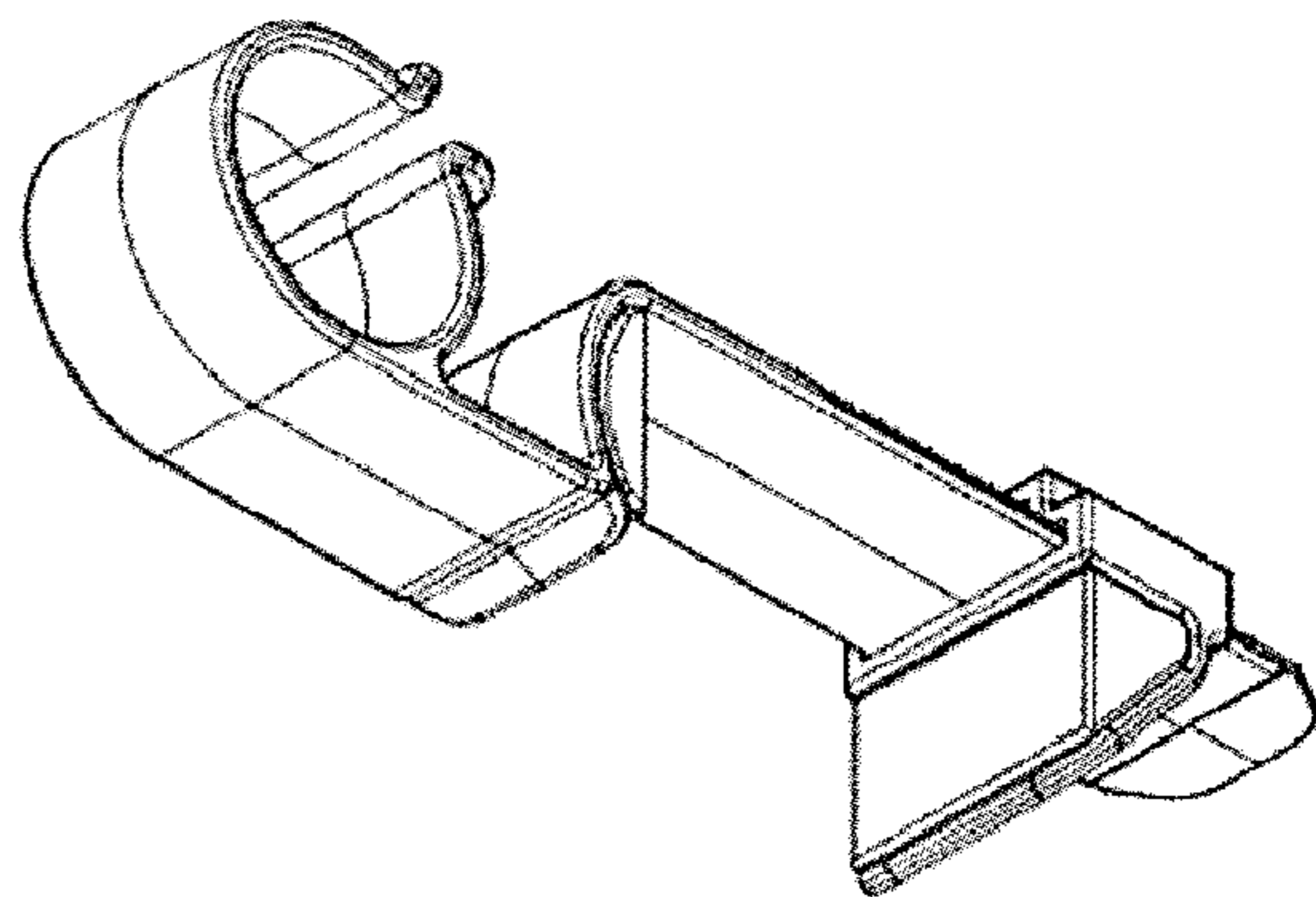


FIG. 4

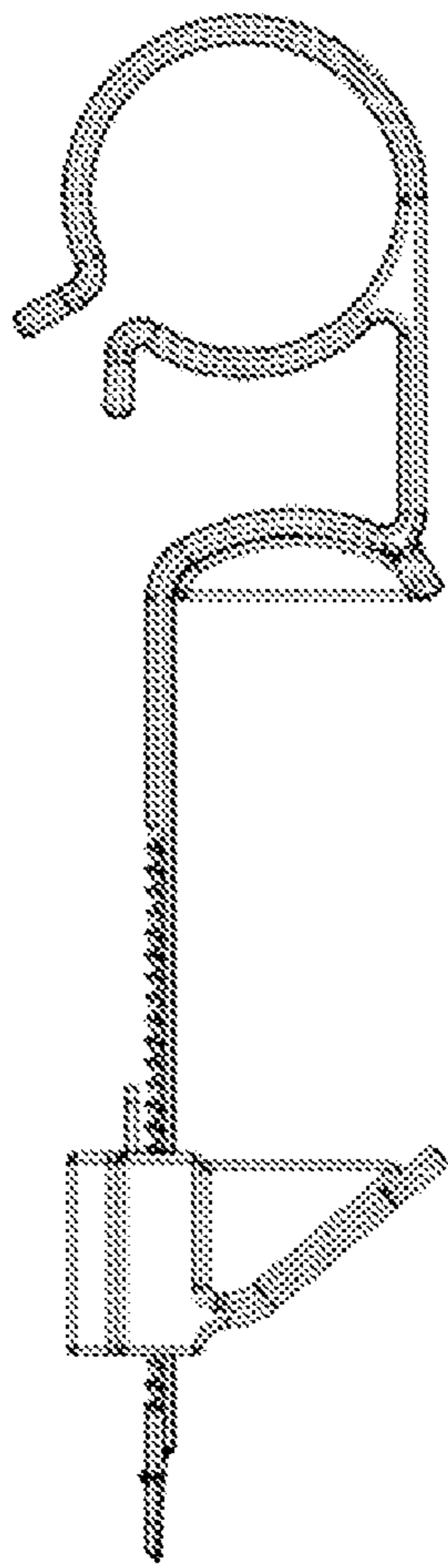


FIG. 5

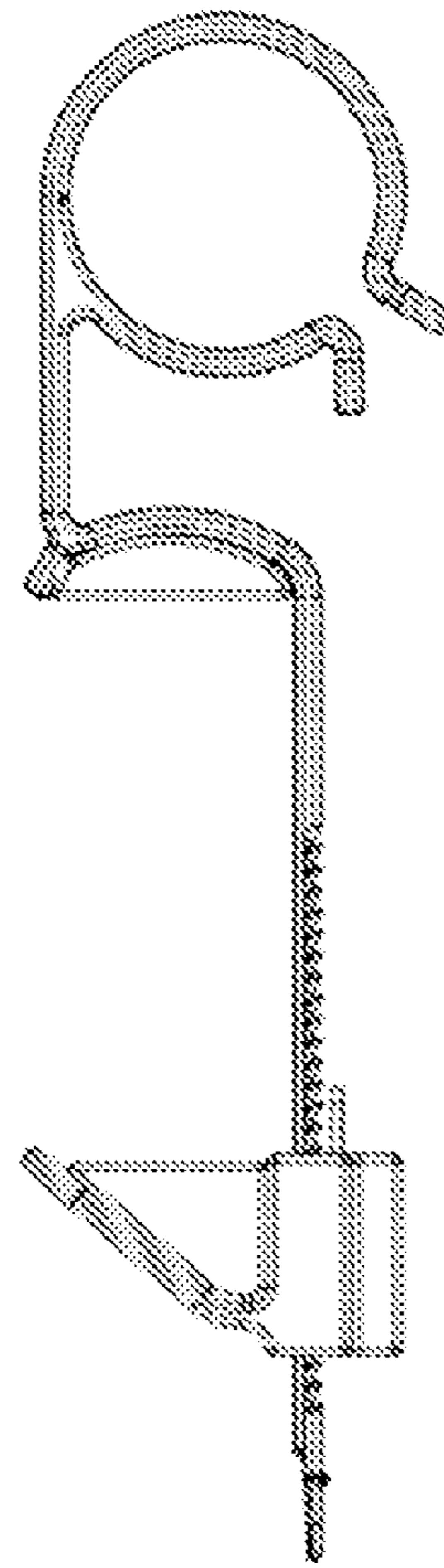


FIG. 6