

US00D663732S

(12) **United States Design Patent**
Desmarais et al.

(10) **Patent No.:** **US D663,732 S**
(45) **Date of Patent:** **** Jul. 17, 2012**

(54) **CONNECTIVITY PLATFORM**

(75) Inventors: **Normand Desmarais**, Cumberland, RI (US); **Aaron Tang**, Somerville, MA (US)

(73) Assignee: **Siemens Healthcare Diagnostics, Inc.**, Tarrytown, NY (US)

(**) Term: **14 Years**

(21) Appl. No.: **29/342,967**

(22) Filed: **Sep. 3, 2009**

(51) **LOC (9) Cl.** **14-02**

(52) **U.S. Cl.** **D14/434; D24/107**

(58) **Field of Classification Search** D14/356-358, D14/432-464; D18/4.4-4.6, 12; D22/107, D22/185, 186, 158, 216, 231, 232, 233; 361/679.41, 361/679.55, 679.56, 679.6; 439/374, 159
See application file for complete search history.

(56) **References Cited**

U.S. PATENT DOCUMENTS

D307,587 S *	5/1990	Marcune	D14/159
D332,254 S *	1/1993	Hofland et al.	D14/356
D338,730 S *	8/1993	Bible	D24/167
D342,487 S *	12/1993	Iino	D14/434
D356,782 S *	3/1995	Leman	D14/434
D362,241 S *	9/1995	Youens et al.	D14/434
D366,034 S *	1/1996	Youens et al.	D14/434
D366,469 S *	1/1996	Youens	D14/434
5,535,093 A *	7/1996	Noguchi et al.	361/679.43
D372,901 S *	8/1996	Chu	D14/434
D394,645 S *	5/1998	Inoue	D14/434
D423,473 S *	4/2000	Iwamoto	D14/434
D470,849 S *	2/2003	Bertagnole et al.	D14/434
D471,558 S *	3/2003	Wada	D14/434
D489,816 S *	5/2004	Ross	D24/107
D580,441 S *	11/2008	Mori	D14/434
D583,820 S *	12/2008	O'Shea	D14/434
7,601,544 B2 *	10/2009	Rehm	436/164
D616,890 S *	6/2010	Lewandowski et al.	D14/434

D623,188 S *	9/2010	Son et al.	D14/434
D623,189 S *	9/2010	Son et al.	D14/434
D624,919 S *	10/2010	Bull	D14/434
D626,558 S *	11/2010	Julien	D14/434
7,847,946 B2 *	12/2010	Krauth	356/445
7,978,466 B2 *	7/2011	Lewandowski et al.	361/679.41
2002/0008959 A1 *	1/2002	Helot	361/683

FOREIGN PATENT DOCUMENTS

JP	D1162951	11/2002
JP	D1162952	11/2002
JP	D1269849	3/2006
JP	D1269850	3/2006
JP	D1269851	3/2006
JP	D1275315	5/2006
JP	D1313370	9/2007
JP	D1313550	9/2007
JP	D1327675	3/2008
JP	D1330327	4/2008

* cited by examiner

Primary Examiner — Deanna Fluegeman

(74) *Attorney, Agent, or Firm* — Noam R. Pollack

(57) **CLAIM**

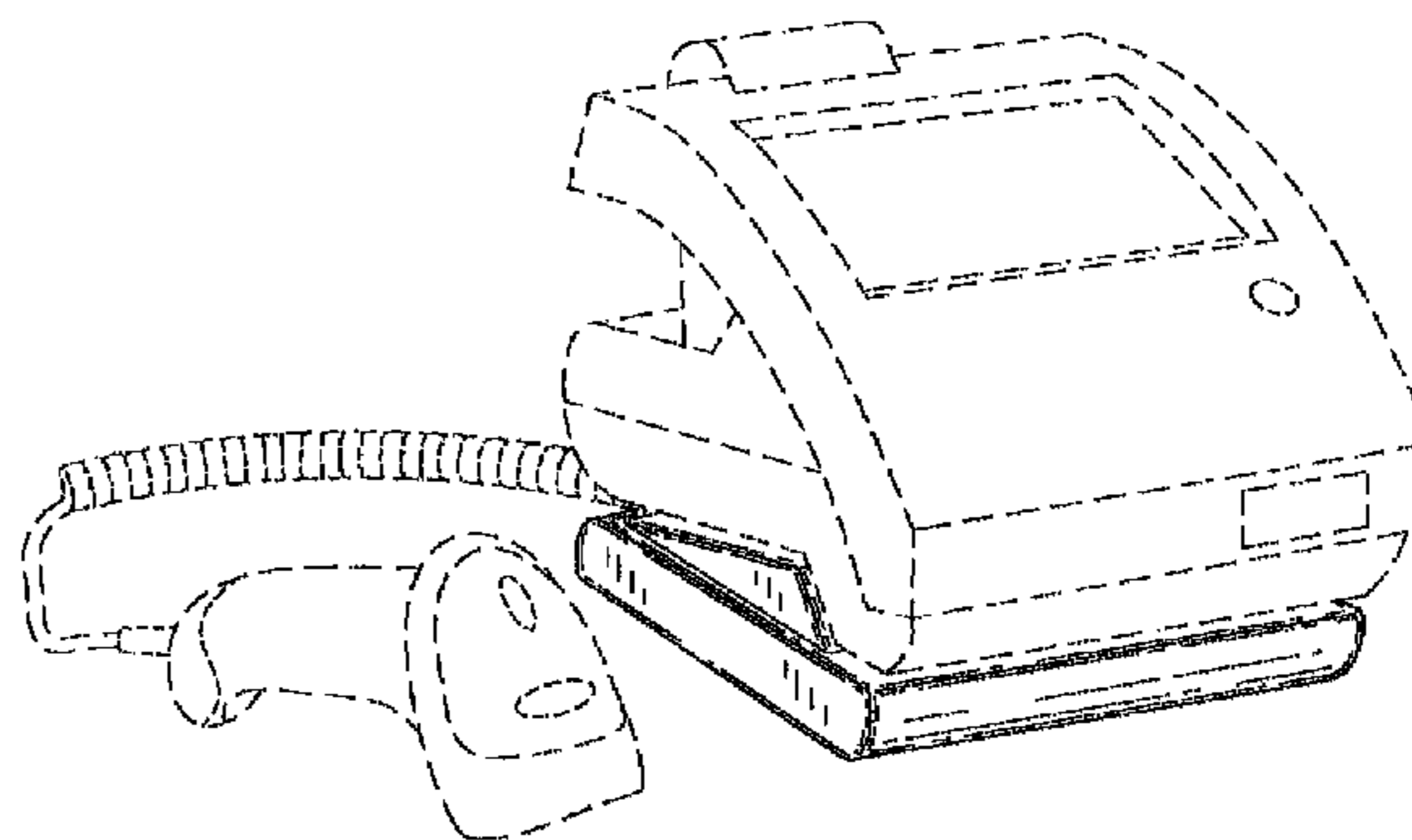
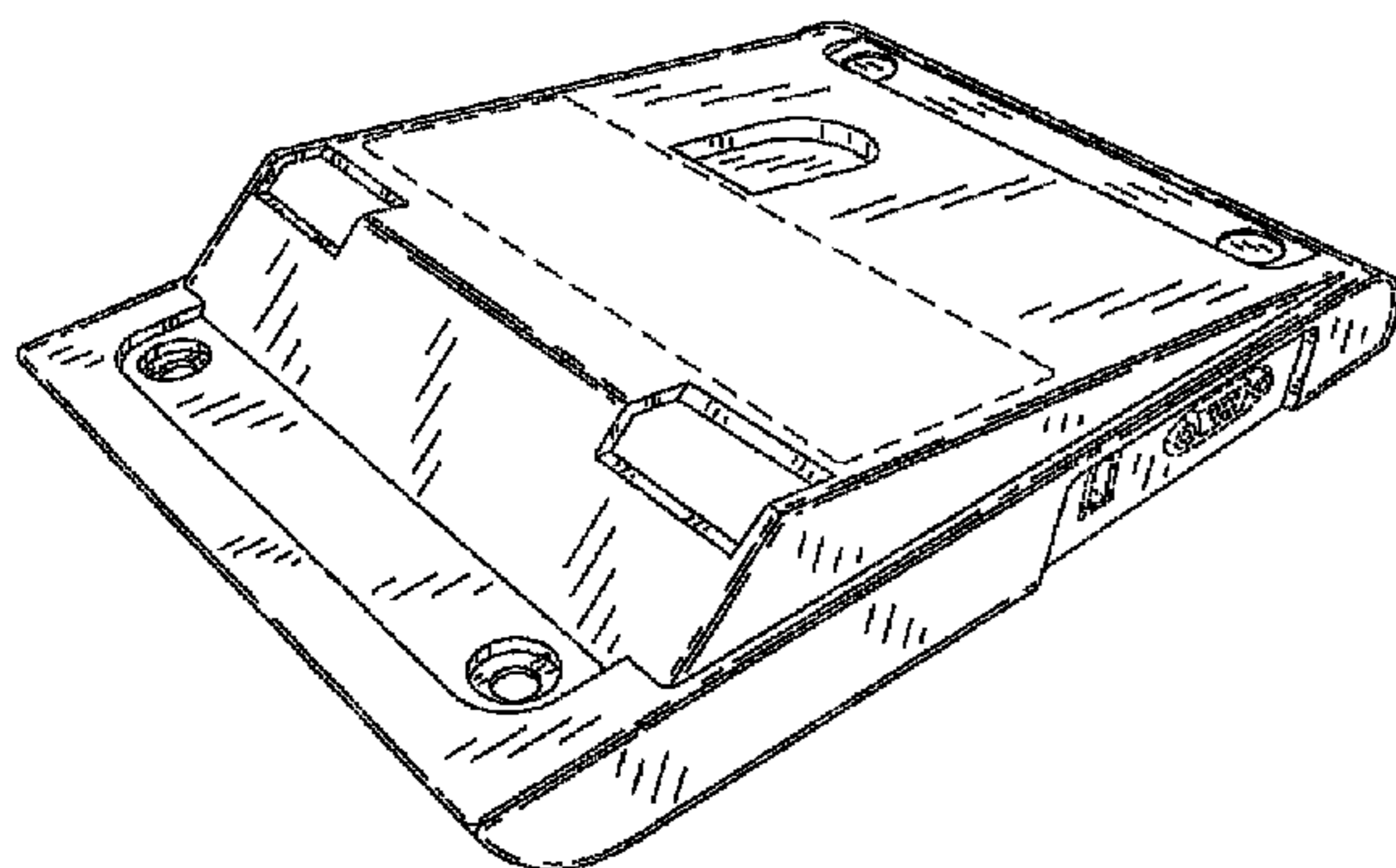
The ornamental design for a connectivity platform, as shown and described.

DESCRIPTION

FIG. 1 is a front perspective view of a connectivity platform, showing our new design; FIG. 2 is a top perspective view thereof; FIG. 3 is a rear perspective view thereof; FIG. 4 is a right bottom perspective view; and, FIG. 5 is a front perspective view thereof.

The broken lines in FIGS. 1-4 illustrate unclaimed portions of the connectivity platform and form no part of the claimed design. The broken line showing of the analyzer in FIG. 5 illustrates the unclaimed environment of the claimed design and forms no part thereof.

1 Claim, 5 Drawing Sheets



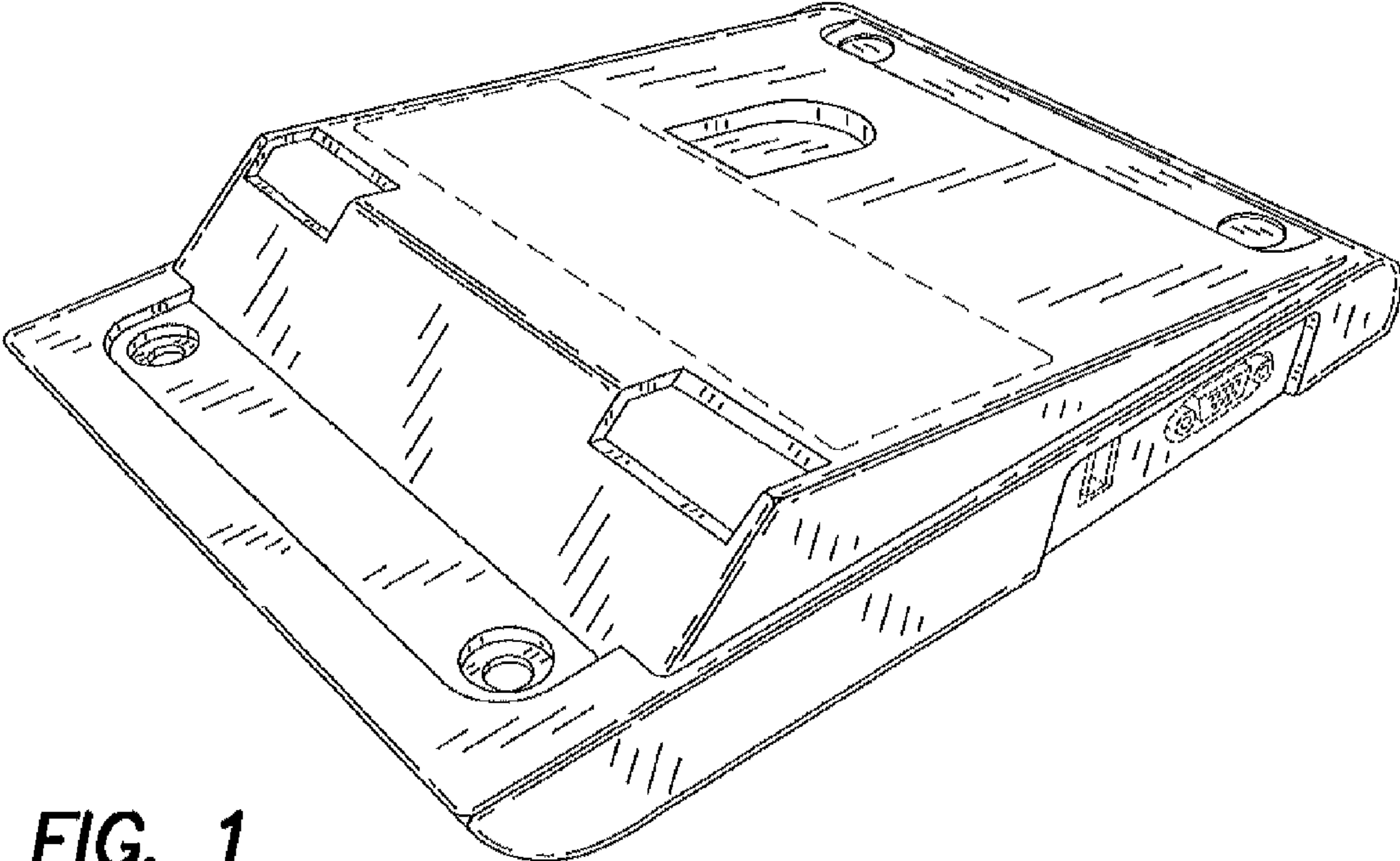


FIG. 1

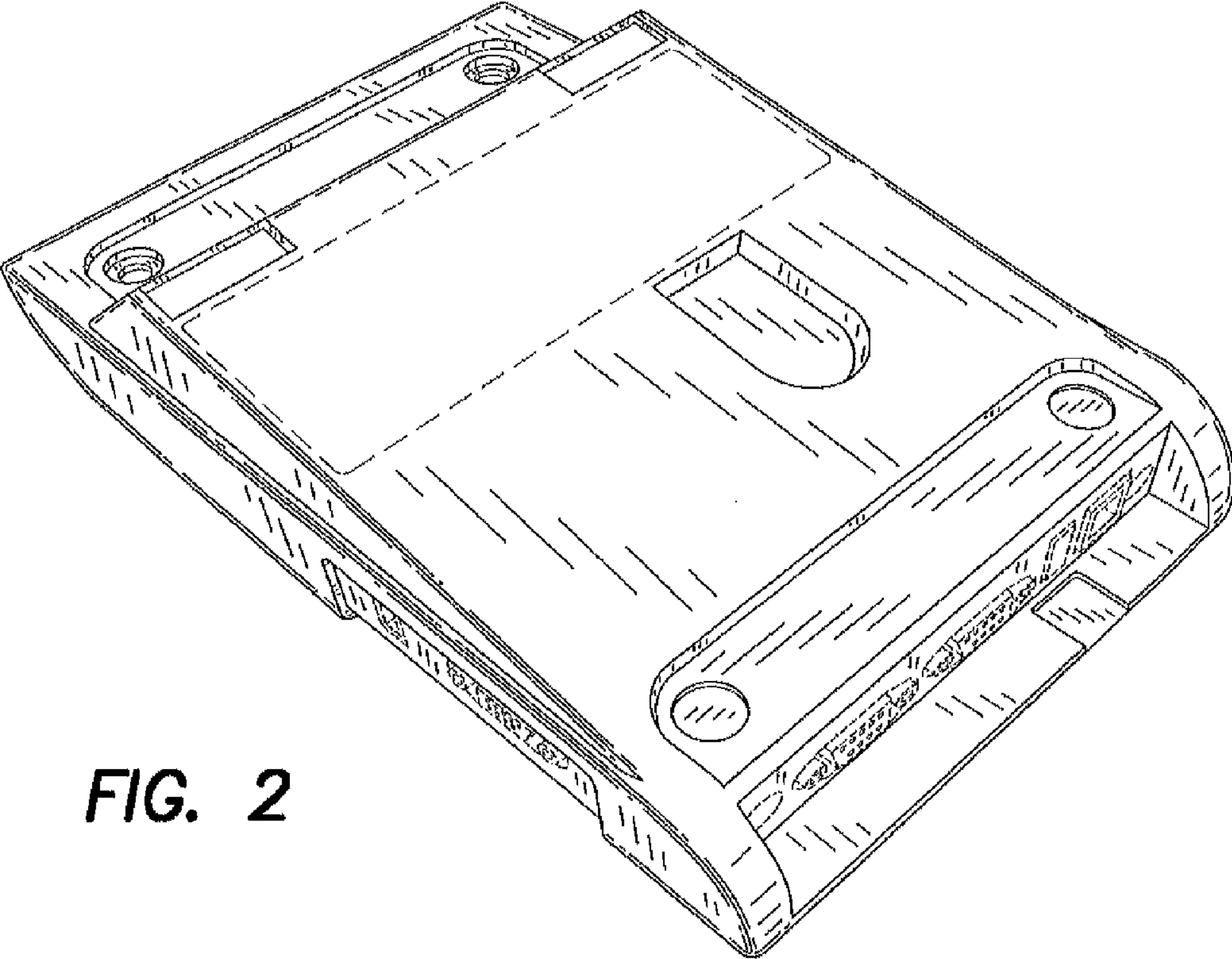


FIG. 2

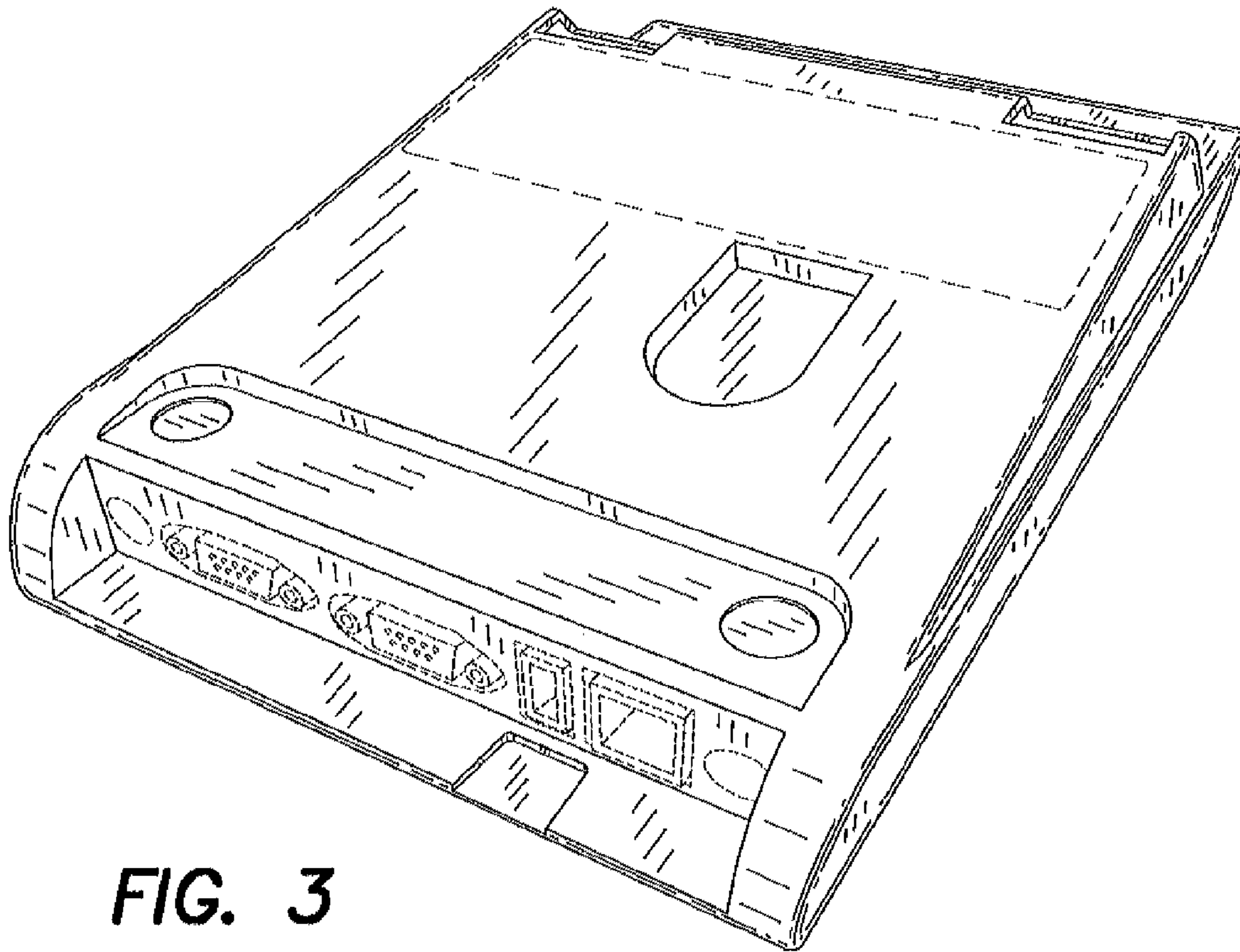


FIG. 3

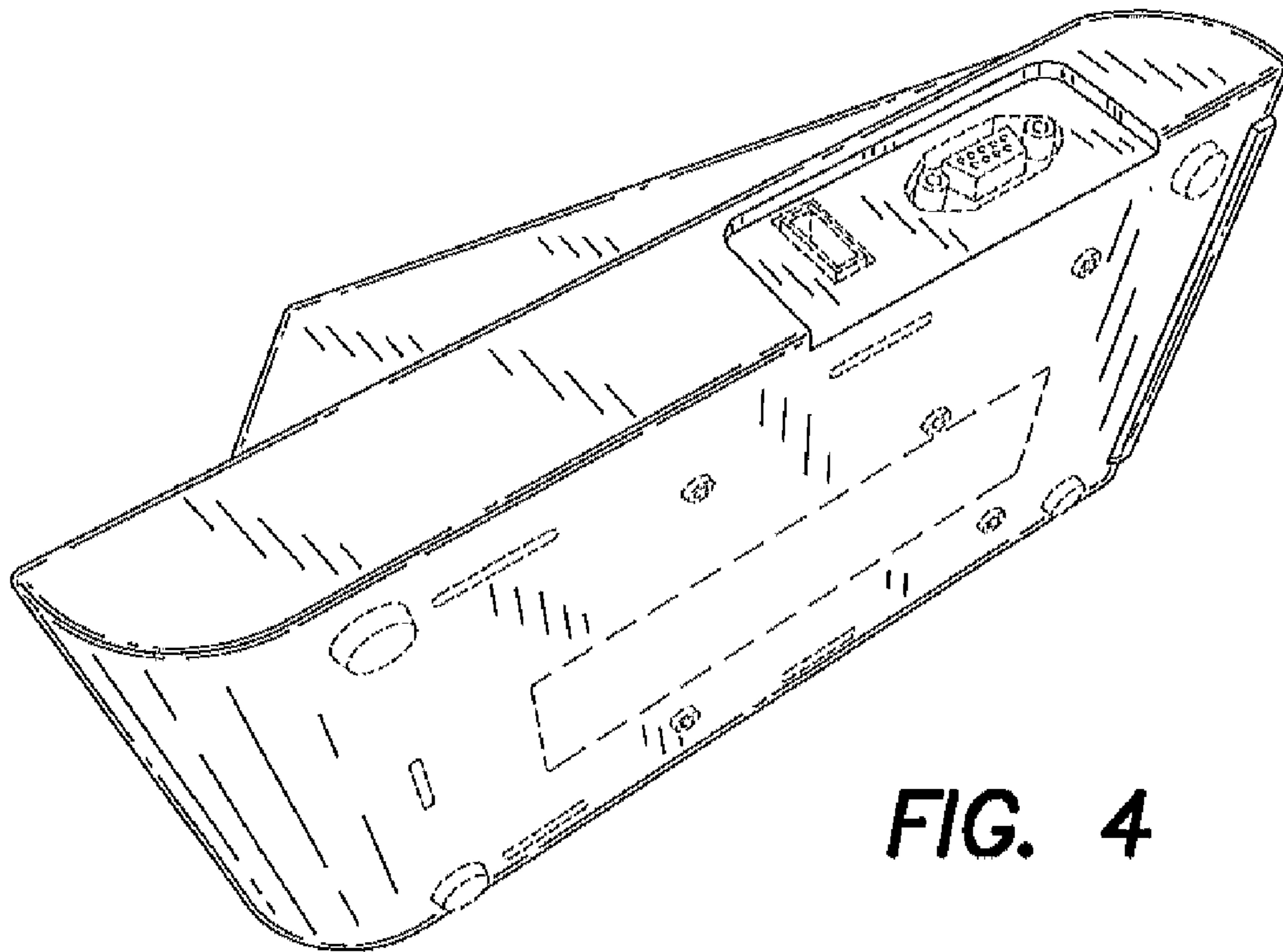


FIG. 4

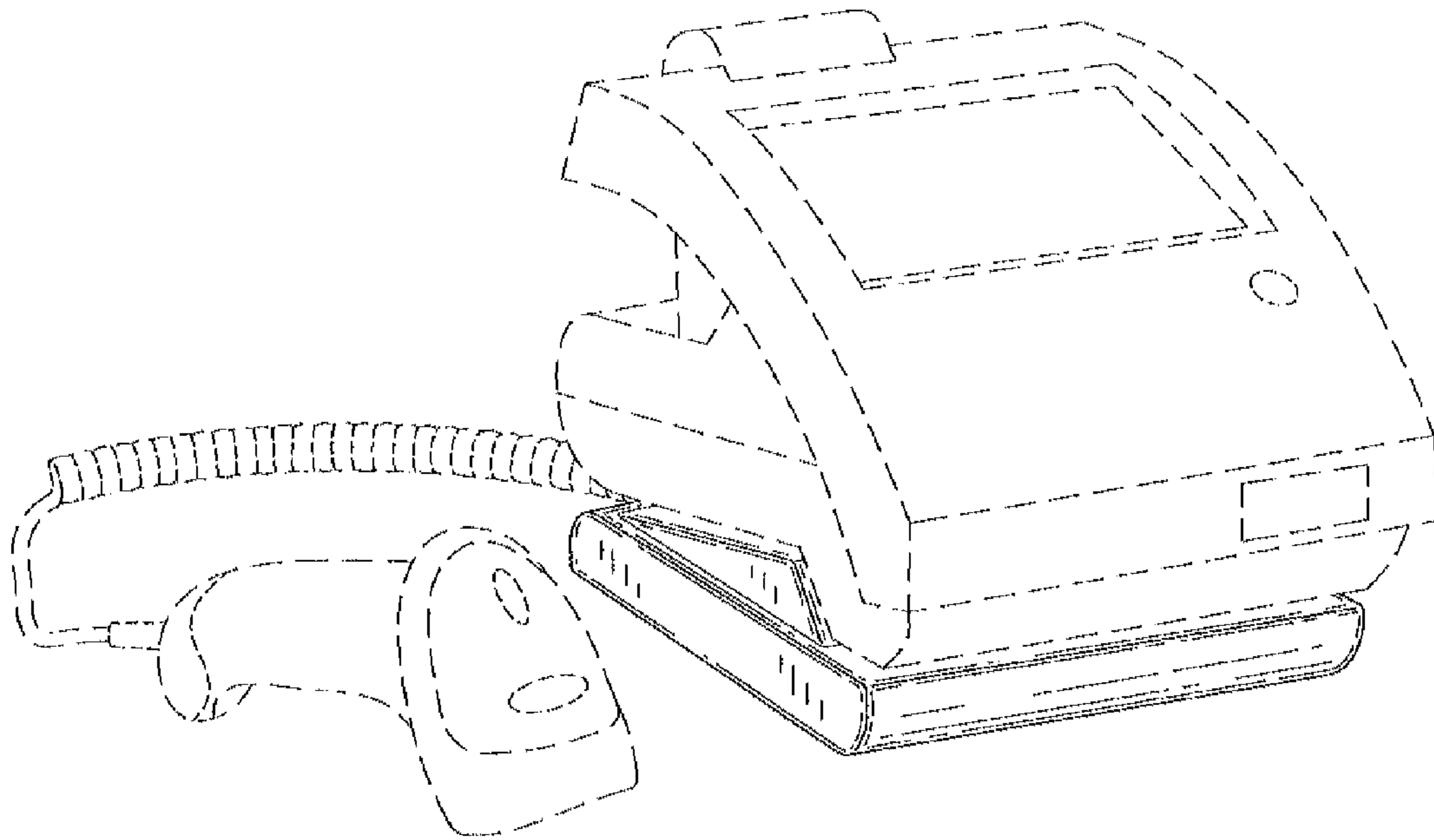


FIG. 5