



US00D663731S

(12) **United States Design Patent**
Pajic

(10) **Patent No.:** **US D663,731 S**
(45) **Date of Patent:** **** Jul. 17, 2012**

(54) **COMPUTER MOUSE WITH ARC SWITCHES**

(76) Inventor: **Nick Pajic**, Henderson, NV (US)

(**) Term: **14 Years**

(21) Appl. No.: **29/412,021**

(22) Filed: **Jan. 29, 2012**

(51) **LOC (9) Cl.** **14-02**

(52) **U.S. Cl.** **D14/408**

(58) **Field of Classification Search** D14/402-411,
D14/356, 388, 389, 383-385, 417, 426;
345/156-167; 463/36-38; 358/471, 473;
273/148 B

See application file for complete search history.

(56) **References Cited**

U.S. PATENT DOCUMENTS

D433,413	S	*	11/2000	Rozenberg et al.	D14/402
D437,854	S	*	2/2001	Han et al.	D14/402
D438,208	S	*	2/2001	Jones et al.	D14/402
D442,592	S	*	5/2001	Ledbetter et al.	D14/402
D450,321	S	*	11/2001	Fisher et al.	D14/402
D450,698	S	*	11/2001	Fisher et al.	D14/402
D450,699	S	*	11/2001	Fisher et al.	D14/402
D451,098	S	*	11/2001	Fisher et al.	D14/402

* cited by examiner

Primary Examiner — Austin Murphy

(74) *Attorney, Agent, or Firm* — Lightbulb IP, LLC

(57) **CLAIM**

The ornamental design for a computer mouse with arc switches, as shown and described.

DESCRIPTION

FIG. 1 is an isometric view of a computer mouse with arc switches, the broken line of which is for illustrative purposes only and forms no part of the claimed design.

FIG. 2 is a front view of a computer mouse with arc switches, the broken line of which is for illustrative purposes only and forms no part of the claimed design.

FIG. 3 is a back view of a computer mouse with arc switches. FIG. 4 is a left view of a computer mouse with arc switches, the broken line of which is for illustrative purposes only and forms no part of the claimed design.

FIG. 5 is a right view of a computer mouse with arc switches, the broken line of which is for illustrative purposes only and forms no part of the claimed design.

FIG. 6 is a top view of a computer mouse with arc switches, the broken line of which is for illustrative purposes only and forms no part of the claimed design.

FIG. 7 is a bottom view of a computer mouse with arc switches, the broken line of which is for illustrative purposes only and forms no part of the claimed design.

FIG. 8 is an isometric view of a computer mouse with arc switches.

FIG. 9 is a front view of a computer mouse with arc switches.

FIG. 10 is a back view of a computer mouse with arc switches.

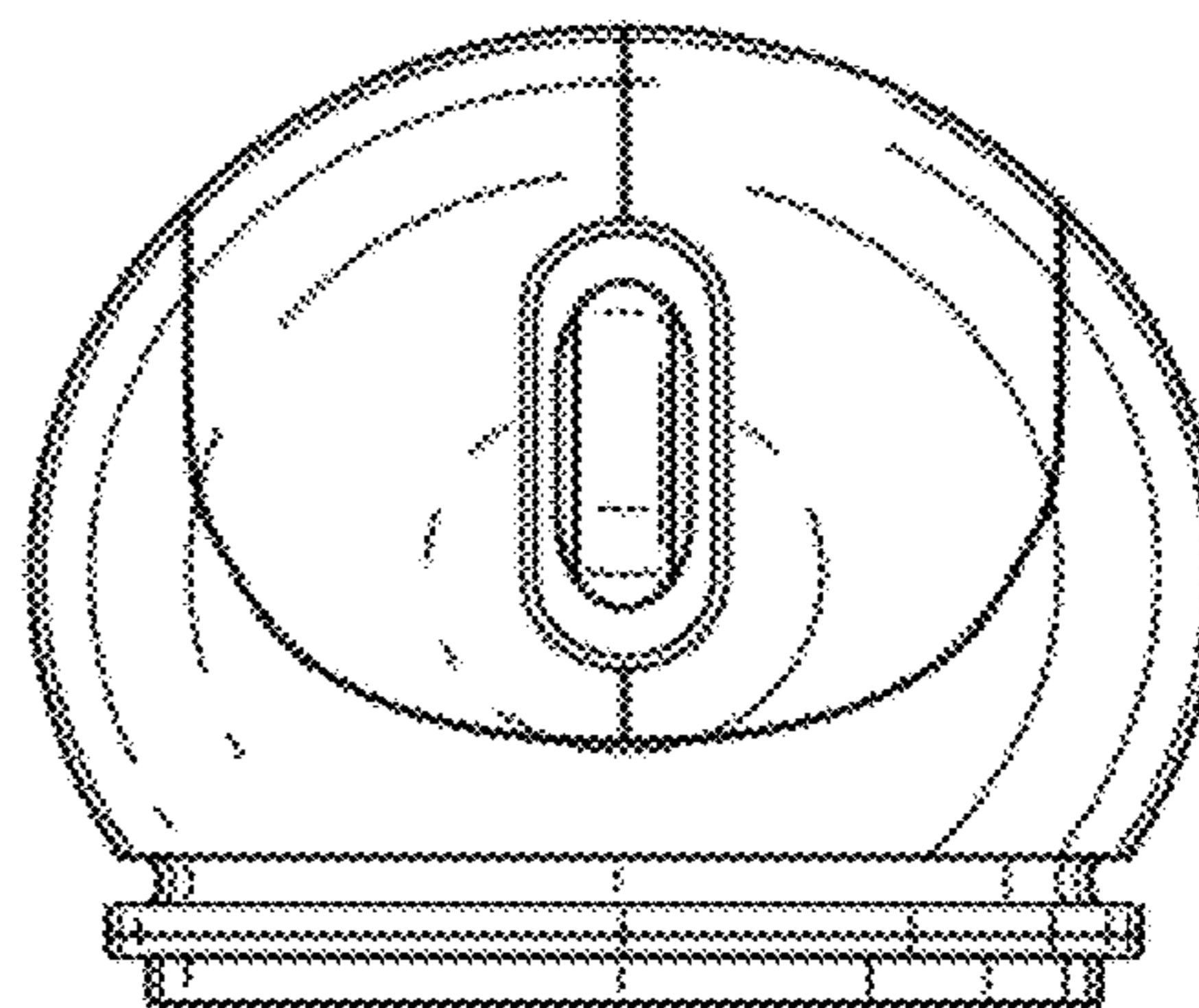
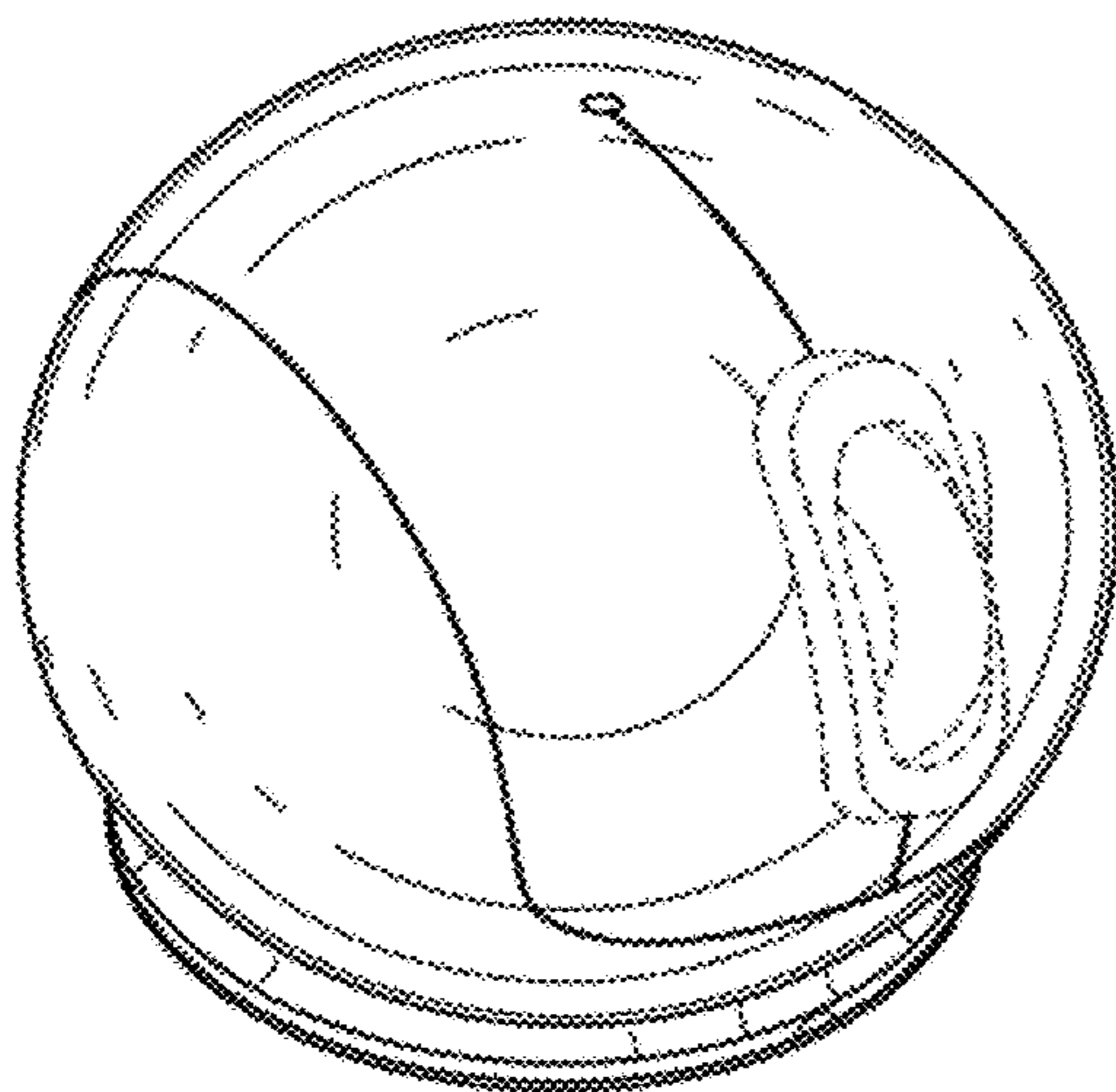
FIG. 11 is a left view of a computer mouse with arc switches.

FIG. 12 is a right view of a computer mouse with arc switches.

FIG. 13 is a top view of a computer mouse with arc switches; and,

FIG. 14 is a bottom view of a computer mouse with arc switches, the broken line of which is for illustrative purposes only and forms no part of the claimed design.

1 Claim, 6 Drawing Sheets



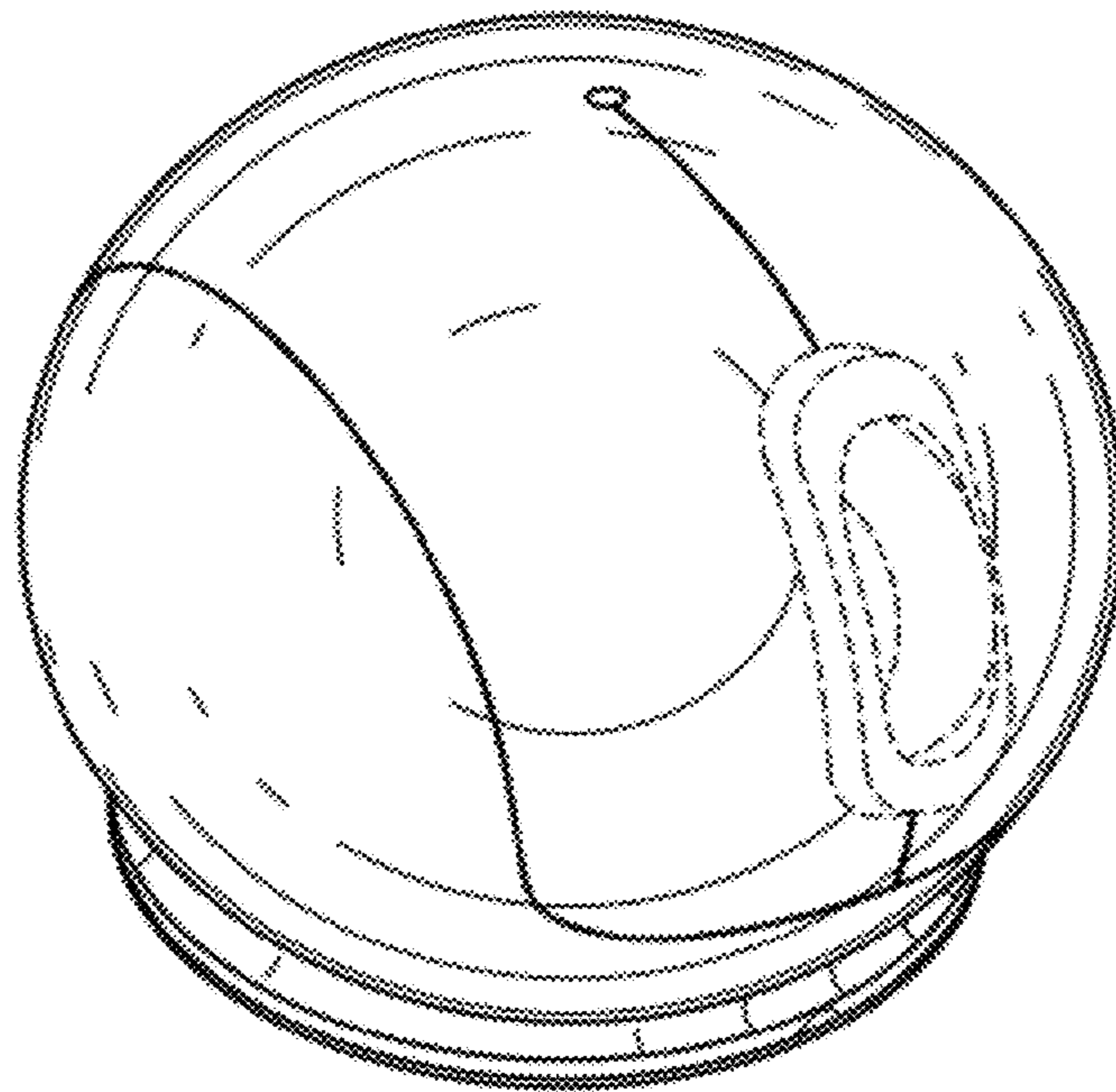


FIG. 1

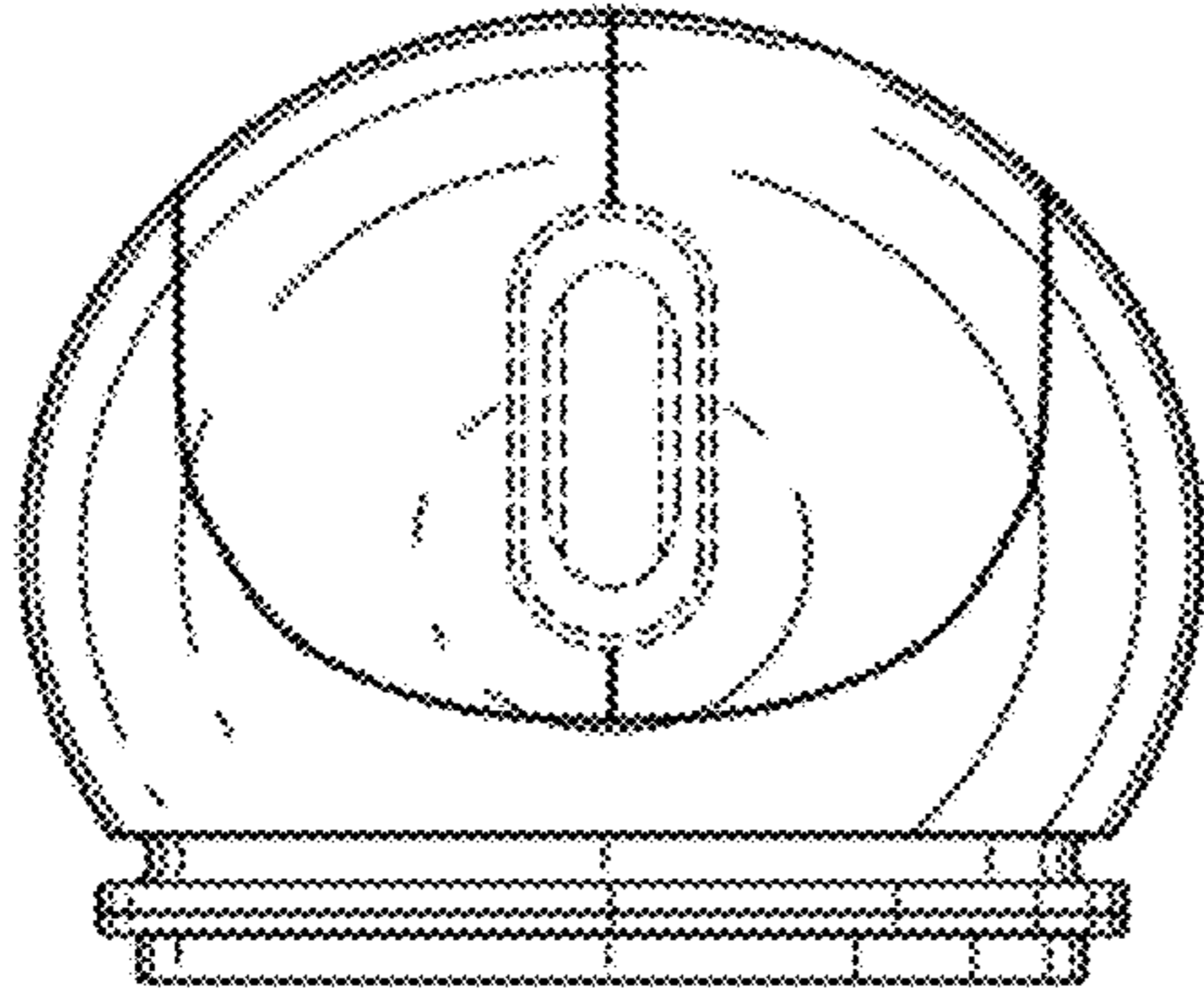


FIG. 2

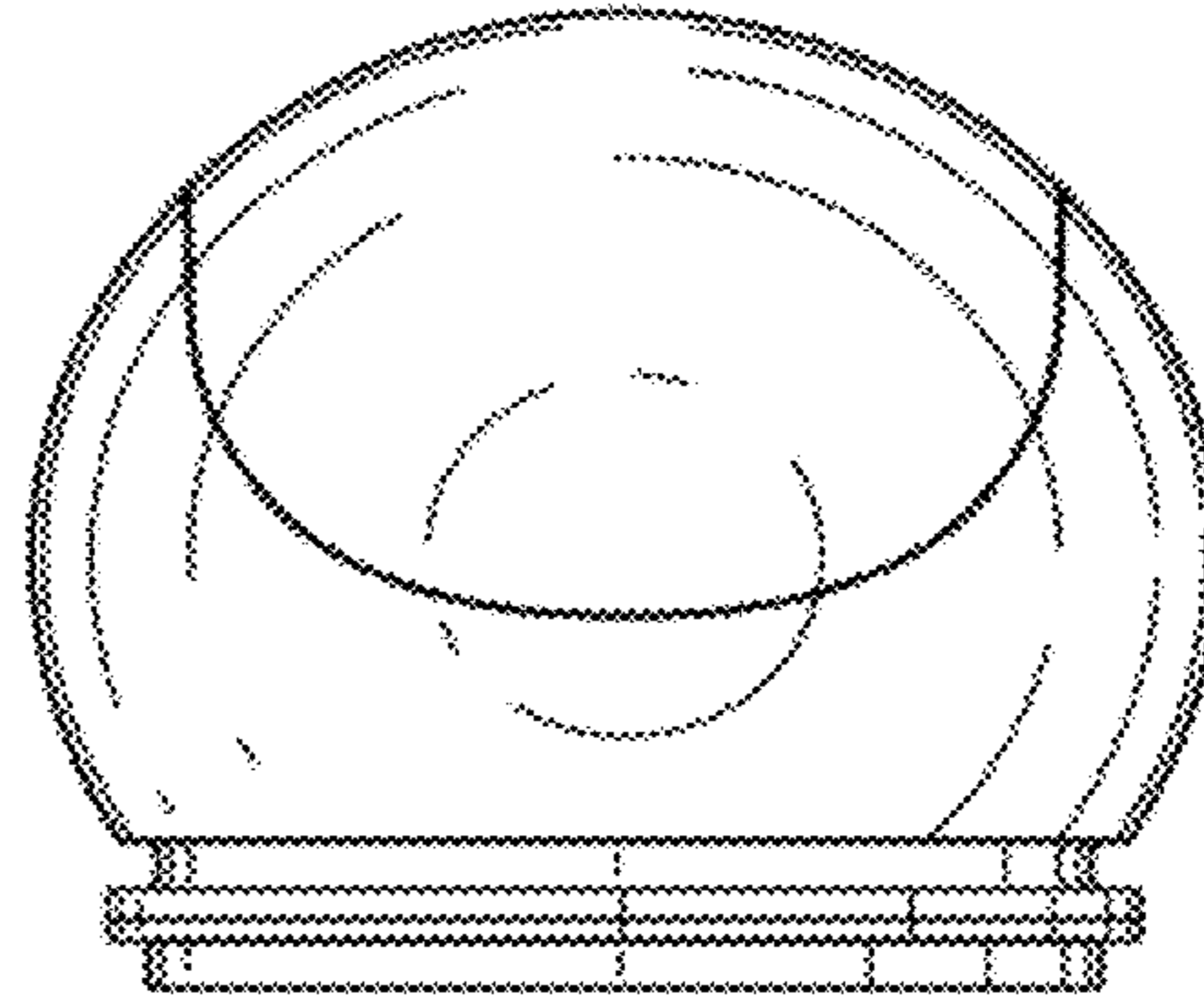


FIG. 3

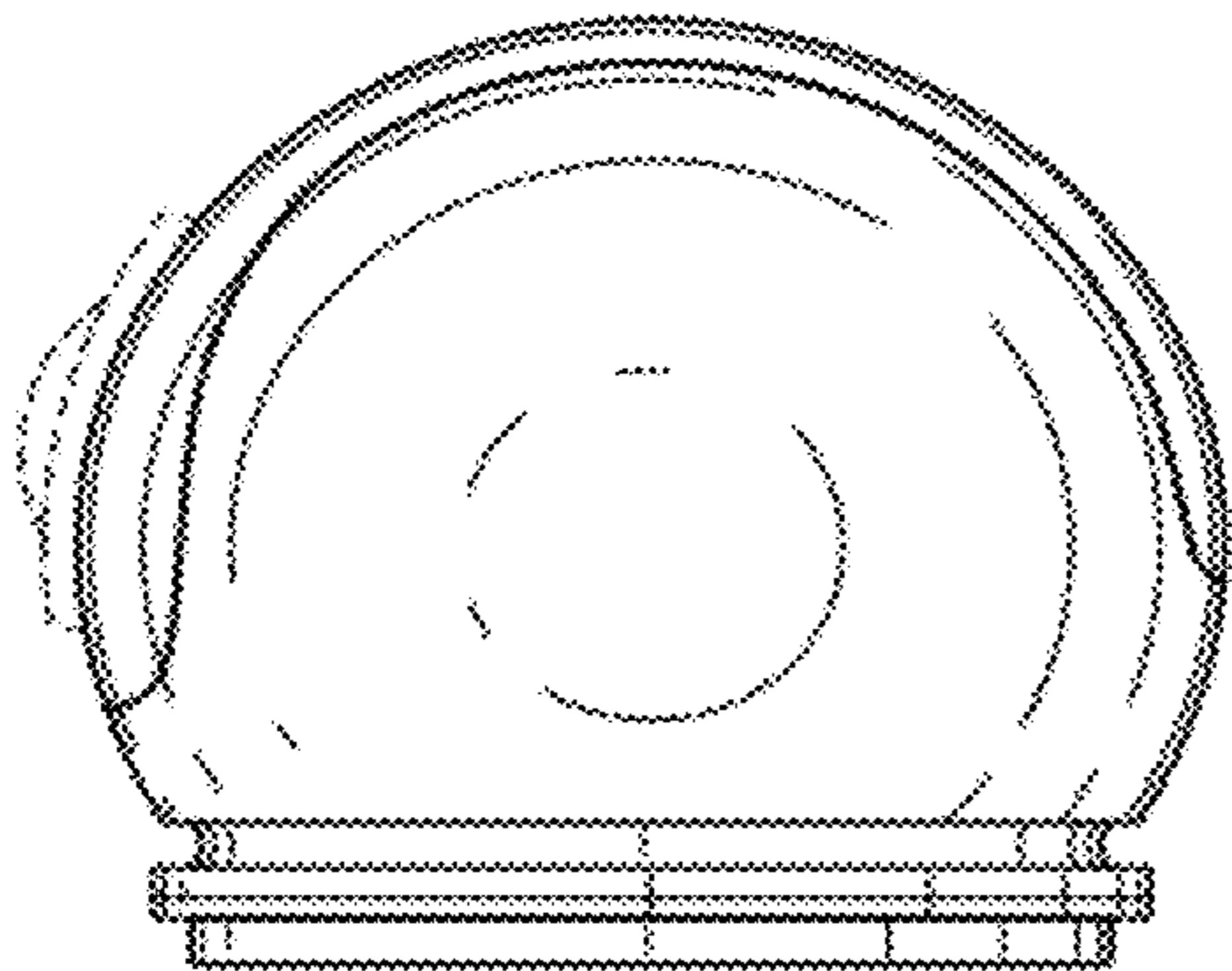


FIG. 4

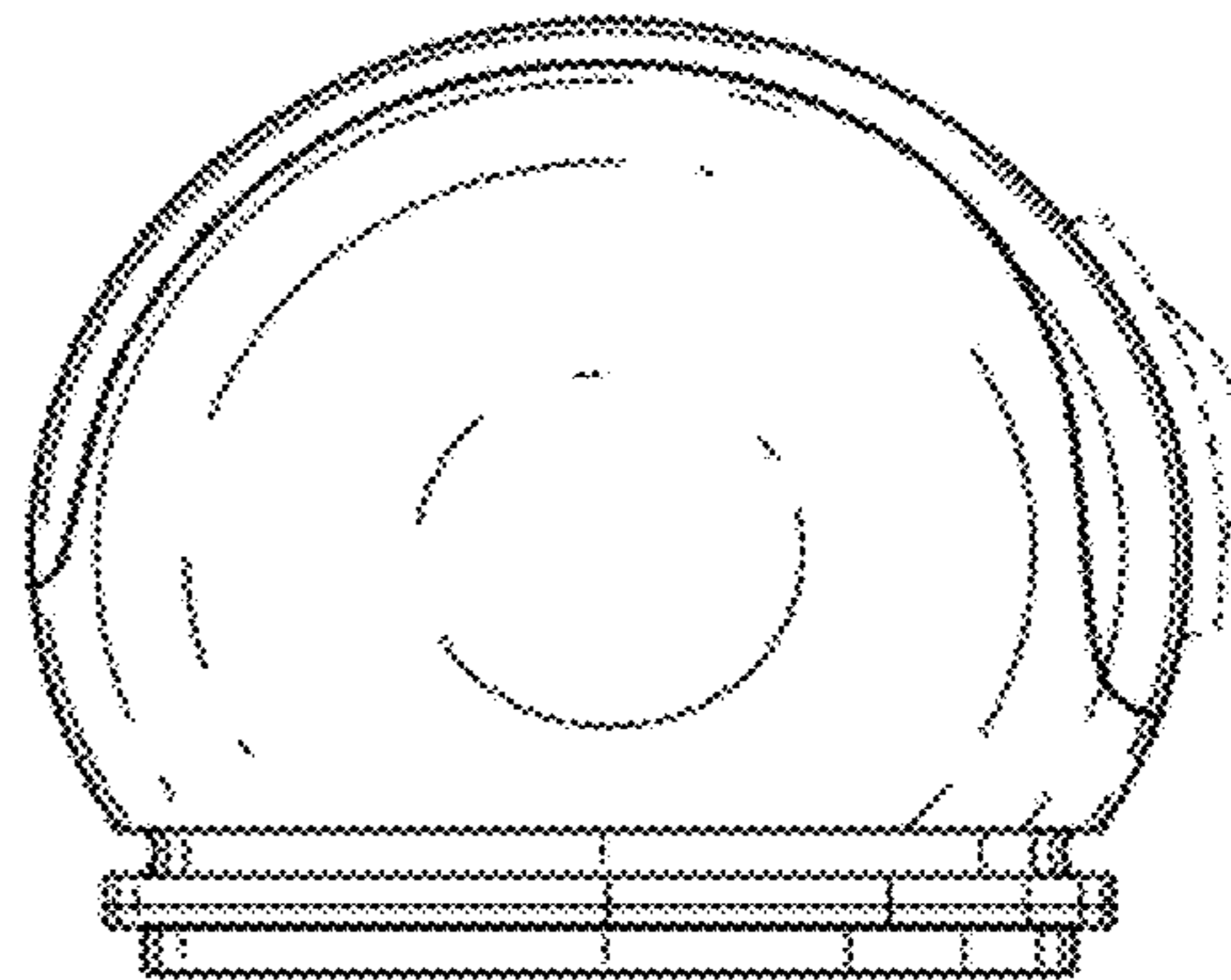


FIG. 5

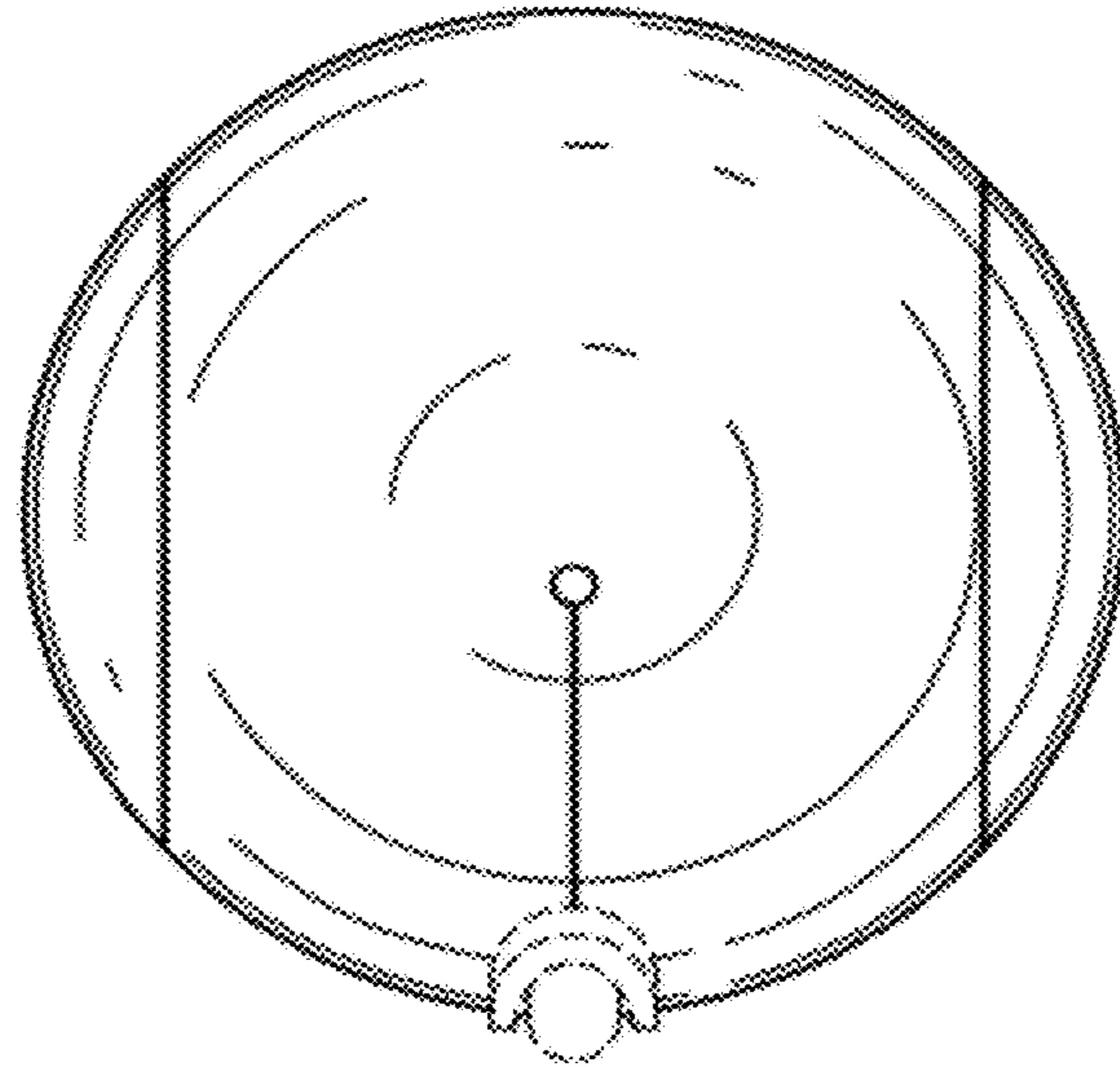


FIG. 6

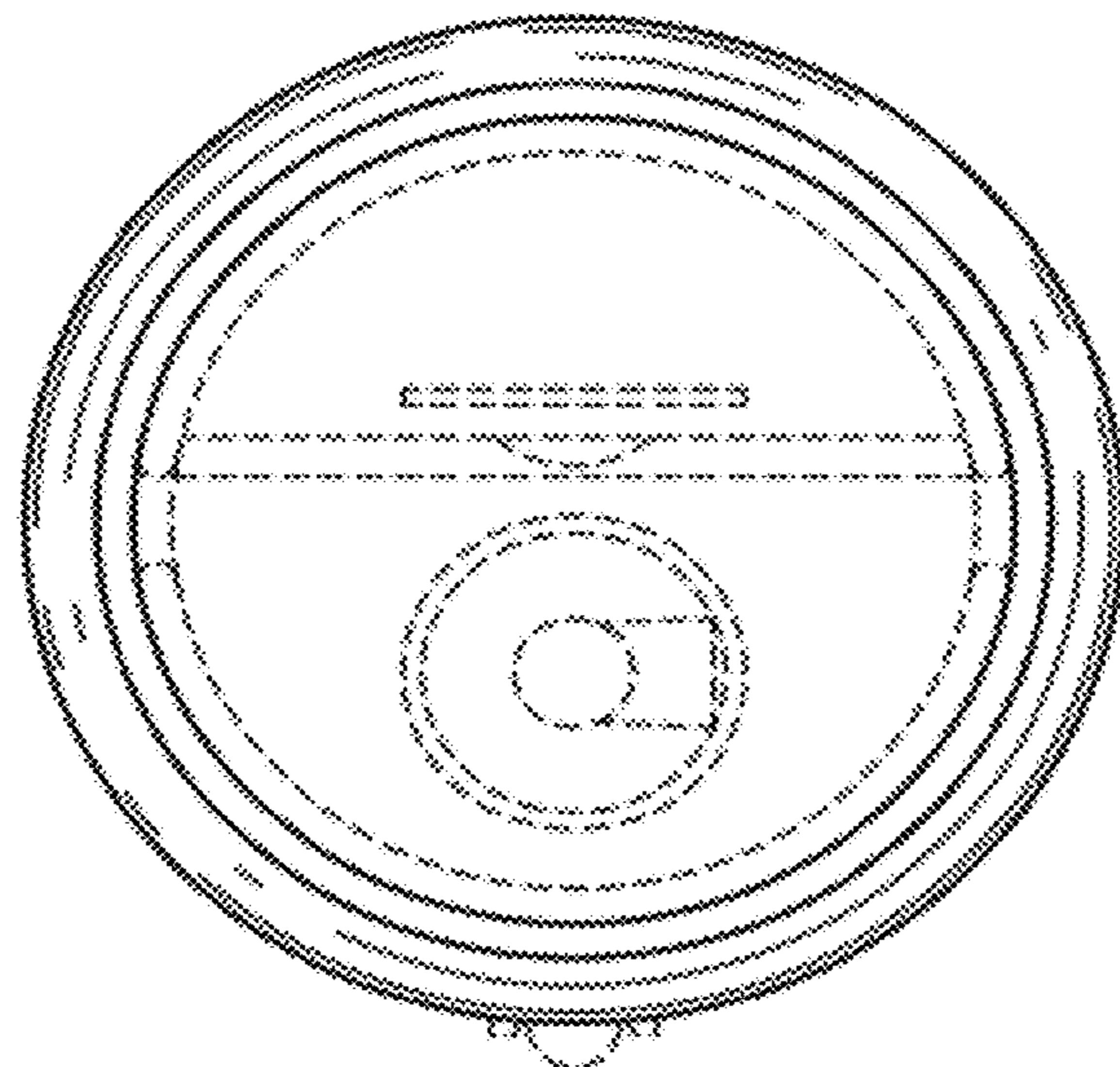


FIG. 7

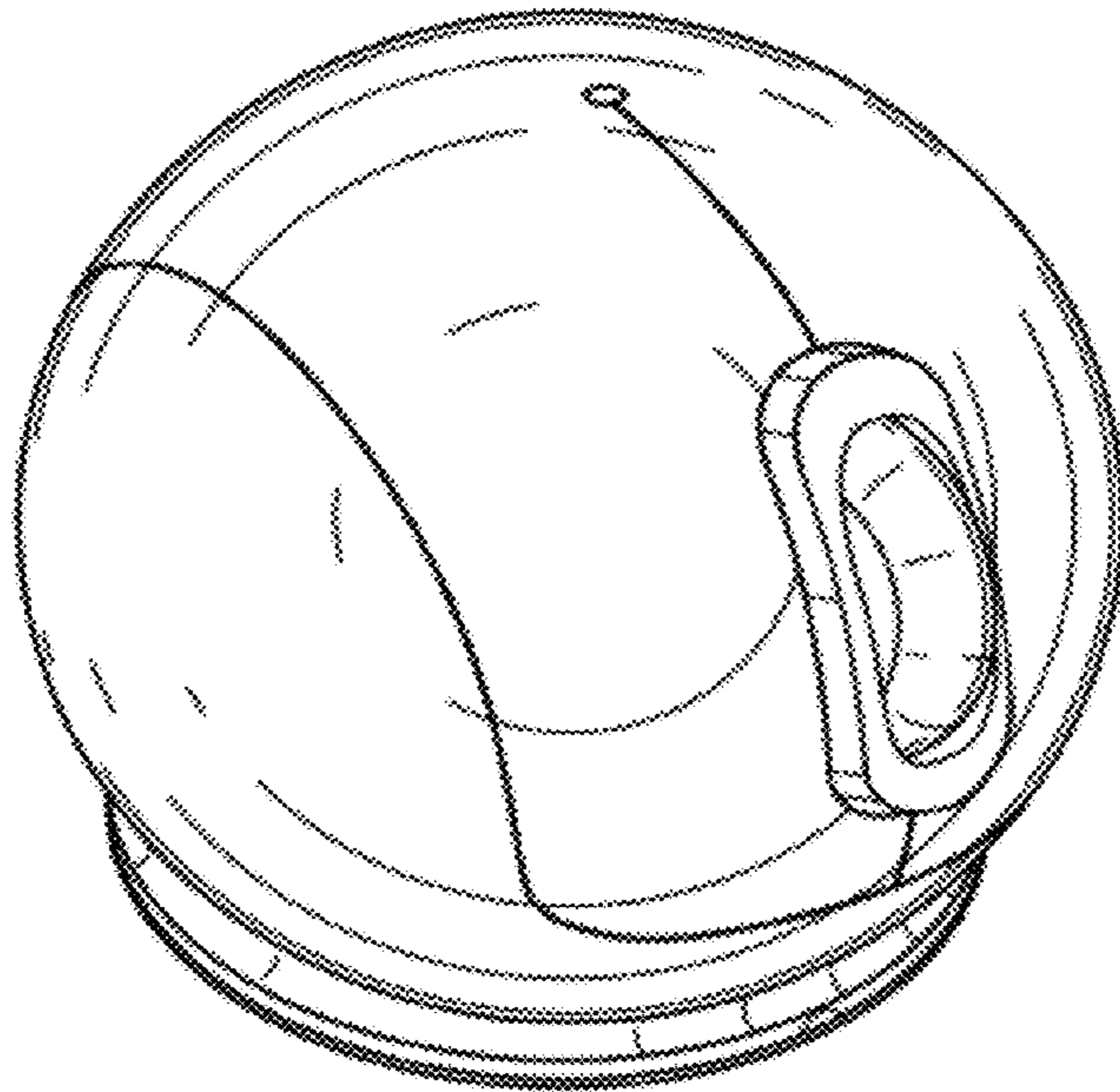


FIG. 8

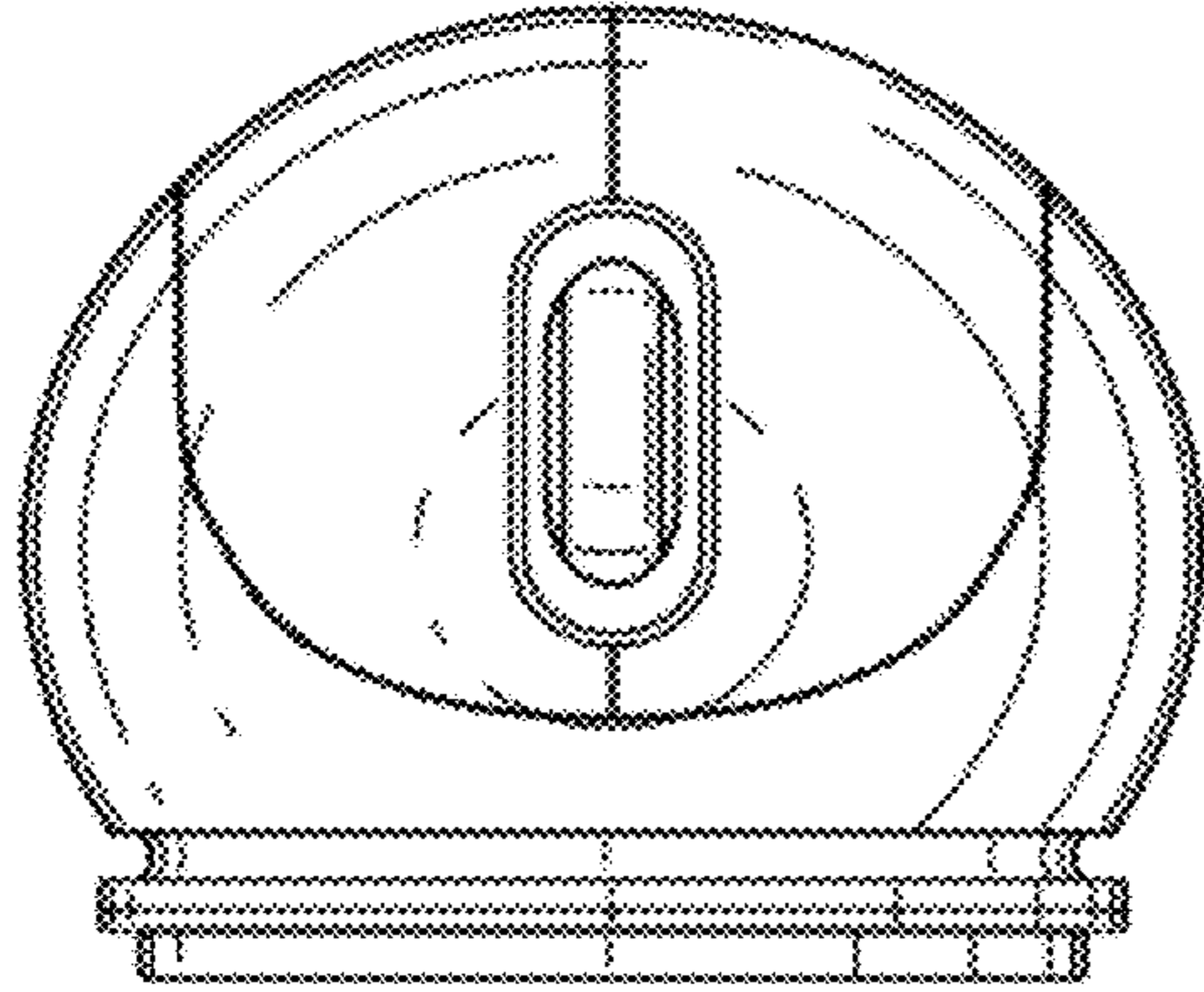


FIG. 9

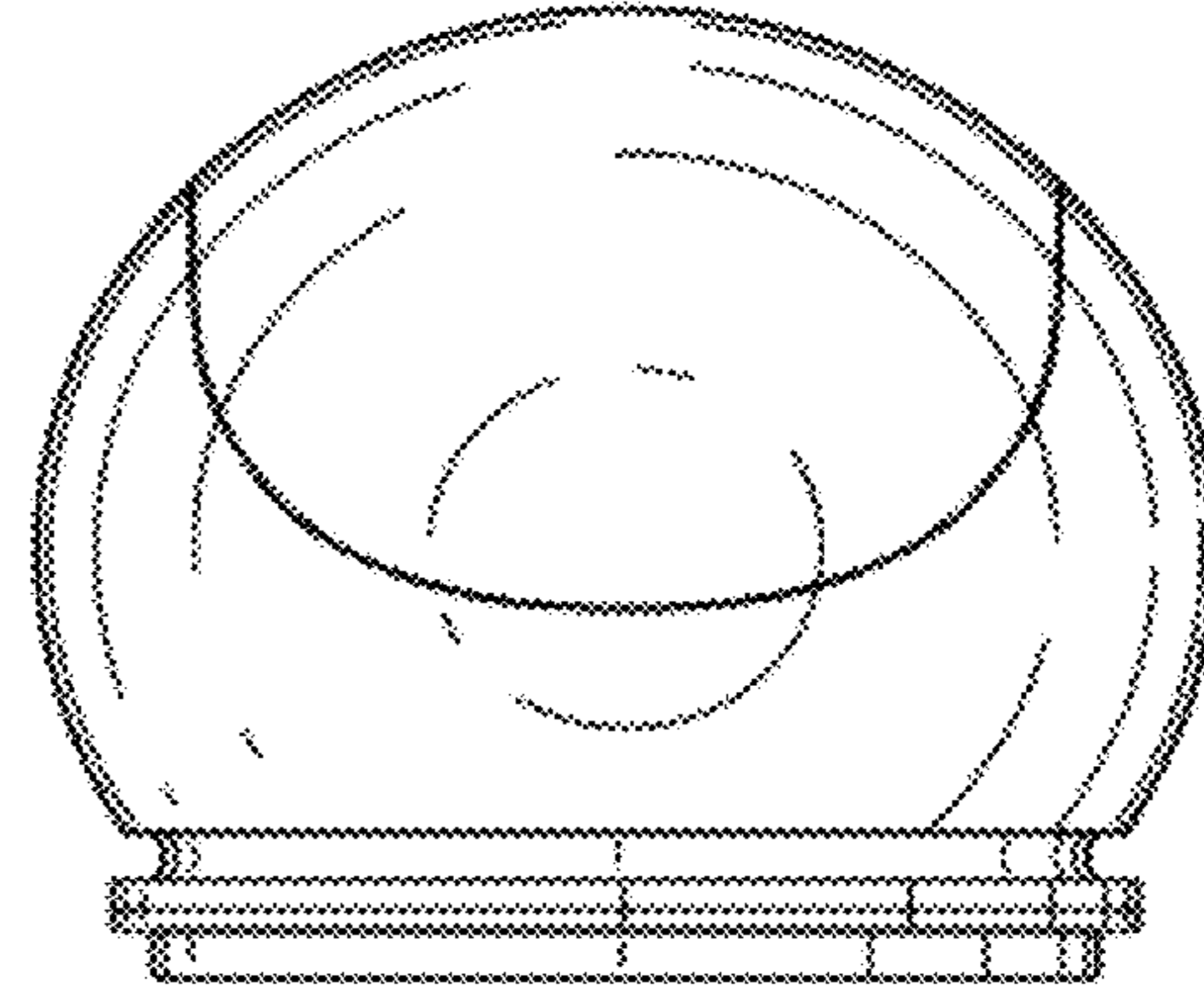


FIG. 10

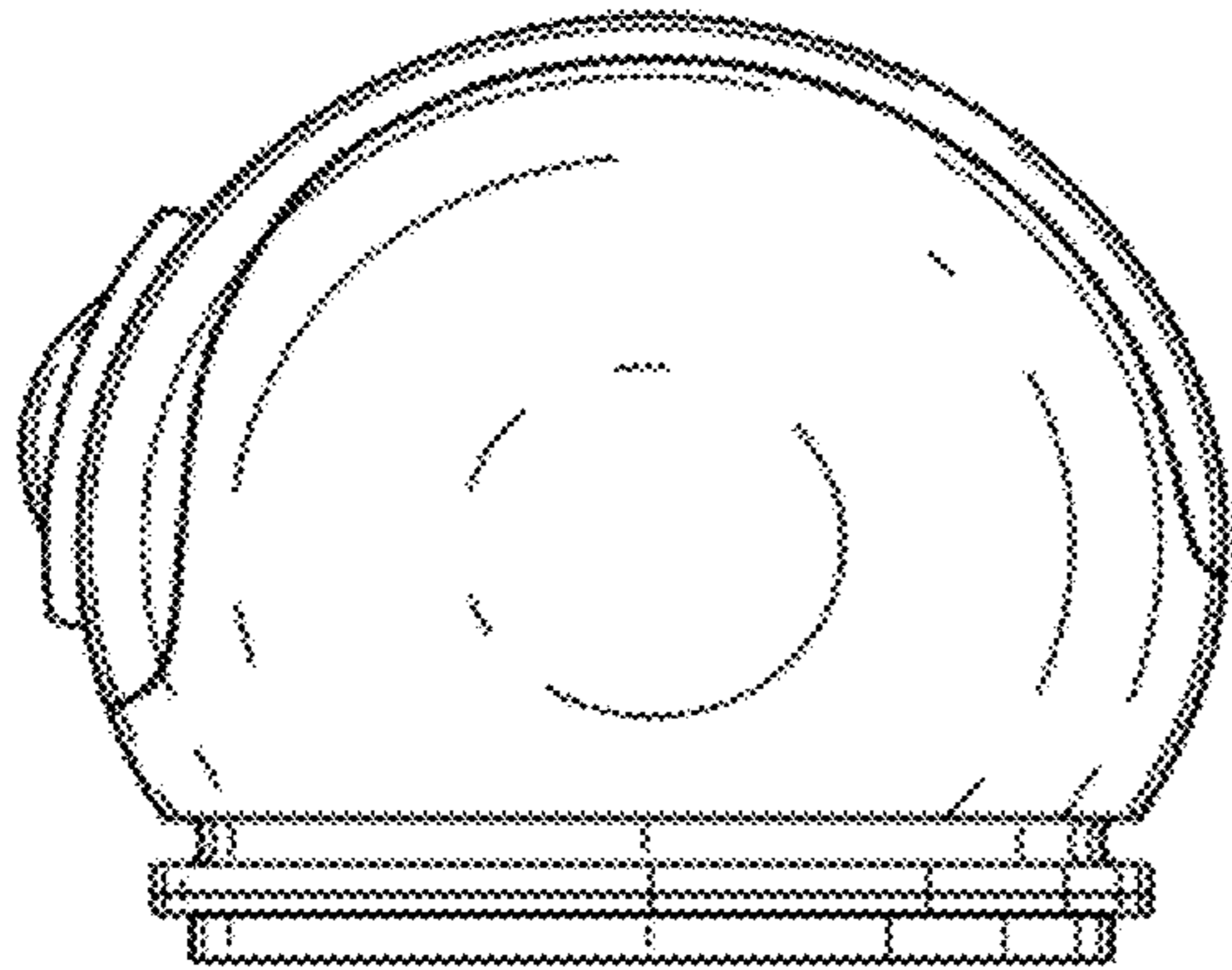


FIG. 11

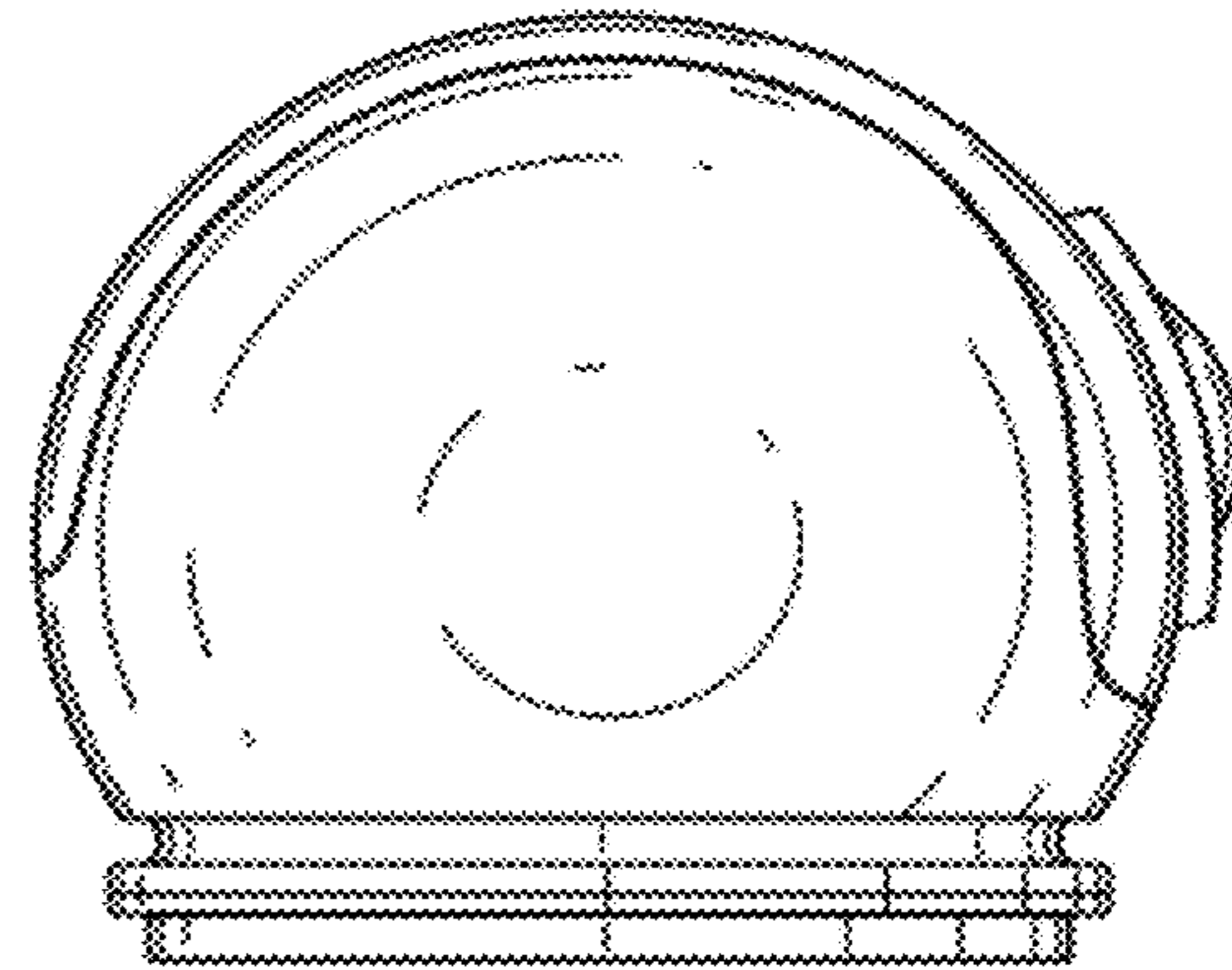


FIG. 12

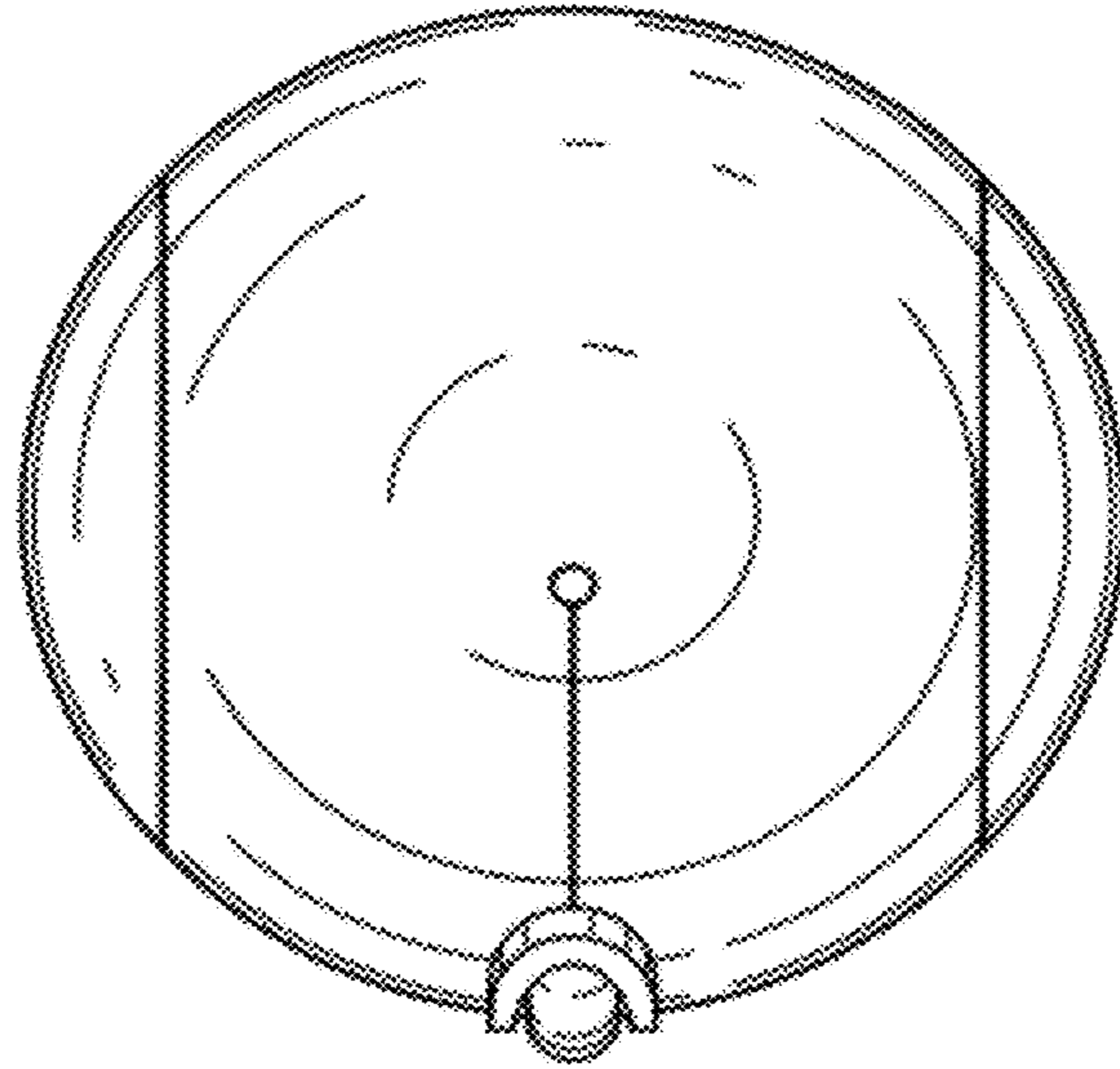


FIG. 13

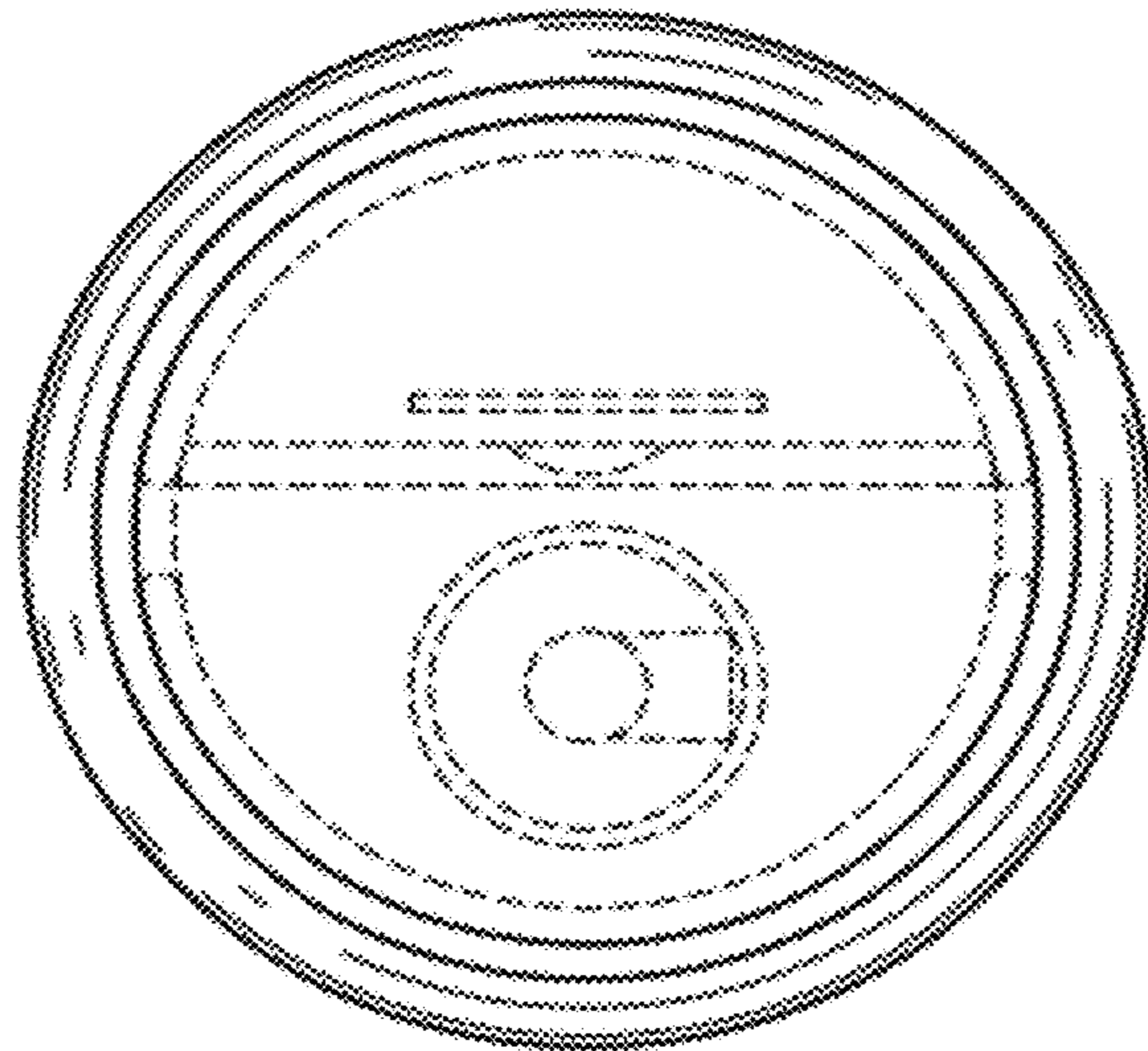


FIG. 14