



US00D663730S

(12) **United States Design Patent**
Kim et al.

(10) **Patent No.:** **US D663,730 S**
(45) **Date of Patent:** **** Jul. 17, 2012**

(54) **ELECTRONIC MOUSE WITH A GRID
PATTERN APPEARANCE**

(75) Inventors: **Young Soo Kim**, Bellevue, WA (US);
Ralf Groene, Kirkland, WA (US)

(73) Assignee: **Microsoft Corporation**, Redmond, WA
(US)

(**) Term: **14 Years**

(21) Appl. No.: **29/341,584**

(22) Filed: **Aug. 7, 2009**

(51) **LOC (9) Cl.** **14-02**

(52) **U.S. Cl.** **D14/402**

(58) **Field of Classification Search** D14/402-411,
D14/356, 388, 389, 383-385, 417, 426;
345/156-167; 463/36-38; 358/471, 473;
273/148 B

See application file for complete search history.

(56) **References Cited**

U.S. PATENT DOCUMENTS

D413,114 S *	8/1999	Sheehan	D14/409
D464,352 S	10/2002	Kerestegian		
D491,948 S	6/2004	Fisher		
D505,955 S	6/2005	Fisher		
D541,804 S	5/2007	Chatterjee et al.		
D543,205 S *	5/2007	Fisher	D14/402
D562,823 S *	2/2008	Yang	D14/409
D564,515 S *	3/2008	Chatterjee et al.	D14/402
D570,842 S	6/2008	Chatterjee et al.		
D590,398 S *	4/2009	Kim et al.	D14/402
D630,214 S *	1/2011	Kim et al.	D14/408

D638,427 S *	5/2011	Kujawski et al.	D14/402
D645,864 S *	9/2011	Lim	D14/402
D654,918 S *	2/2012	Cheng	D14/402

* cited by examiner

Primary Examiner — Austin Murphy

(74) *Attorney, Agent, or Firm* — Banner & Witcoff, Ltd.

(57) **CLAIM**

The ornamental design for an electronic mouse with a grid pattern appearance, as shown and described.

DESCRIPTION

FIG. 1 is a front perspective view of an electronic mouse with a grid pattern appearance showing our new design, wherein the grid lines are formed by surface ornamentation;

FIG. 2 is a top view thereof;

FIG. 3 is a right side view thereof;

FIG. 4 is a left side view thereof;

FIG. 5 is a front view thereof;

FIG. 6 is a rear view thereof;

FIG. 7 is a bottom view thereof;

FIG. 8 is a front perspective view of an electronic mouse with a grid pattern appearance showing our new design, wherein the grid lines are formed by small grooves;

FIG. 9 is a top view thereof;

FIG. 10 is a right side view thereof;

FIG. 11 is a left side view thereof;

FIG. 12 is a front view thereof;

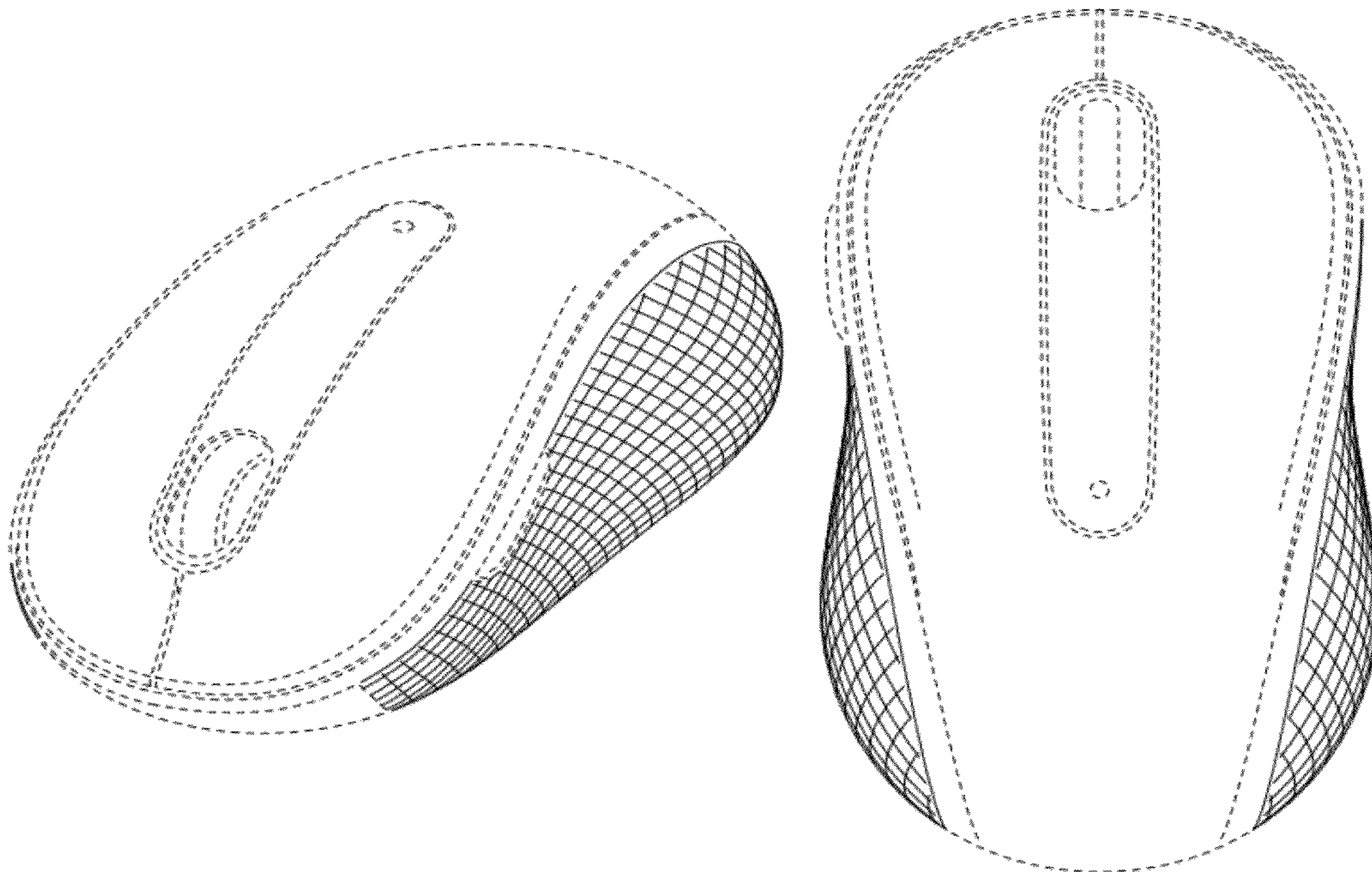
FIG. 13 is a rear view thereof;

FIG. 14 is a bottom view thereof; and,

FIG. 15 is an enlarged detailed view of the portion labeled "15" in FIG. 10 showing the formation of the grid lines.

The broken line showing of portions of the mouse in FIGS. 1-15 is for illustrative purposes only, and forms no part of the claimed design.

1 Claim, 11 Drawing Sheets



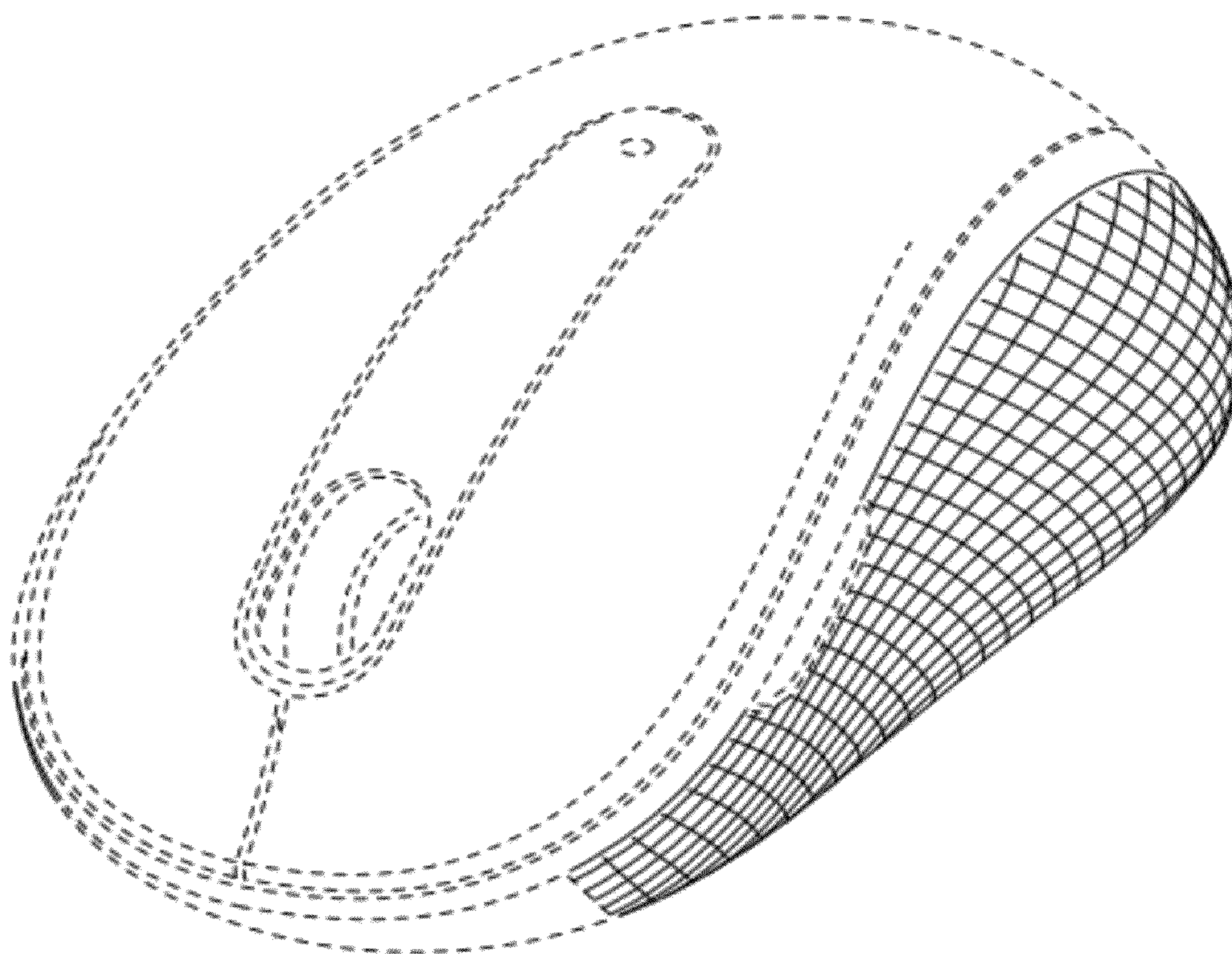


FIG. 1

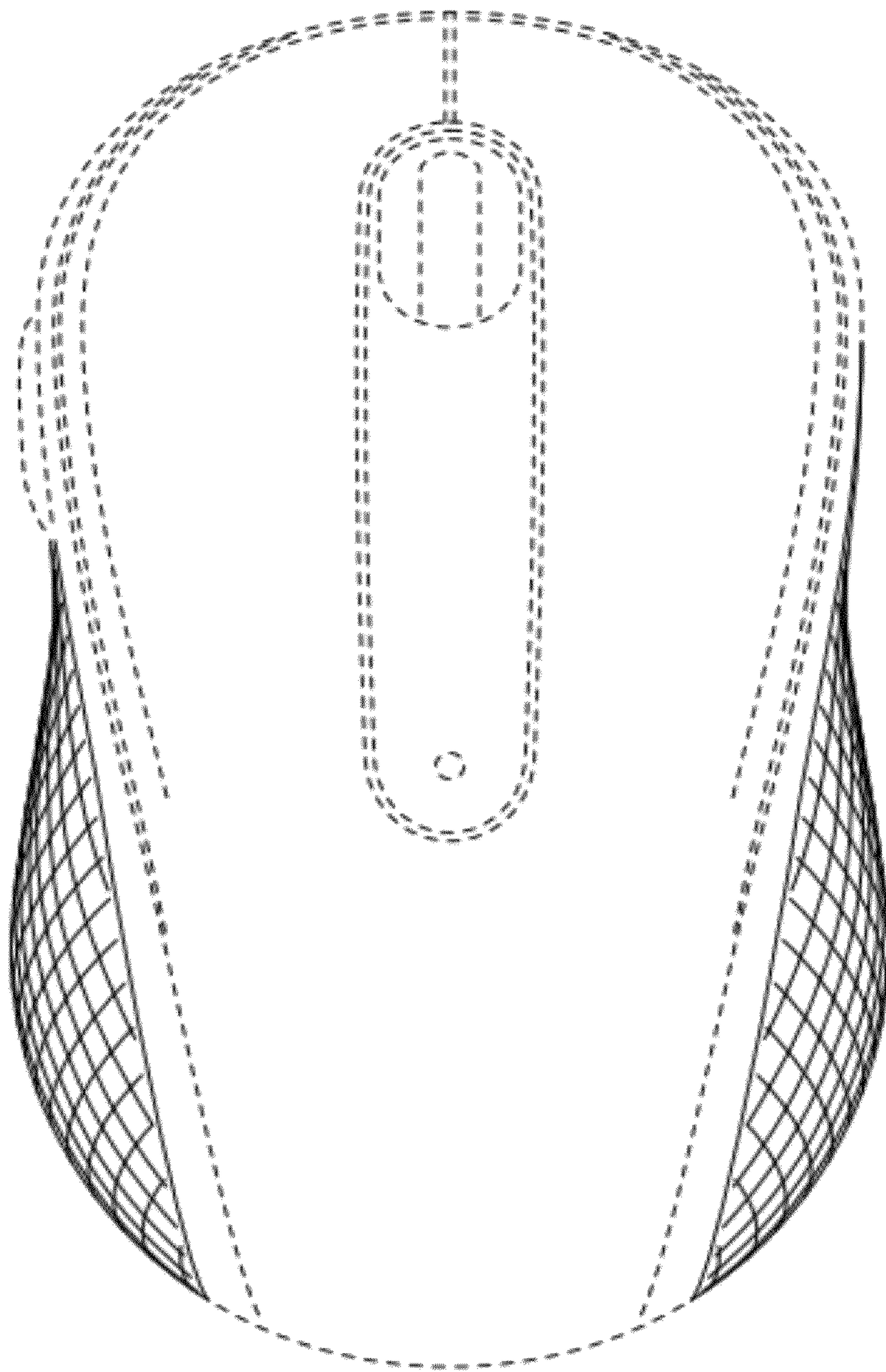


FIG. 2

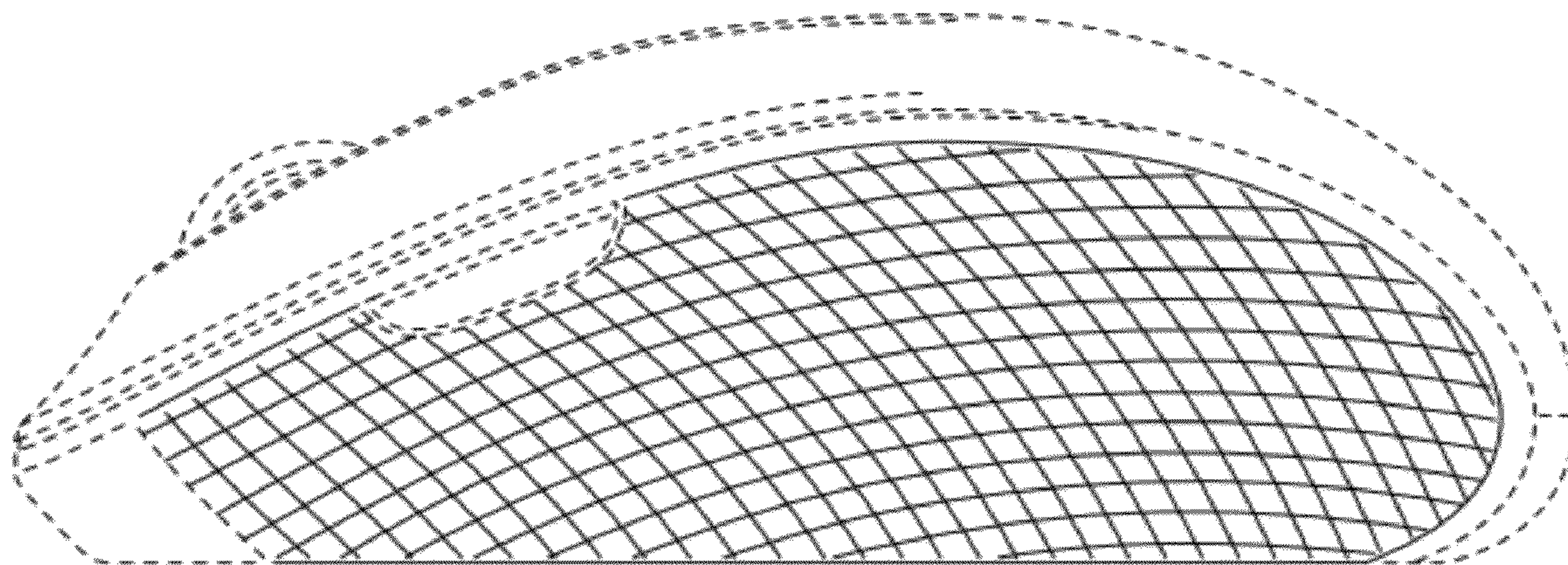


FIG. 3

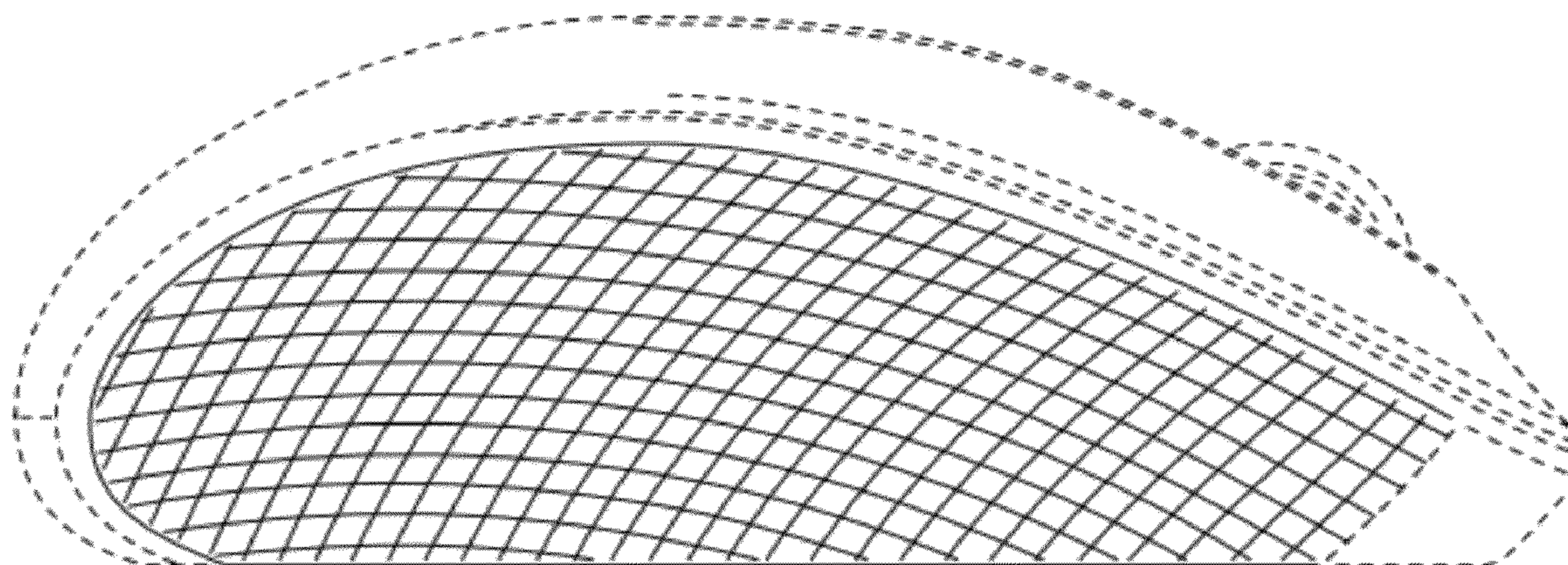


FIG. 4

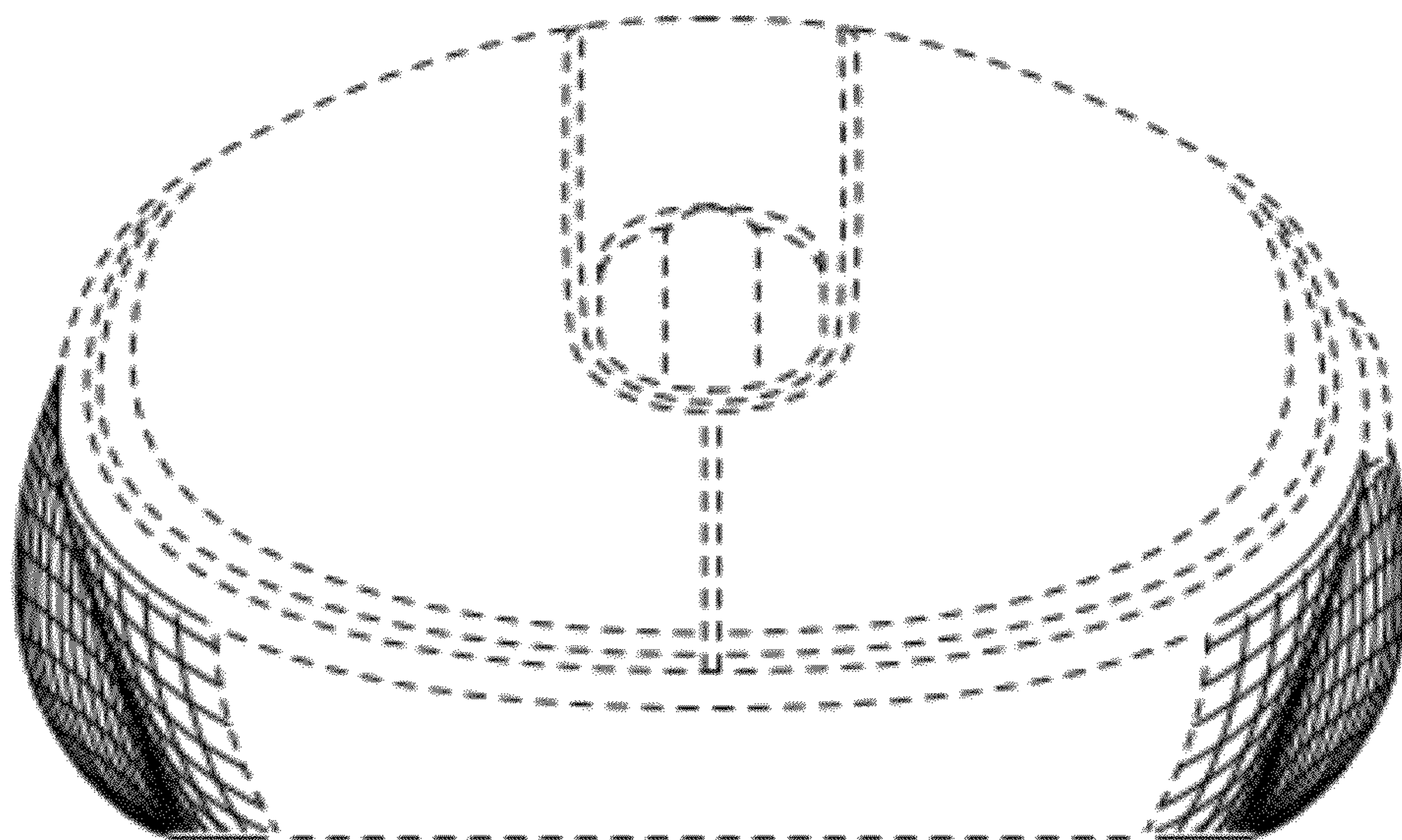


FIG. 5

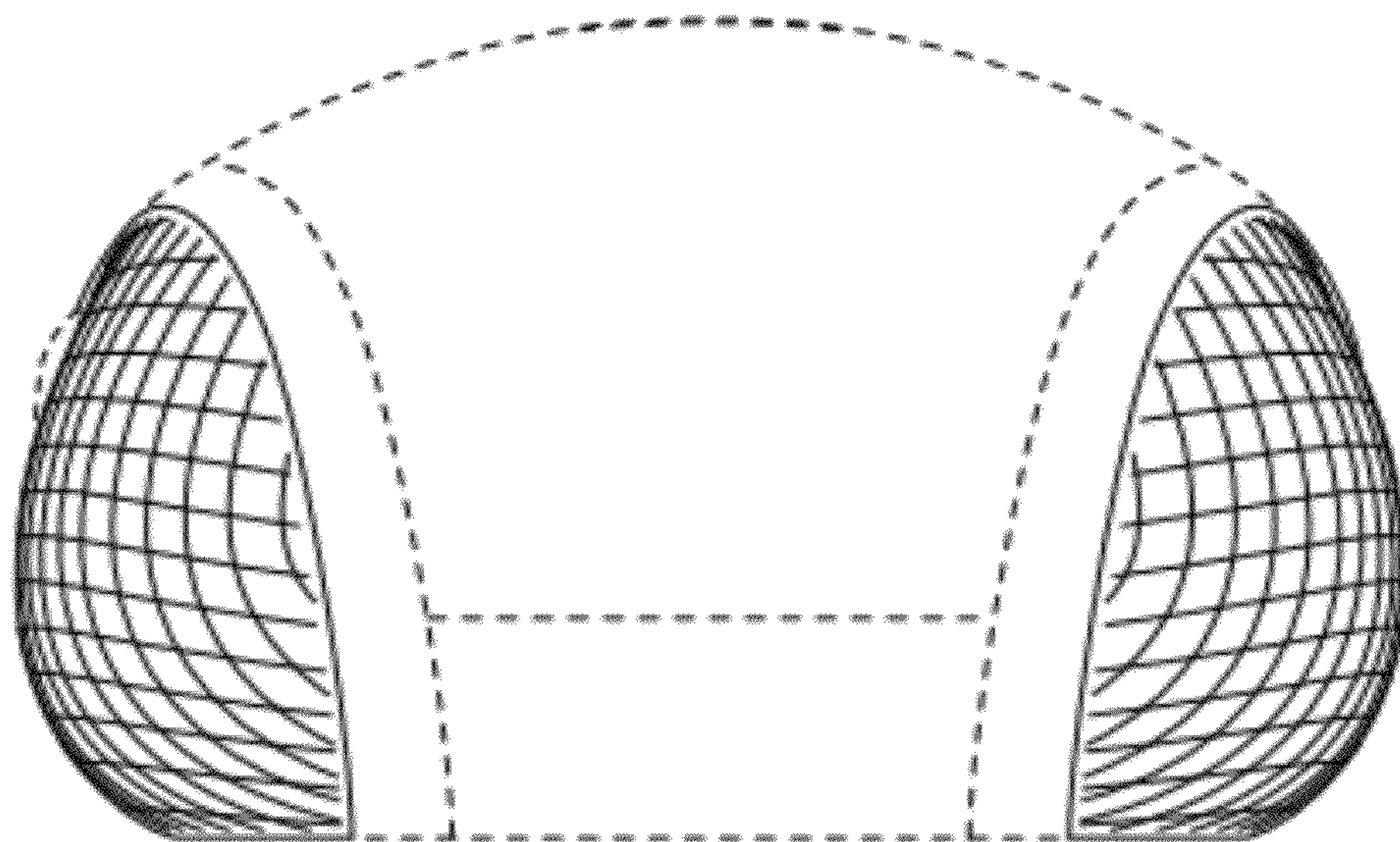


FIG. 6

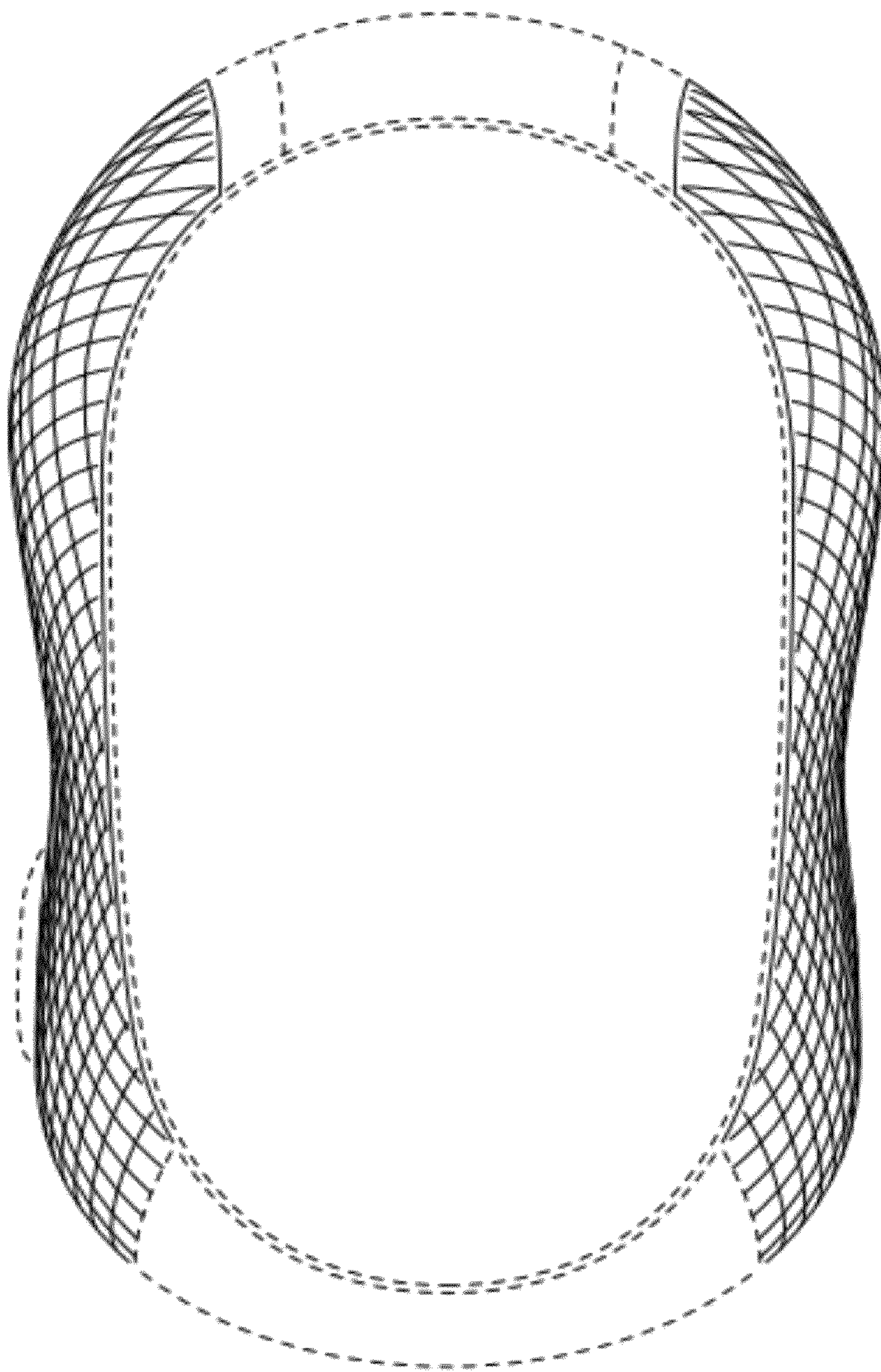


FIG. 7

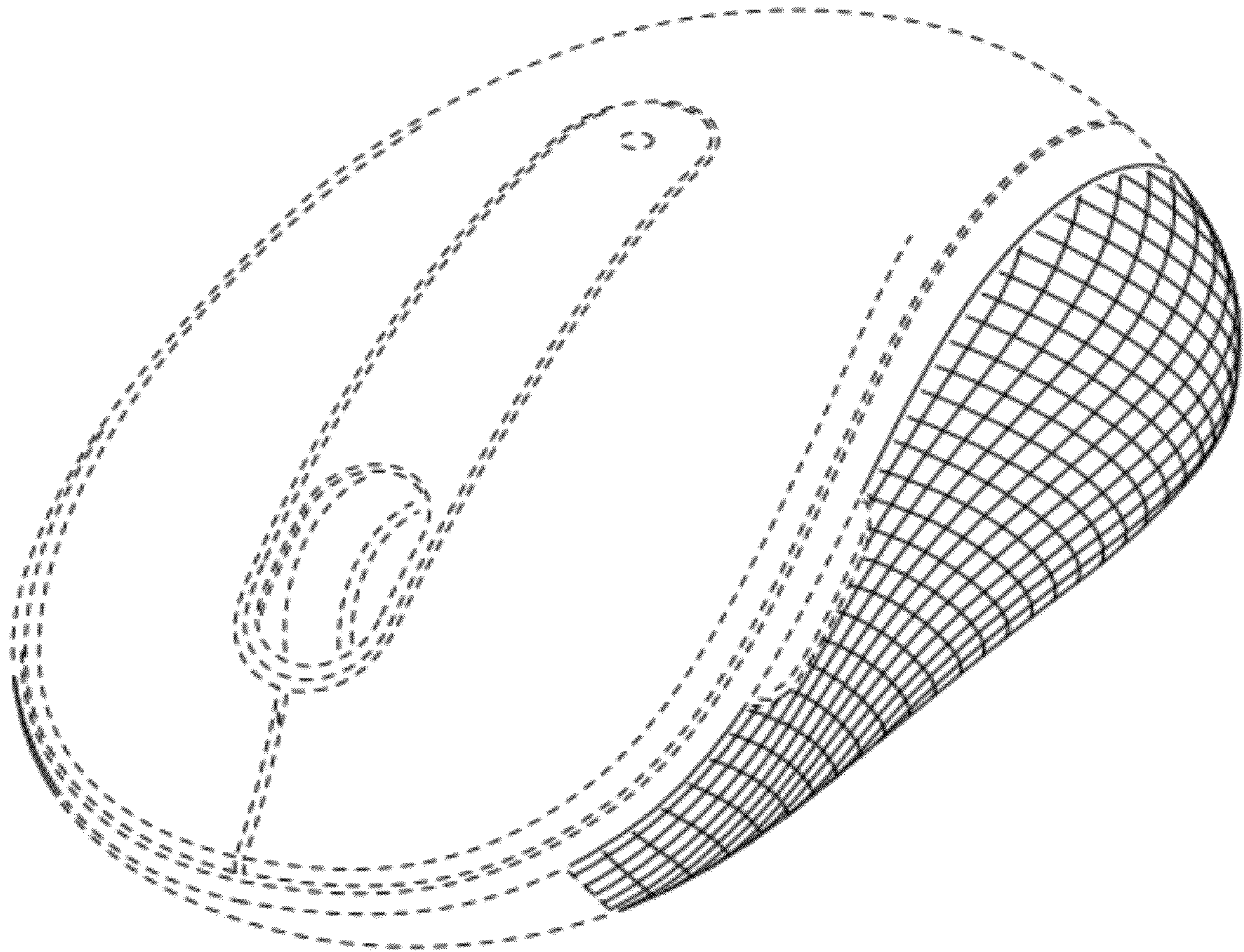


FIG. 8

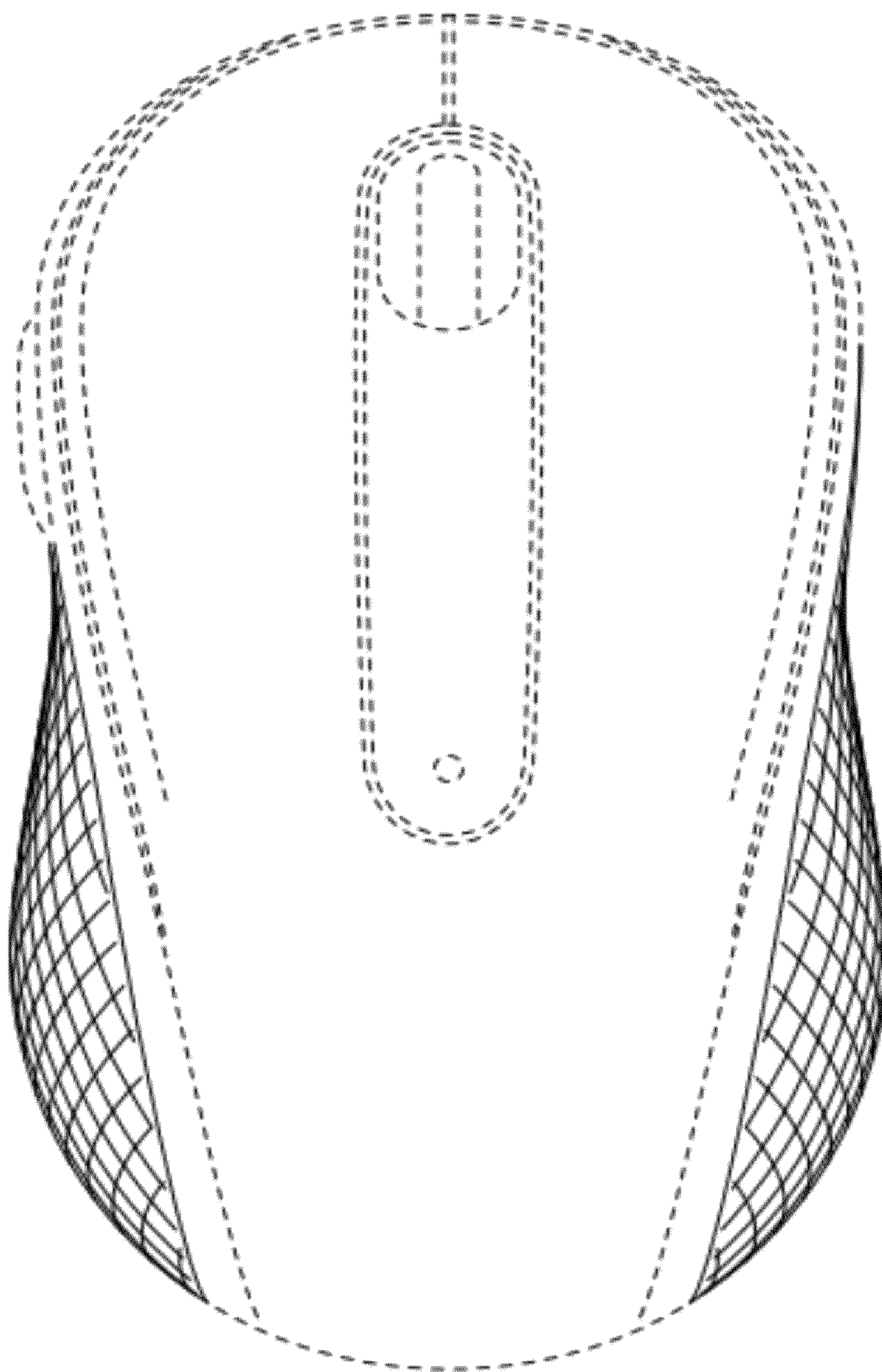


FIG. 9

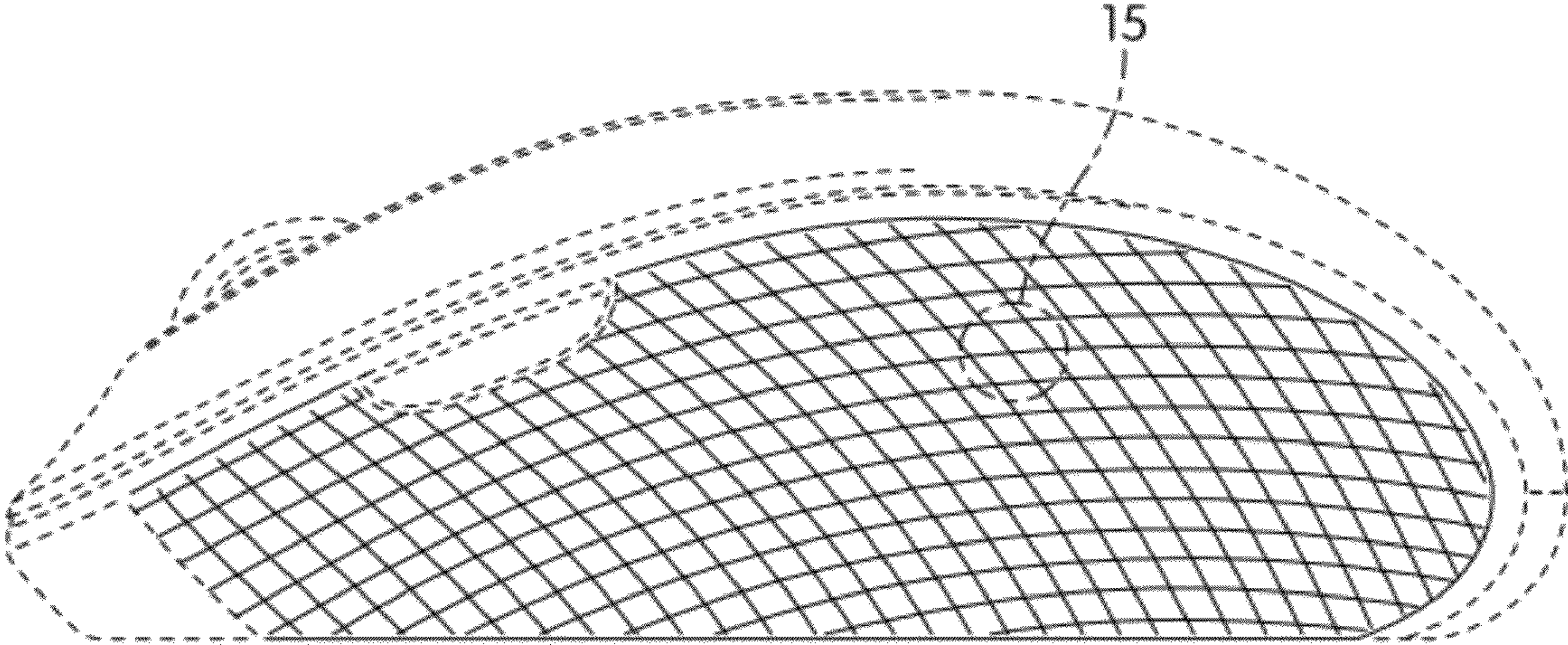


FIG. 10

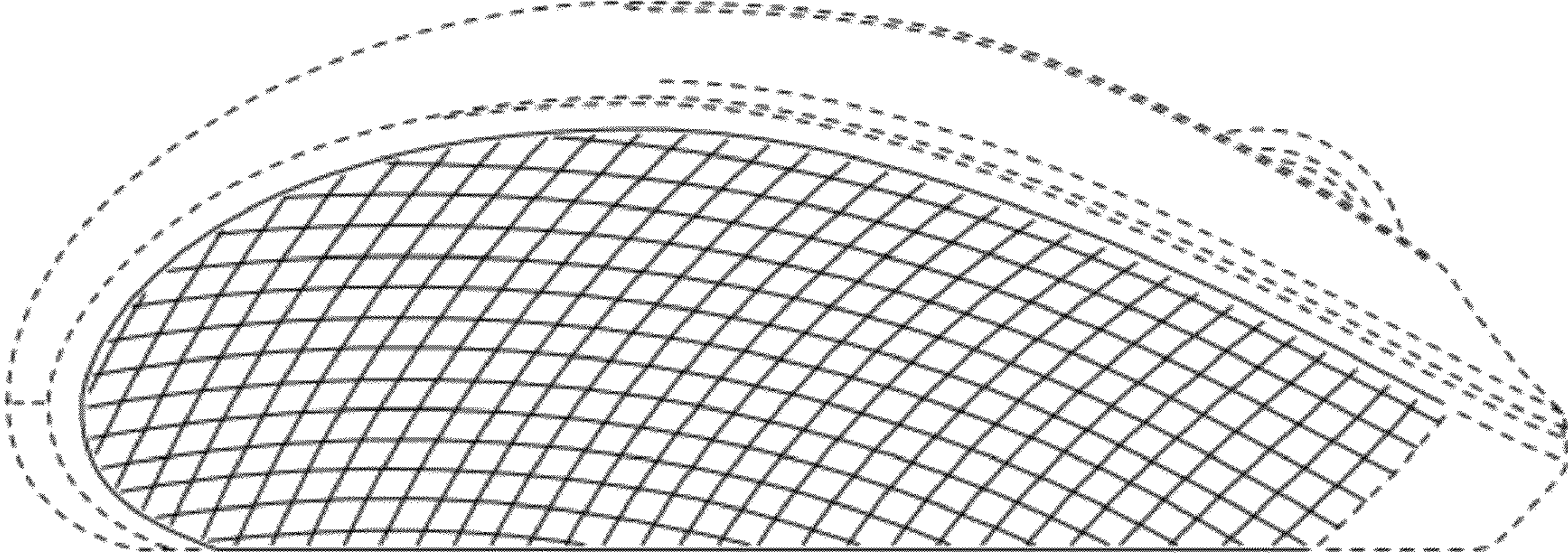


FIG. 11

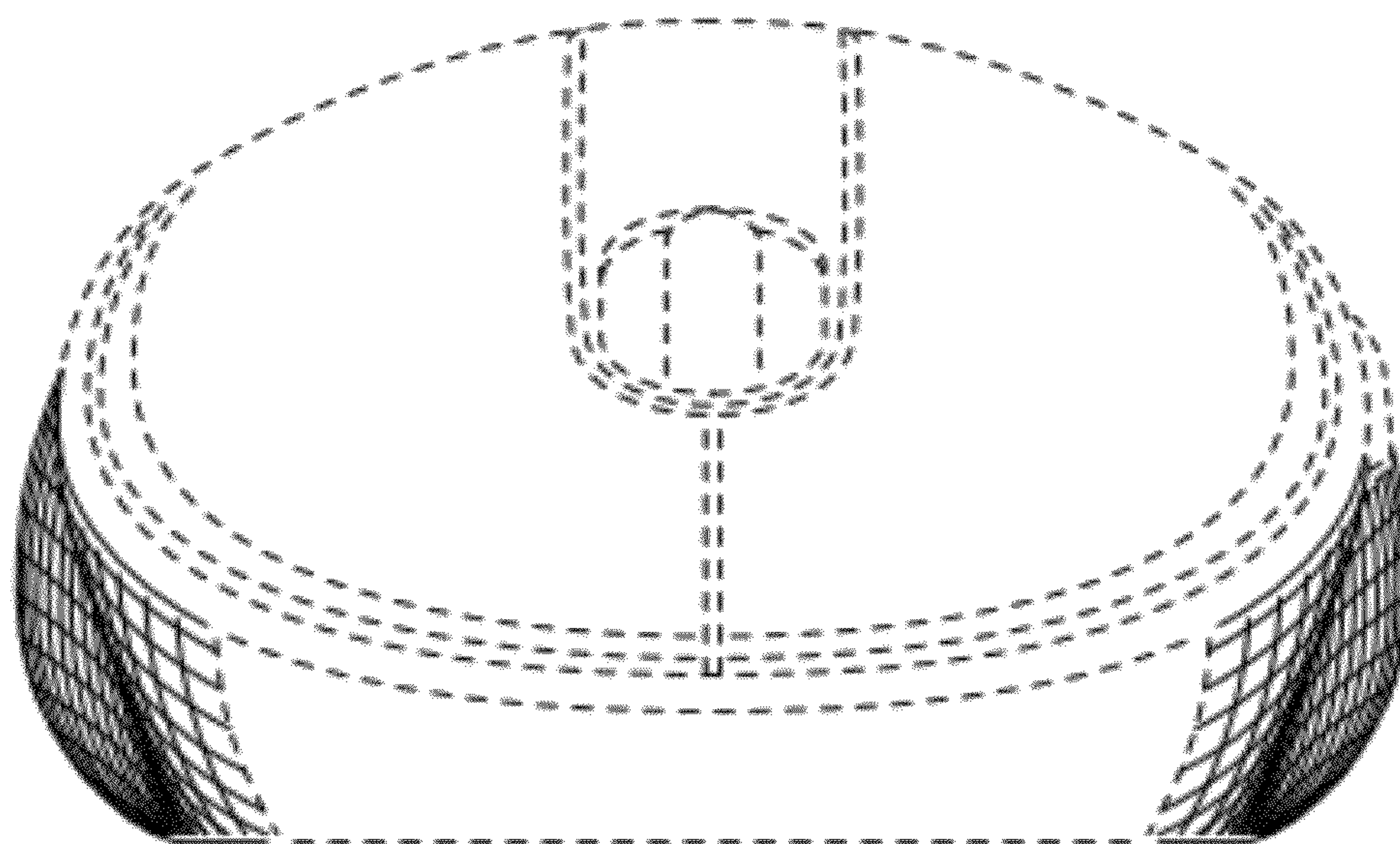


FIG. 12

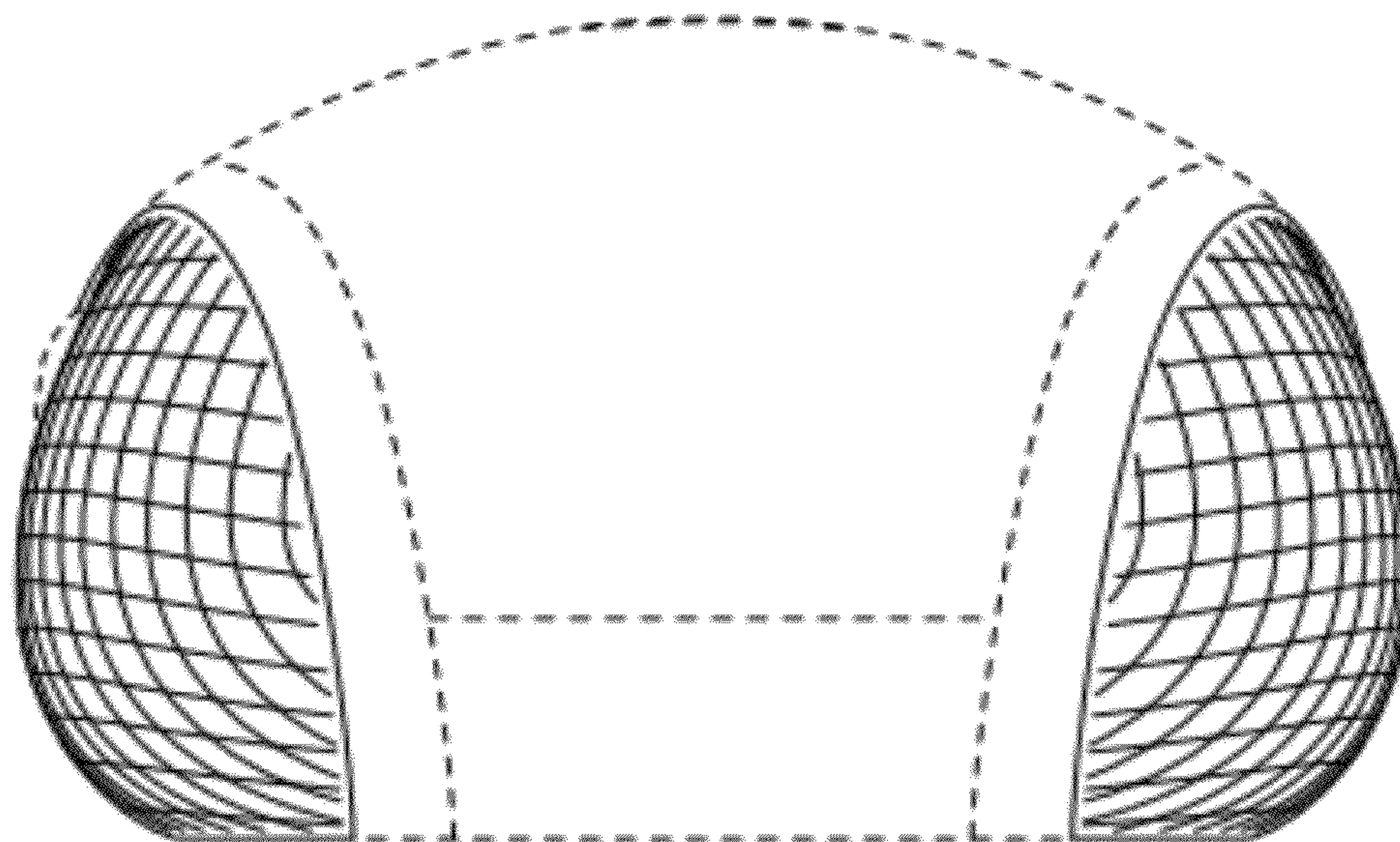


FIG. 13

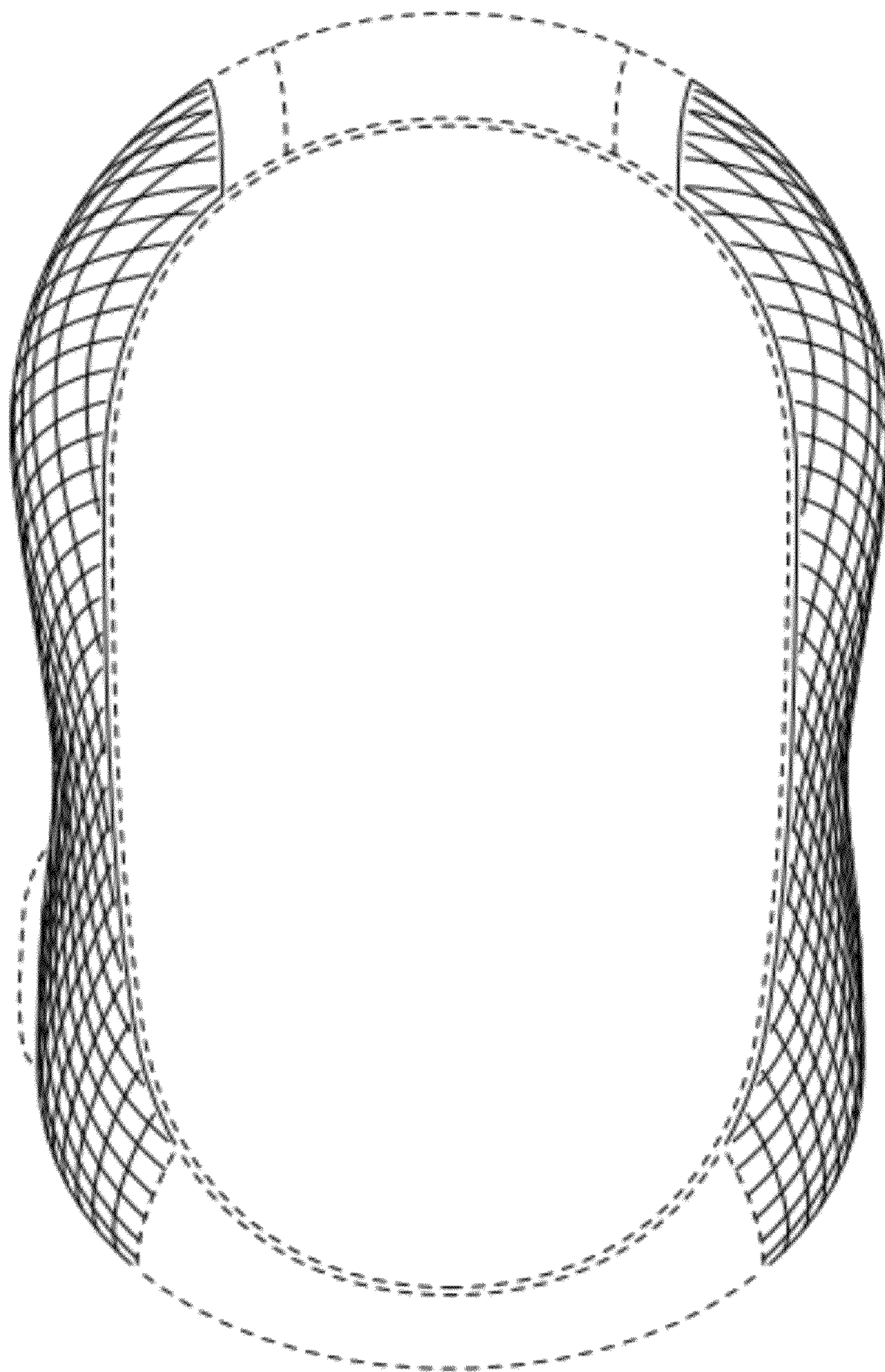


FIG. 14

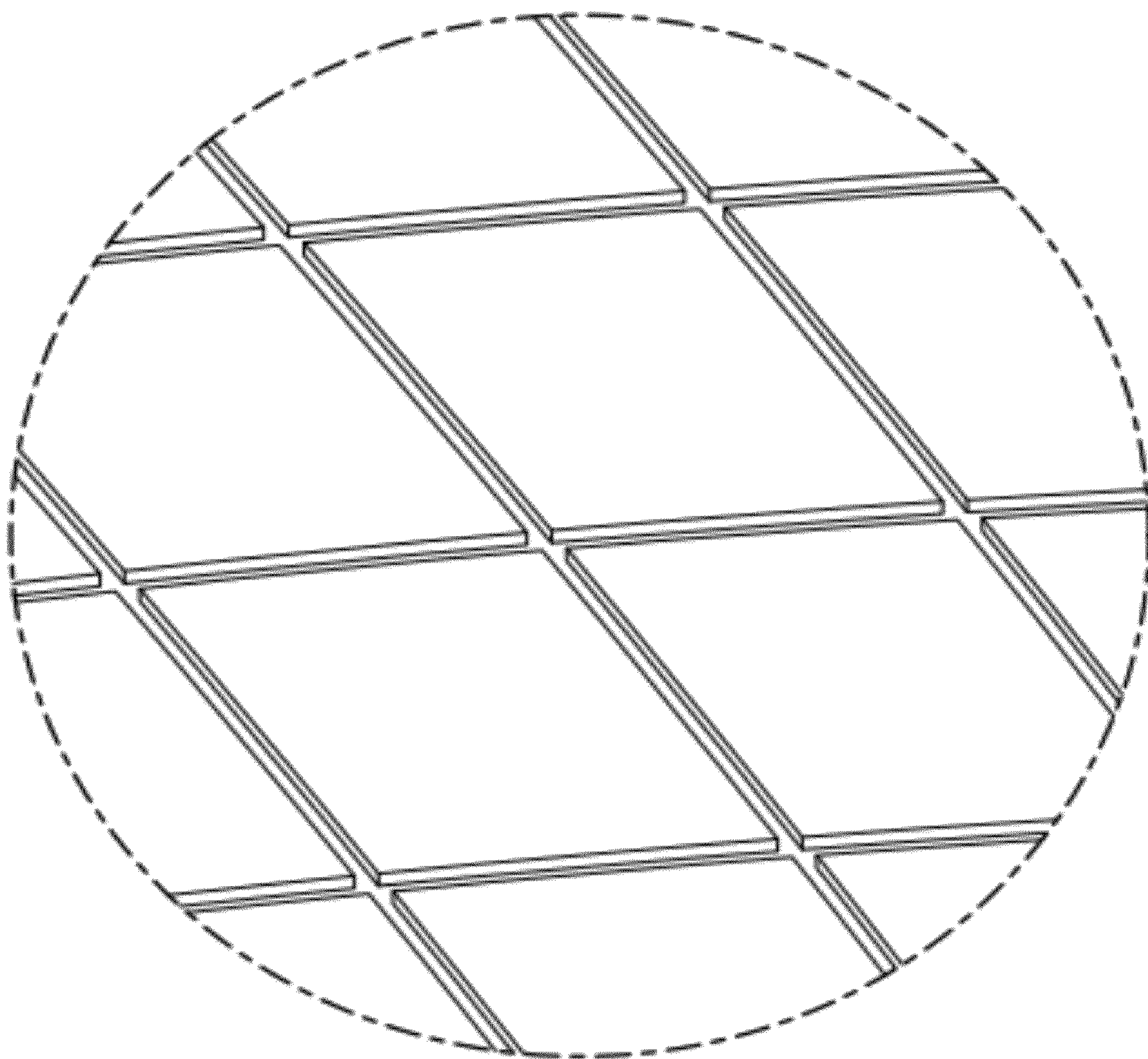


FIG. 15