



US00D663729S

(12) **United States Design Patent**
Lee et al.

(10) **Patent No.:** **US D663,729 S**
(45) **Date of Patent:** **** Jul. 17, 2012**

(54) **LIQUID CRYSTAL DISPLAY (LCD) MONITOR**

(75) Inventors: **Myungwhoon Lee**, Seoul (KR);
Jongchul Kim, Seoul (KR)

(73) Assignee: **LG Electronics Inc.**, Seoul (KR)

(**) Term: **14 Years**

(21) Appl. No.: **29/396,944**

(22) Filed: **Jul. 8, 2011**

(30) **Foreign Application Priority Data**

Jan. 10, 2011 (KR) 30-2011-0001010

(51) **LOC (9) Cl.** **14-02**

(52) **U.S. Cl.** **D14/374**

(58) **Field of Classification Search** D14/371-376,
D14/125-129, 336, 337, 306; D6/308, 311;
345/104, 156, 173, 174, 901-905; 348/180,
348/184, 325, 739; 361/679.08, 679.23;
349/1, 2, 11, 58; 248/917-924, 371; 341/12

See application file for complete search history.

(56) **References Cited**

U.S. PATENT DOCUMENTS

6,807,051	B2 *	10/2004	Takahashi	361/679.23
D544,849	S *	6/2007	Yang et al.	D14/126
D548,708	S *	8/2007	Park et al.	D14/126
7,280,665	B2 *	10/2007	Tamura et al.	381/333
D570,841	S *	6/2008	Kim et al.	D14/375
D572,682	S *	7/2008	Won et al.	D14/126
D573,118	S *	7/2008	Yang et al.	D14/126
2004/0217244	A1 *	11/2004	Wu et al.	248/278.1

* cited by examiner

Primary Examiner — Freda S Nunn

(74) *Attorney, Agent, or Firm* — Birch, Stewart, Kolasch & Birch, LLP

(57) **CLAIM**

The ornamental design for a liquid crystal display (LCD) monitor, as shown and described.

DESCRIPTION

FIG. 1 is a perspective view of a liquid crystal display (LCD) monitor showing our new design;
FIG. 2 is a front view thereof;
FIG. 3 is a rear view thereof;
FIG. 4 is a left side view thereof where the right side view is a mirror image;
FIG. 5 is a top plan view thereof; and,
FIG. 6 is a bottom plan view thereof.

1 Claim, 6 Drawing Sheets

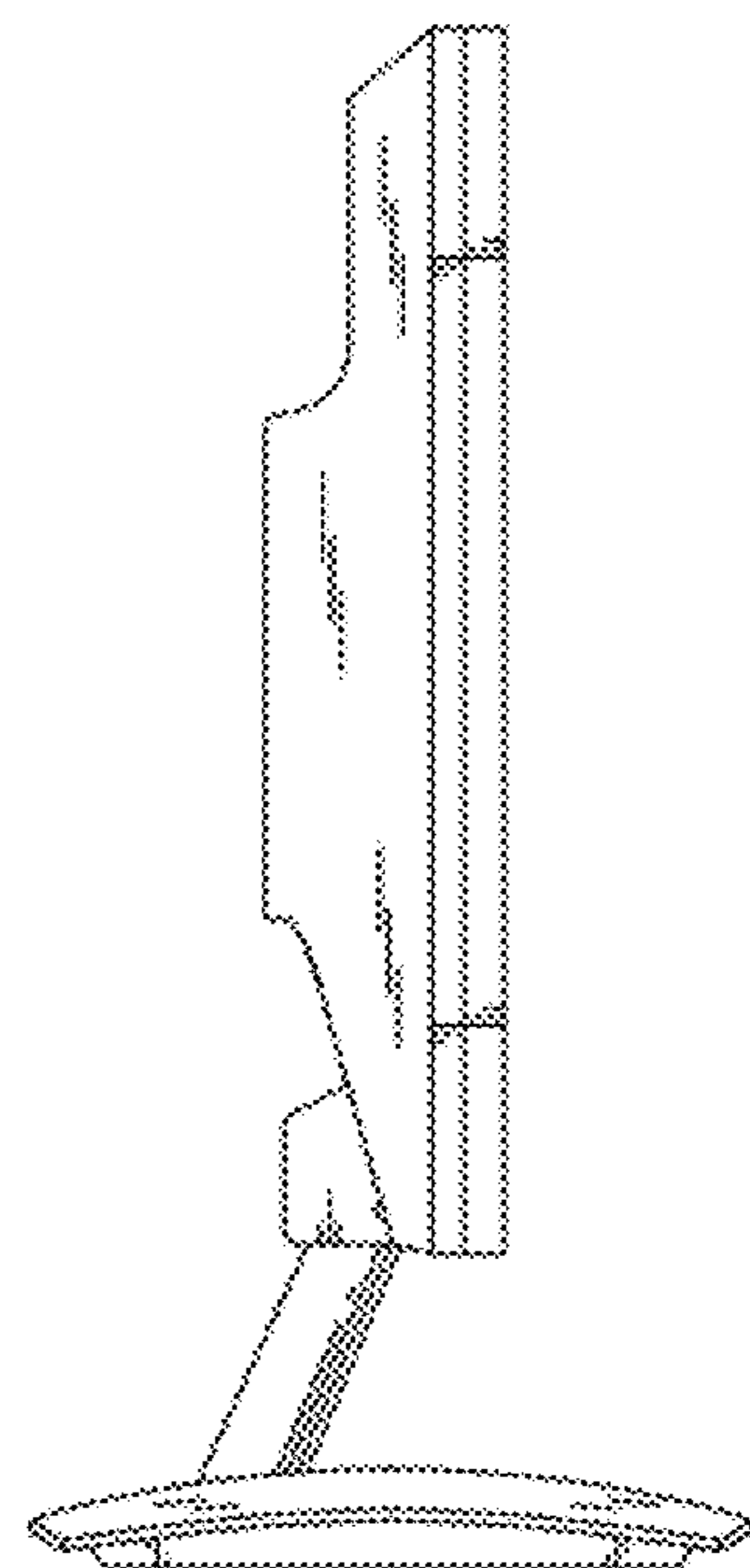
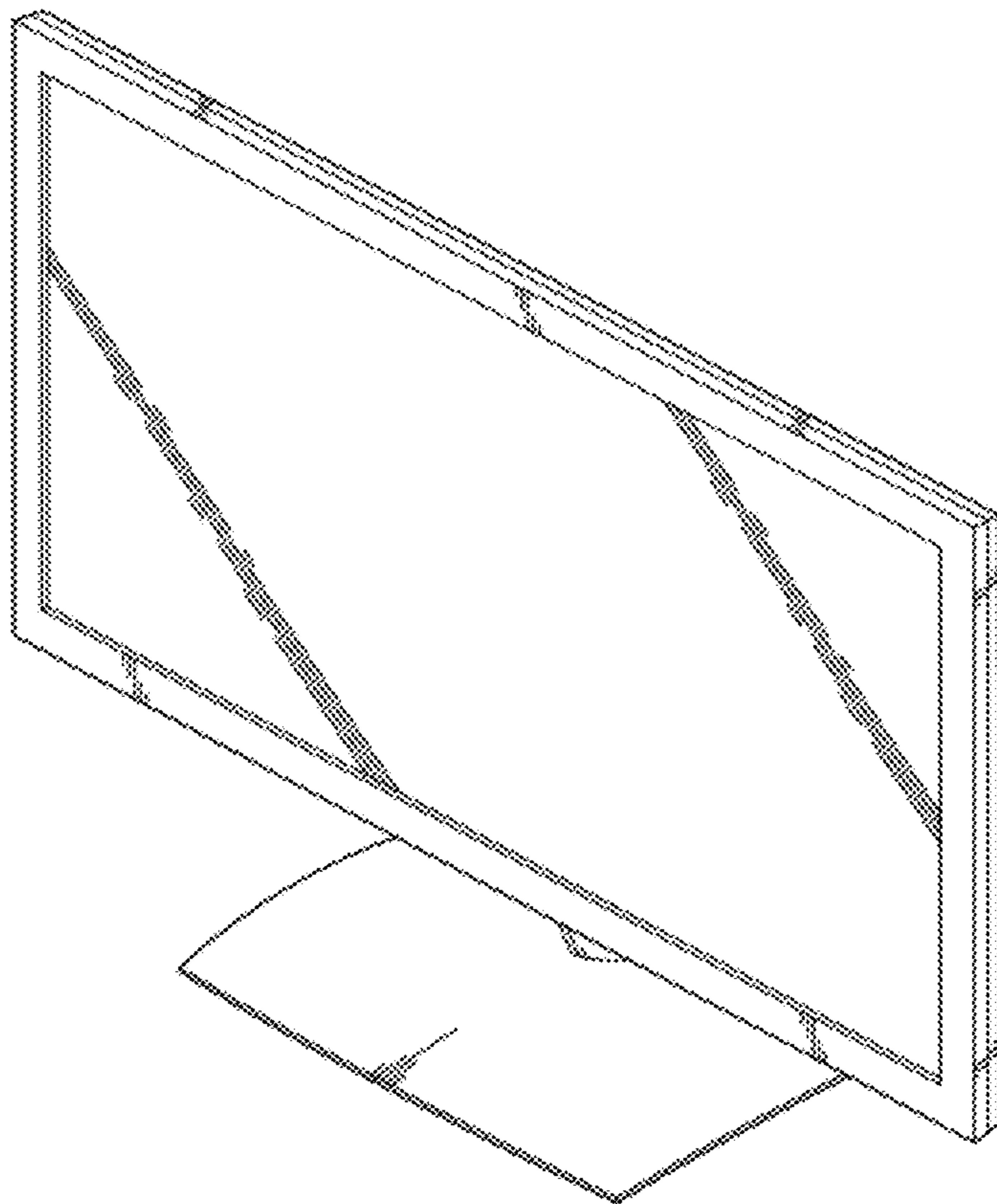


FIG. 1

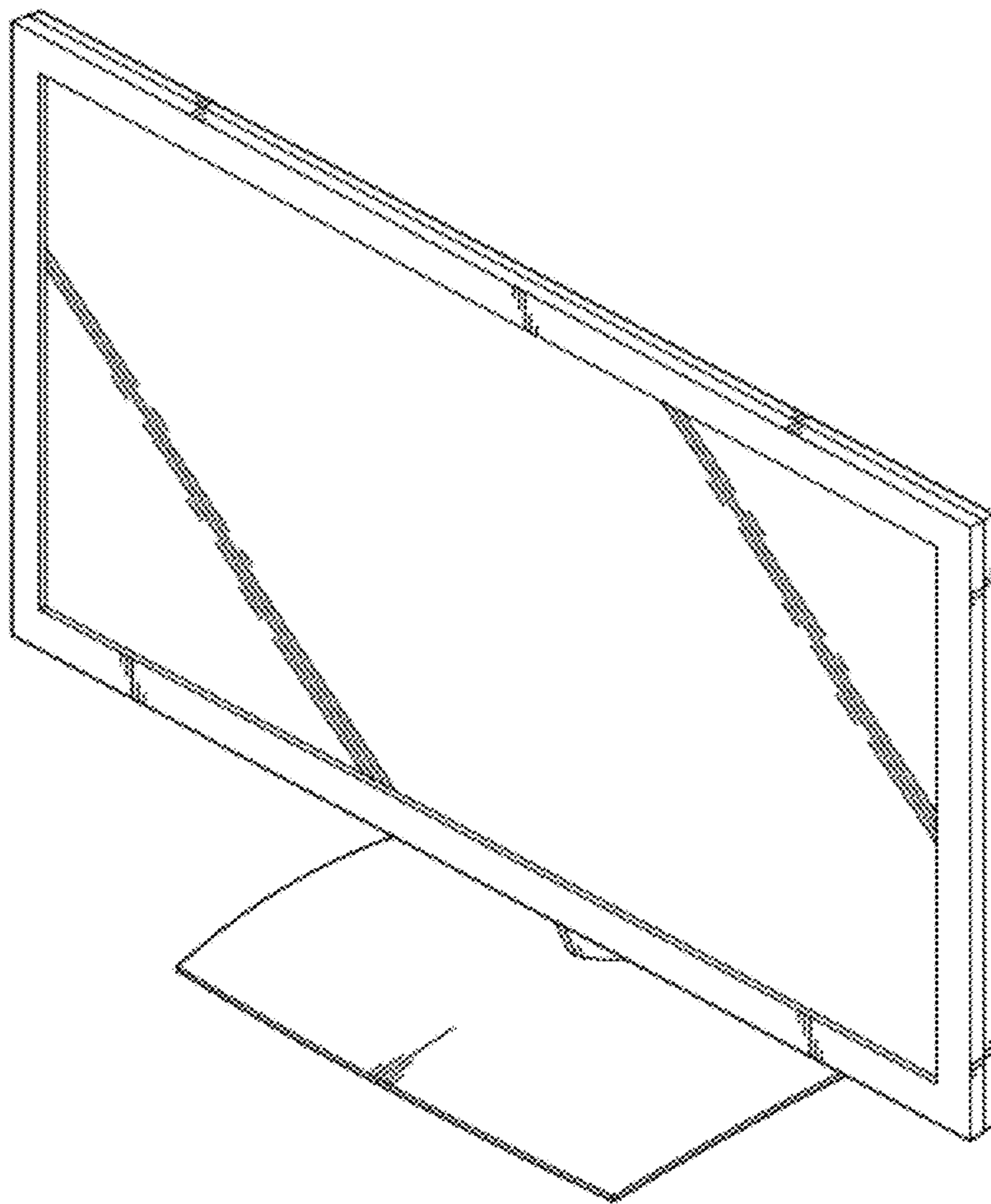


FIG. 2

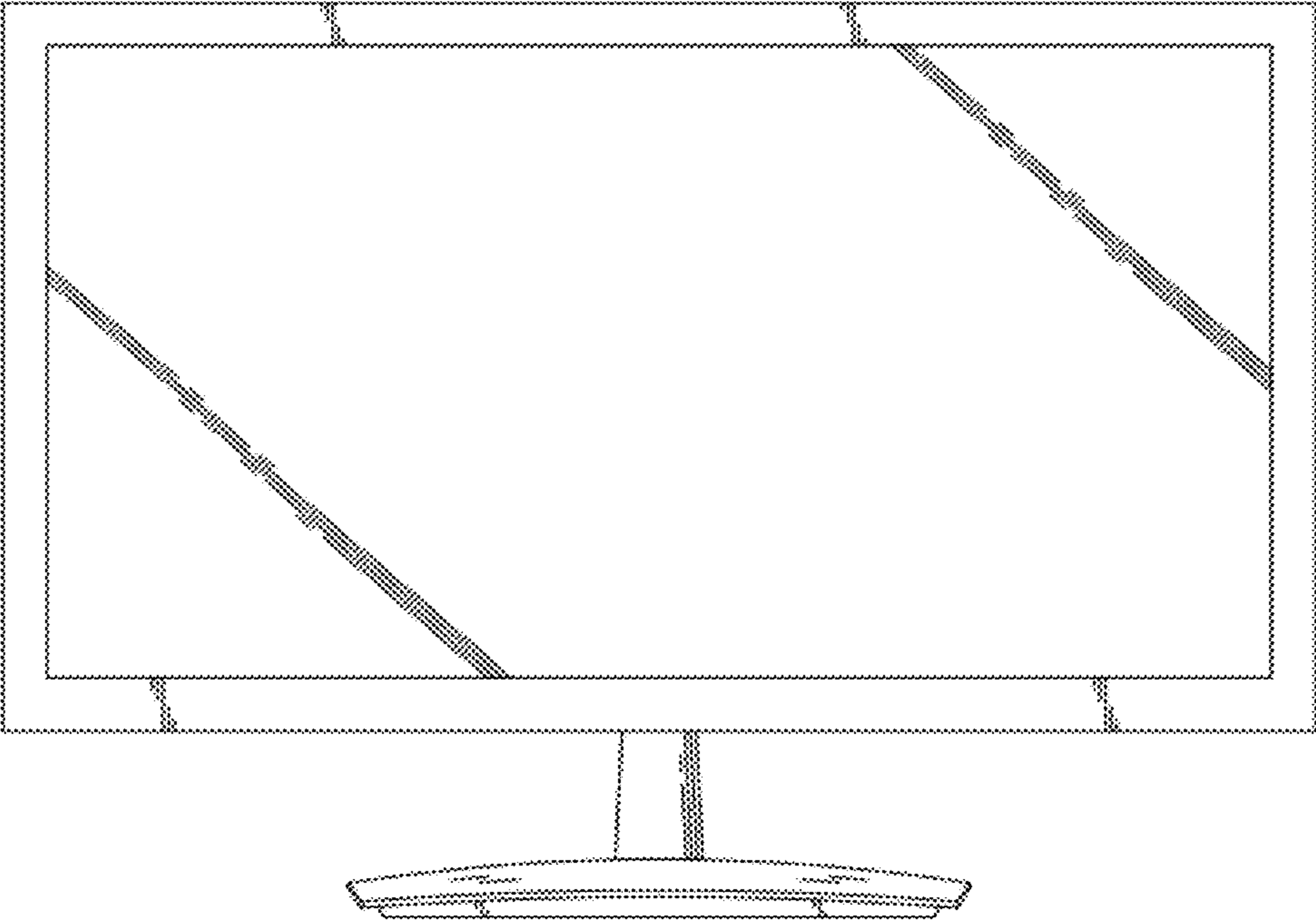


FIG. 3

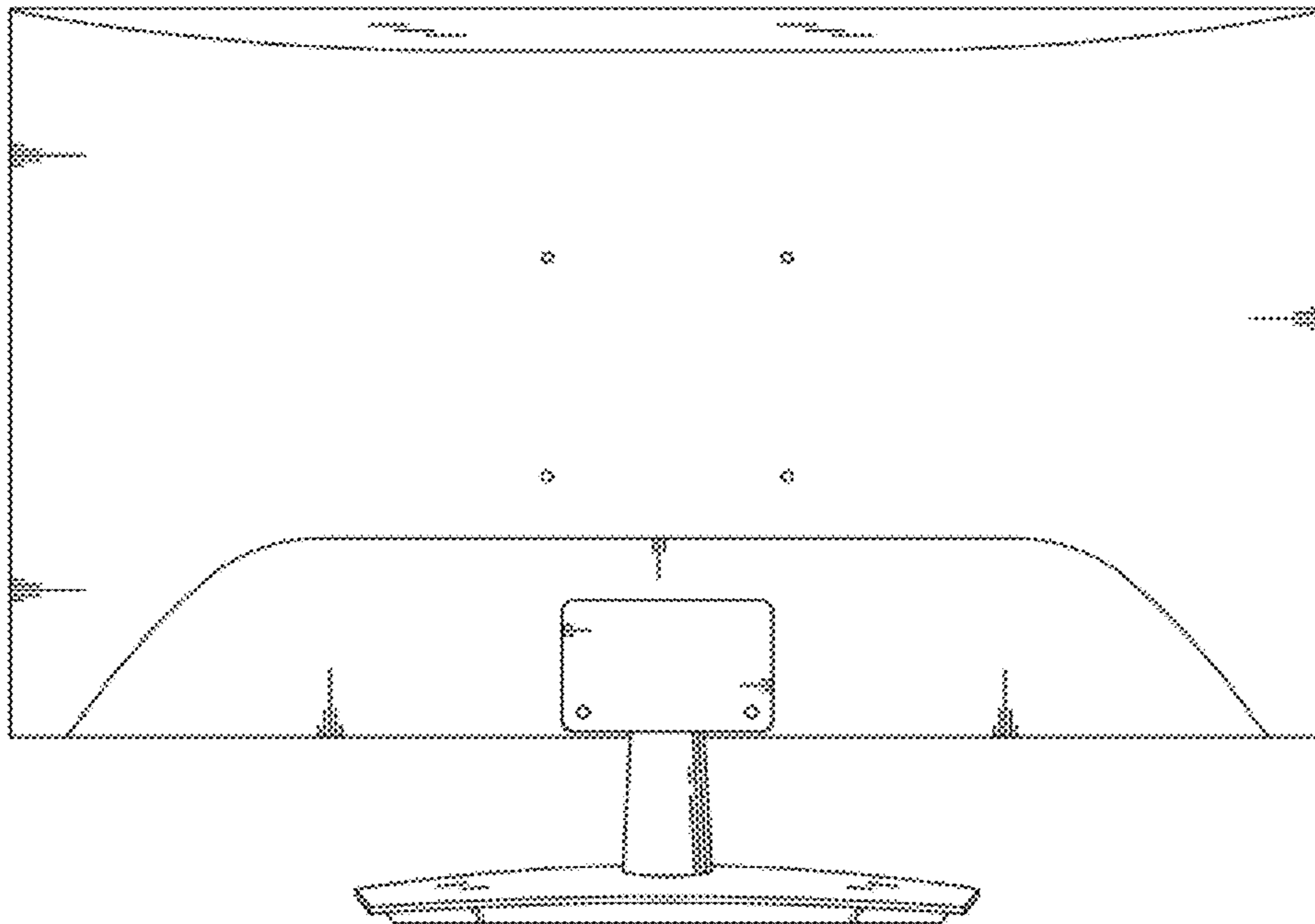


FIG. 4

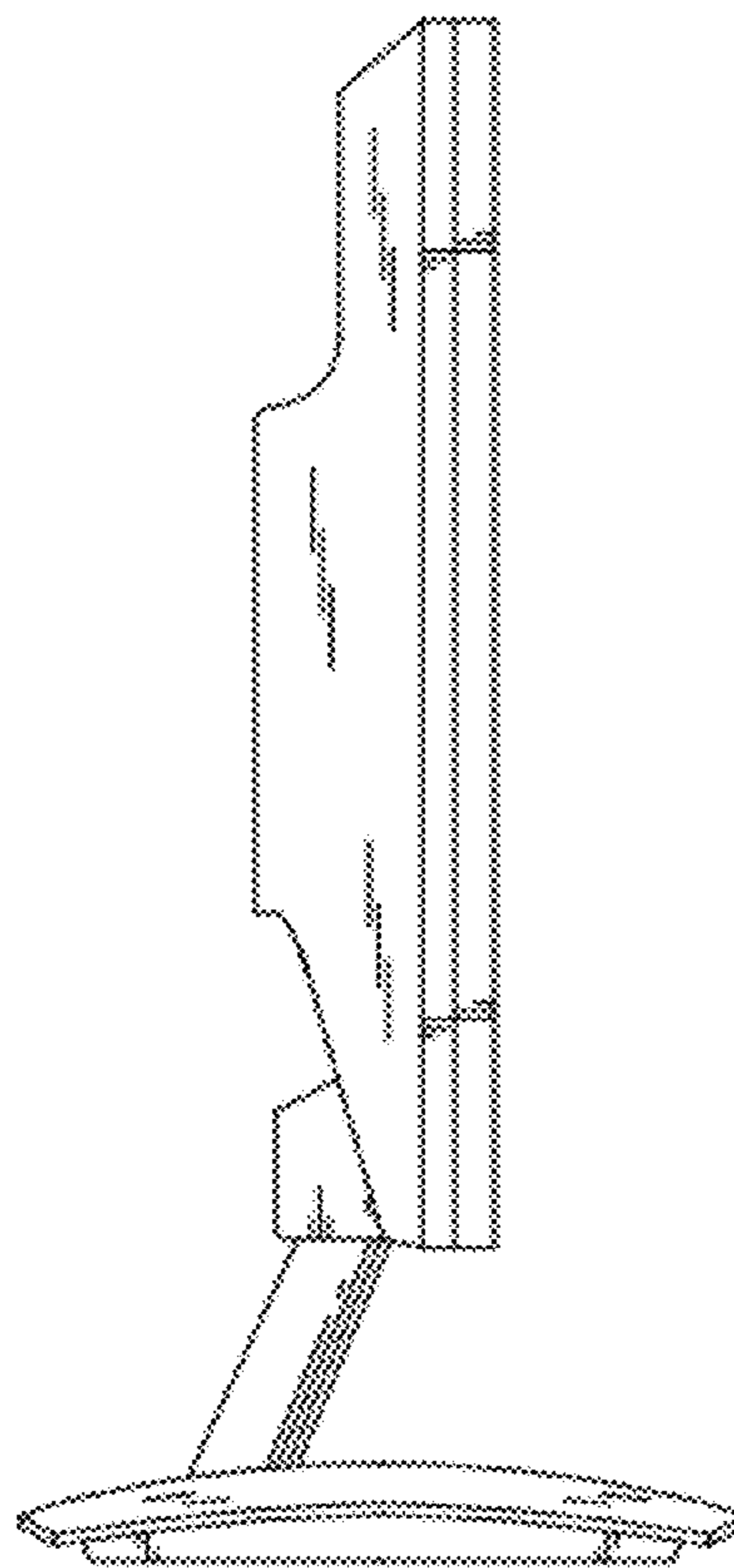


FIG. 5

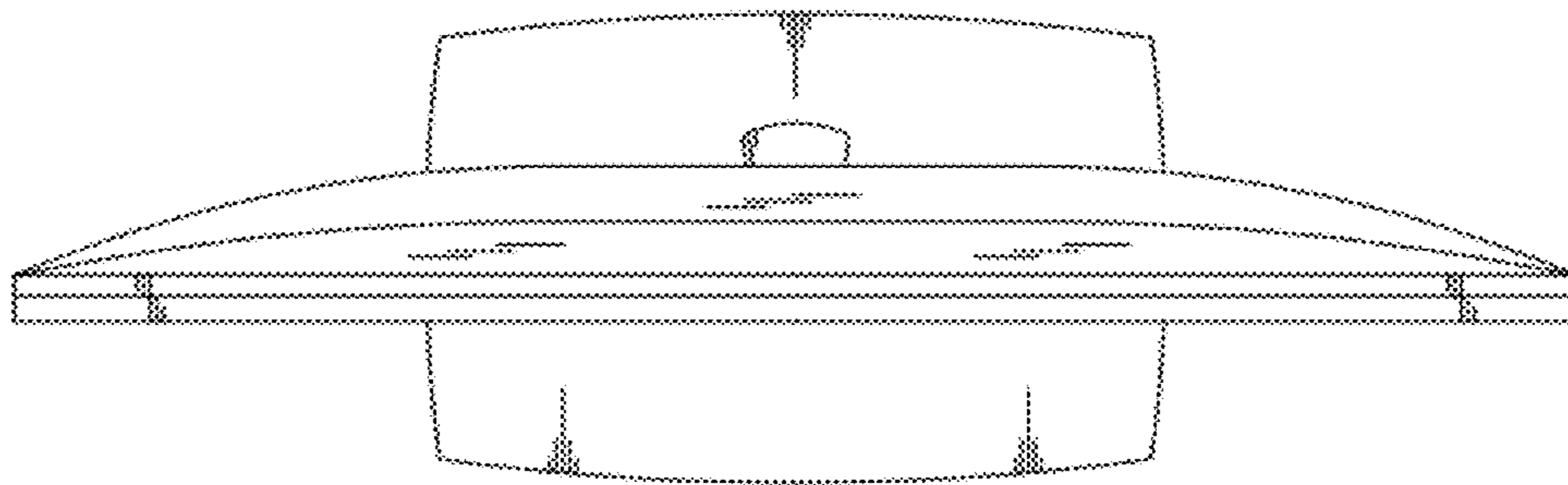


FIG. 6

