



US00D663726S

(12) **United States Design Patent**  
**Gourley**

(10) **Patent No.:** **US D663,726 S**  
(45) **Date of Patent:** **\*\* Jul. 17, 2012**

(54) **MOUNT**

(76) Inventor: **James Robert Gourley**, Dallas, TX  
(US)

(\*\*) Term: **14 Years**

(21) Appl. No.: **29/406,336**

(22) Filed: **Nov. 11, 2011**

**Related U.S. Application Data**

(63) Continuation-in-part of application No. 12/699,556,  
filed on Feb. 3, 2010.

(51) **LOC (9) Cl.** ..... **14-03**

(52) **U.S. Cl.** ..... **D14/251**

(58) **Field of Classification Search** ..... D14/140,  
D14/217, 224, 224.1, 229, 240, 243, 250-253,  
D14/299, 344, 434, 447, 451-452, 483, 496;  
D13/108; 361/679.41; 439/534; 320/115,  
320/116, 107; D8/355, 363; D12/415, 418;  
379/449, 455, 165; 248/122.1, 127, 157,  
248/205.8, 206.2, 279.1, 205.5, 309.1, 309.3,  
248/352; D3/201, 218, 269, 273, 301; D11/79;  
63/26

See application file for complete search history.

(56) **References Cited**

**U.S. PATENT DOCUMENTS**

4,202,090 A \* 5/1980 Cook ..... 29/417  
4,860,980 A \* 8/1989 Michot ..... 248/74.4  
D422,557 S \* 4/2000 Grace ..... D13/118

D462,056 S \* 8/2002 Chung ..... D13/137.1  
D474,744 S \* 5/2003 Wu ..... D13/137.1  
D508,025 S \* 8/2005 Dirks ..... D13/154  
D549,175 S \* 8/2007 Slasinski ..... D13/137.1  
D559,782 S \* 1/2008 Slasinski ..... D13/137.1  
7,459,636 B2 \* 12/2008 Conrad ..... 174/135  
D645,819 S \* 9/2011 Lin ..... D13/118

\* cited by examiner

*Primary Examiner* — Raphael Barkai

*Assistant Examiner* — Randall Gholson

(74) *Attorney, Agent, or Firm* — James R. Gourley; Carstens  
& Cahoon, LLP

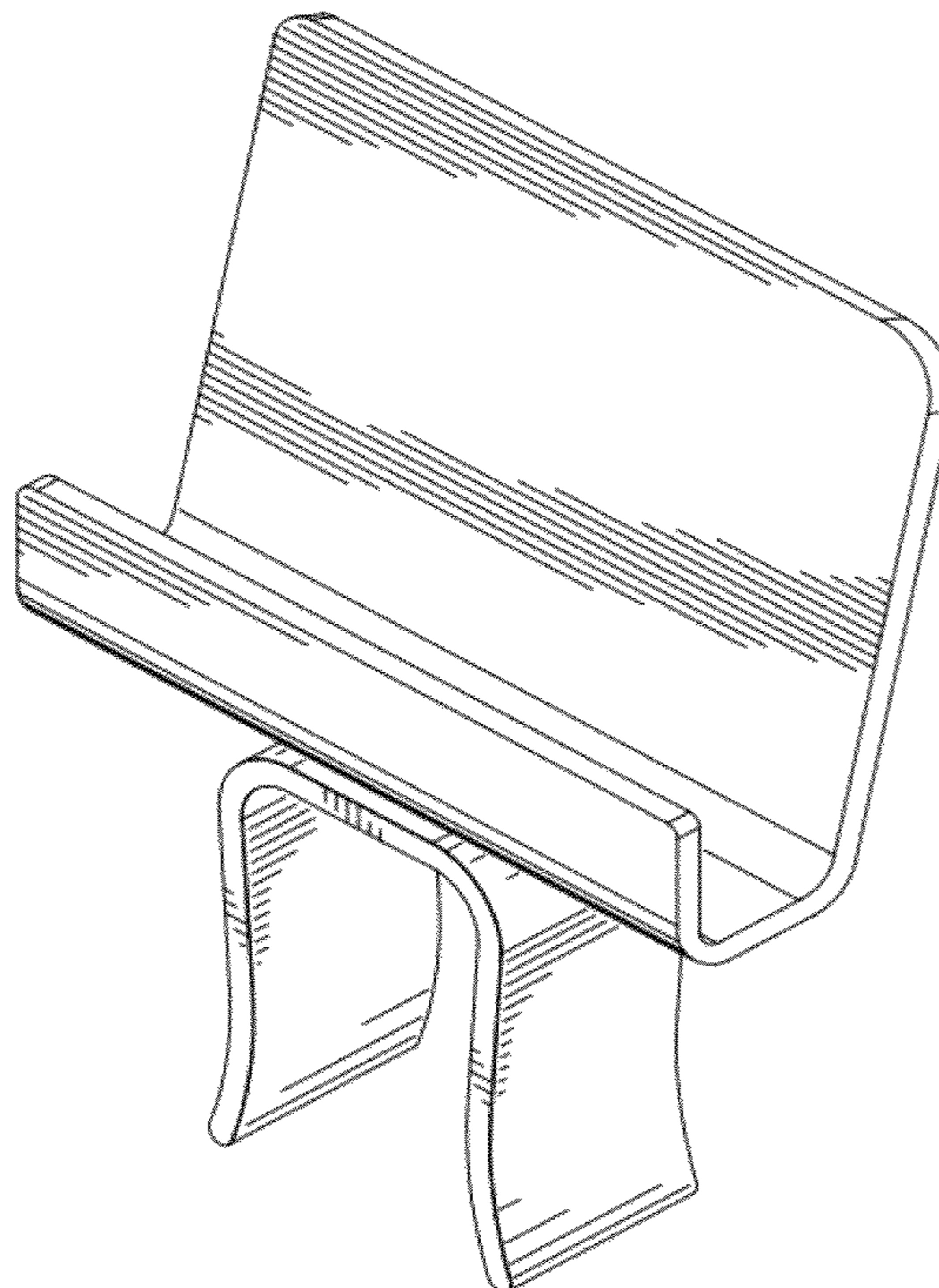
(57) **CLAIM**

The ornamental design for a mount, as shown and described.

**DESCRIPTION**

FIG. 1 is a perspective view of the mount of the present invention;  
FIG. 2 is a front view of the mount of the present invention;  
FIG. 3 is a side view of the mount of the present invention;  
FIG. 4 is a back elevation view of the mount of the present invention;  
FIG. 5 is a top elevation view of the mount of the present invention; and  
FIG. 6 is a bottom view of the mount of the present invention; and,  
FIG. 7 is another perspective view of the mount of the present invention in use.  
The broken lines are for illustrative purposes only and form no part of the claimed design.

**1 Claim, 3 Drawing Sheets**



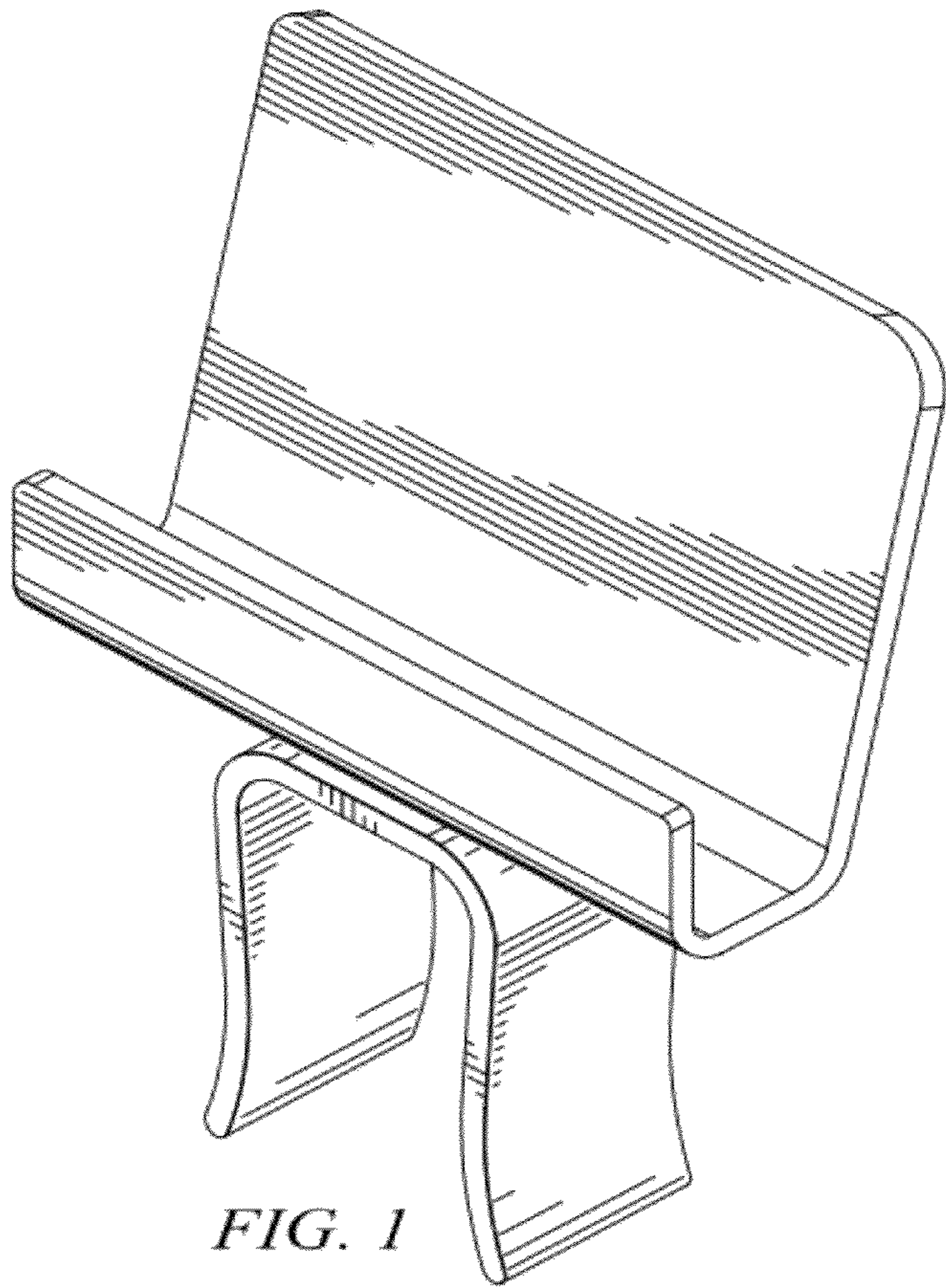


FIG. 1

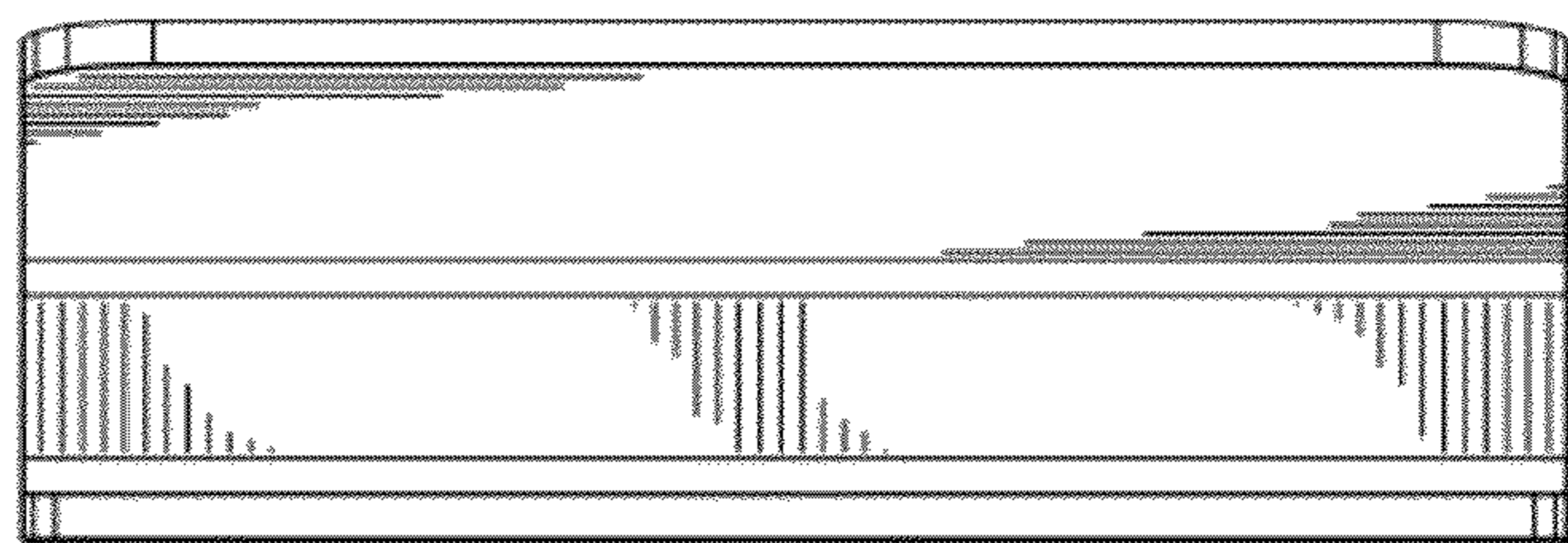


FIG. 5

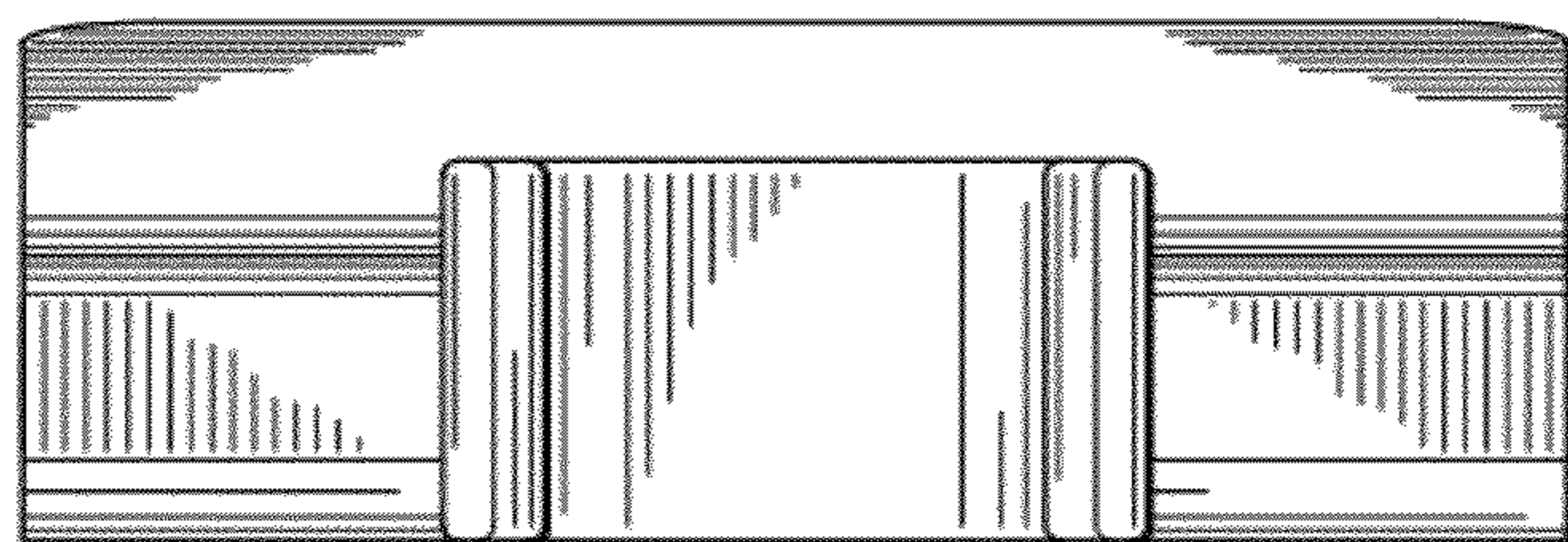


FIG. 6

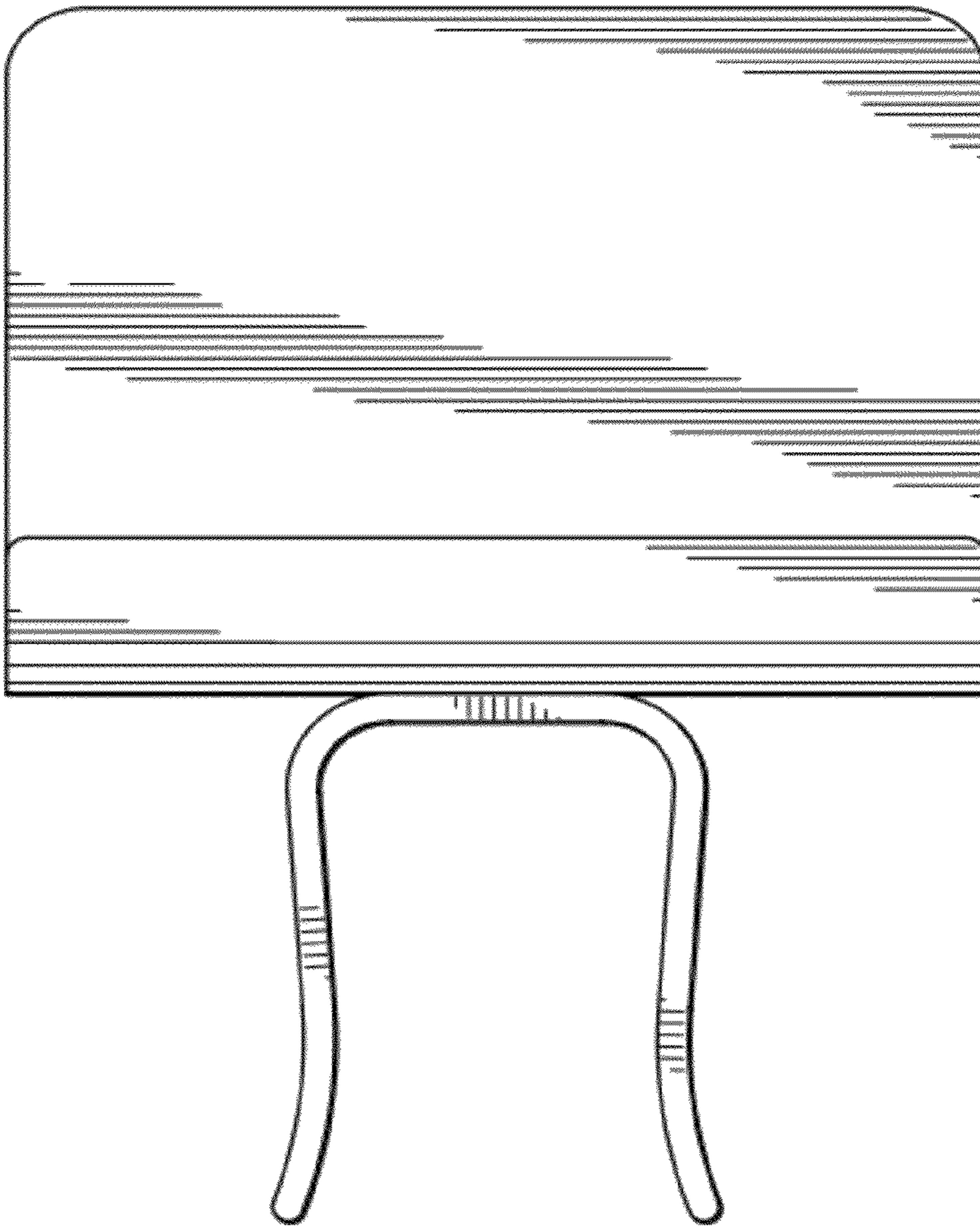


FIG. 2

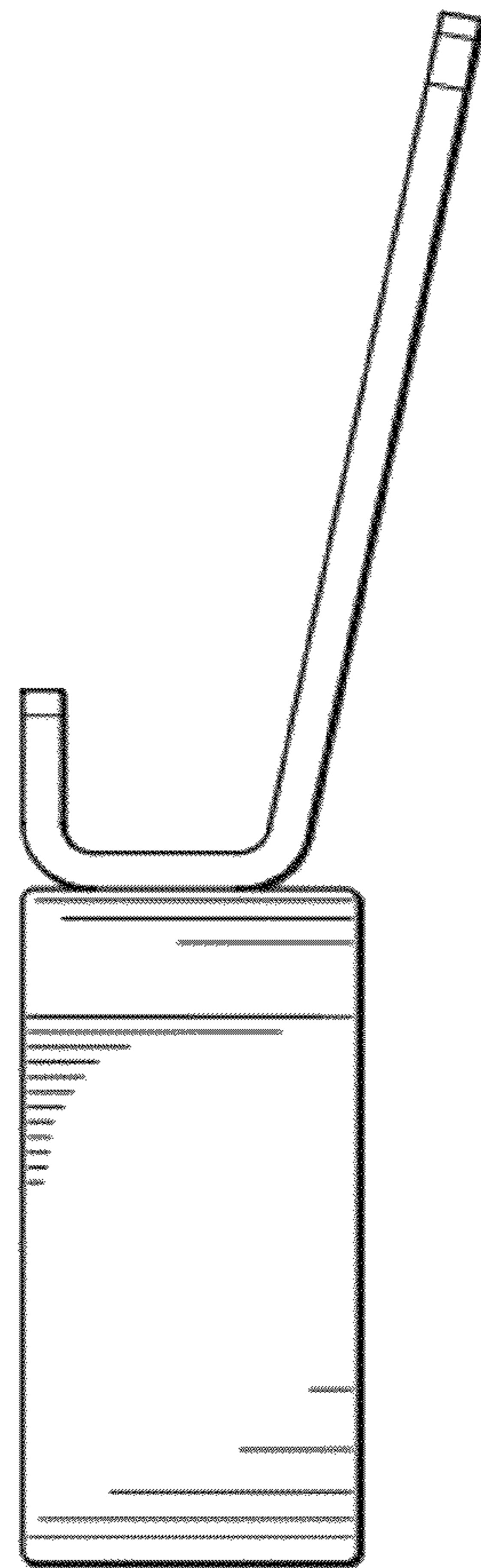


FIG. 3

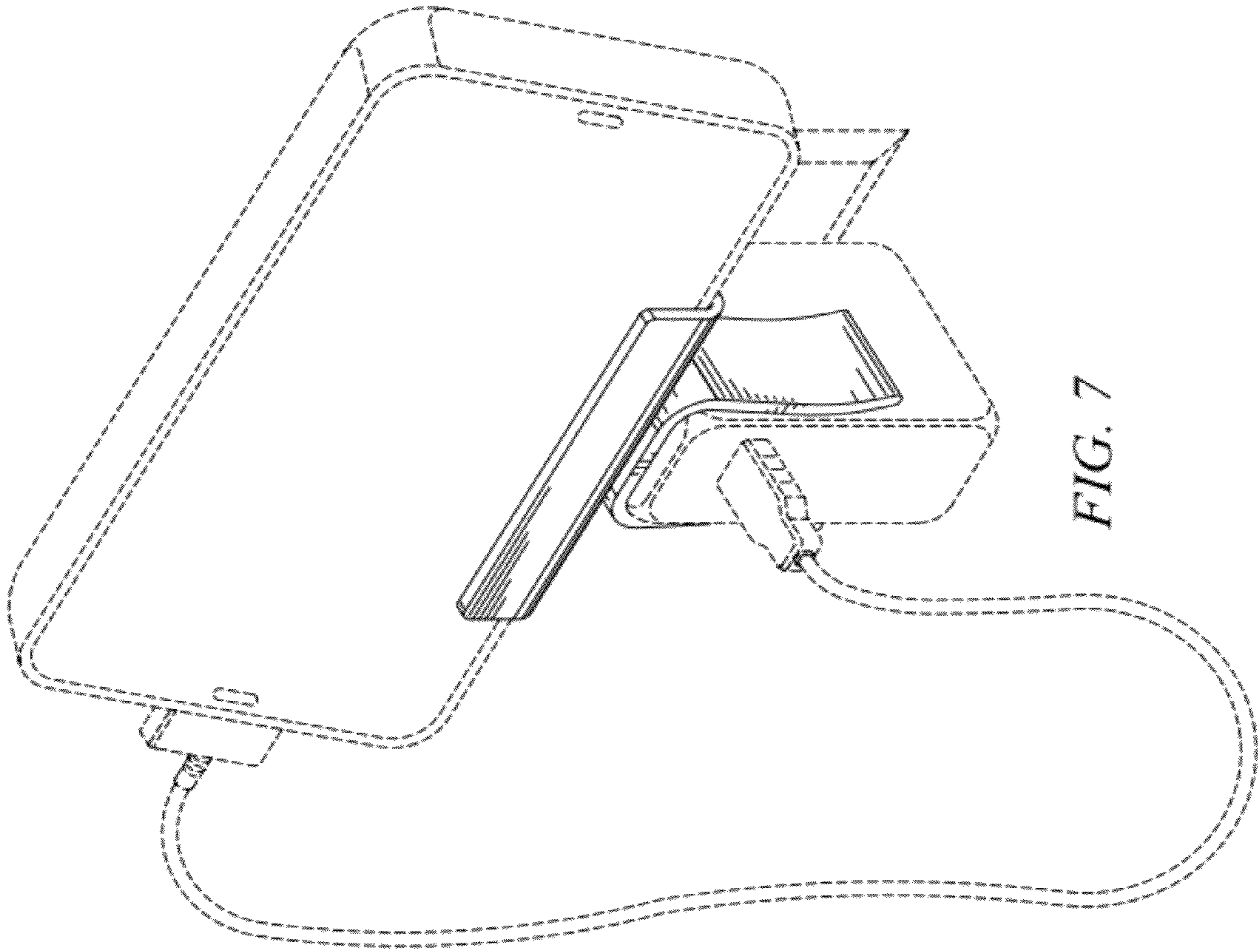


FIG. 7

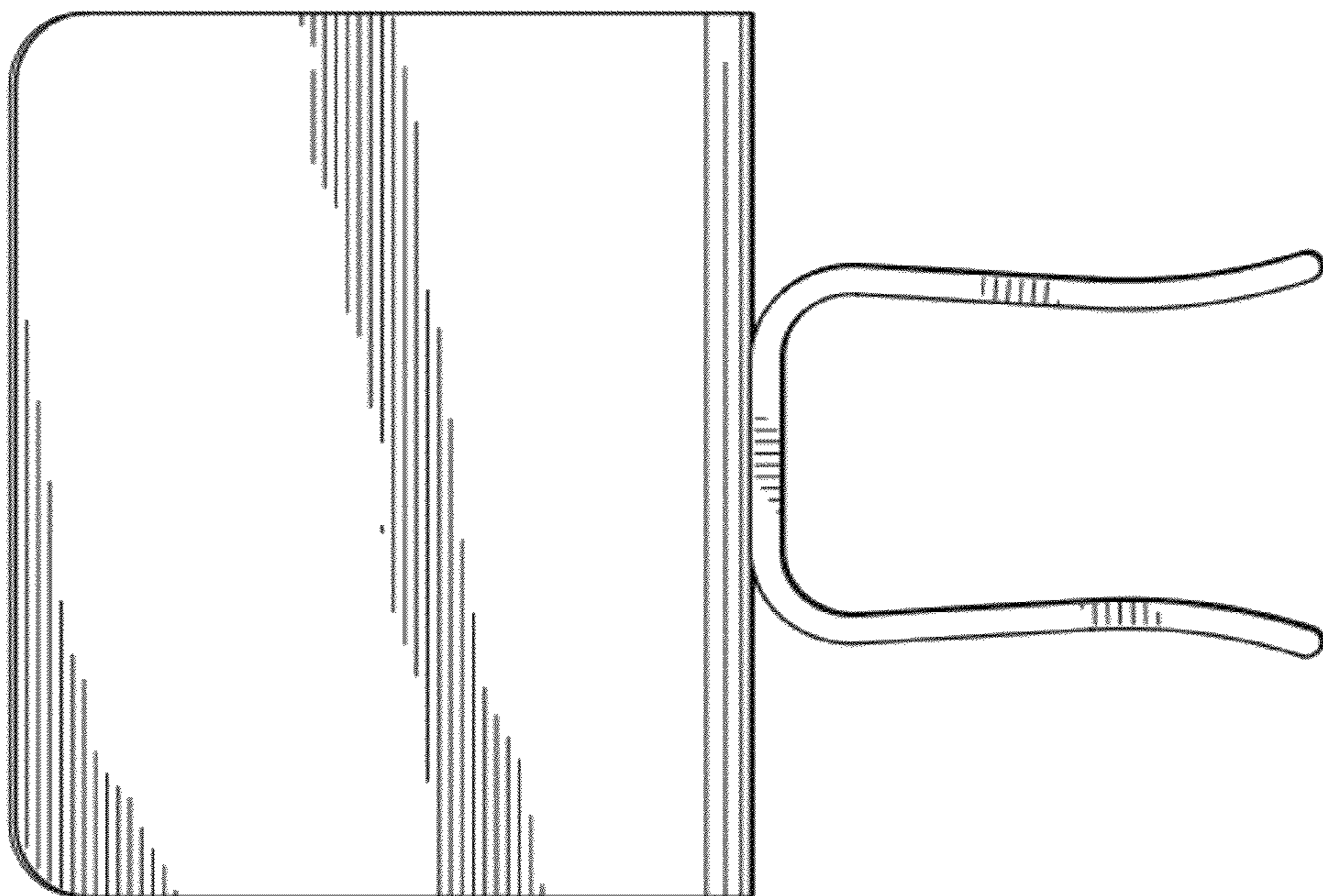


FIG. 4