

US00D663720S

(12) **United States Design Patent**
Constin

(10) **Patent No.:** **US D663,720 S**
(45) **Date of Patent:** **** Jul. 17, 2012**

(54) **MIXING DEVICE**

(75) Inventor: **Hans-Peter Constin**, Berlin (DE)

(73) Assignee: **Robert Bosch GmbH**, Stuttgart (DE)

(**) Term: **14 Years**

(21) Appl. No.: **29/387,055**

(22) Filed: **Mar. 8, 2011**

(30) **Foreign Application Priority Data**

Sep. 9, 2010 (EM) 001752635

(51) **LOC (9) Cl.** **14-01**

(52) **U.S. Cl.** **D14/217**

(58) **Field of Classification Search** D14/162,
D14/167-169, 175, 188, 196-198, 217, 257,
D14/258, 496; D13/163, 164; 84/625, 660,
84/697; 455/350

See application file for complete search history.

(56) **References Cited**

U.S. PATENT DOCUMENTS

D325,383	S	*	4/1992	Ito et al.	D14/217
D357,255	S	*	4/1995	Ito et al.	D14/217
D362,003	S	*	9/1995	Claudio	D14/240
D424,056	S	*	5/2000	Ito et al.	D14/162
D426,231	S	*	6/2000	Mackie	D14/217
D433,673	S	*	11/2000	Ito et al.	D14/217
D434,407	S	*	11/2000	Mackie	D14/217
D435,250	S	*	12/2000	Mackie et al.	D14/217
D453,327	S	*	2/2002	Takita et al.	D14/217
D455,731	S	*	4/2002	Mackie et al.	D14/217
D490,800	S	*	6/2004	Kitazawa	D14/217
D491,554	S	*	6/2004	Amiya	D14/217

6,955,293	B1	*	10/2005	Katsanevas	235/379
D511,767	S	*	11/2005	Ishizaki et al.	D14/217
D561,735	S	*	2/2008	Nagura et al.	D14/168
D573,587	S	*	7/2008	Amiya	D14/217
D595,735	S	*	7/2009	Green	D14/496
D609,218	S	*	2/2010	Ito	D14/217
D609,219	S	*	2/2010	Ito	D14/217
D630,617	S	*	1/2011	Ayres et al.	D14/217

* cited by examiner

Primary Examiner — Stella Reid

Assistant Examiner — Keli L Hill

(74) *Attorney, Agent, or Firm* — Maginot, Moore & Beck

(57) **CLAIM**

The ornamental design for a mixing device, as shown and described.

DESCRIPTION

FIG. 1 is a perspective view of a mixing device showing my new design;

FIG. 2 is a right side elevational view showing the design for the mixing device of FIG. 1;

FIG. 3 is left side elevational view showing the design for the mixing device of FIG. 1;

FIG. 4 is a front elevational view showing the design for the mixing device of FIG. 1;

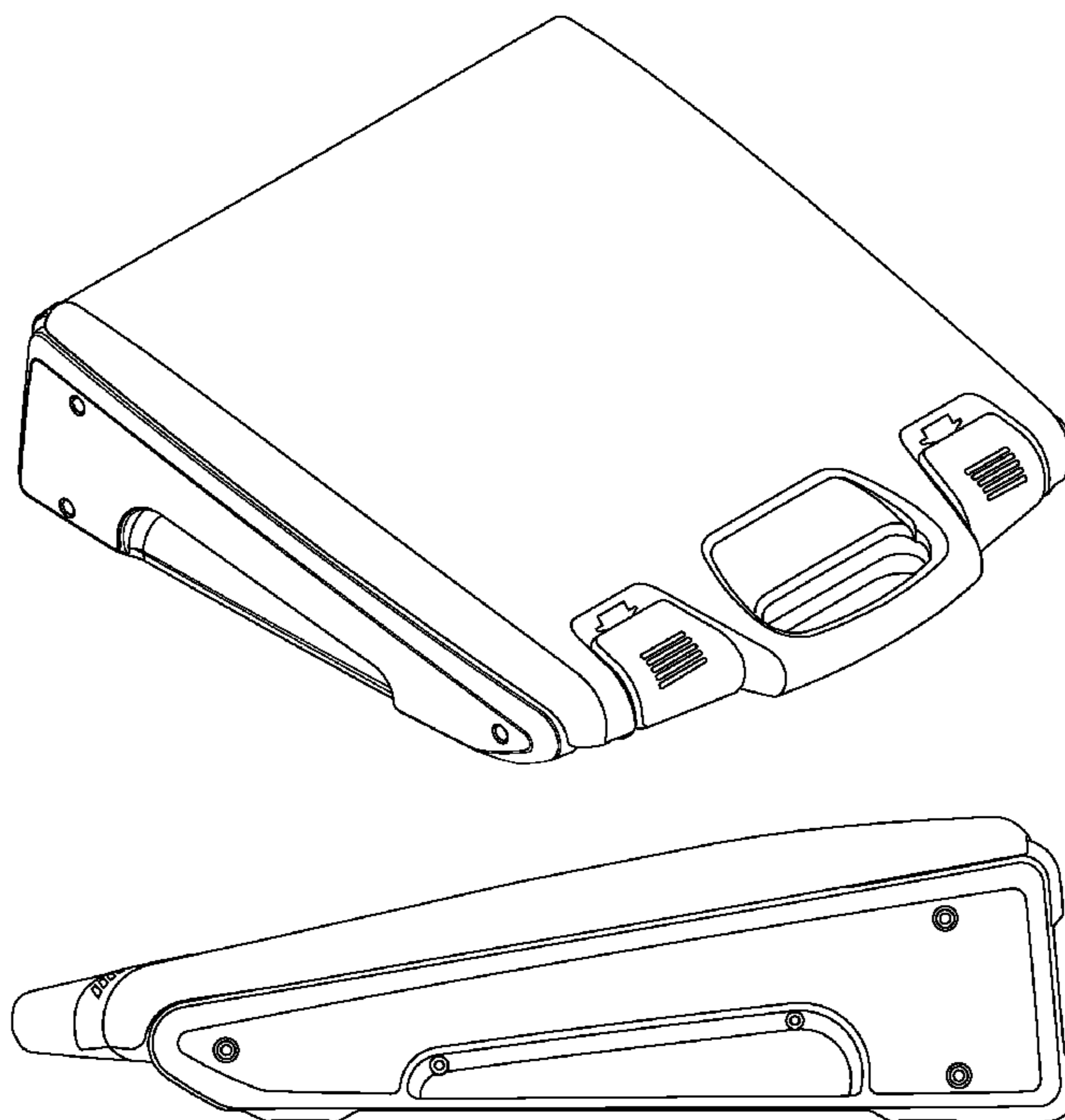
FIG. 5 is a rear elevational view showing the design for the mixing device of FIG. 1.

FIG. 6 is a top elevational view showing the design for the mixing device of FIG. 1; and,

FIG. 7 is a bottom elevational view showing the design for the mixing device of FIG. 1.

The broken lines shown are included for the purpose of illustrating unclaimed portions of the mixing device and form no part of the claim.

1 Claim, 7 Drawing Sheets



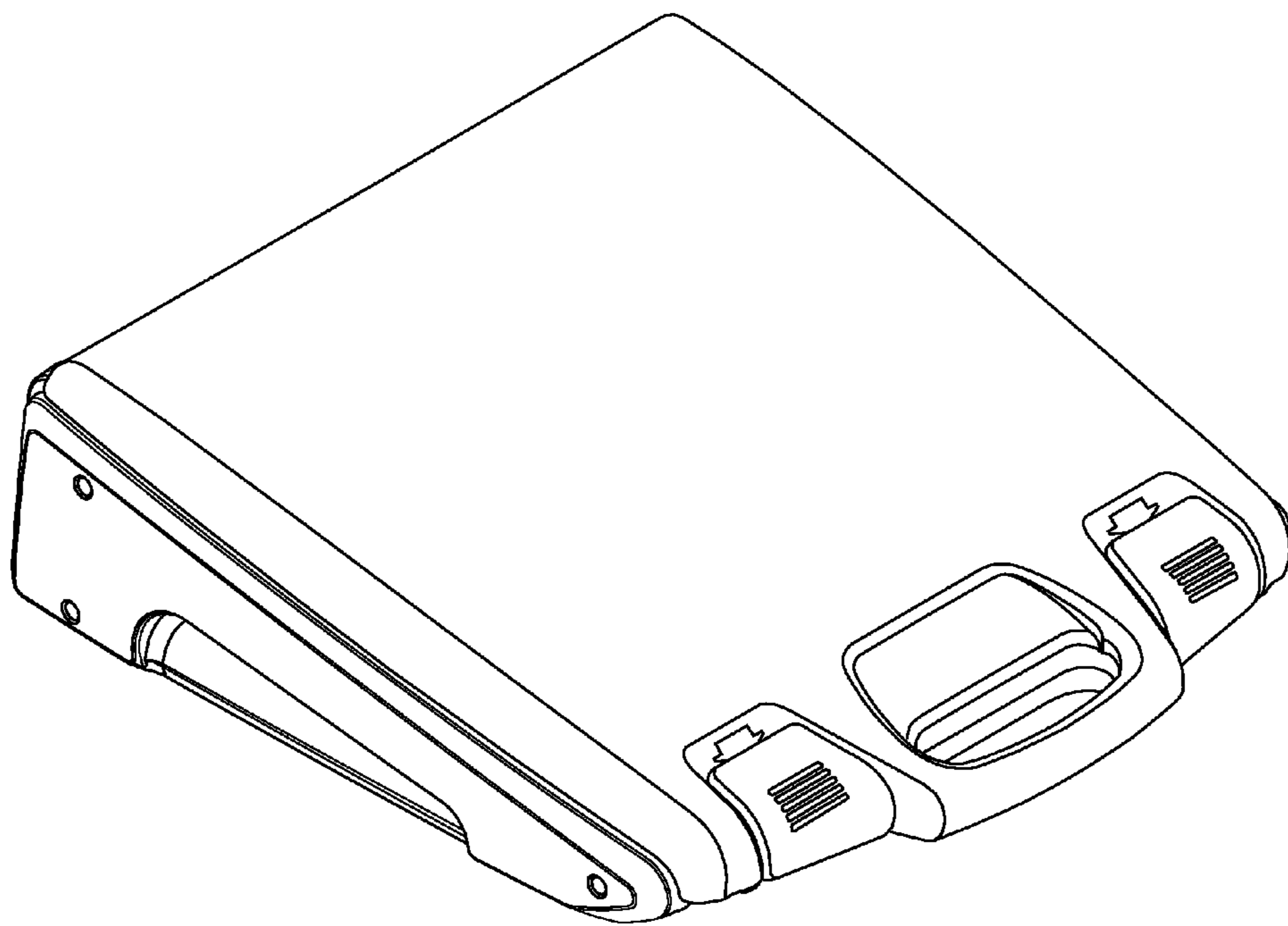


Fig. 1

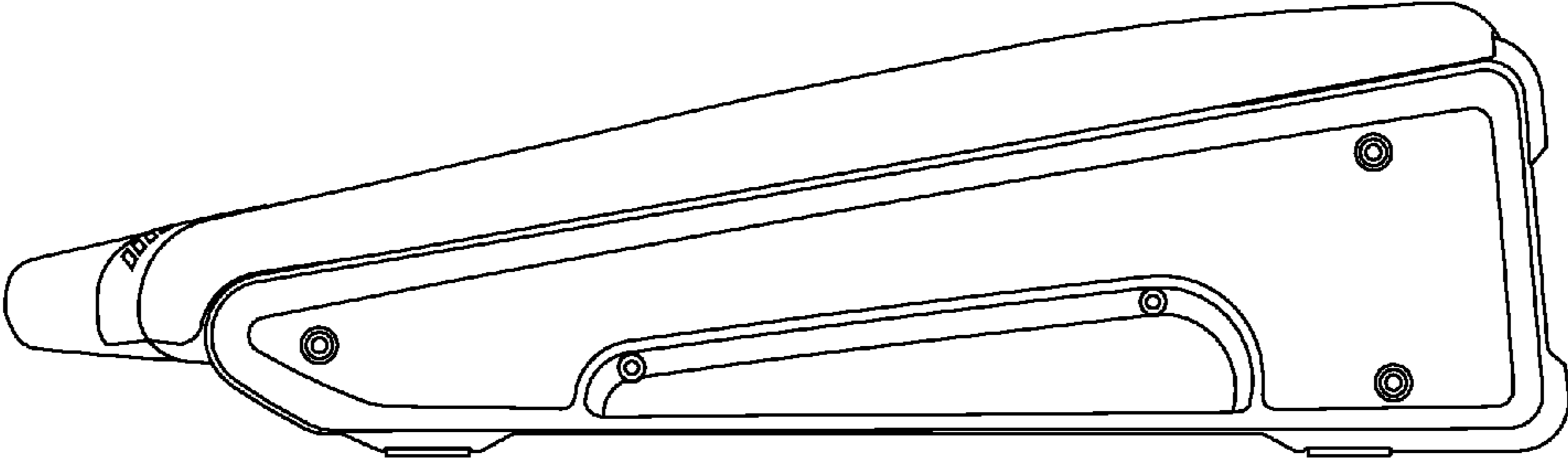


Fig. 2

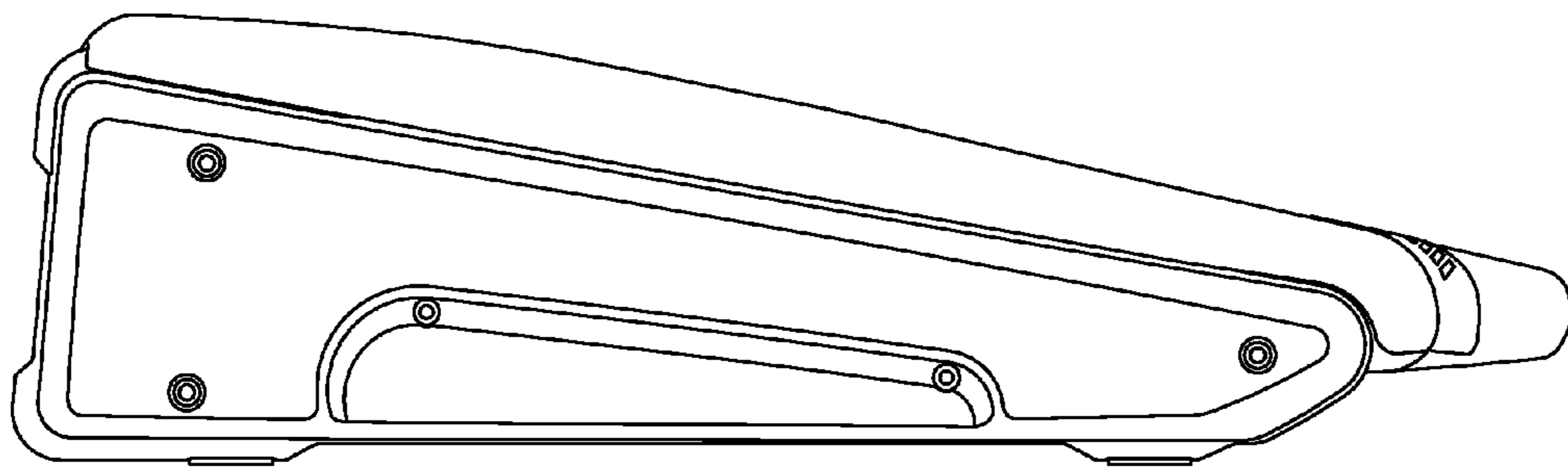


Fig. 3

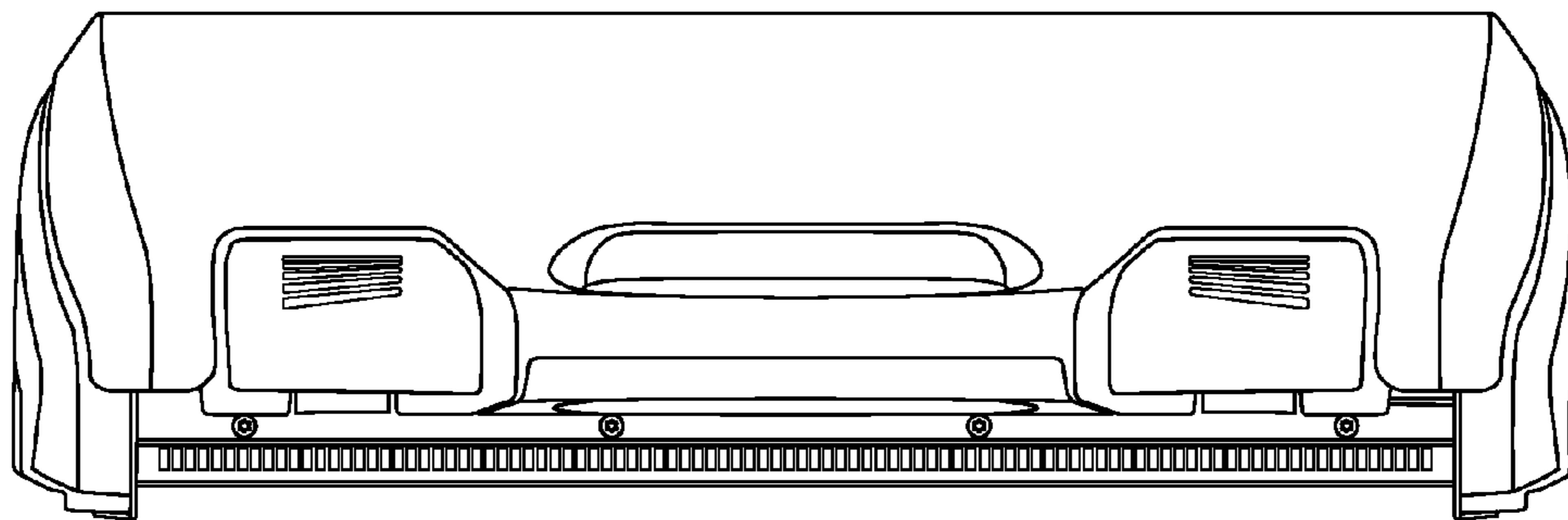


Fig. 4

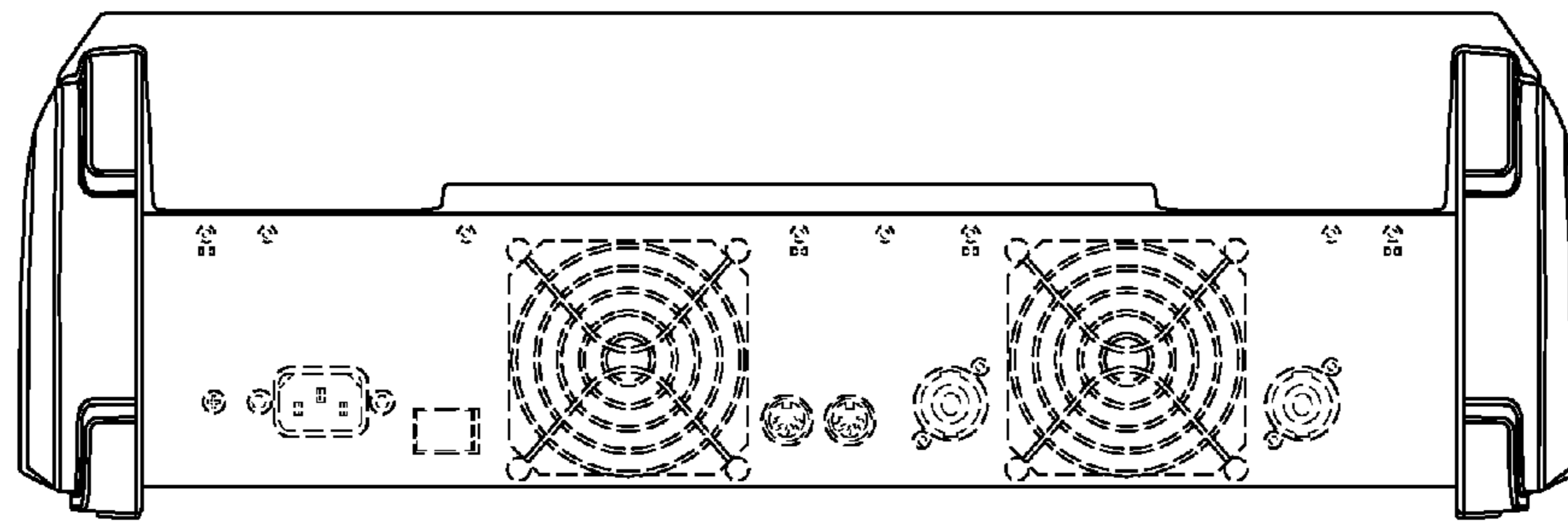


Fig. 5

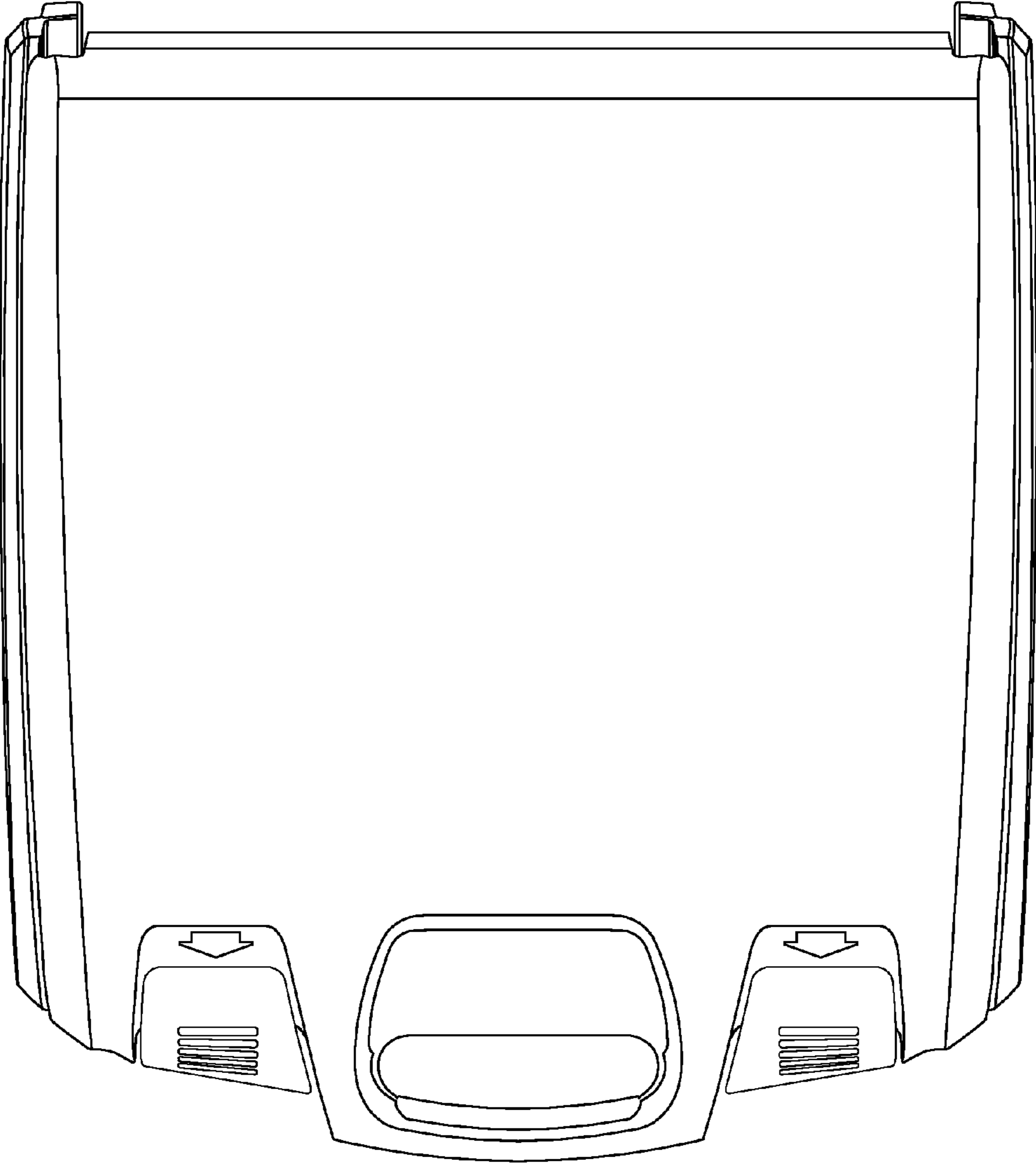


Fig. 6

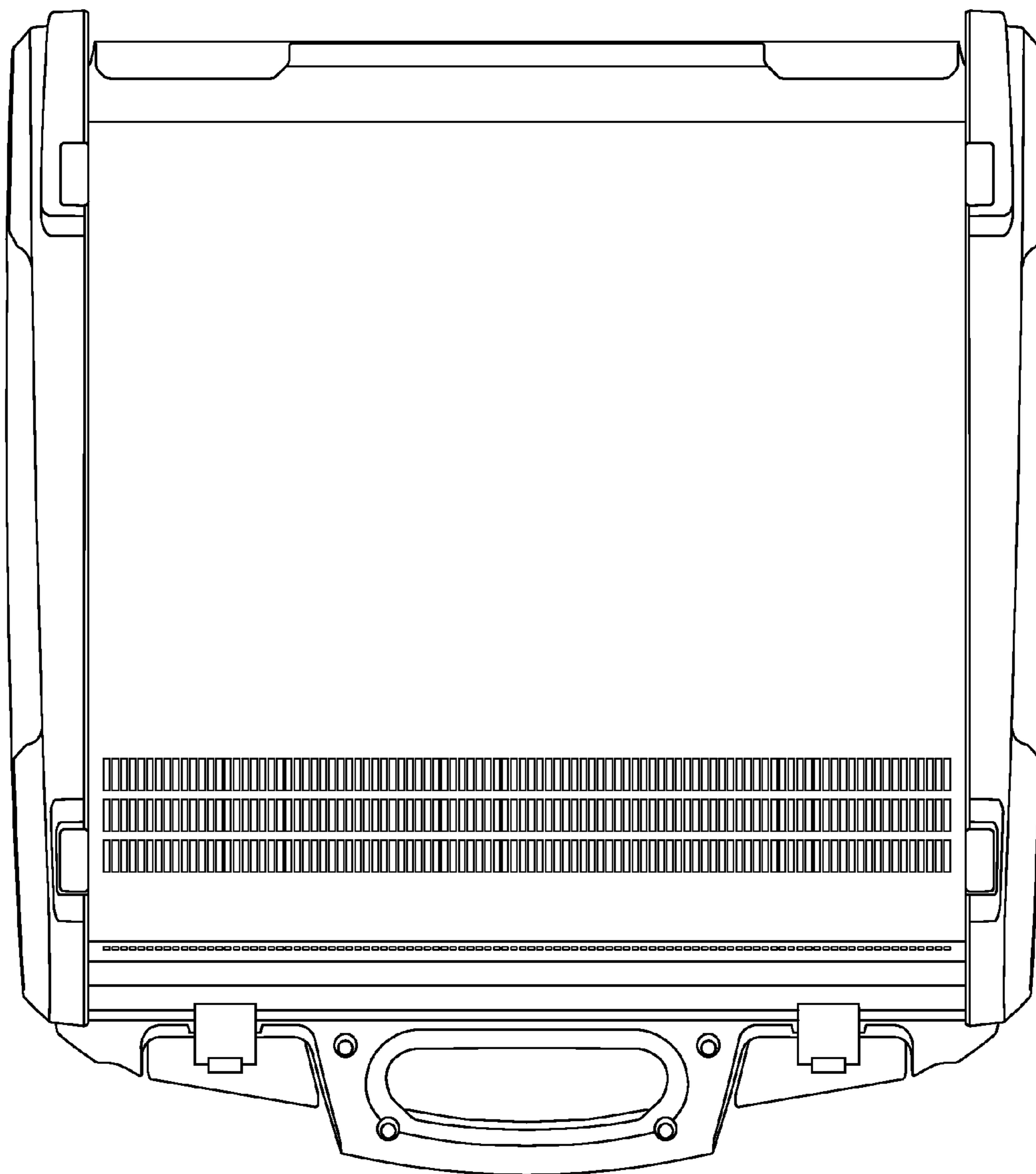


Fig. 7