



US00D663719S

(12) **United States Design Patent**
Warden et al.

(10) **Patent No.:** **US D663,719 S**
(45) **Date of Patent:** **** Jul. 17, 2012**

(54) **LOUDSPEAKER**

(76) Inventors: **Robert A. Warden**, Southborough, MA
(US); **Randy J. Kulchy**, Shrewsbury,
MA (US)

(**) Term: **14 Years**

(21) Appl. No.: **29/411,199**

(22) Filed: **Jan. 18, 2012**

Related U.S. Application Data

(62) Division of application No. 29/376,288, filed on Oct.
5, 2010, now Pat. No. Des. 654,906.

(51) **LOC (9) Cl.** **14-01**

(52) **U.S. Cl.** **D14/214**

(58) **Field of Classification Search** D14/204,
D14/210, 218, 172; 181/143, 147, 148, 150,
181/153, 157, 198, 199, 166, 144; 381/300–303,
381/306, 332, 333, 336, 345, 361–364, 370,
381/386–388

See application file for complete search history.

(56) **References Cited**

U.S. PATENT DOCUMENTS

4,165,797 A * 8/1979 Spetalnik 181/147
D295,857 S * 5/1988 Nagashima D14/210

4,805,730 A * 2/1989 O'Neill et al. 181/148
4,843,624 A * 6/1989 Rashak 381/91
D462,065 S * 8/2002 Silverstein et al. D14/214
D484,484 S * 12/2003 Green D14/204
6,978,030 B2 * 12/2005 Reich 381/124
7,324,684 B2 * 1/2008 Enokido et al. 382/145
7,328,769 B1 * 2/2008 Adamson 181/199
D569,844 S * 5/2008 Thompson et al. D14/214
D637,580 S * 5/2011 Aranda et al. D14/214
D641,339 S * 7/2011 Miller D14/214
D660,285 S * 5/2012 Lee et al. D14/214

* cited by examiner

Primary Examiner — Prabhakar Deshmukh

(57) **CLAIM**

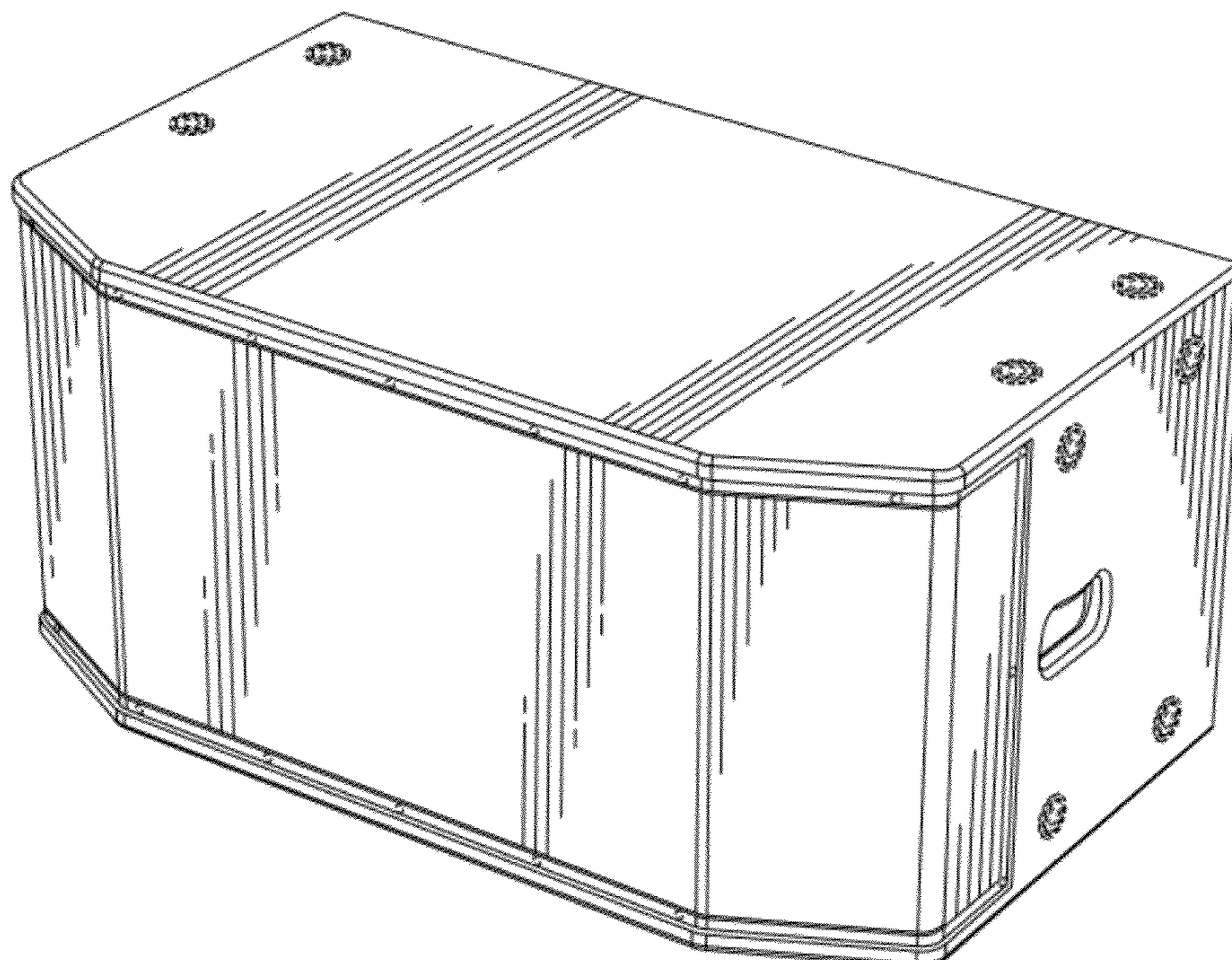
The ornamental design for a loudspeaker, substantially as
shown and described.

DESCRIPTION

FIG. 1 is a perspective view of our new design as seen from
the front, top and right side of the loudspeaker;
FIG. 2 is a front view thereof;
FIG. 3 is a back view thereof;
FIG. 4 is a top view thereof;
FIG. 5 is a bottom view thereof;
FIG. 6 is a right side view thereof; and,
FIG. 7 is a left side view thereof.

The broken lines shown in the figures are for environmental
purposes only and form no part of the claimed design.

1 Claim, 6 Drawing Sheets



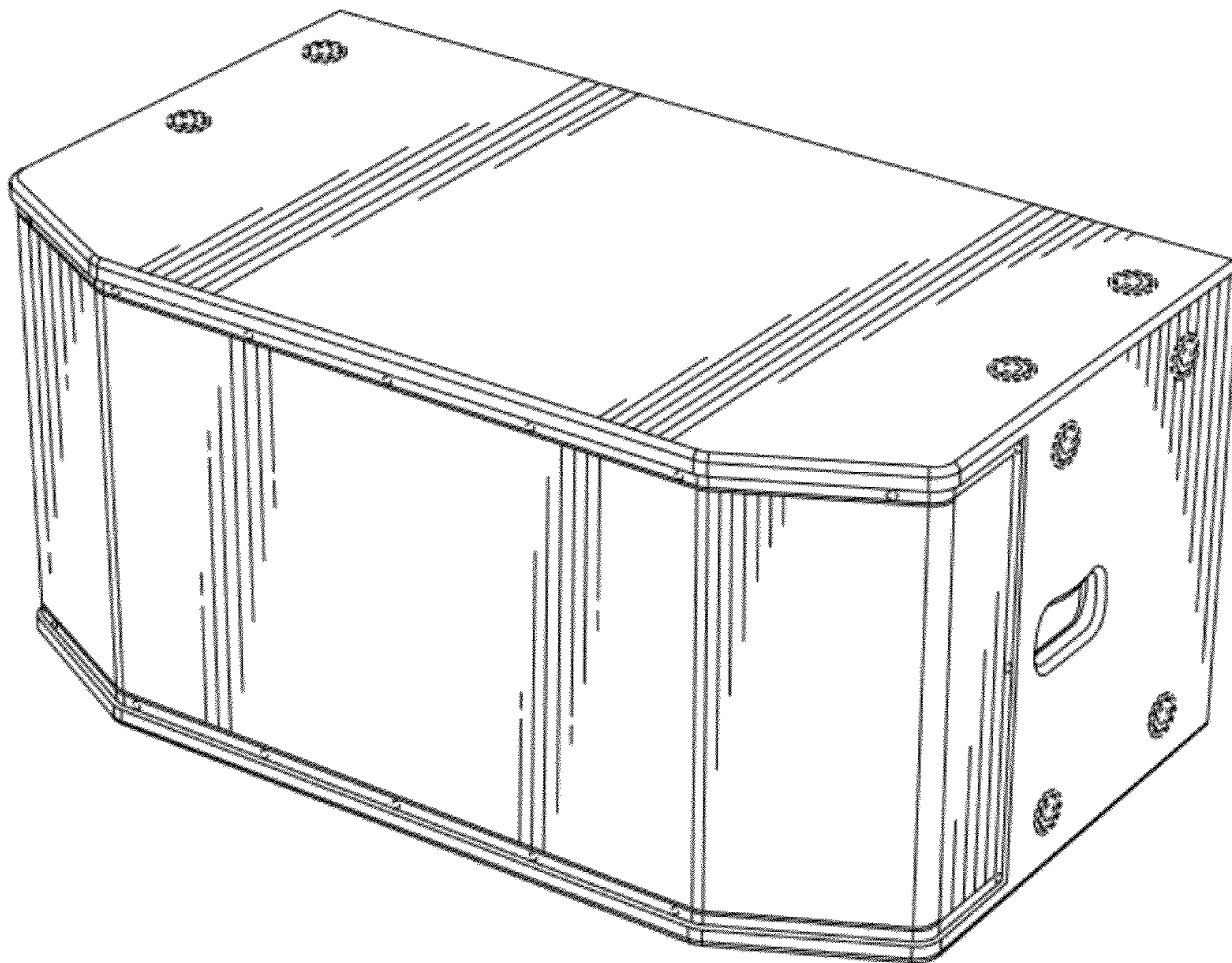


FIG. 1

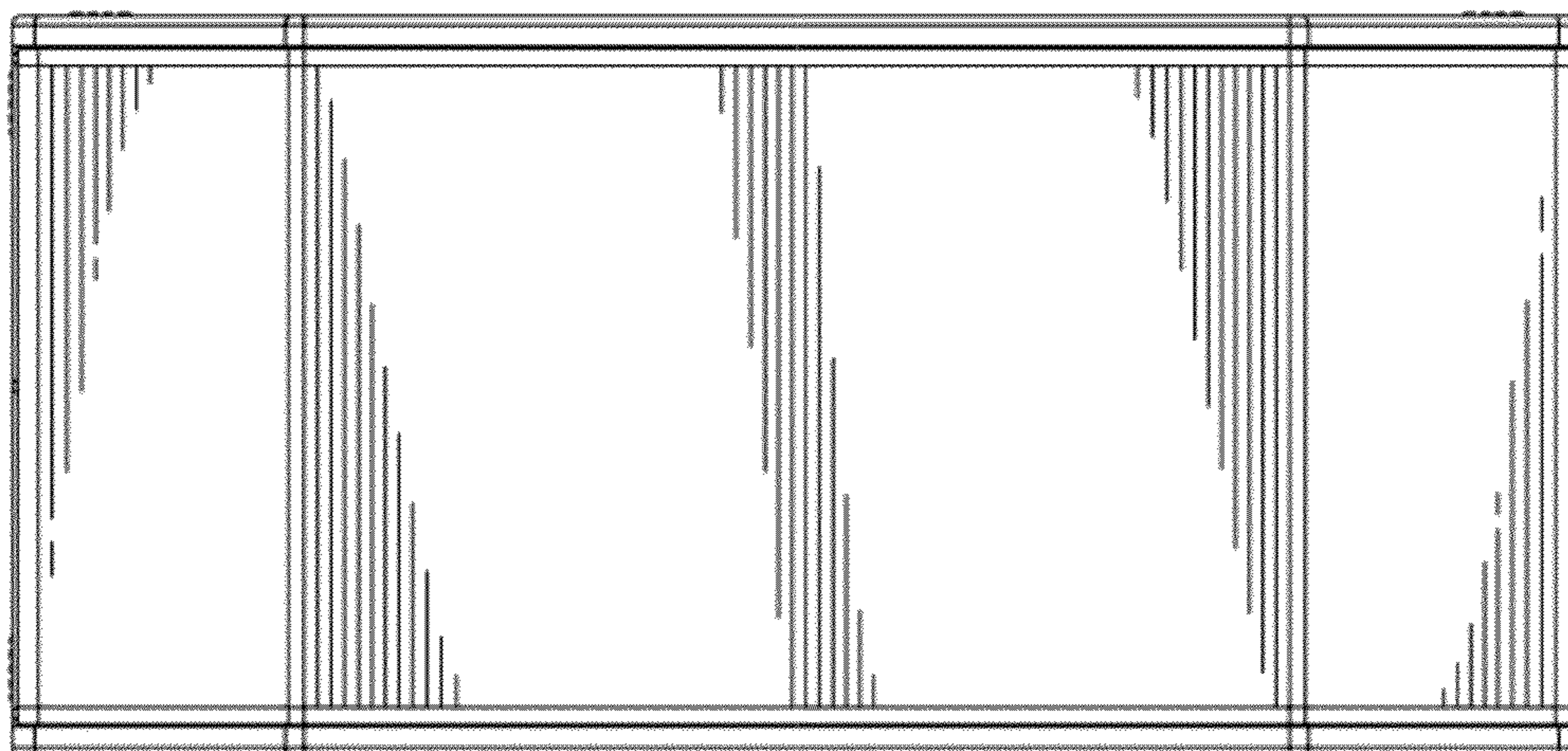


FIG. 2

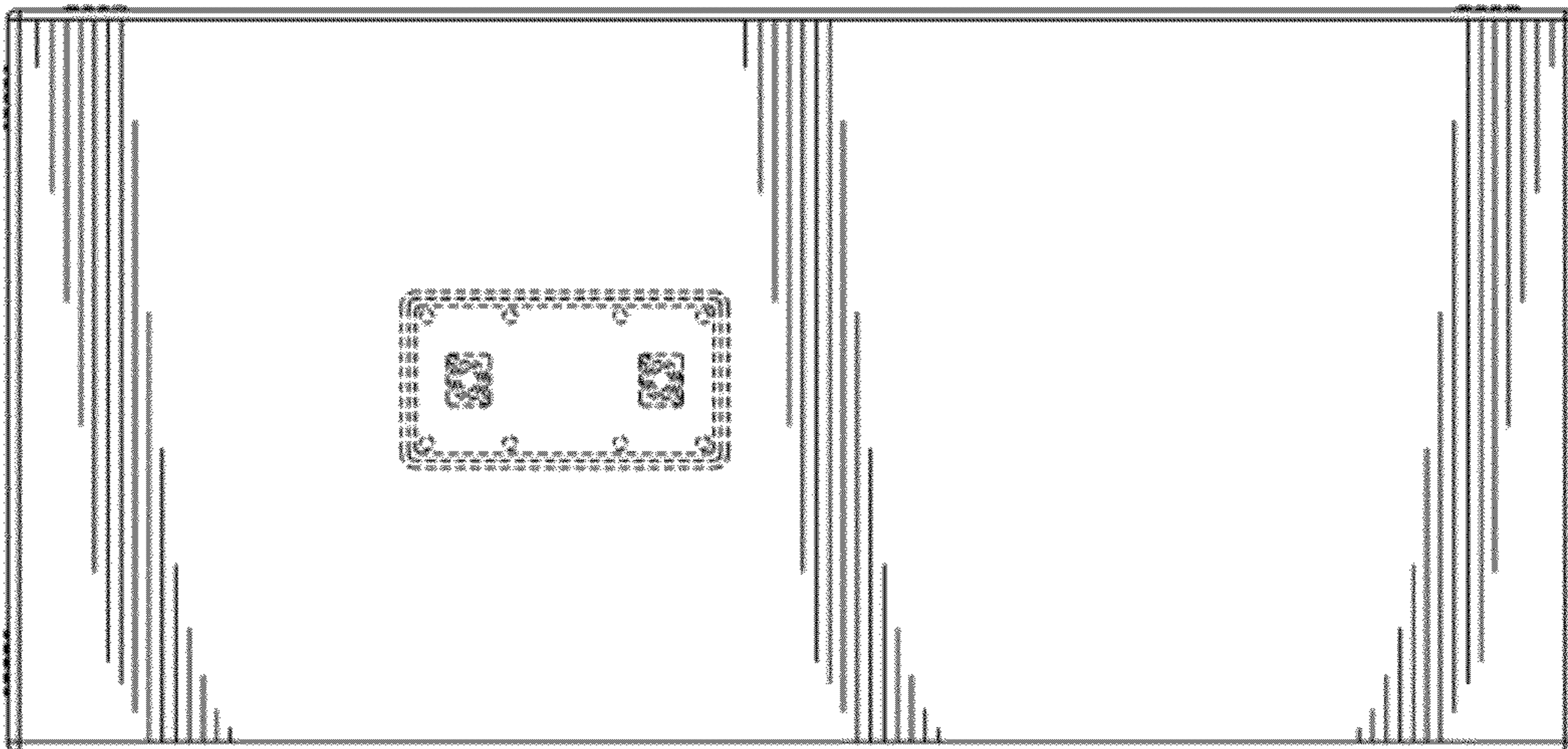


FIG. 3

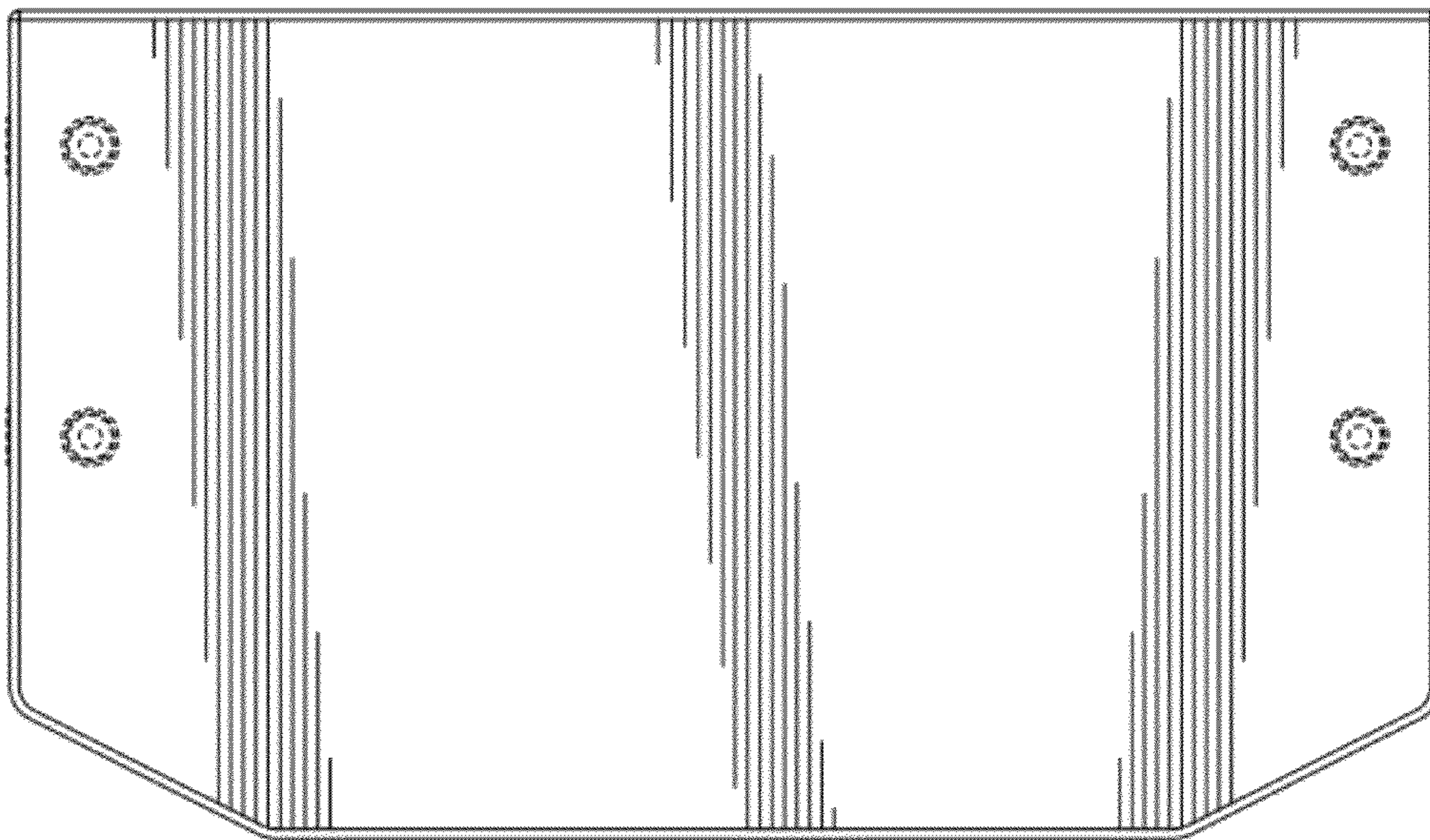


FIG. 4

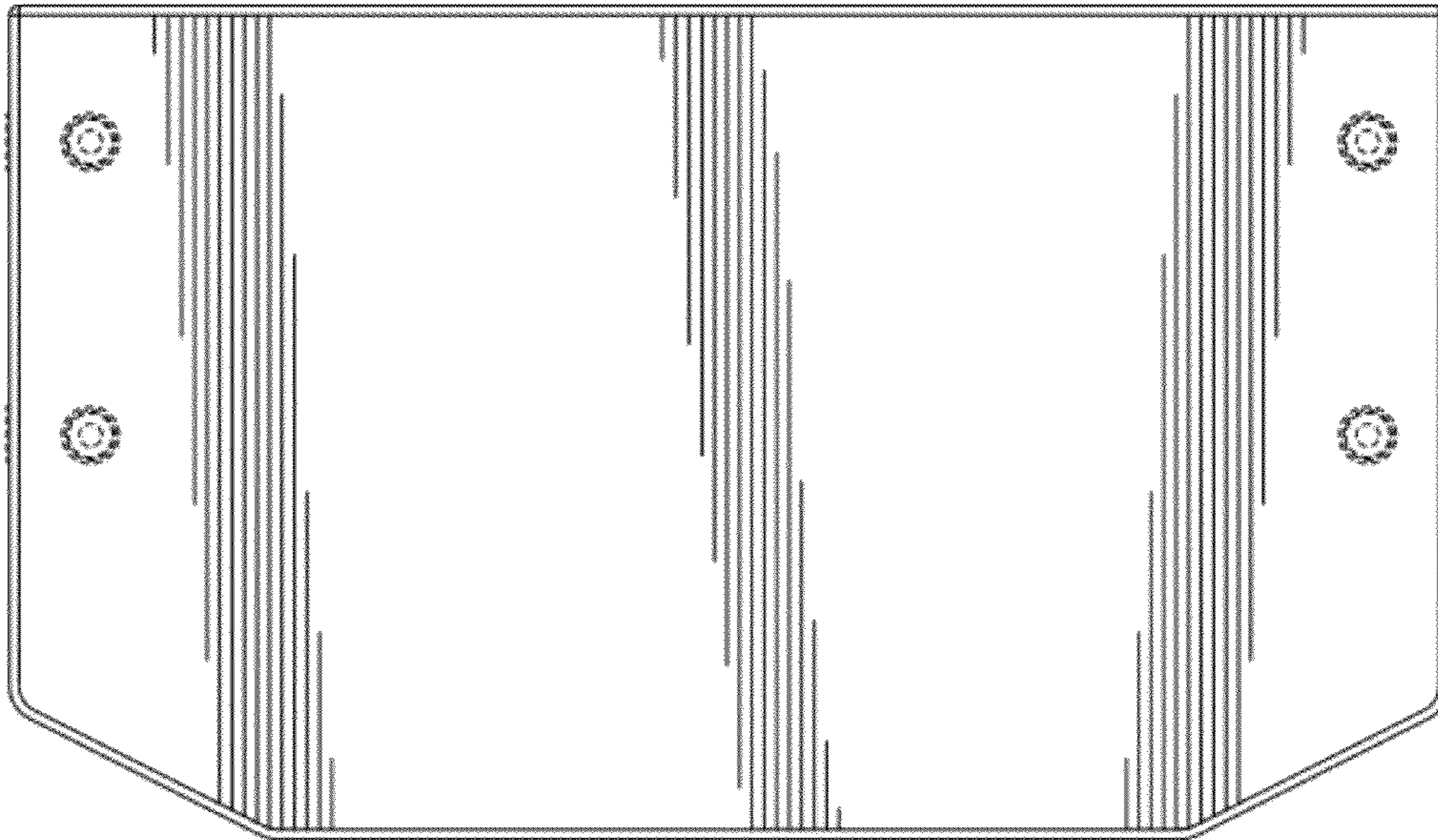


FIG. 5

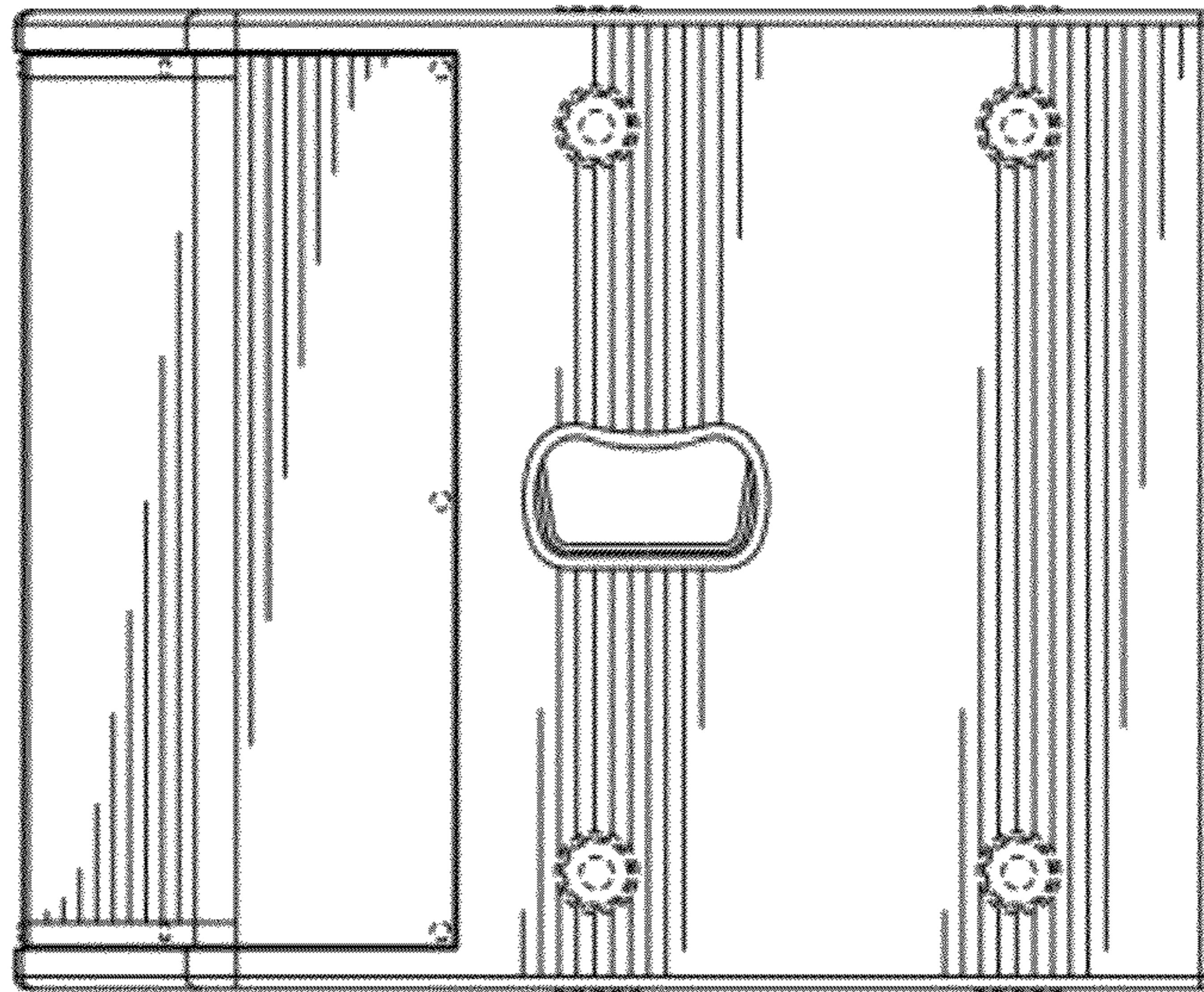


FIG. 6

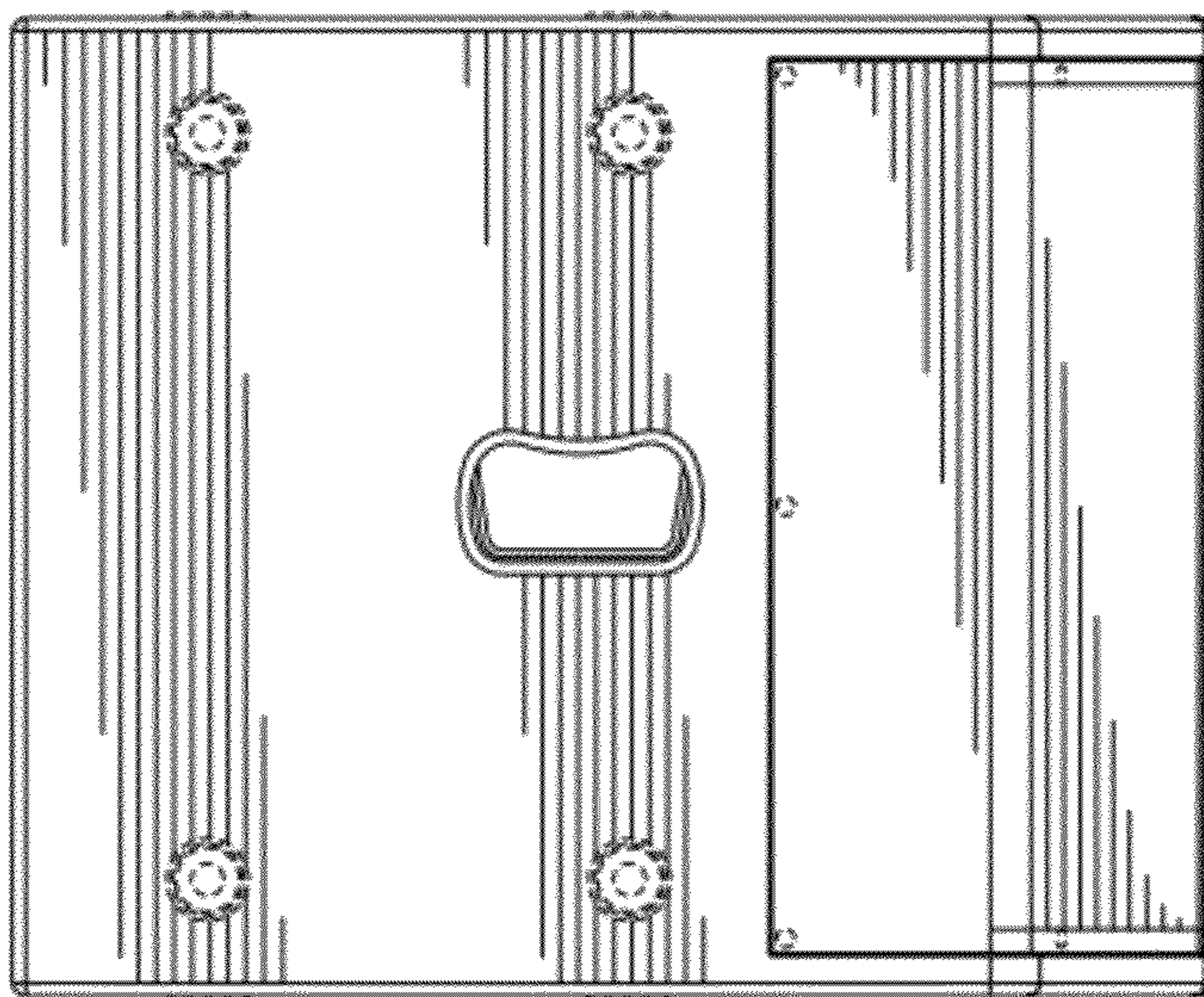


FIG. 7