

US00D663717S

(12) **United States Design Patent**  
**Hutchieson**

(10) **Patent No.:** **US D663,717 S**

(45) **Date of Patent:** **\*\* Jul. 17, 2012**

(54) **HEADPHONE**

(75) Inventor: **Brendan Hutchieson**, Kowloon (HK)

(73) Assignee: **Koninklijke Philips Electronics N.V.**,  
Eindhoven (NL)

(\*\*) Term: **14 Years**

(21) Appl. No.: **29/399,137**

(22) Filed: **Aug. 10, 2011**

(30) **Foreign Application Priority Data**

Feb. 10, 2011 (EM) ..... 001819467-0001

(51) **LOC (9) Cl.** ..... **14-01**

(52) **U.S. Cl.** ..... **D14/206**

(58) **Field of Classification Search** ..... D14/205,  
D14/206, 223; D29/112, 122; 181/129,  
181/130, 135; 379/430, 431, 433; 2/209,  
2/423; 381/380, 381, 379, 371; 128/864,  
128/865, 866, 867; 455/90.3, 575.2

See application file for complete search history.

(56) **References Cited**

U.S. PATENT DOCUMENTS

4,689,822	A	*	8/1987	Houng	.....	381/379
D300,133	S	*	3/1989	Daidoh et al.	.....	D14/205
D313,092	S	*	12/1990	Nilsson	.....	D29/112
D328,074	S	*	7/1992	Yamazaki et al.	.....	D14/205
D463,857	S	*	10/2002	Dix et al.	.....	D24/106
D544,464	S	*	6/2007	Lee	.....	D14/205
D625,705	S	*	10/2010	Ohori et al.	.....	D14/205
D632,668	S	*	2/2011	Brunner et al.	.....	D14/205
D634,732	S	*	3/2011	Kondo et al.	.....	D14/205
D635,959	S	*	4/2011	Hutchieson	.....	D14/205
D654,472	S	*	2/2012	Fischer	.....	D14/206

\* cited by examiner

*Primary Examiner* — Paula Greene

(57) **CLAIM**

The ornamental design for a headphone, as shown.

**DESCRIPTION**

FIG. 1 is a perspective view showing my design;  
FIG. 2 is a front elevational view thereof;  
FIG. 3 is a rear elevational view thereof;  
FIG. 4 is a right side elevational view thereof;  
FIG. 5 is a left side elevational view thereof;  
FIG. 6 is a top plan view thereof; and,  
FIG. 7 is a bottom plan view thereof.

**1 Claim, 5 Drawing Sheets**

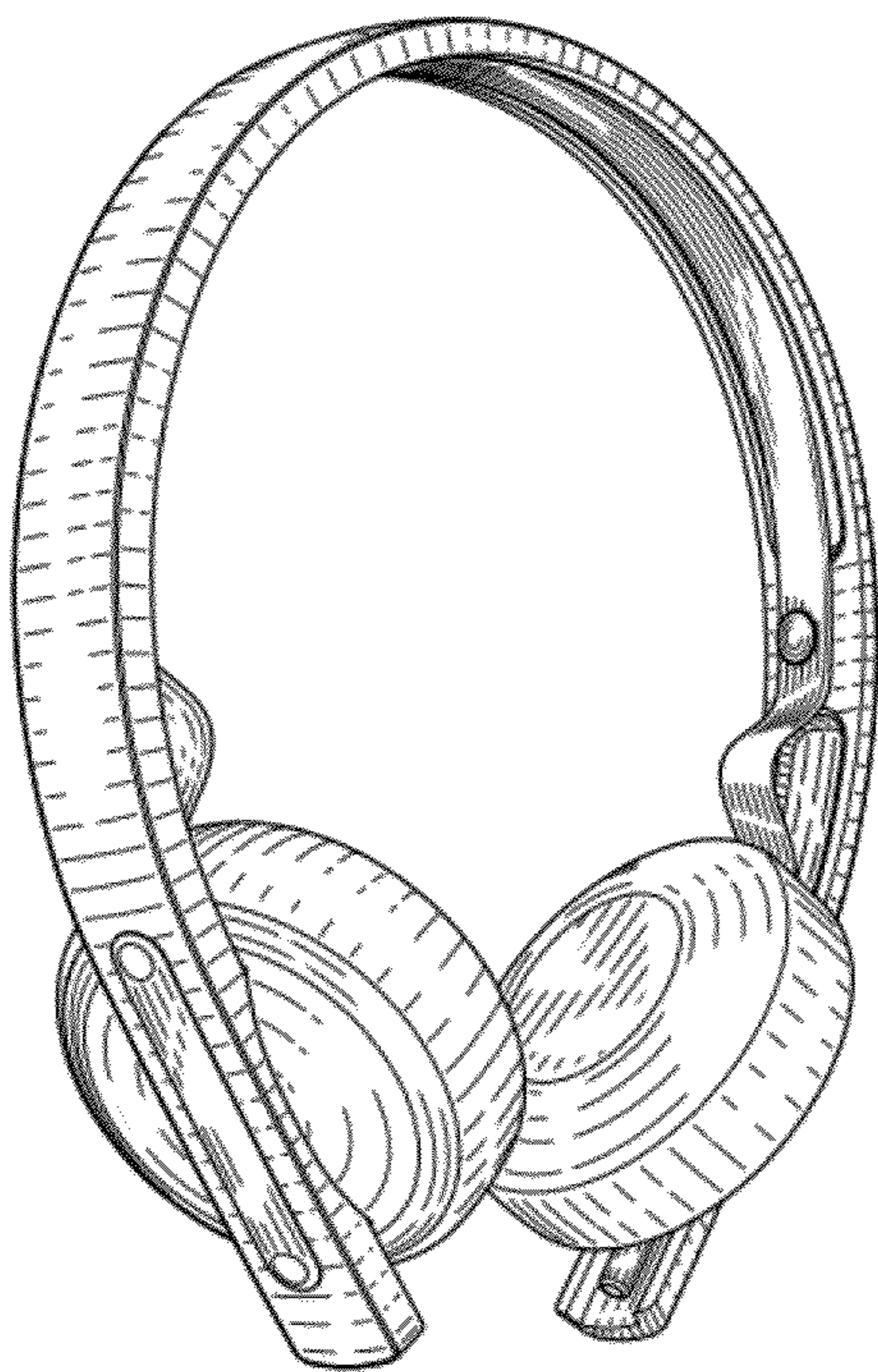




FIG. 1



FIG.2



FIG.3

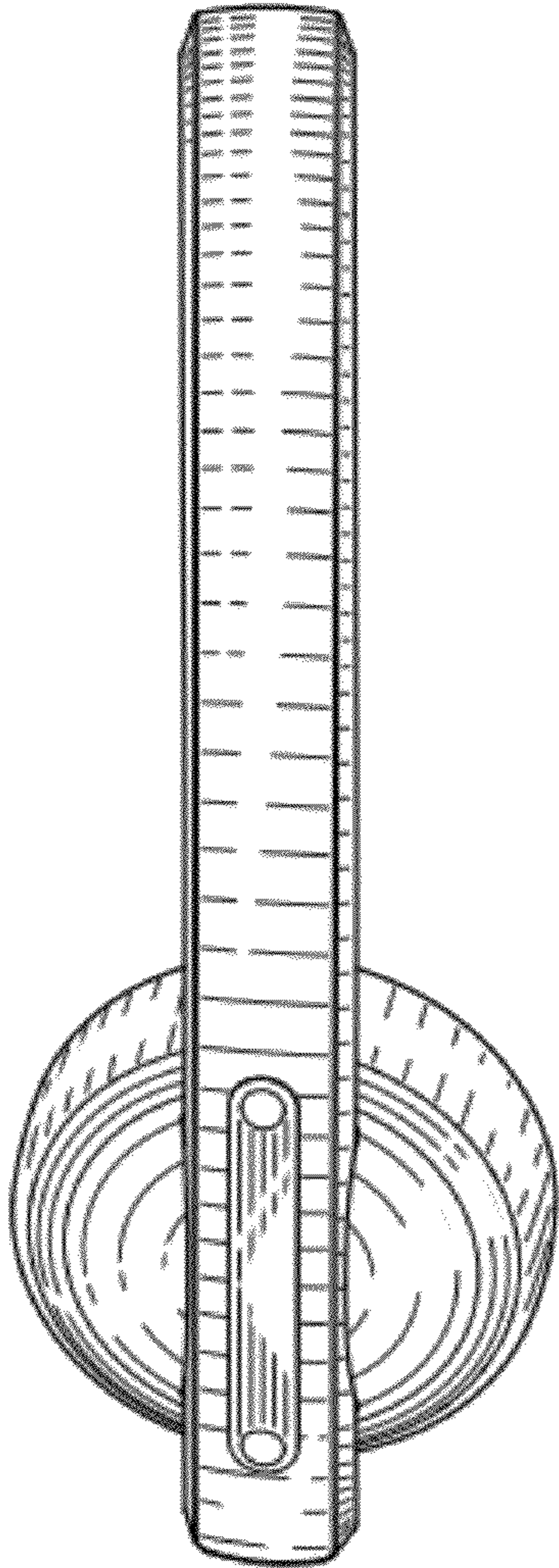


FIG. 4

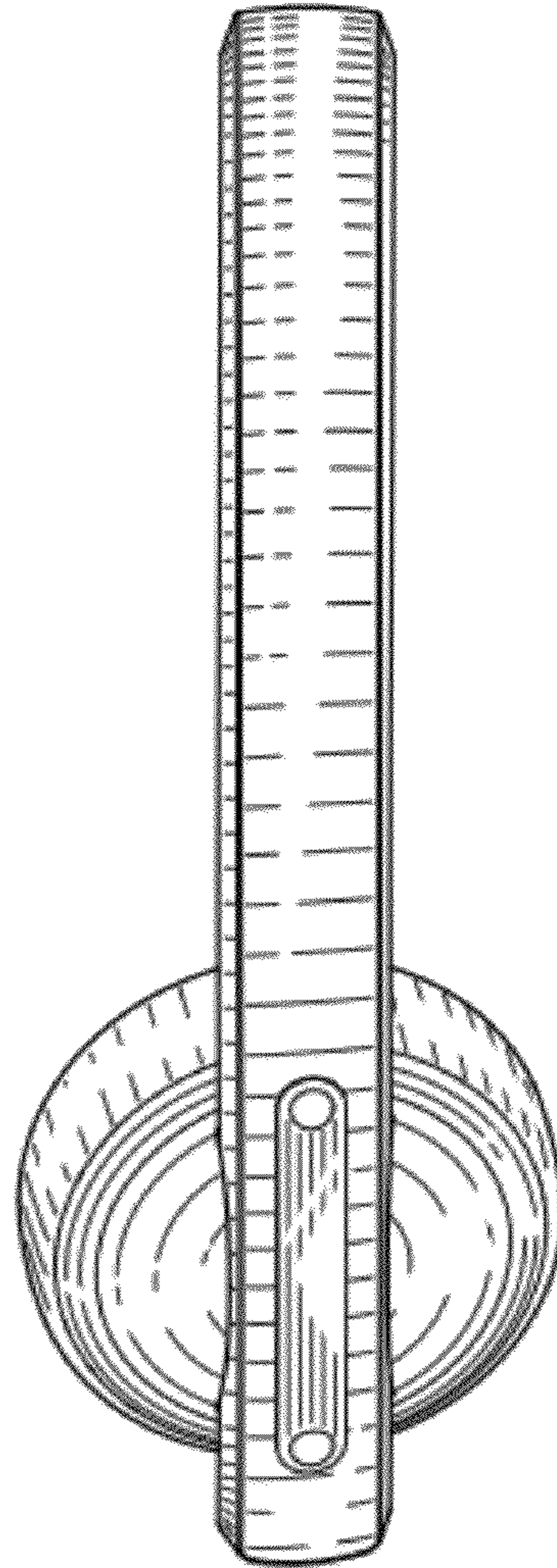


FIG. 5

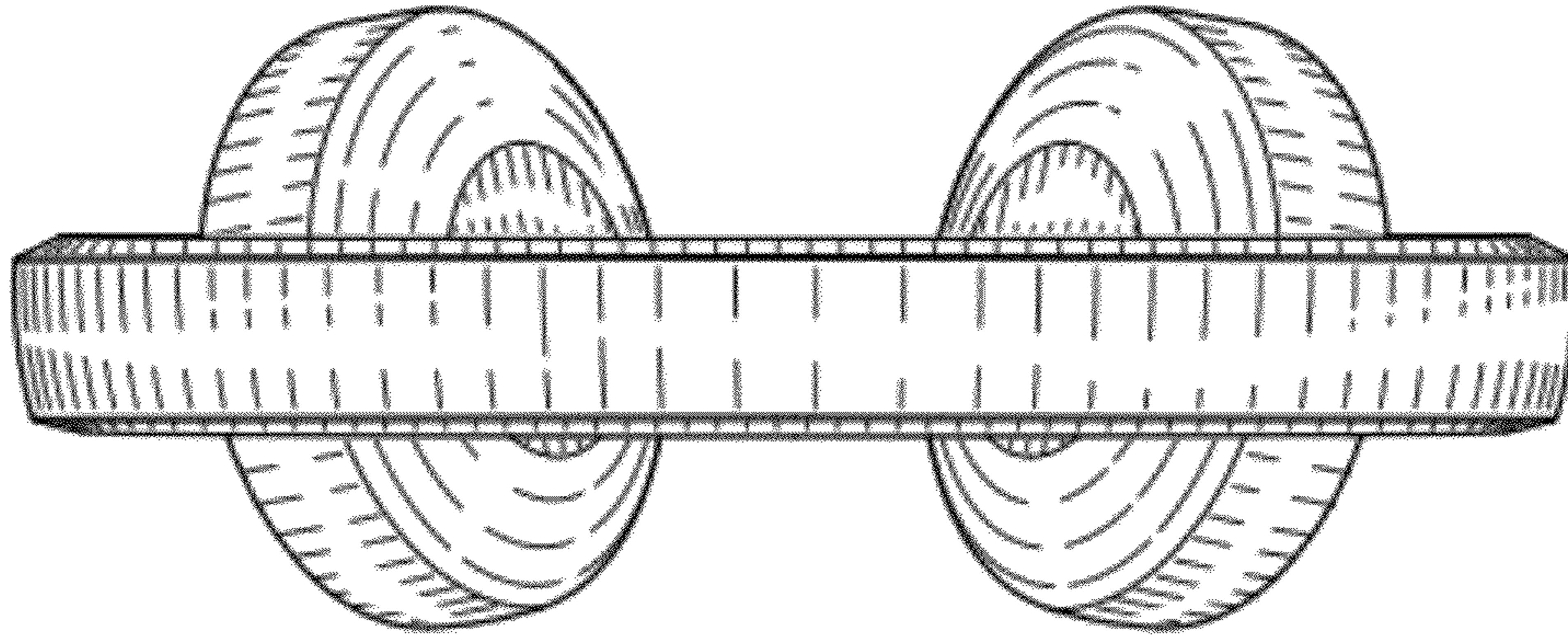


FIG. 6

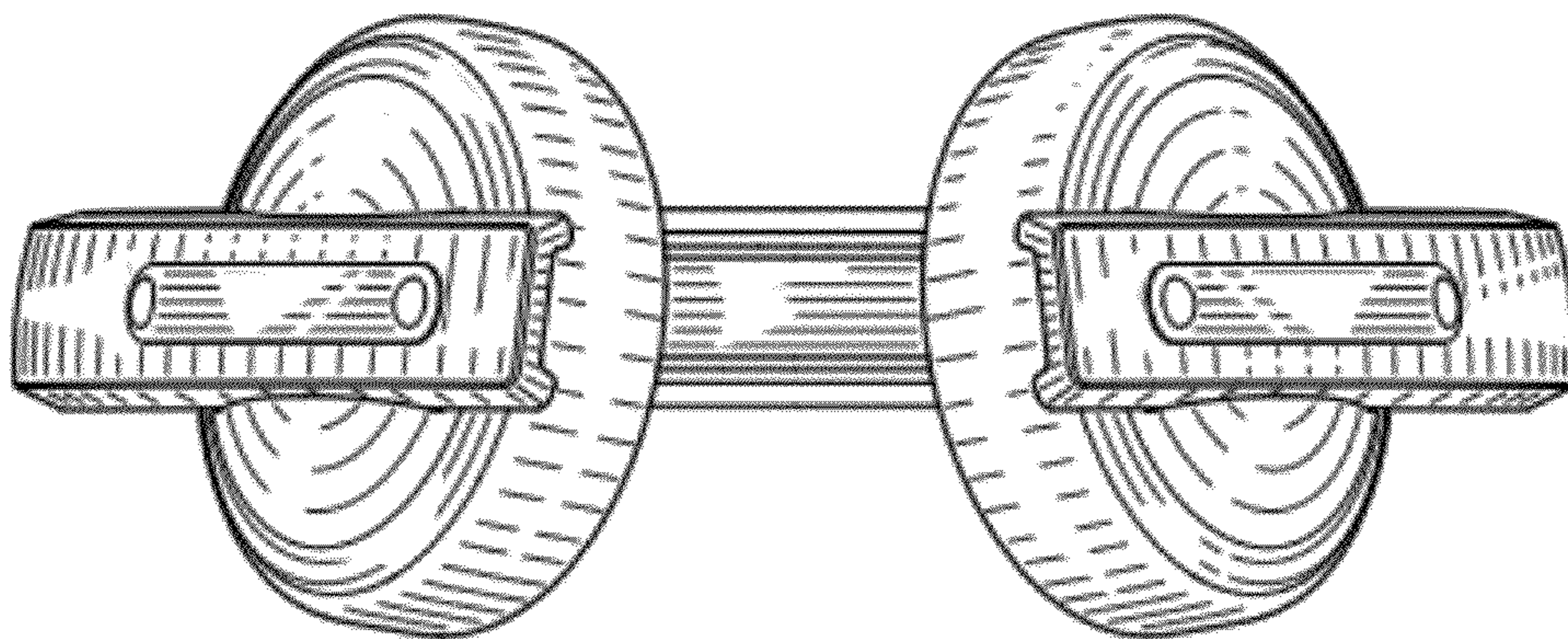


FIG. 7