



US00D663704S

(12) **United States Design Patent**  
**Chen et al.**

(10) **Patent No.:** **US D663,704 S**  
(45) **Date of Patent:** **\*\* Jul. 17, 2012**

(54) **PLUG PIN**

(75) Inventors: **Yi-Chen Chen**, Taipei (TW);  
**Chih-Yung Chou**, New Taipei (TW);  
**Ching-Feng Hsieh**, Taipei (TW)

(73) Assignees: **Askey Technology (Jiangsu) Ltd.** (CN);  
**Askey Computer Corp.** (TW)

(\*\*) Term: **14 Years**

(21) Appl. No.: **29/407,789**

(22) Filed: **Dec. 2, 2011**

(30) **Foreign Application Priority Data**

Nov. 25, 2011 (TW) ..... 100306437

(51) **LOC (9) Cl.** ..... **13-99**

(52) **U.S. Cl.** ..... **D13/199**

(58) **Field of Classification Search** ..... D13/199,  
D13/123, 124, 133, 154, 156; 324/755.11,  
324/756.01, 756.04, 764.01; 439/43, 45,  
439/172, 482, 700, 722, 751, 844  
See application file for complete search history.

(56) **References Cited**

**U.S. PATENT DOCUMENTS**

4,737,114 A \* 4/1988 Yaegashi ..... 439/82  
4,773,877 A \* 9/1988 Kruger et al. .... 439/482

4,897,053 A \* 1/1990 Verhoeven et al. .... 439/751  
6,250,939 B1 \* 6/2001 Chou ..... 439/172  
6,857,789 B2 \* 2/2005 Melchior et al. .... 385/76  
D551,623 S \* 9/2007 Lee et al. .... D13/133  
D562,768 S \* 2/2008 Kishi et al. .... D13/133  
D568,818 S \* 5/2008 Mollon ..... D13/147  
D593,959 S \* 6/2009 Victor ..... D13/156  
7,850,460 B2 \* 12/2010 Weiland et al. .... 439/66

\* cited by examiner

*Primary Examiner* — Derrick Holland

(74) *Attorney, Agent, or Firm* — Schmeiser, Olsen & Watts,  
LLP

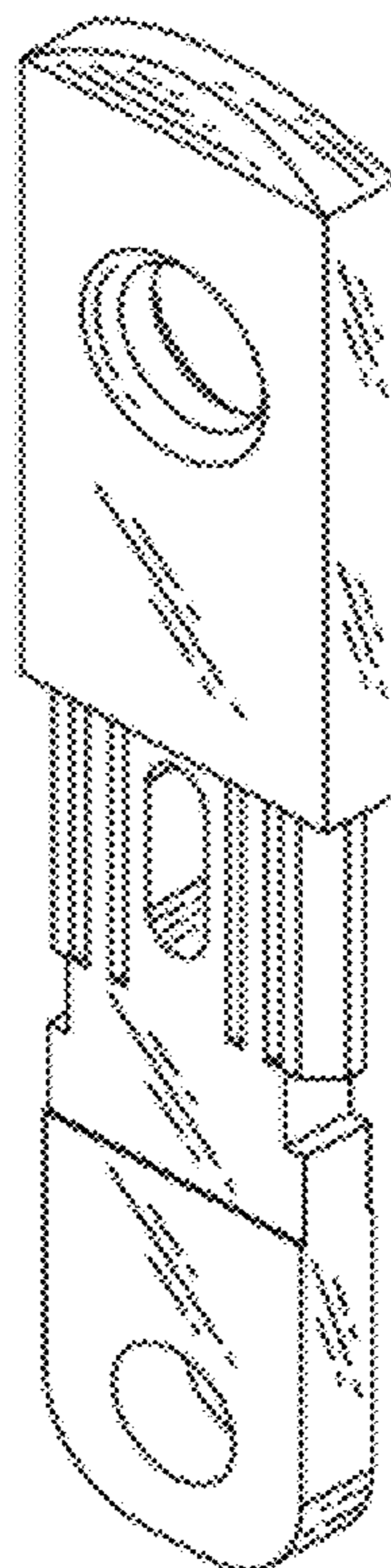
(57) **CLAIM**

The ornamental design for a plug pin, as shown and described.

**DESCRIPTION**

FIG. 1 is a perspective view of a plug pin showing our new design;  
FIG. 2 is a front elevational view thereof;  
FIG. 3 is a rear elevational view thereof;  
FIG. 4 is a left side elevational view thereof;  
FIG. 5 is a right side elevational view thereof;  
FIG. 6 is a top plan view thereof; and,  
FIG. 7 is a bottom plan view thereof.

**1 Claim, 4 Drawing Sheets**



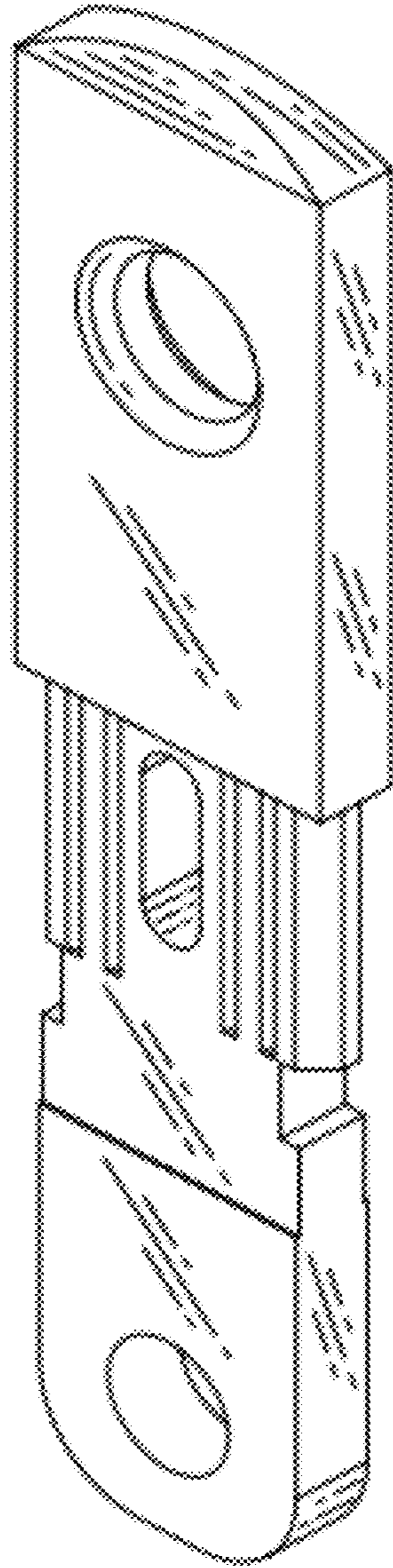


FIG. 1

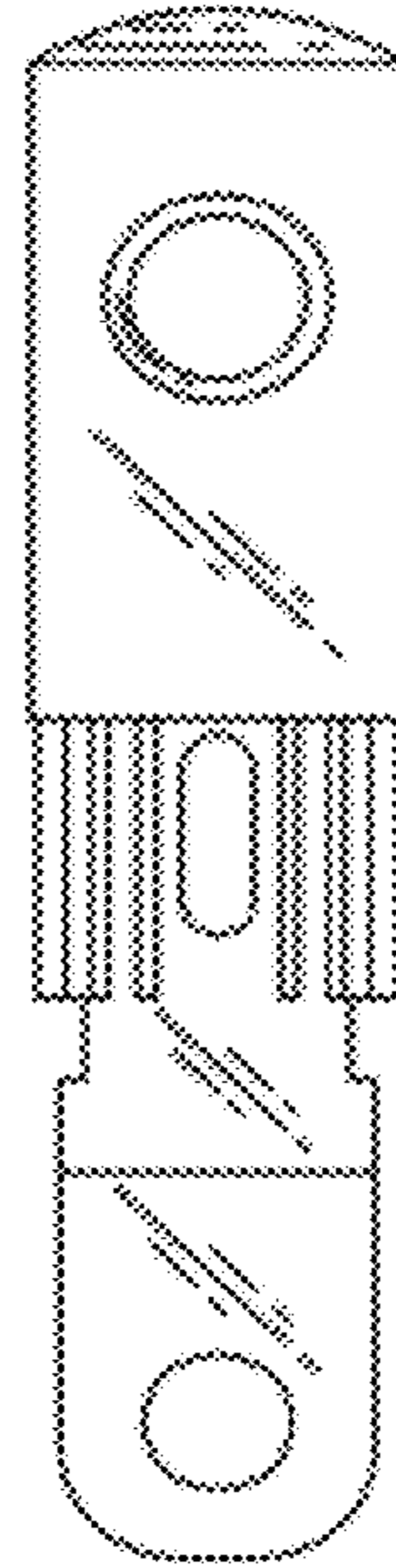


FIG. 2

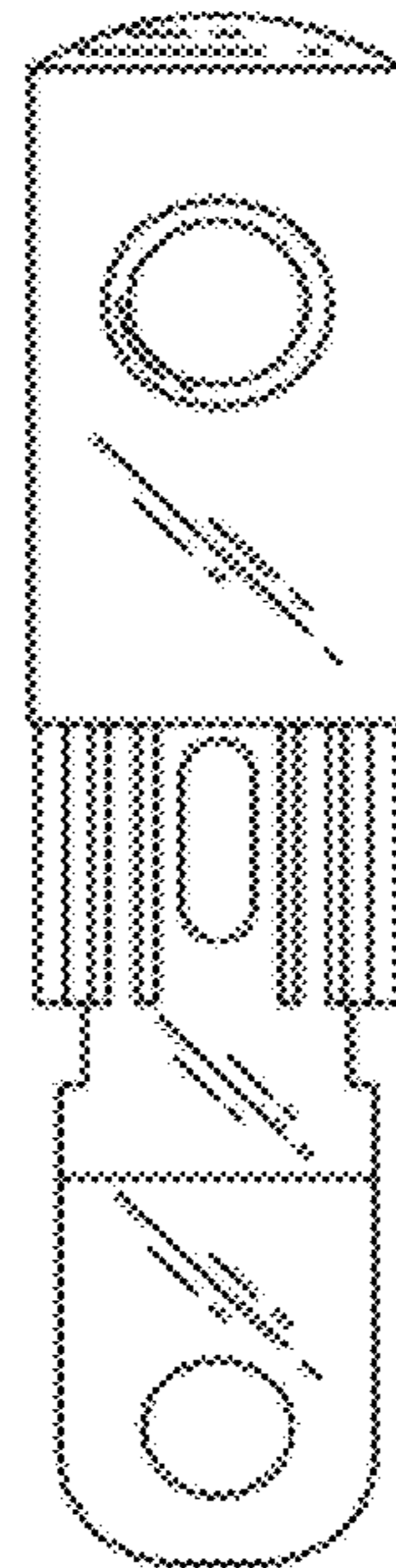


FIG. 3

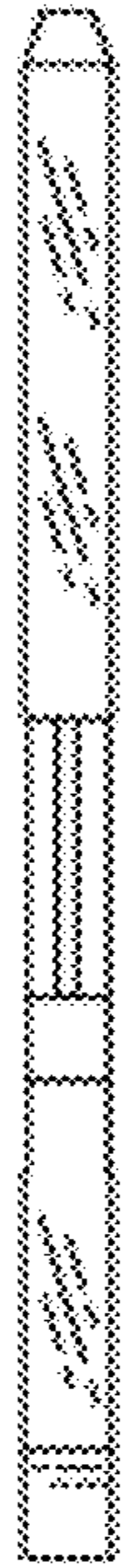


FIG. 4

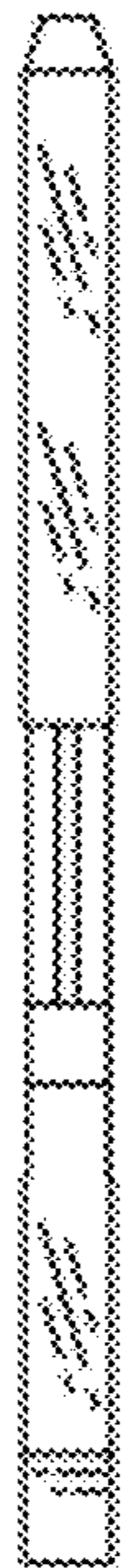


FIG. 5



FIG. 6



FIG. 7