



US00D663703S

(12) **United States Design Patent**  
**Kobayakawa et al.**

(10) **Patent No.:** **US D663,703 S**  
(45) **Date of Patent:** **\*\* Jul. 17, 2012**

(54) **LIGHT EMITTING DIODE MODULE**

(75) Inventors: **Masahiko Kobayakawa**, Kyoto (JP);  
**Takashi Moriguchi**, Kyoto (JP)

(73) Assignee: **Rohm Co., Ltd.**, Kyoto (JP)

(\*\*) Term: **14 Years**

(21) Appl. No.: **29/399,069**

(22) Filed: **Aug. 9, 2011**

(30) **Foreign Application Priority Data**

Feb. 10, 2011 (JP) ..... 2011-002824

(51) **LOC (9) Cl.** ..... **13-03**

(52) **U.S. Cl.** ..... **D13/180**

(58) **Field of Classification Search** ..... D13/180;  
D26/1, 2; 257/79, 80, 81, 88, 89, 95, 98,  
257/99, 100, E33.058; 313/483, 498, 500;  
362/555, 800

See application file for complete search history.

(56) **References Cited**

**U.S. PATENT DOCUMENTS**

D476,960 S \* 7/2003 Fukasawa et al. .... D13/182  
D478,879 S \* 8/2003 Imai ..... D13/182

D499,075 S \* 11/2004 Yoon et al. .... D13/180  
D565,514 S \* 4/2008 Cho ..... D13/180  
D590,354 S \* 4/2009 Tsuchiya et al. .... D13/180  
D609,653 S \* 2/2010 Watanabe et al. .... D13/180  
D623,611 S \* 9/2010 Okuwaki ..... D13/180  
D628,166 S \* 11/2010 Okuwaki ..... D13/180  
D647,068 S \* 10/2011 Okuwaki ..... D13/180  
2006/0186431 A1 \* 8/2006 Miki et al. .... 257/100  
2006/0284207 A1 \* 12/2006 Park et al. .... 257/99  
2011/0051039 A1 \* 3/2011 Okamoto et al. .... 349/62

\* cited by examiner

*Primary Examiner* — Selina Sikder

(74) *Attorney, Agent, or Firm* — Hamre, Schumann, Mueller  
& Larson, P.C.

(57) **CLAIM**

I claim the ornamental design for a light emitting diode module, as shown.

**DESCRIPTION**

FIG. 1 is a perspective view of a light emitting diode module according to our new design;  
FIG. 2 is a front view of the same module;  
FIG. 3 is a rear view of the same module;  
FIG. 4 is a top plan view of the same module;  
FIG. 5 is a bottom view of the same module;  
FIG. 6 is a right side view of the same module; and,  
FIG. 7 is a left side view of the same module.

**1 Claim, 3 Drawing Sheets**

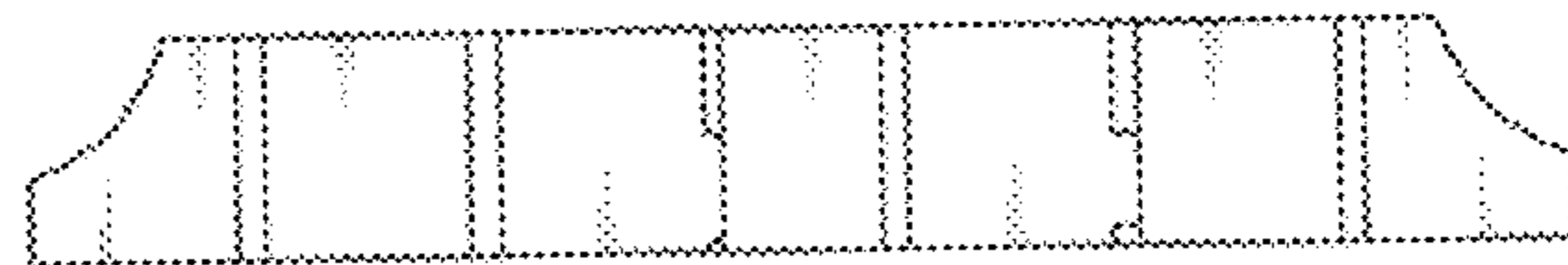
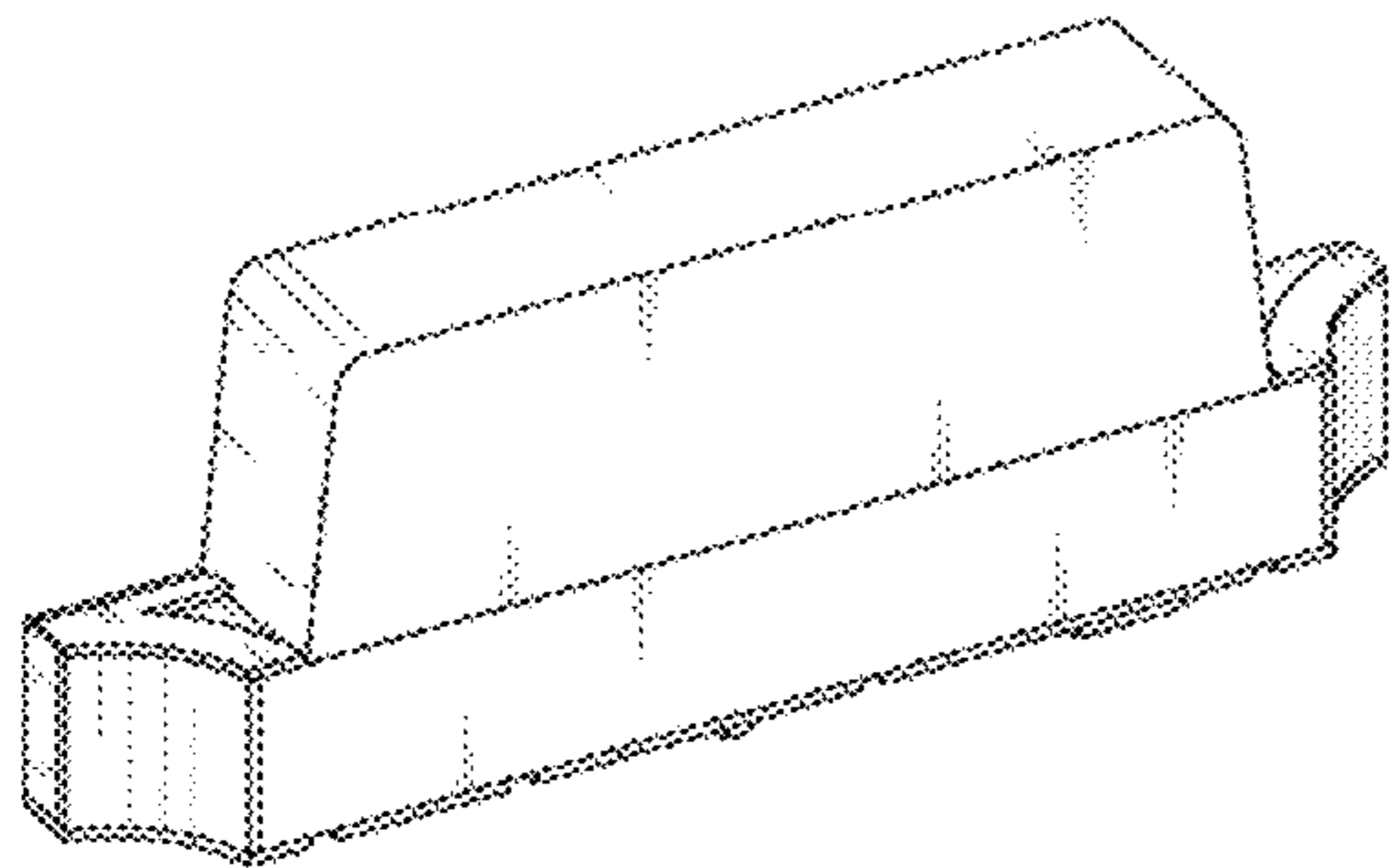


Fig. 1

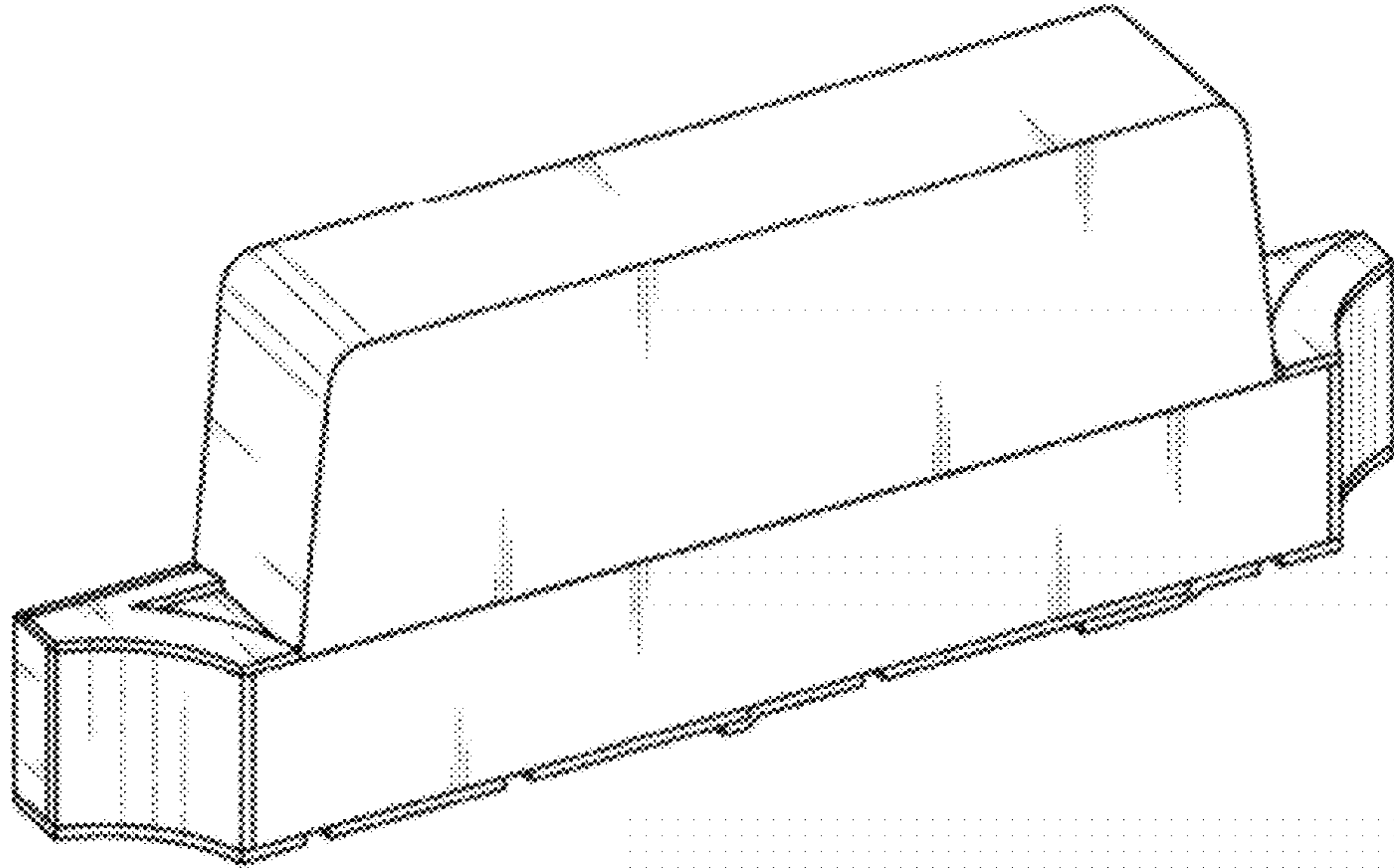


Fig. 2

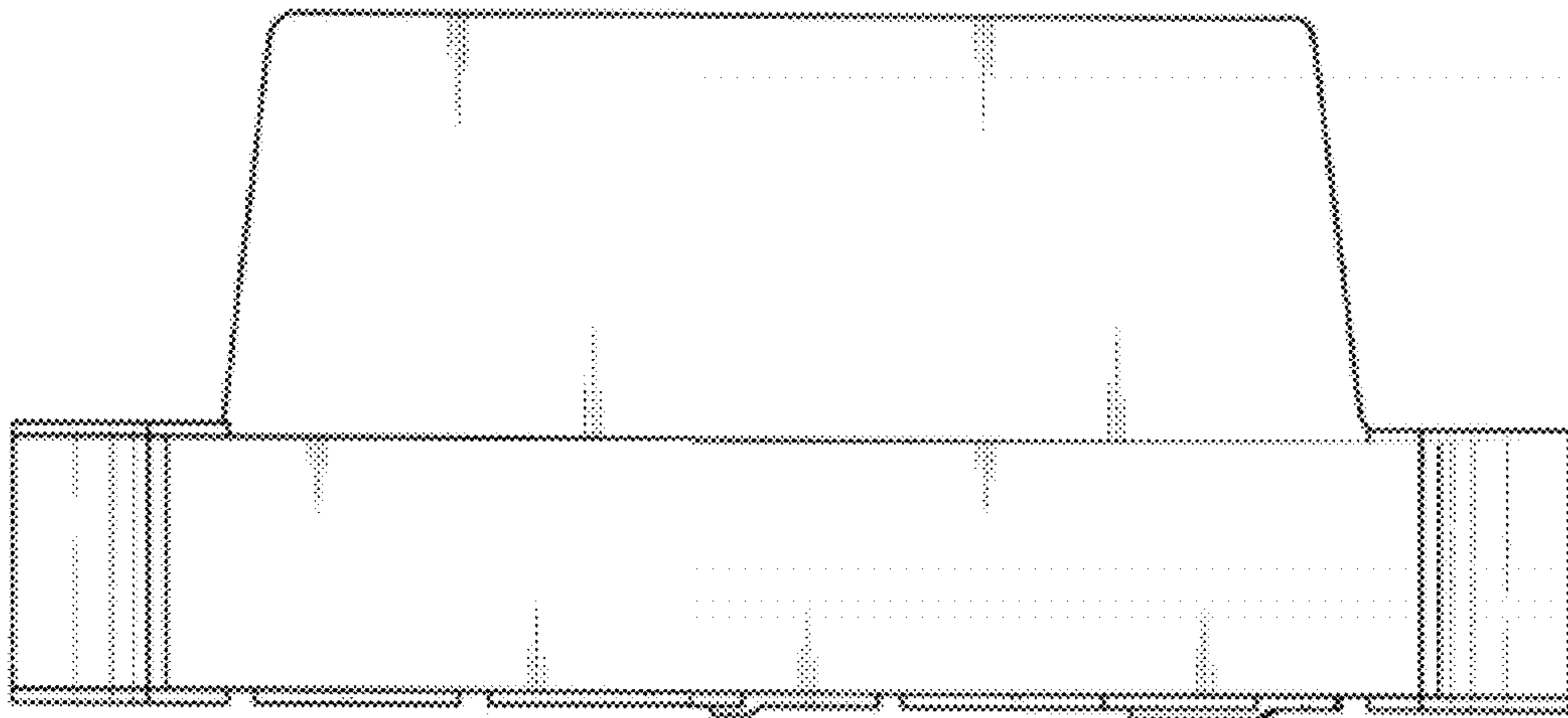


Fig. 3

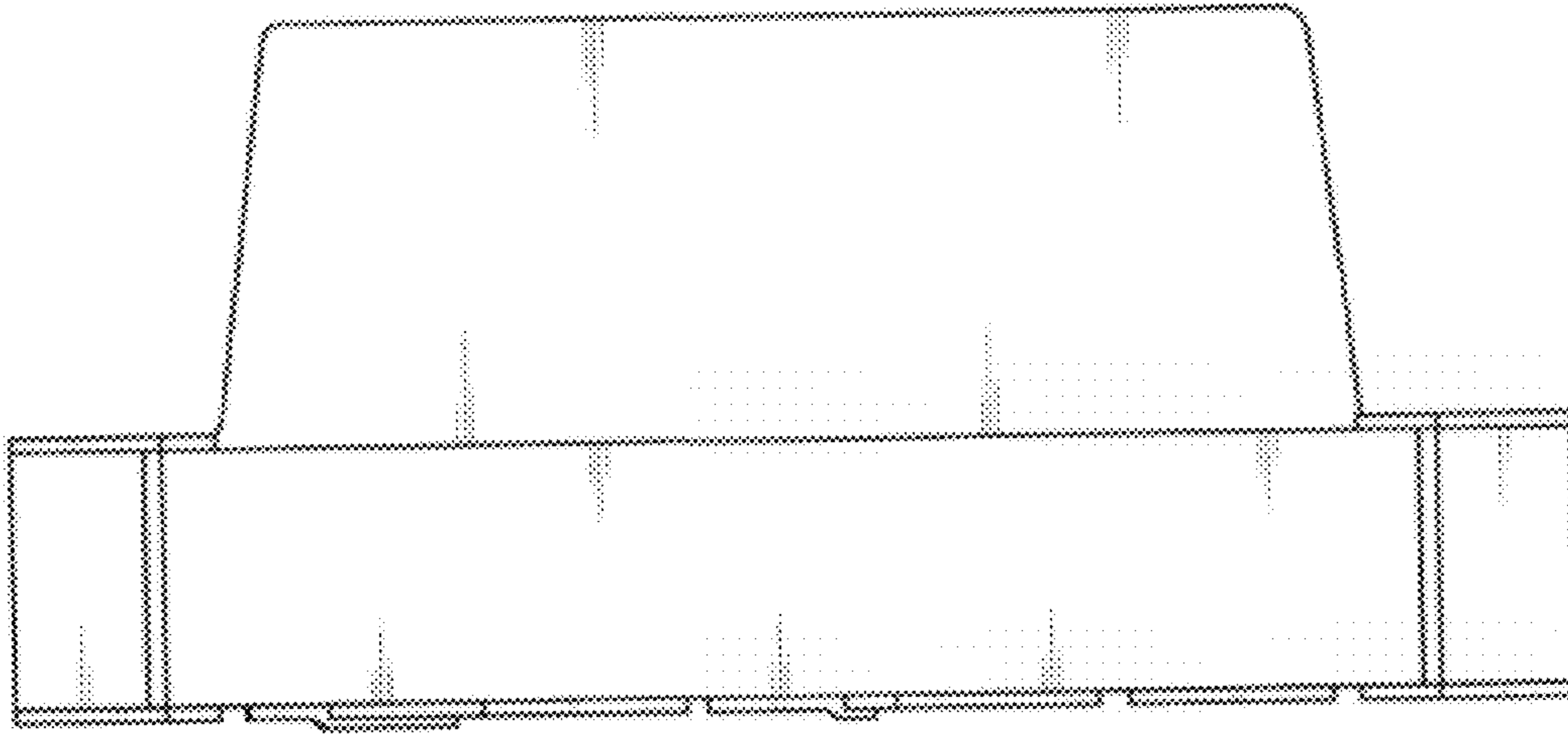


Fig. 4

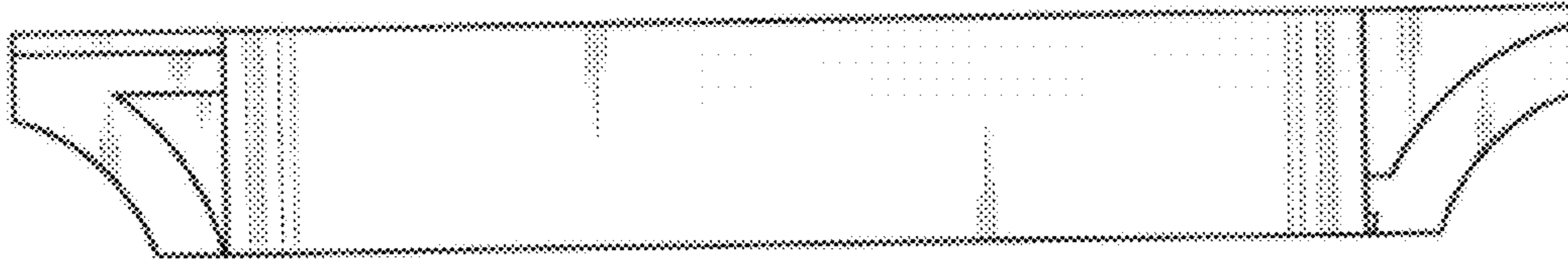


Fig. 5

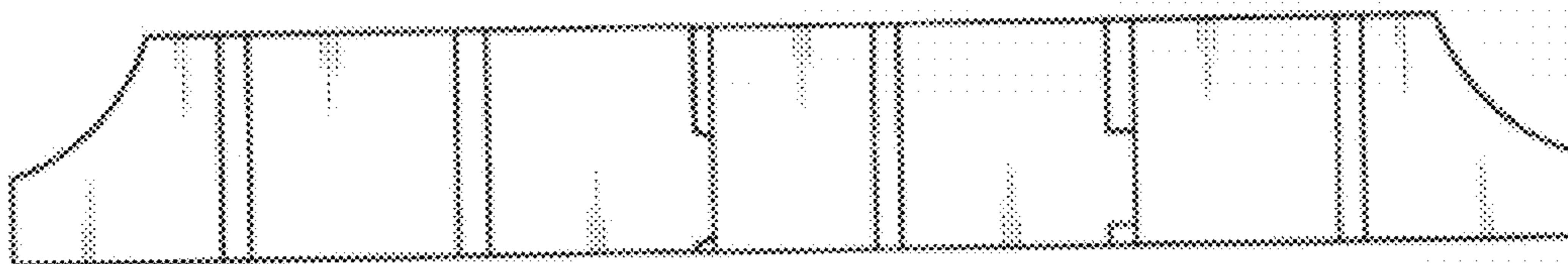


Fig. 6

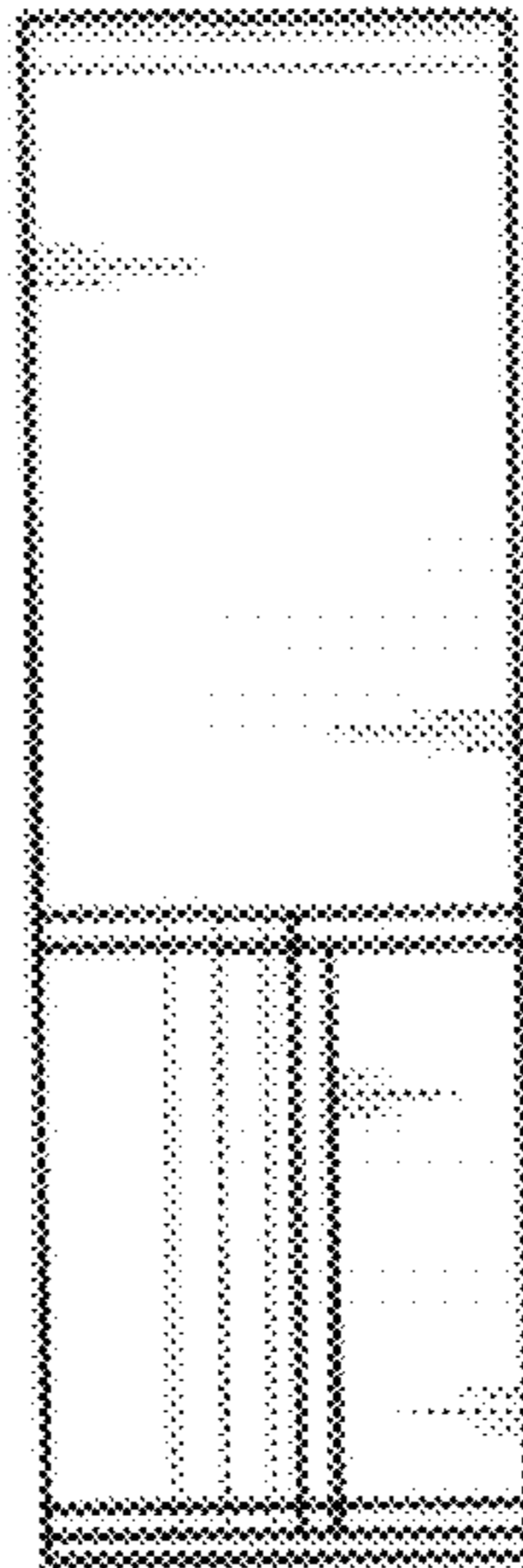


Fig. 7

