

US00D663697S

(12) **United States Design Patent**
Shen et al.

(10) **Patent No.:** **US D663,697 S**
(45) **Date of Patent:** **** Jul. 17, 2012**

(54) **CONDUIT FITTING RING**
(75) Inventors: **Xing-Guo Shen**, Shanghai (CN); **Lorne Smyth**, Orangeville, CA (US); **John Kehren**, Newmarket, CA (US)

6,918,618 B2 7/2005 Allouche
7,186,915 B2 3/2007 Hull et al.
D544,448 S 6/2007 Hull et al.
7,387,288 B2 6/2008 Hull et al.
D633,872 S * 3/2011 Shen et al. D13/155
D634,712 S * 3/2011 Shen et al. D13/155
D635,934 S * 4/2011 Shen et al. D13/155

(73) Assignee: **Royal Group Inc.**, Woodbridge (CA)

OTHER PUBLICATIONS

(**) Term: **14 Years**

Royal Pipe Systems; Royal Flex ENT & Fittings; Catalog, May 2004, 12 pages, Canada.

(21) Appl. No.: **29/377,348**

U.S. Appl. No. 29/338,056, filed Jun. 3, 2009; Title: Conduit Fitting Ring.

(22) Filed: **Oct. 20, 2010**

U.S. Appl. No. 12/424,844, filed Apr. 16, 2009; Title: Fitting for Corrugated Conduit.

Related U.S. Application Data

(62) Division of application No. 29/338,058, filed on Jun. 3, 2009, now Pat. No. Des. 634,712.

(51) **LOC (9) Cl.** **13-03**

(52) **U.S. Cl.** **D13/155**

(58) **Field of Classification Search** D13/155,
D13/156, 184; D8/354-356, 360.1; D14/256,
D14/299; 439/207-211, 445-447

See application file for complete search history.

* cited by examiner

Primary Examiner — Daniel Bui

(74) *Attorney, Agent, or Firm* — Osler, Hoskin & Harcourt LLP

(57) **CLAIM**

The ornamental design for a conduit fitting ring, as shown and described.

DESCRIPTION

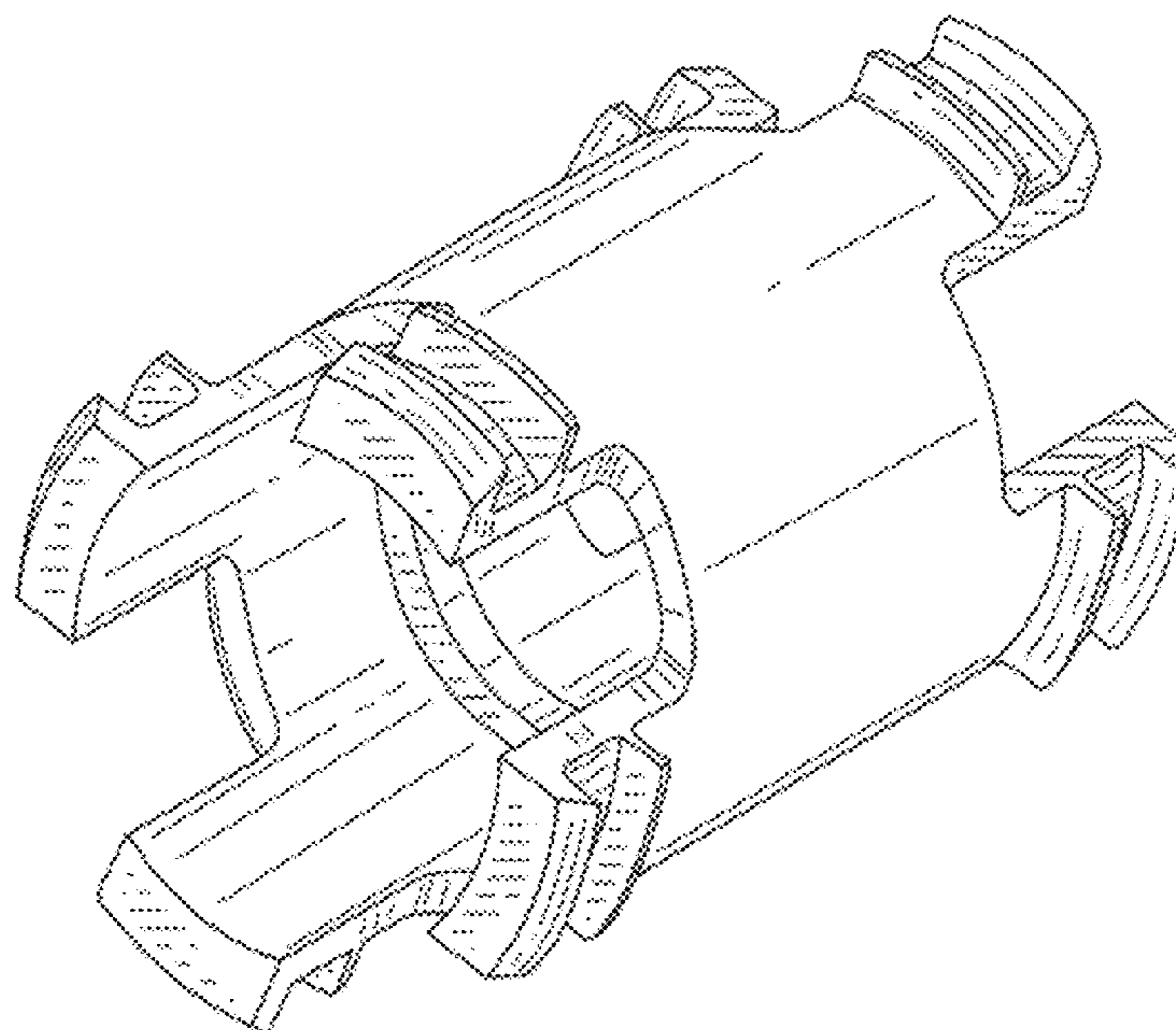
(56) **References Cited**

U.S. PATENT DOCUMENTS

4,368,904 A	1/1983	Lanz
4,647,074 A	3/1987	Pate et al.
4,711,974 A	12/1987	Borsh
4,723,796 A	2/1988	Nattel
4,836,580 A	6/1989	Farrell
4,864,080 A	9/1989	Fochler et al.
4,989,905 A	2/1991	Rajecki
5,362,112 A	11/1994	Hamilton et al.
5,730,474 A	3/1998	Bank
D418,210 S	12/1999	Roesch
6,739,630 B2	5/2004	Riedy
6,899,354 B2	5/2005	Lanteigne et al.

FIG. 1 is a top plan view of a conduit fitting ring, showing our new design, the bottom plan view is a mirror image thereof; FIG. 2 is a top and side perspective view thereof; FIG. 3 is a side elevation view thereof, as seen from line 3-3 of FIG. 1; FIG. 4 is a side elevation view thereof, as seen from line 4-4 of FIG. 1; and, FIG. 5 is top perspective view thereof, in use condition. The broken line shown in the figure drawing views is included for the purpose of illustrating environment and forms no part of the claimed design.

1 Claim, 5 Drawing Sheets



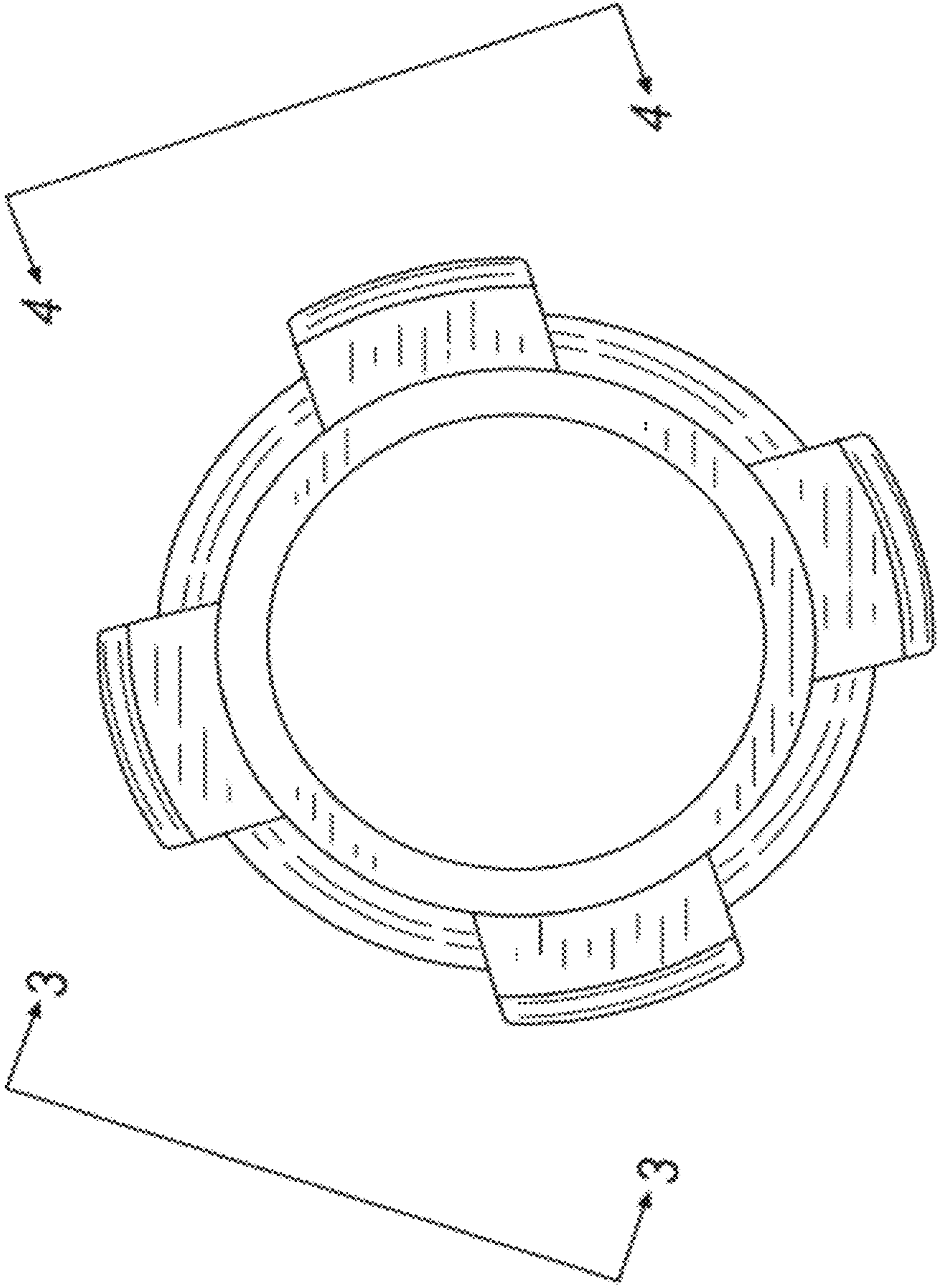


FIG. 1

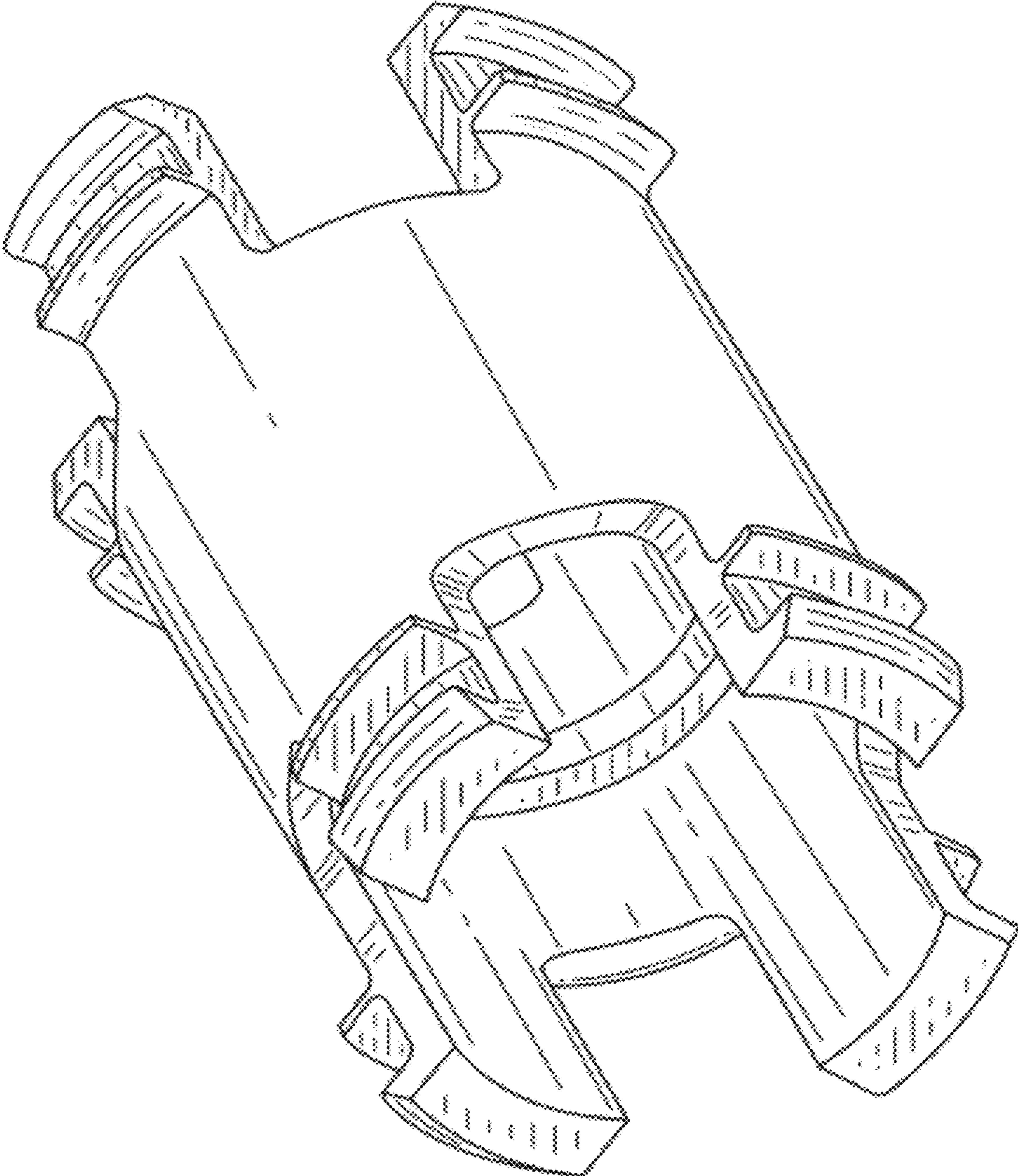


FIG. 2

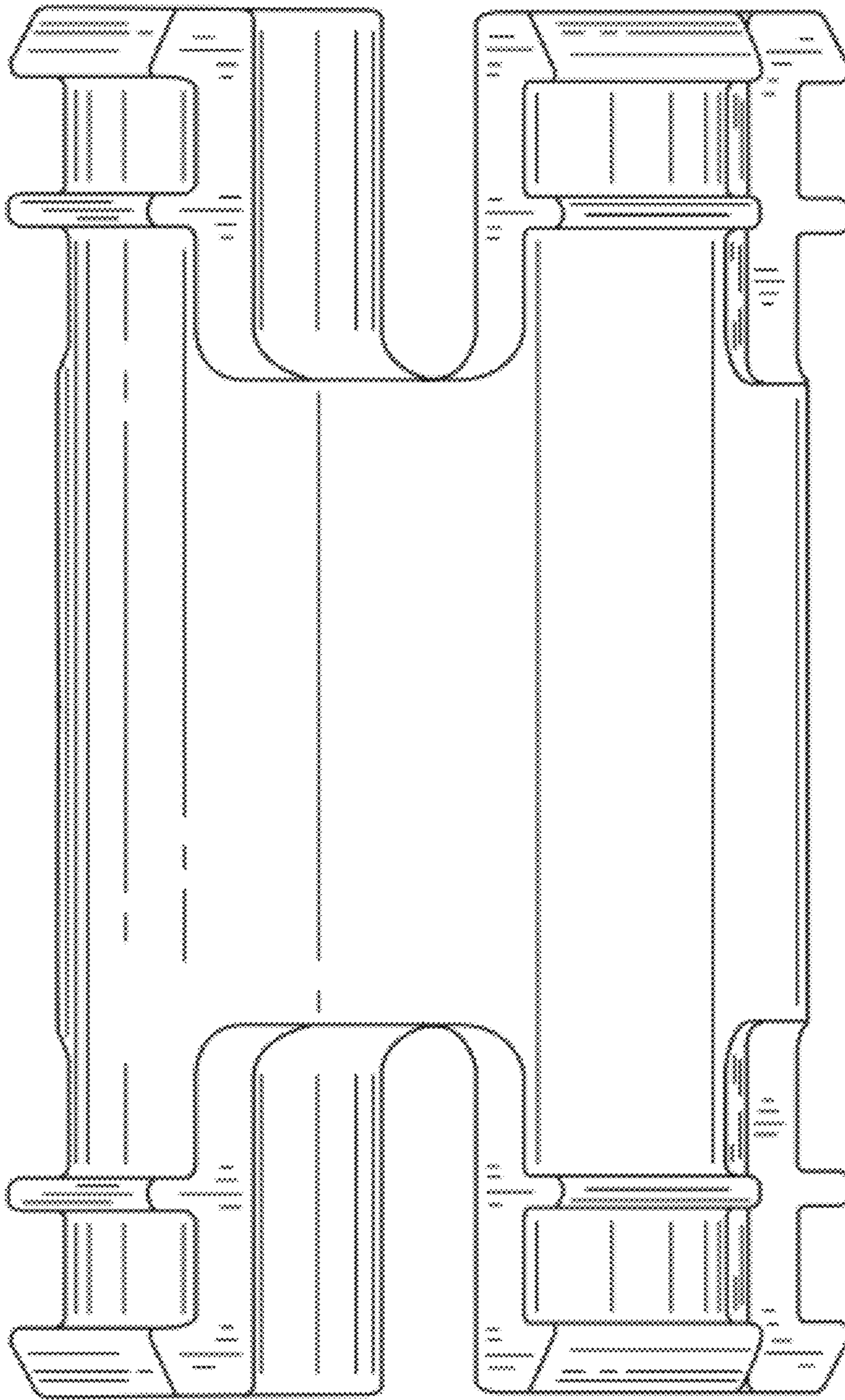


FIG. 3

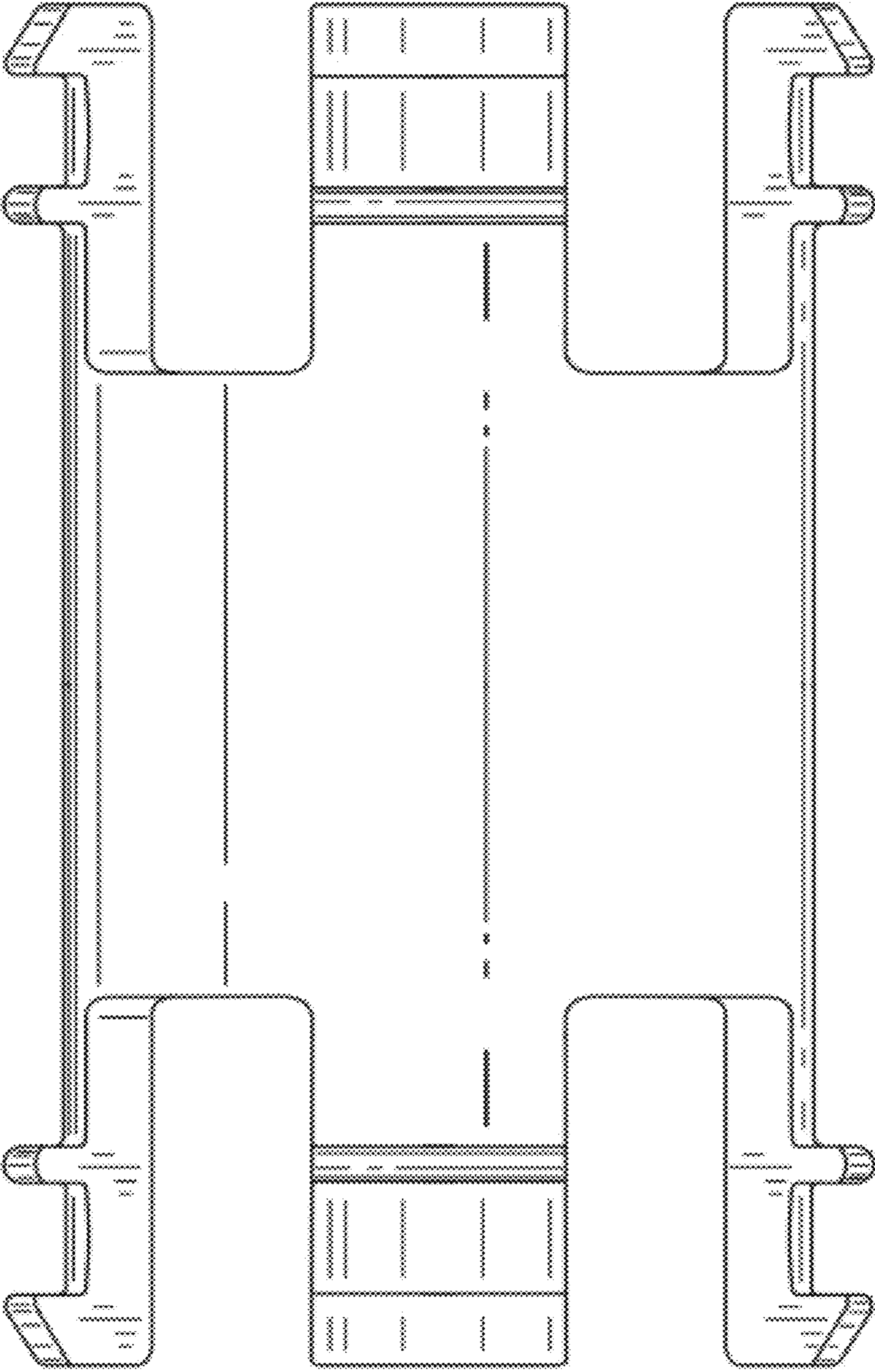


FIG. 4

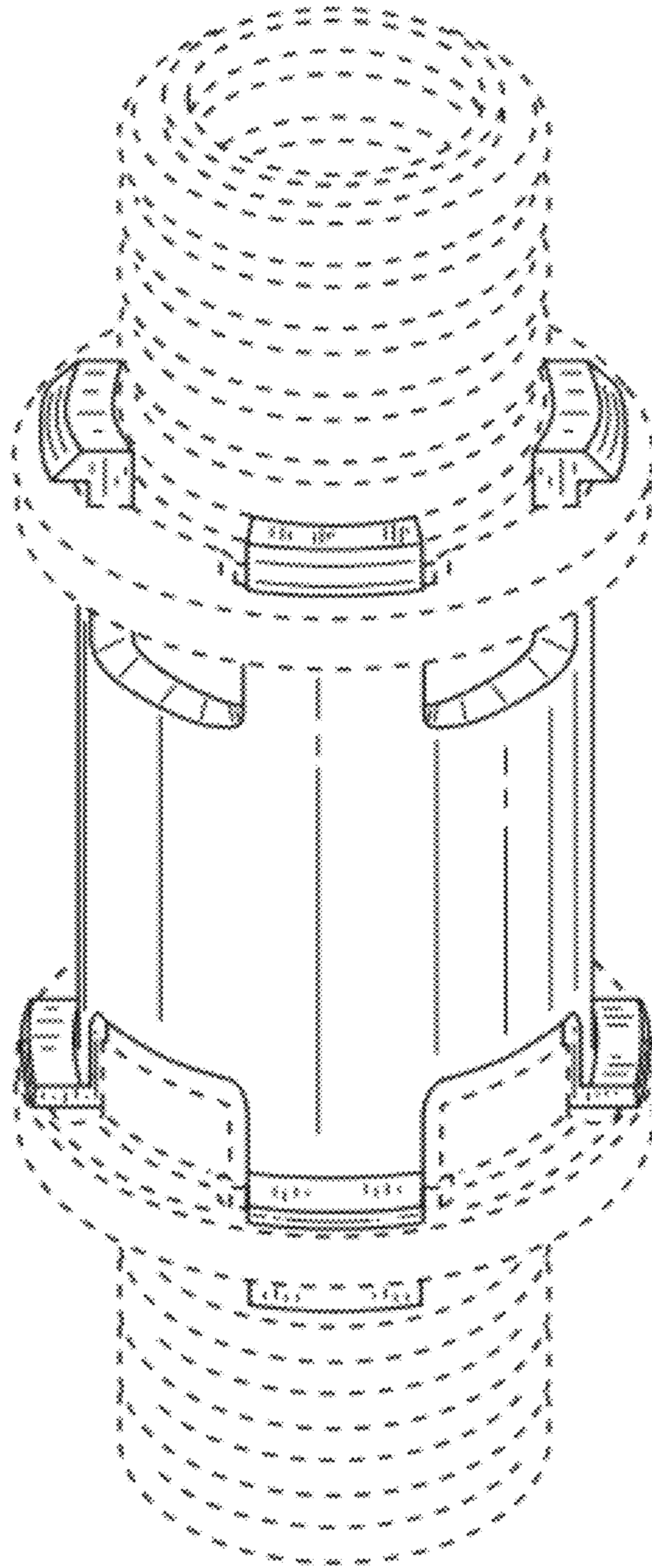


FIG. 5