



US00D663696S

(12) **United States Design Patent**
Huang et al.

(10) **Patent No.:** **US D663,696 S**

(45) **Date of Patent:** **** Jul. 17, 2012**

(54) **ELECTRICAL CONNECTOR**

(75) Inventors: **Guang-Li Huang**, Gaung-Dong (CN);
Yin-Lung Wu, New Taipei (TW);
Ming-Chiang Chen, New Taipei (TW)

(73) Assignee: **Cheng Uei Precision Industry Co., Ltd.**, New Taipei (TW)

(**) Term: **14 Years**

(21) Appl. No.: **29/409,761**

(22) Filed: **Dec. 28, 2011**

(51) **LOC (9) Cl.** **13-03**

(52) **U.S. Cl.** **D13/147**

(58) **Field of Classification Search** D13/120,
D13/133, 146, 147, 154, 184, 199; 439/180,
439/246, 278, 357, 358, 374, 527, 529, 533,
439/607.01, 607.22, 607.23, 607.31, 607.32,
439/607.33, 607.34, 607.53, 680, 892, 894
See application file for complete search history.

(56) **References Cited**

U.S. PATENT DOCUMENTS

D236,481 S * 8/1975 Johnston D13/156
D602,864 S * 10/2009 Zhang D13/120

D616,366 S * 5/2010 Wang et al. D13/133
D647,854 S * 11/2011 Lin D13/146
D647,856 S * 11/2011 Chiang D13/146
8,052,470 B1 * 11/2011 Lin 439/607.01
8,083,548 B1 * 12/2011 Lin 439/607.34

* cited by examiner

Primary Examiner — Daniel Bui

(74) *Attorney, Agent, or Firm* — Cheng-Ju Chiang

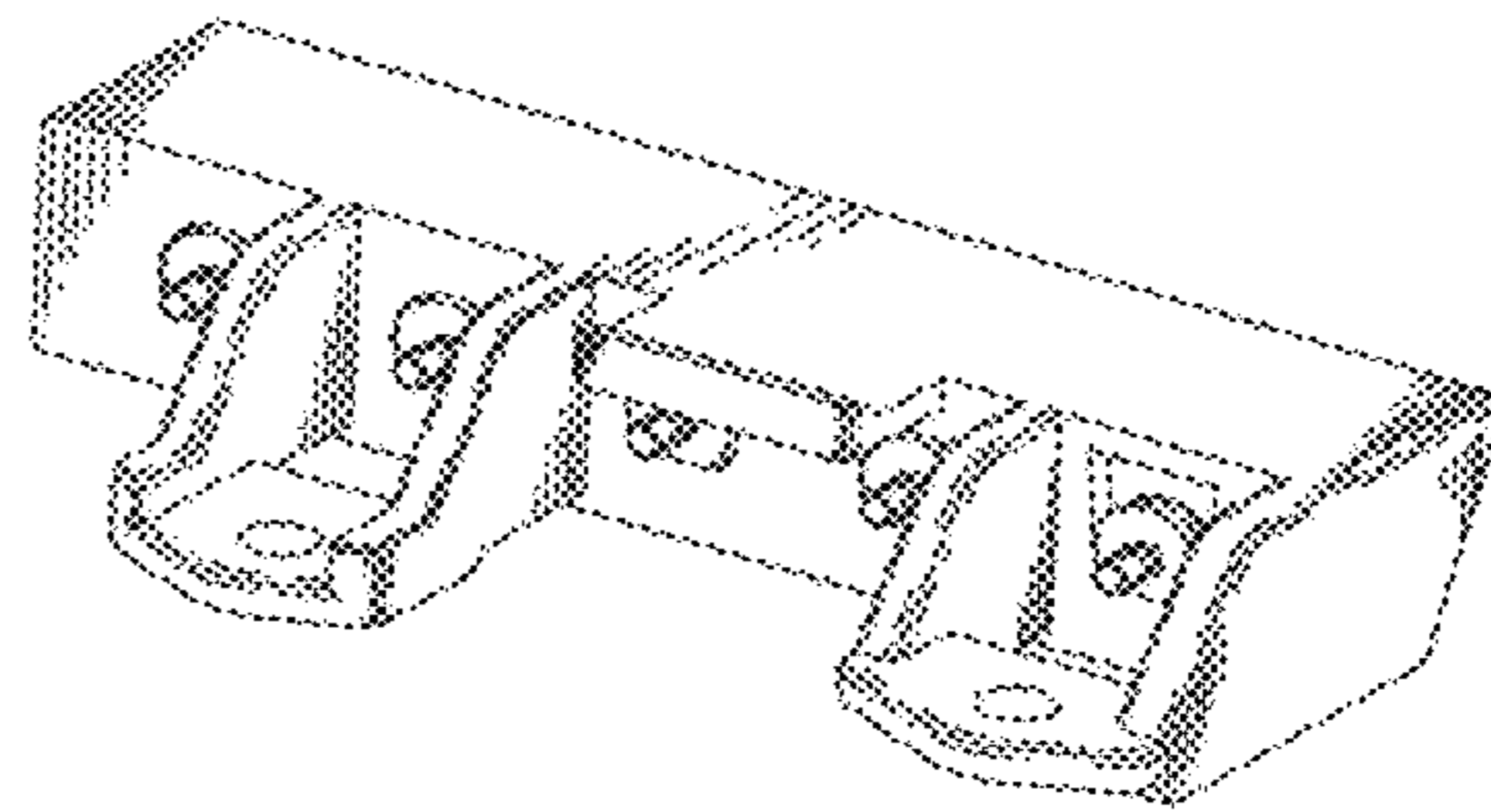
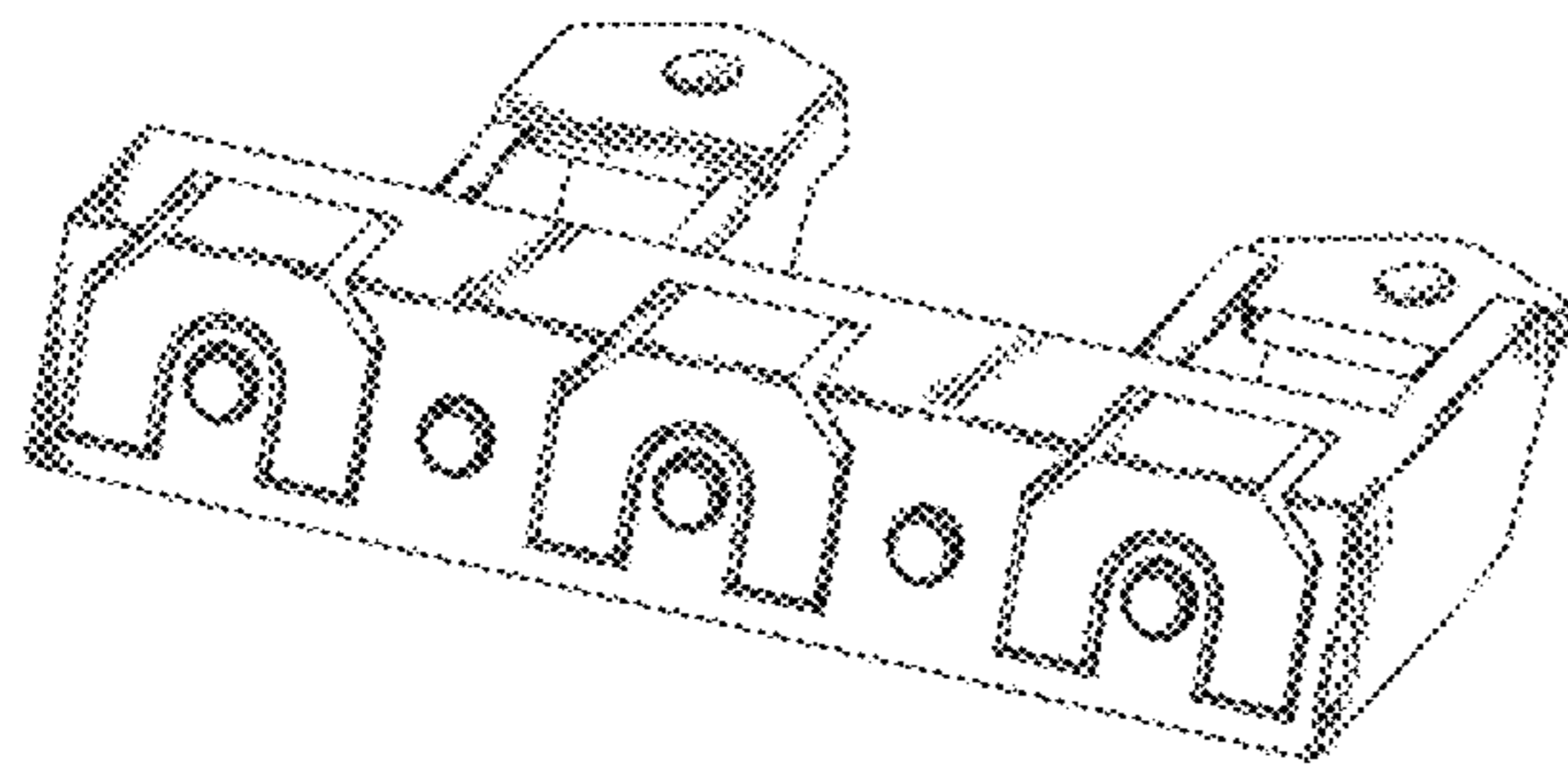
(57) **CLAIM**

The ornamental design for an electrical connector, as shown and described.

DESCRIPTION

FIG. 1 is a perspective view of an electrical connector showing our new design;
FIG. 2 is a front elevational view thereof;
FIG. 3 is a rear elevational view thereof;
FIG. 4 is a left side elevational view thereof;
FIG. 5 is a right side elevational view thereof;
FIG. 6 is a top plan view thereof;
FIG. 7 is a bottom plan view thereof; and,
FIG. 8 is another perspective view of the electrical connector showing our new design.

1 Claim, 8 Drawing Sheets



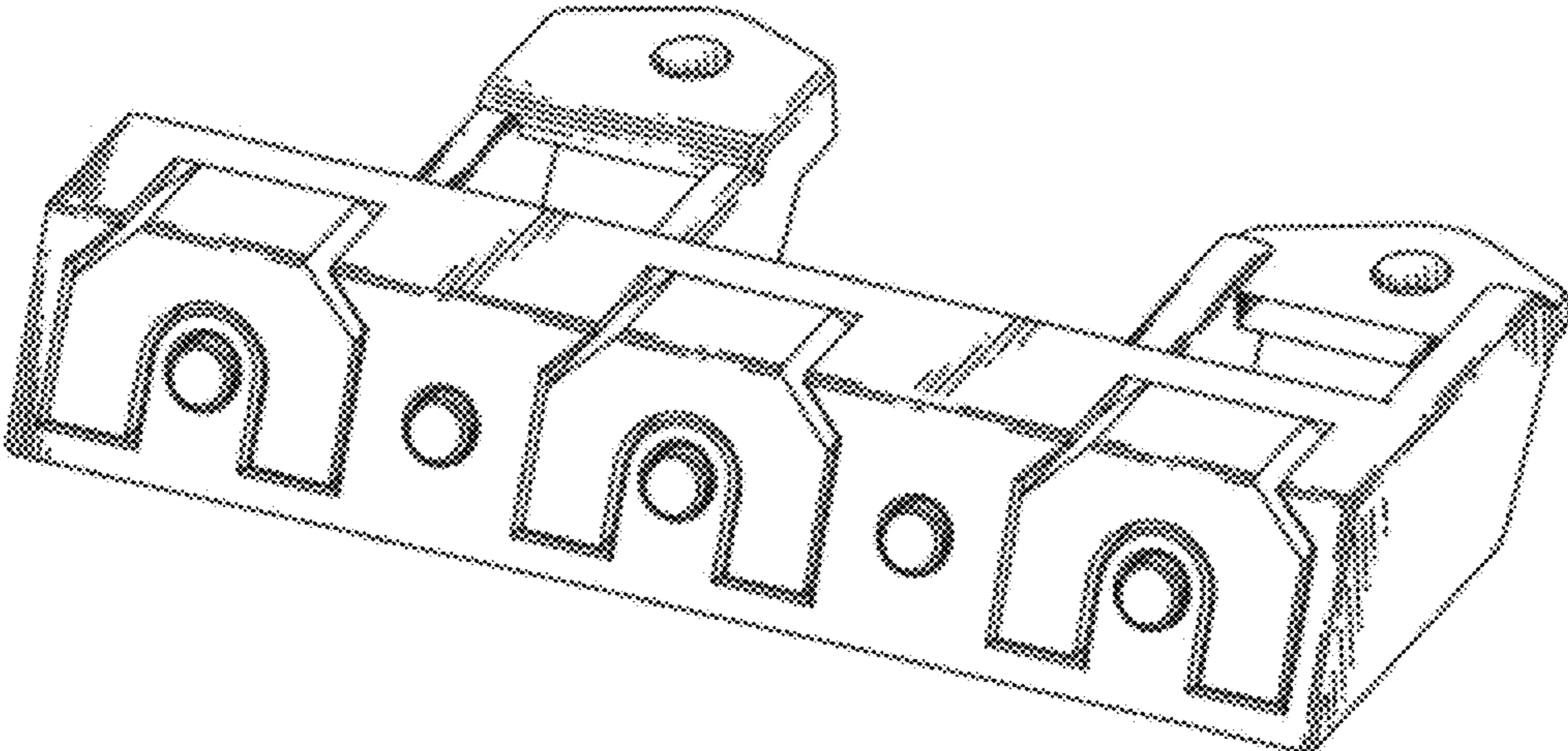


FIG. 1

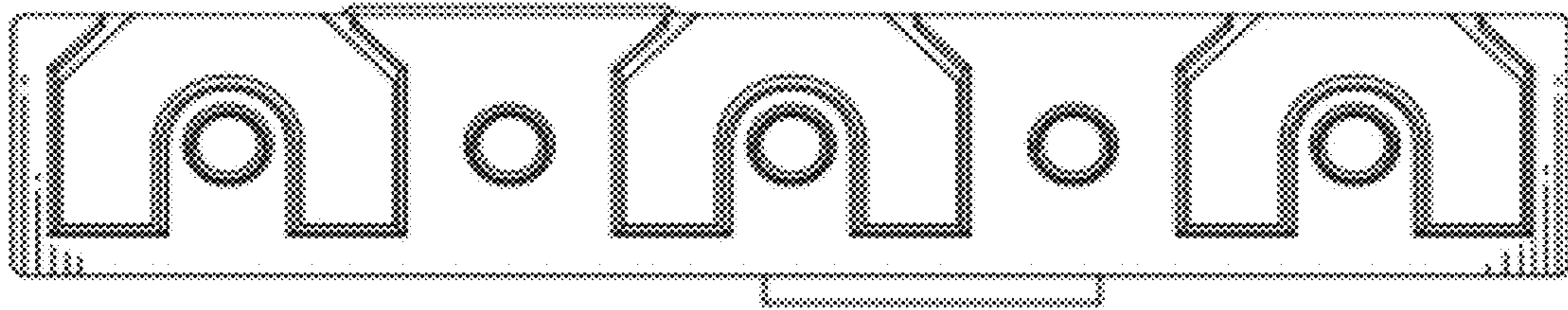


FIG. 2

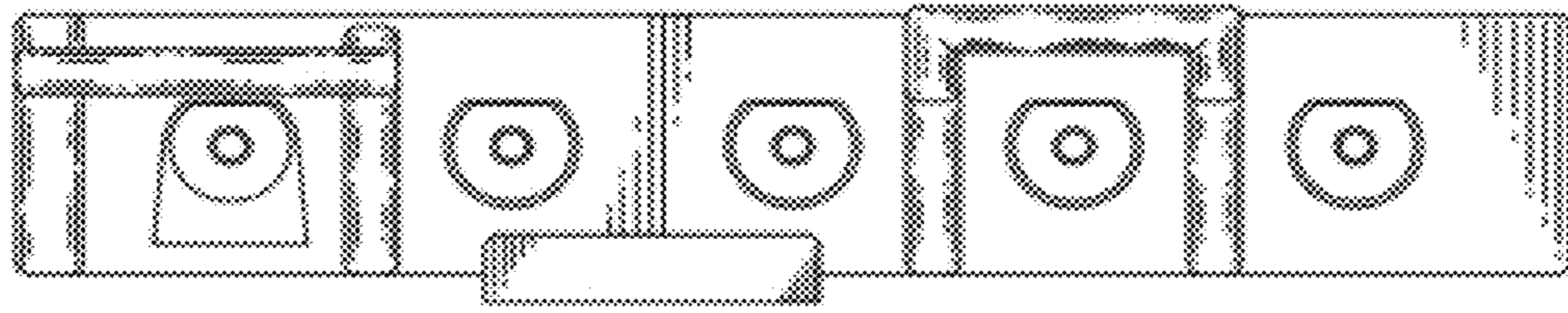


FIG. 3

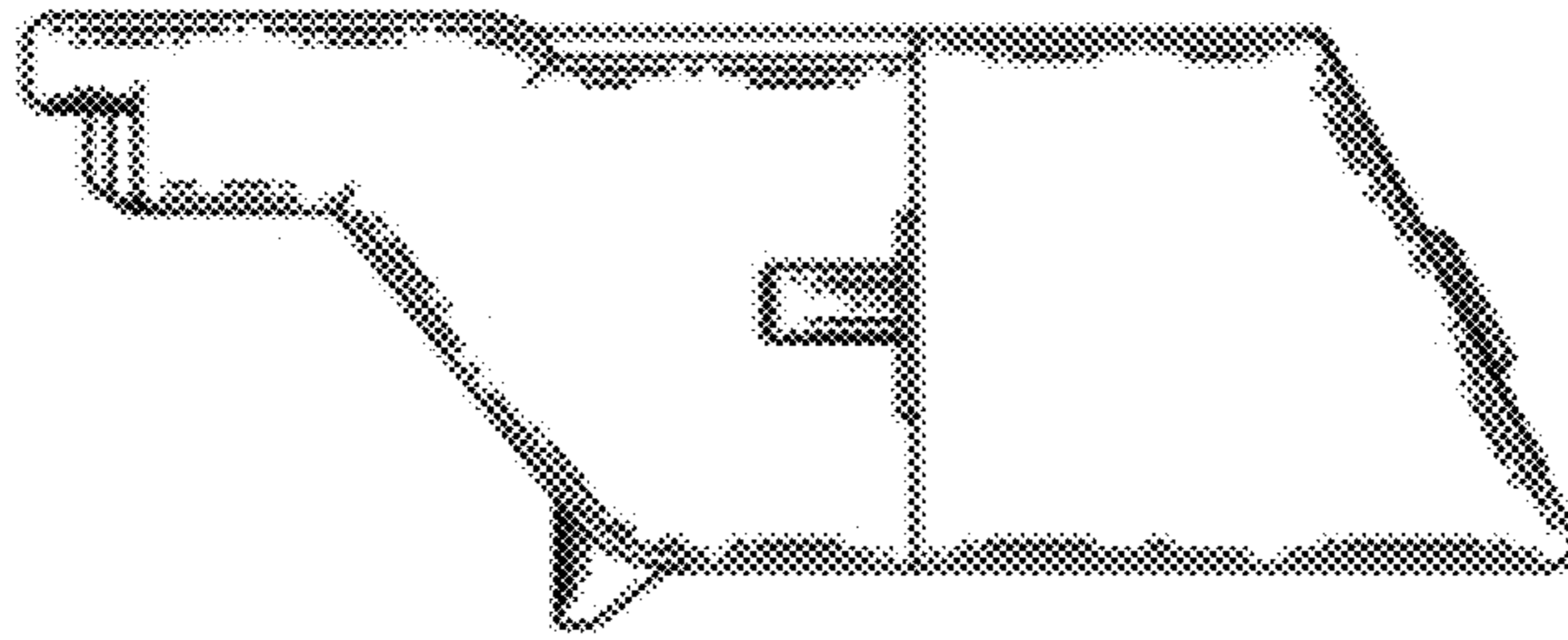


FIG. 4

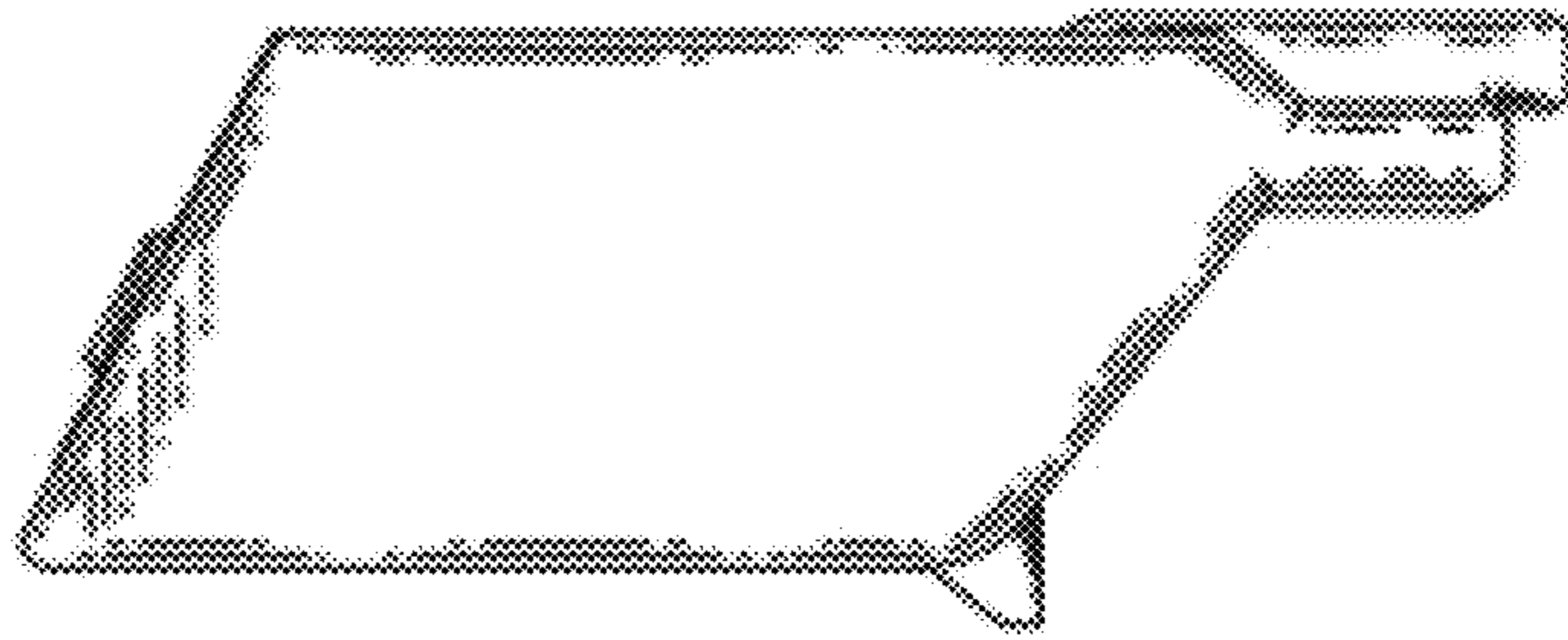


FIG. 5

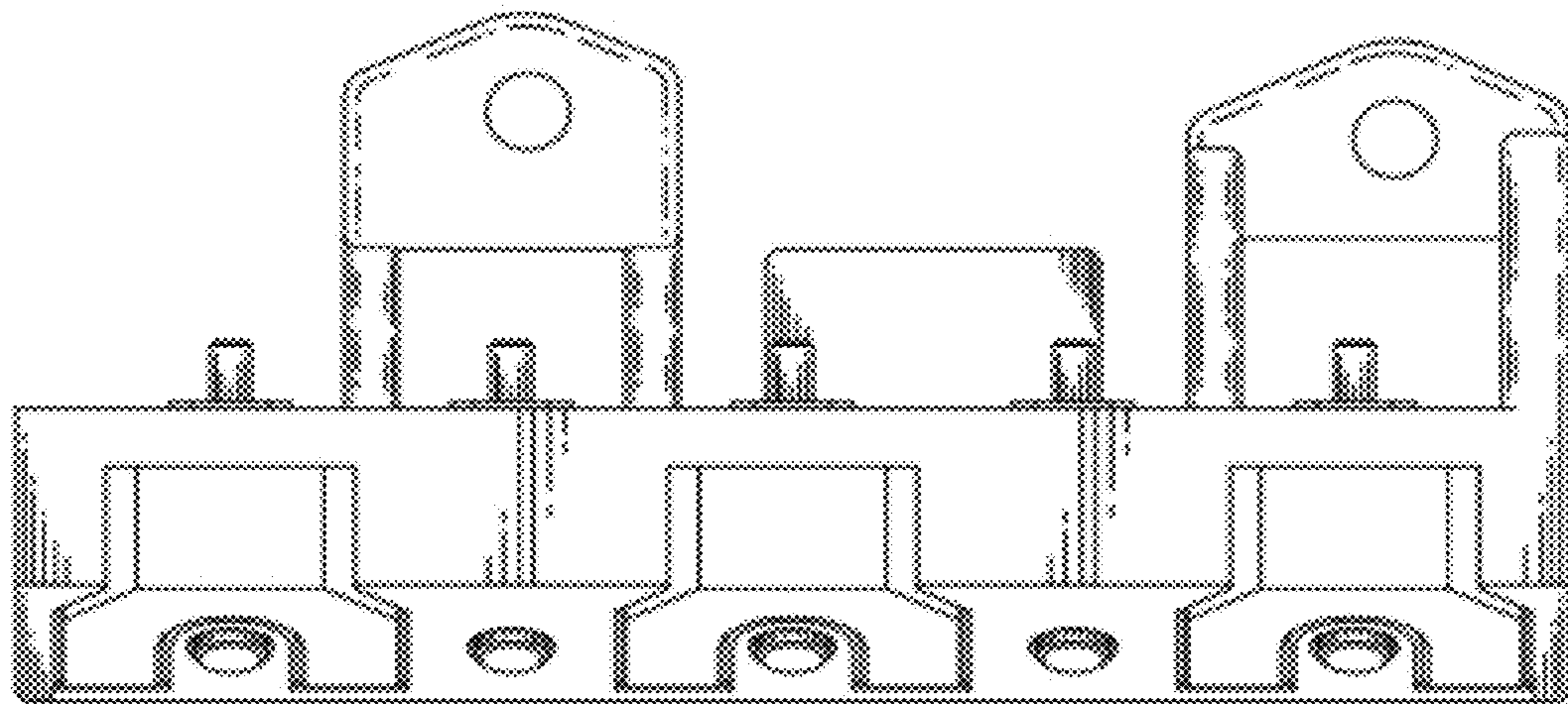


FIG. 6

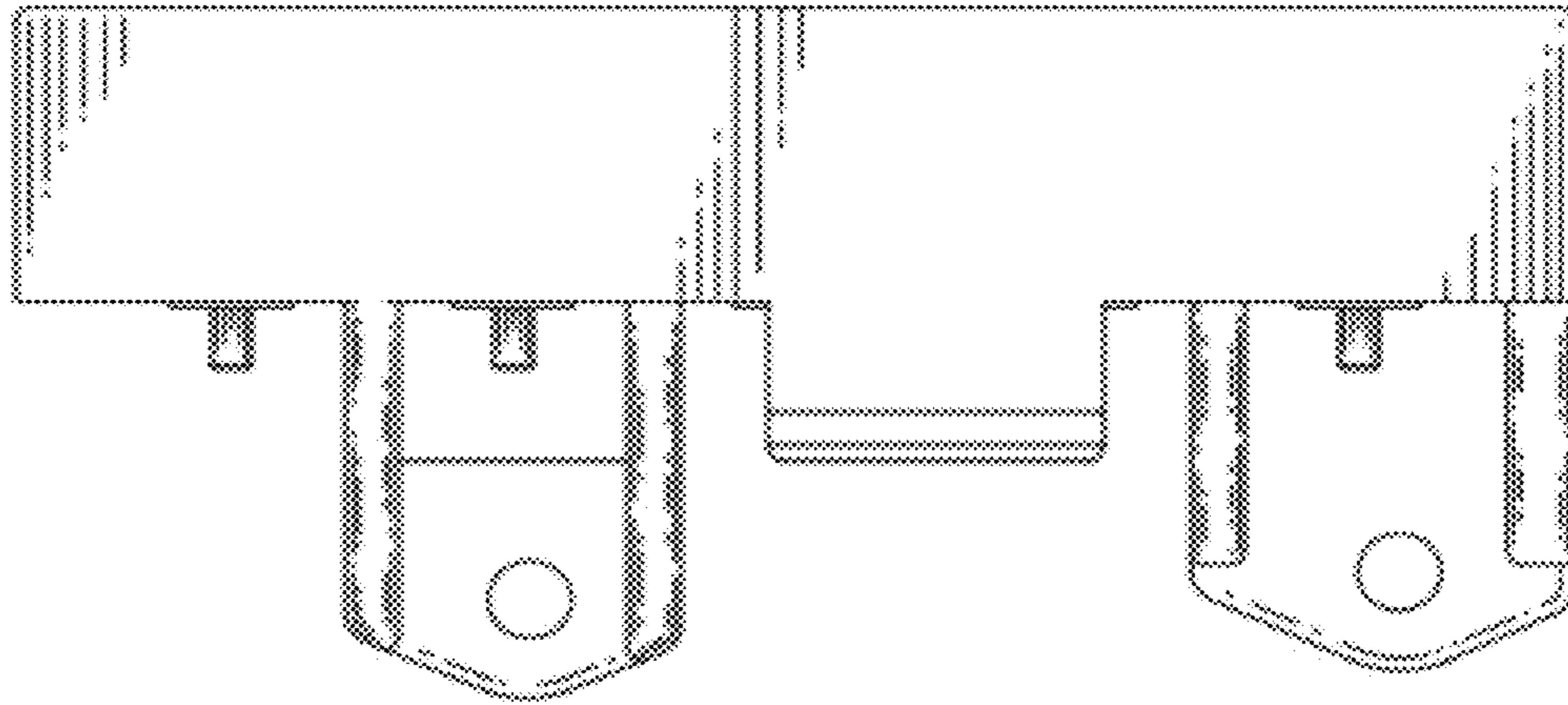


FIG. 7

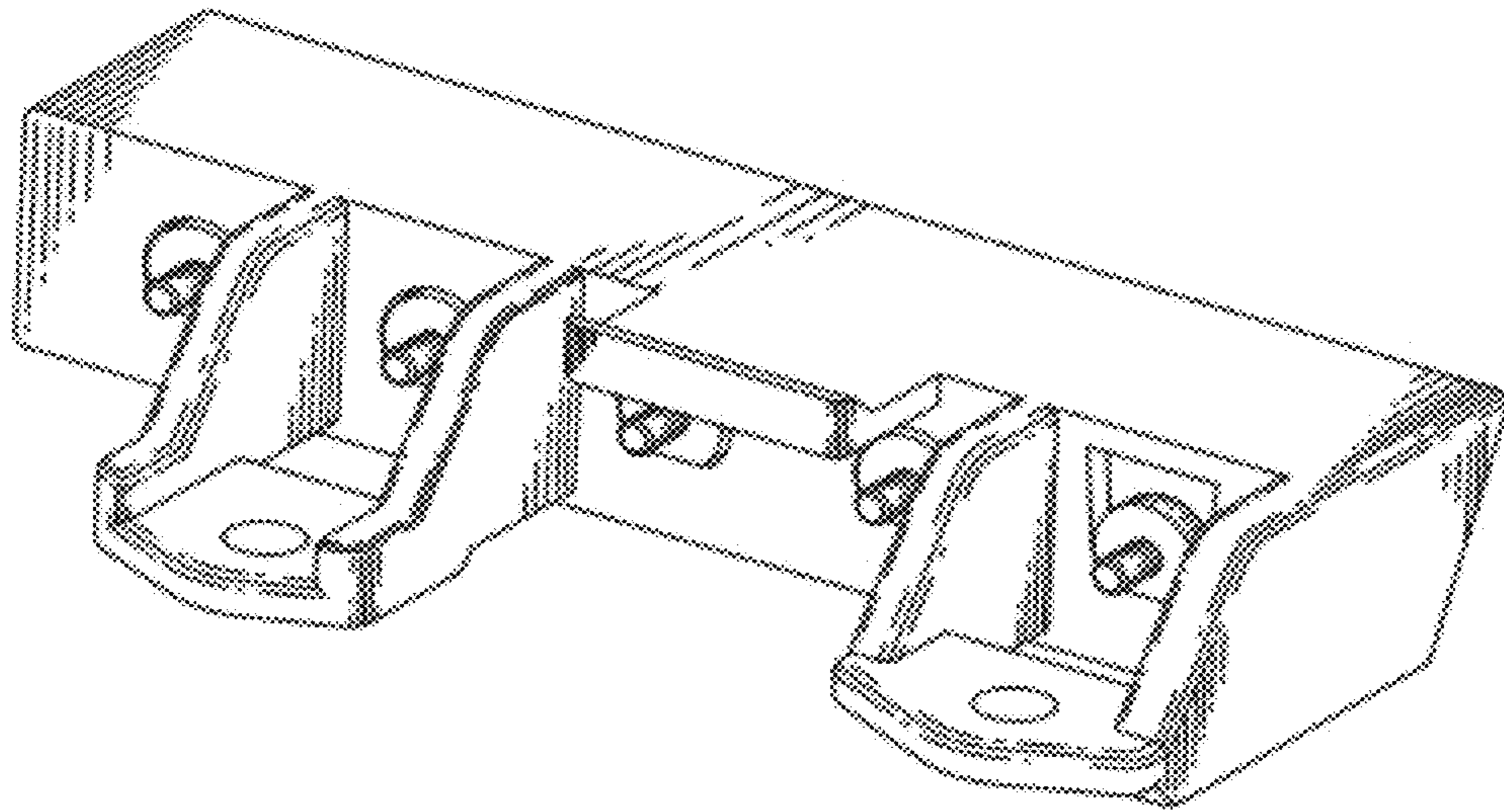


FIG. 8