



US00D663695S

(12) **United States Design Patent**
Zhang et al.

(10) **Patent No.:** **US D663,695 S**
(45) **Date of Patent:** **** Jul. 17, 2012**

(54) **SOCKET CONNECTOR**

(75) Inventors: **Hong-Tu Zhang**, Guang-Dong (CN);
Ai-Gong Chi, Guang-Dong (CN);
Ping-Chih Chen, Tu-Cheng (TW);
Ming-Chiang Chen, Tu-Cheng (TW)

(73) Assignee: **Cheng Uei Precision Industry Co., Ltd.**, Tu-Cheng, Taipei Hsien (TW)

(**) Term: **14 Years**

(21) Appl. No.: **29/384,020**

(22) Filed: **Jan. 25, 2011**

(51) **LOC (9) Cl.** **13-03**

(52) **U.S. Cl.** **D13/147**

(58) **Field of Classification Search** D13/133,
D13/147, 154, 184; 439/188, 278, 374, 378,
439/380, 527, 533, 607.01, 607.04, 607.05,
439/607.17, 607.25, 607.34, 607.41, 607.53,
439/668, 540.1, 541.5, 660, 892, 894, 939

See application file for complete search history.

(56) **References Cited**

U.S. PATENT DOCUMENTS

5,338,215	A *	8/1994	Lee et al.	439/188
D420,642	S *	2/2000	Wu	D13/133
6,093,058	A *	7/2000	Wu	439/607.35
D494,137	S *	8/2004	Fang	D13/133

* cited by examiner

Primary Examiner — Daniel Bui

(74) *Attorney, Agent, or Firm* — Cheng-Ju Chiang

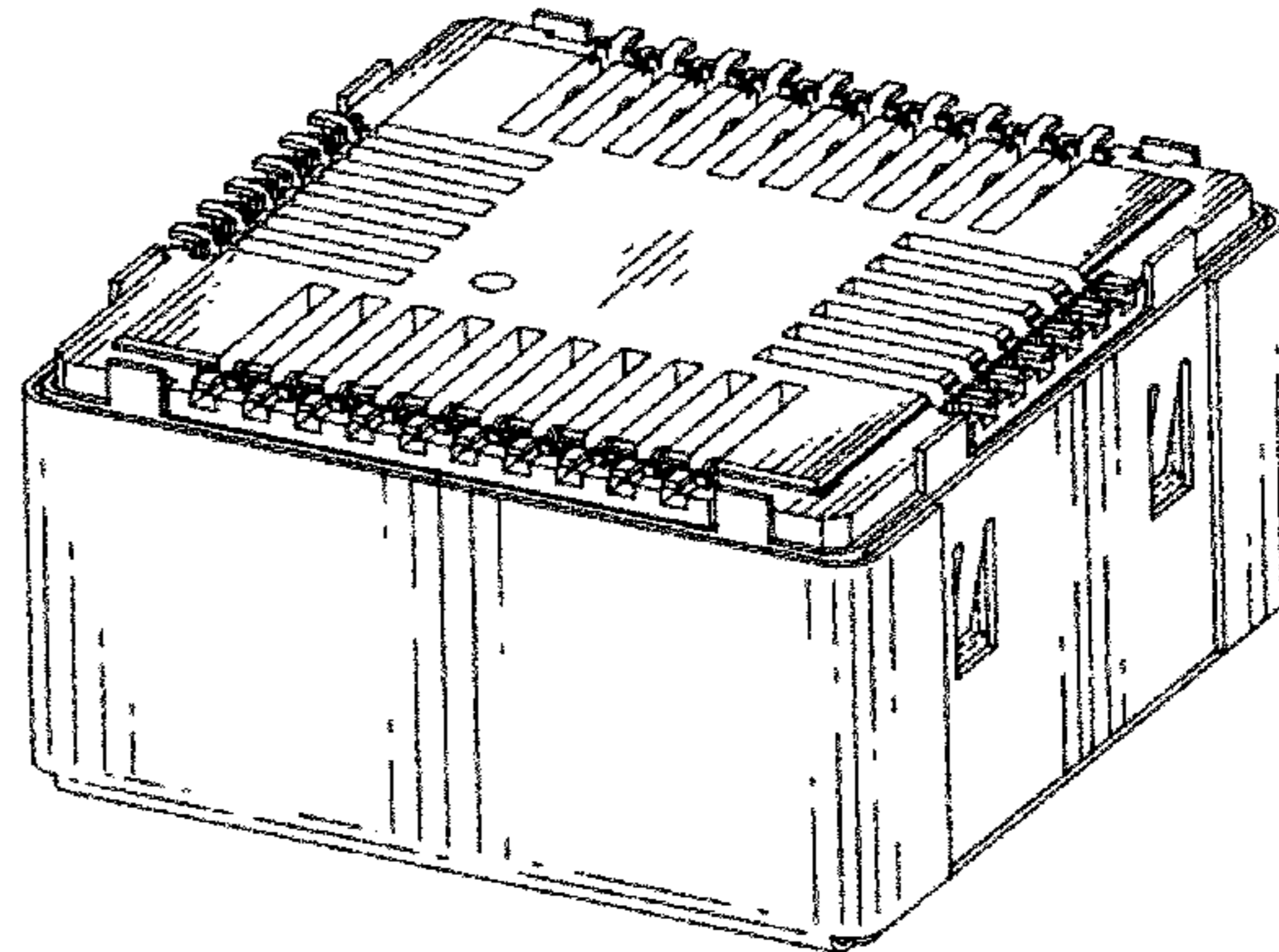
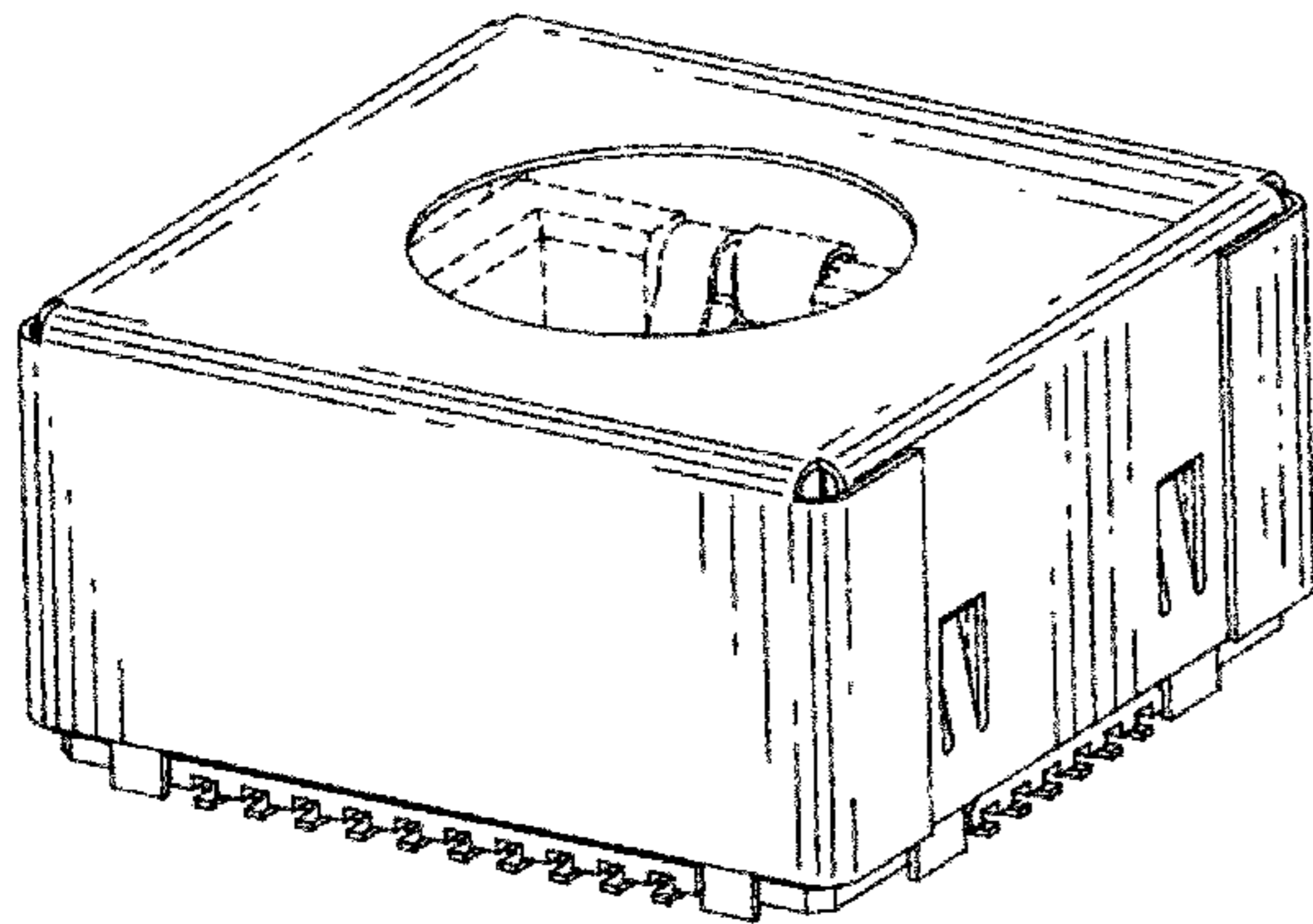
(57) **CLAIM**

The ornamental design for a socket connector, as shown and described.

DESCRIPTION

FIG. 1 is a perspective view of a socket connector showing our new design;
FIG. 2 is a front elevational view thereof;
FIG. 3 is a rear elevational view thereof;
FIG. 4 is a left side elevational view thereof;
FIG. 5 is a right side elevational view thereof;
FIG. 6 is a top plan view thereof;
FIG. 7 is a bottom plan view thereof; and,
FIG. 8 is another perspective view of the socket connector showing our new design.
The broken line portion of the figure drawings is included to show unclaimed subject matter only and forms no part of the claimed design.

1 Claim, 8 Drawing Sheets



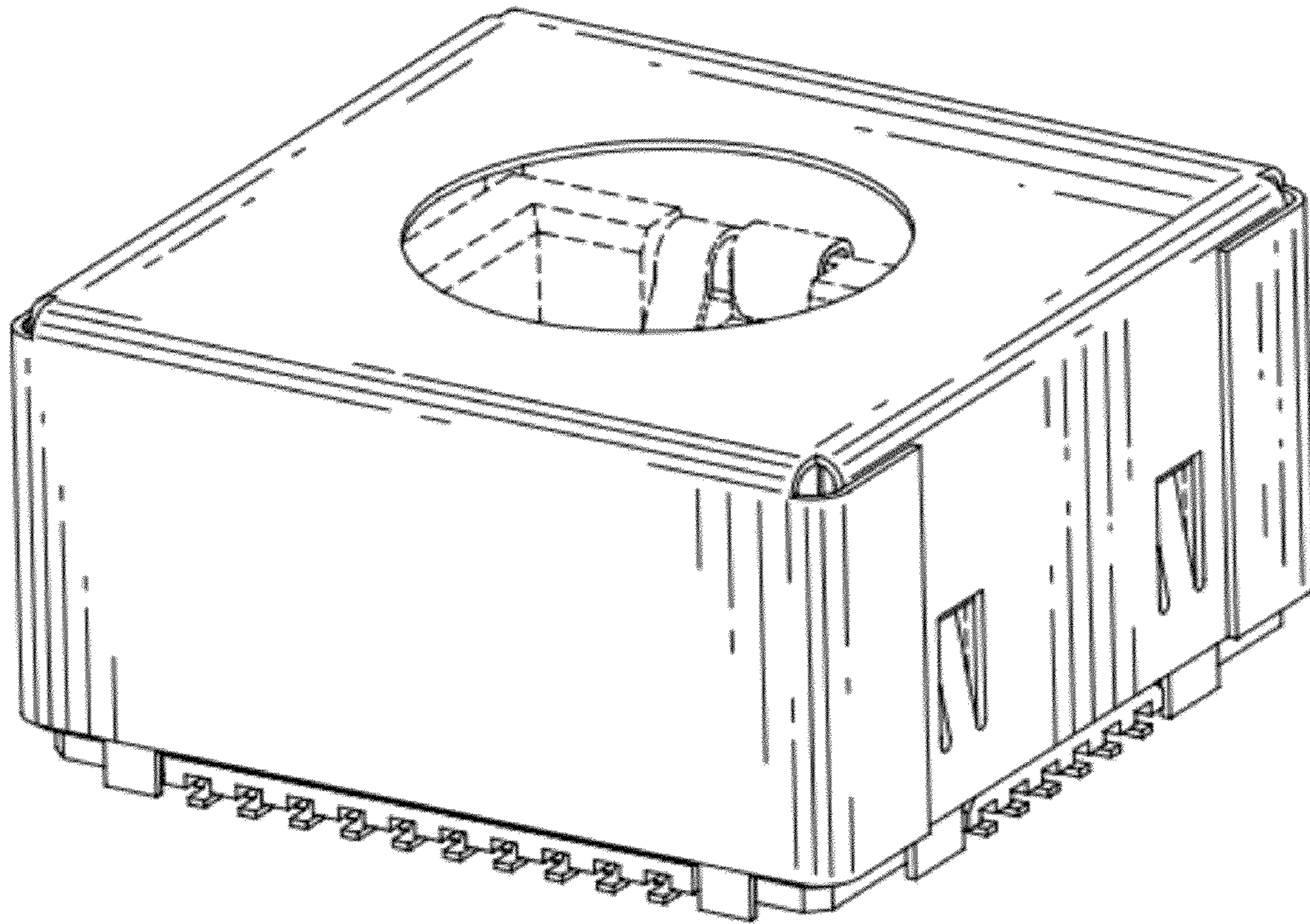


FIG. 1

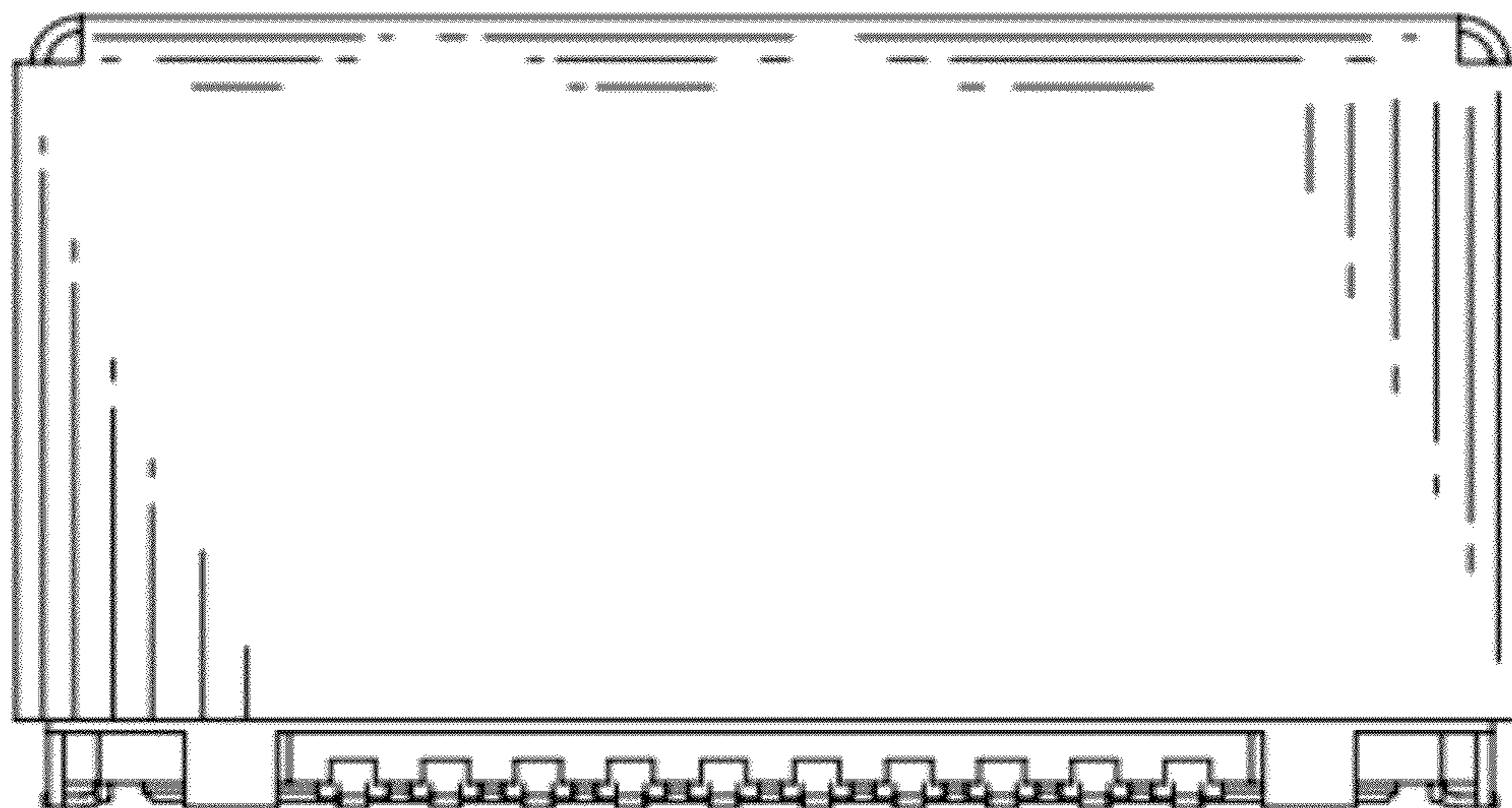


FIG. 2

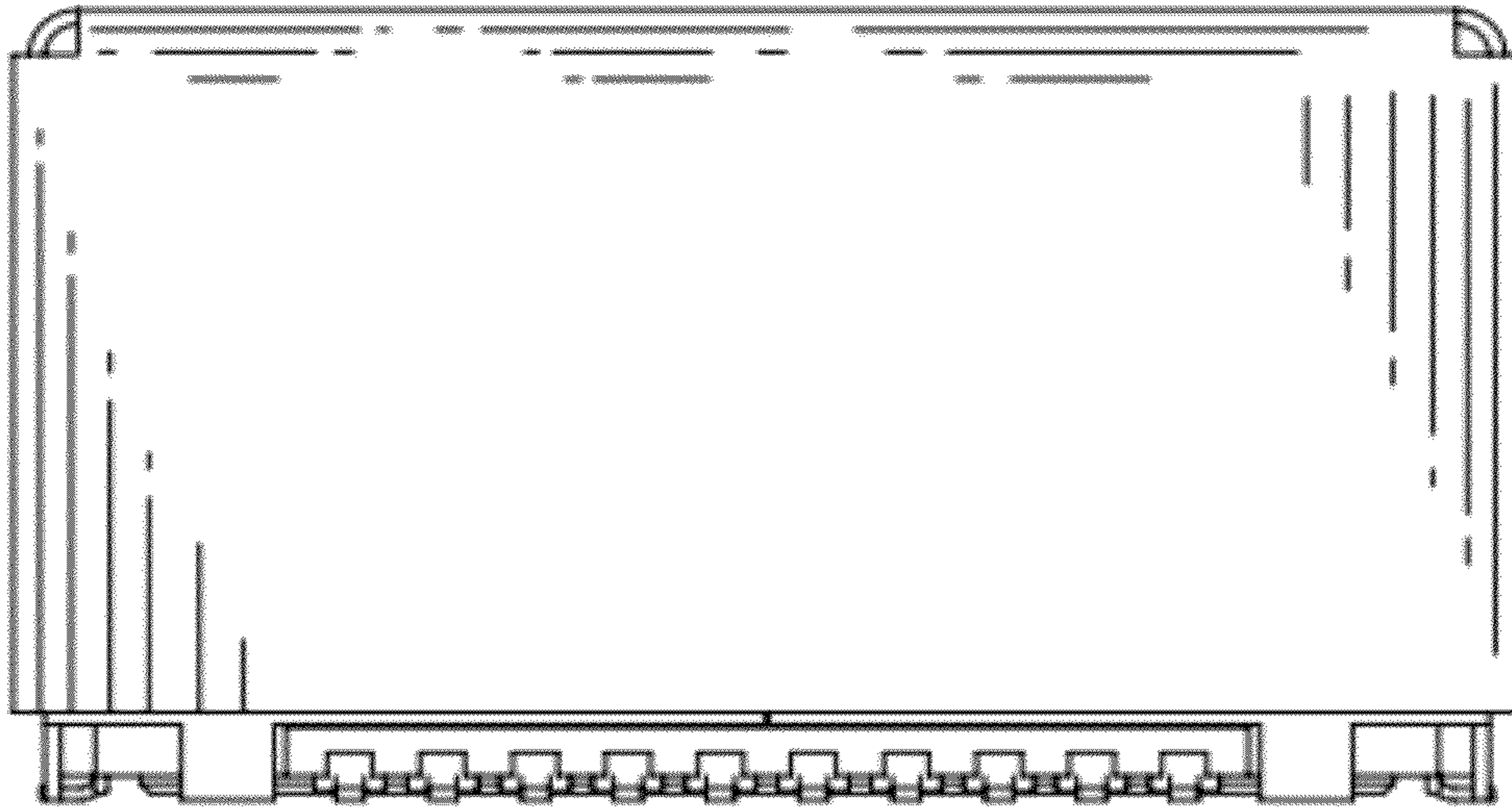


FIG. 3

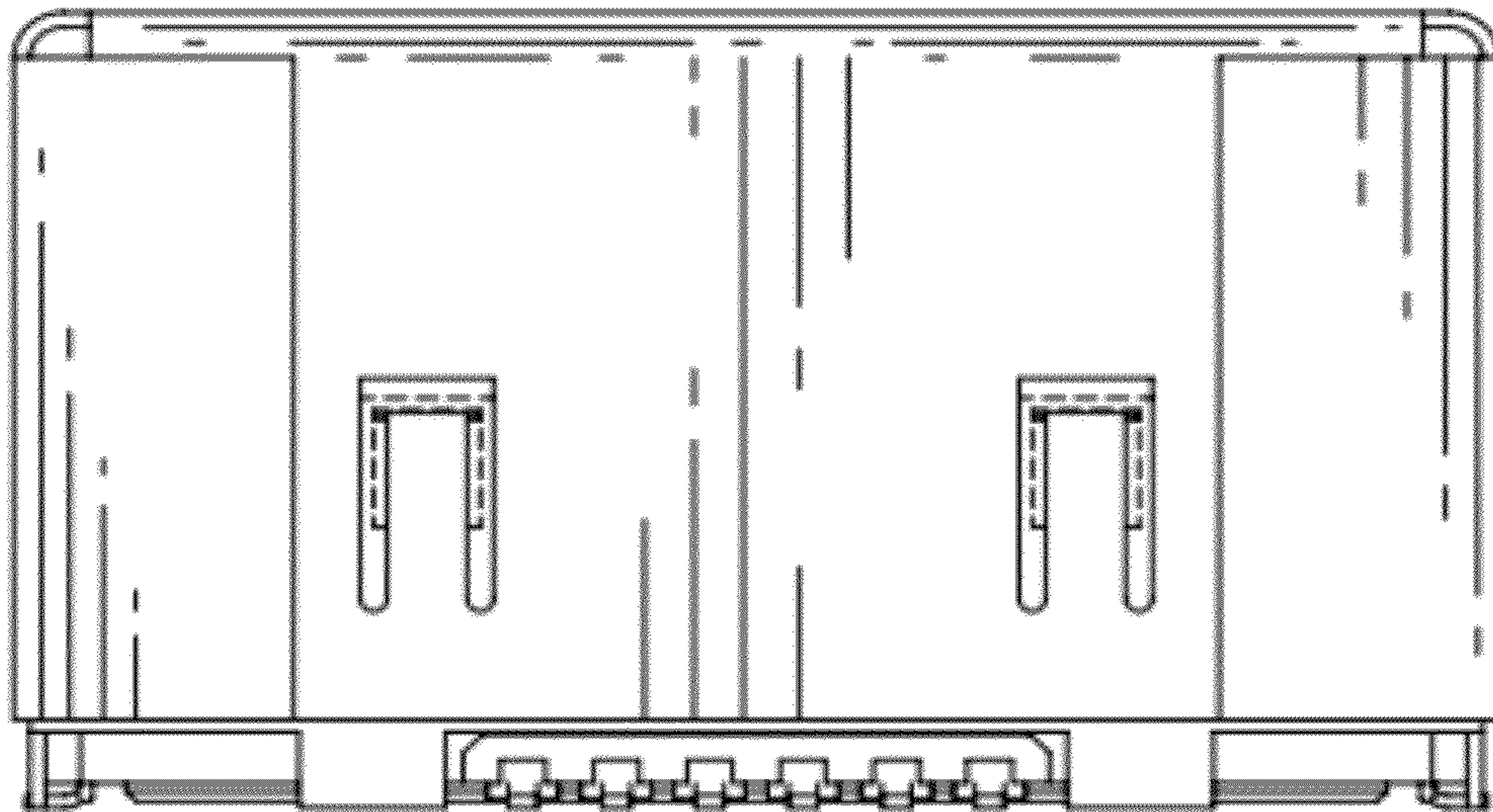


FIG. 4

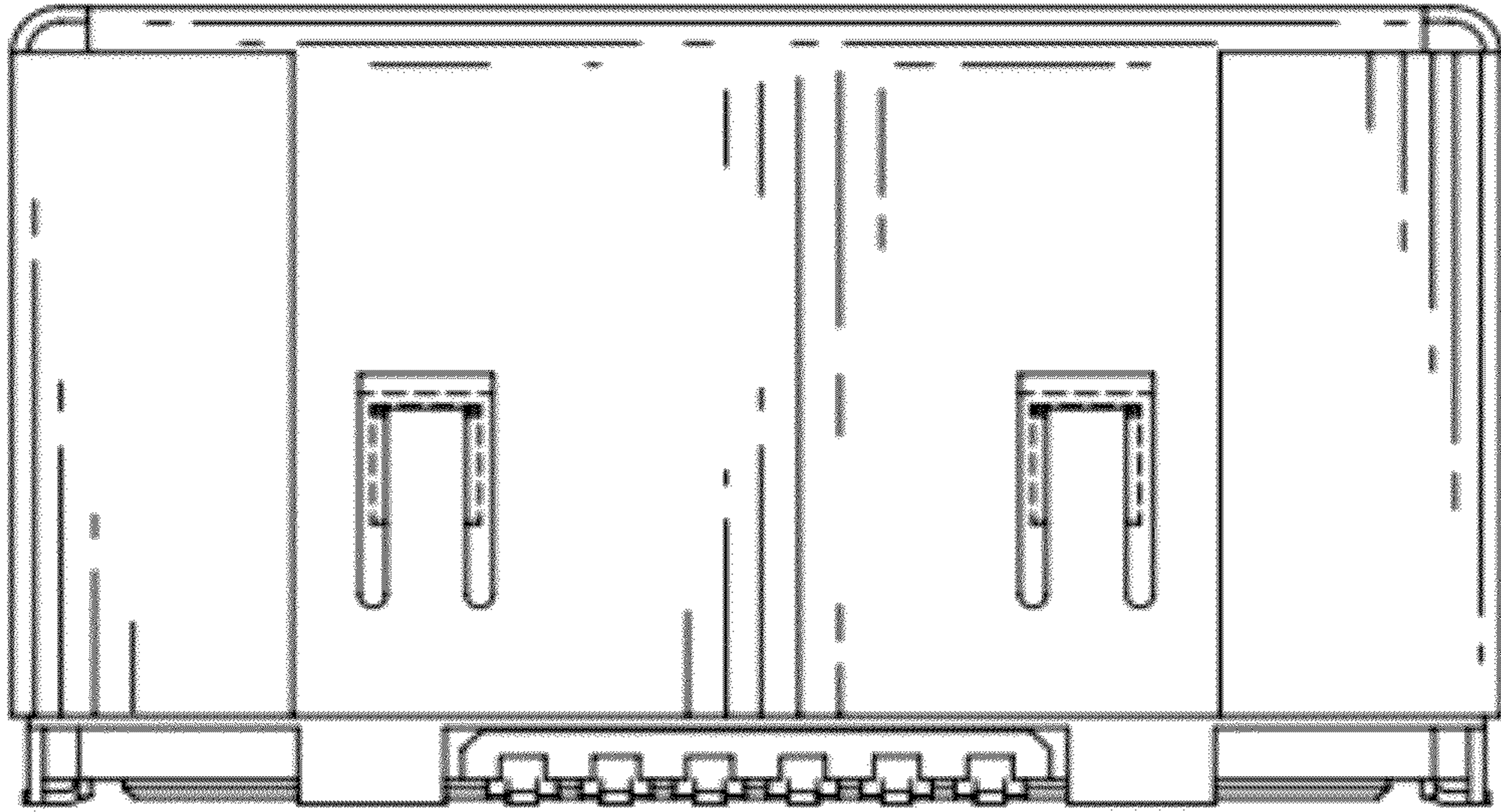


FIG. 5

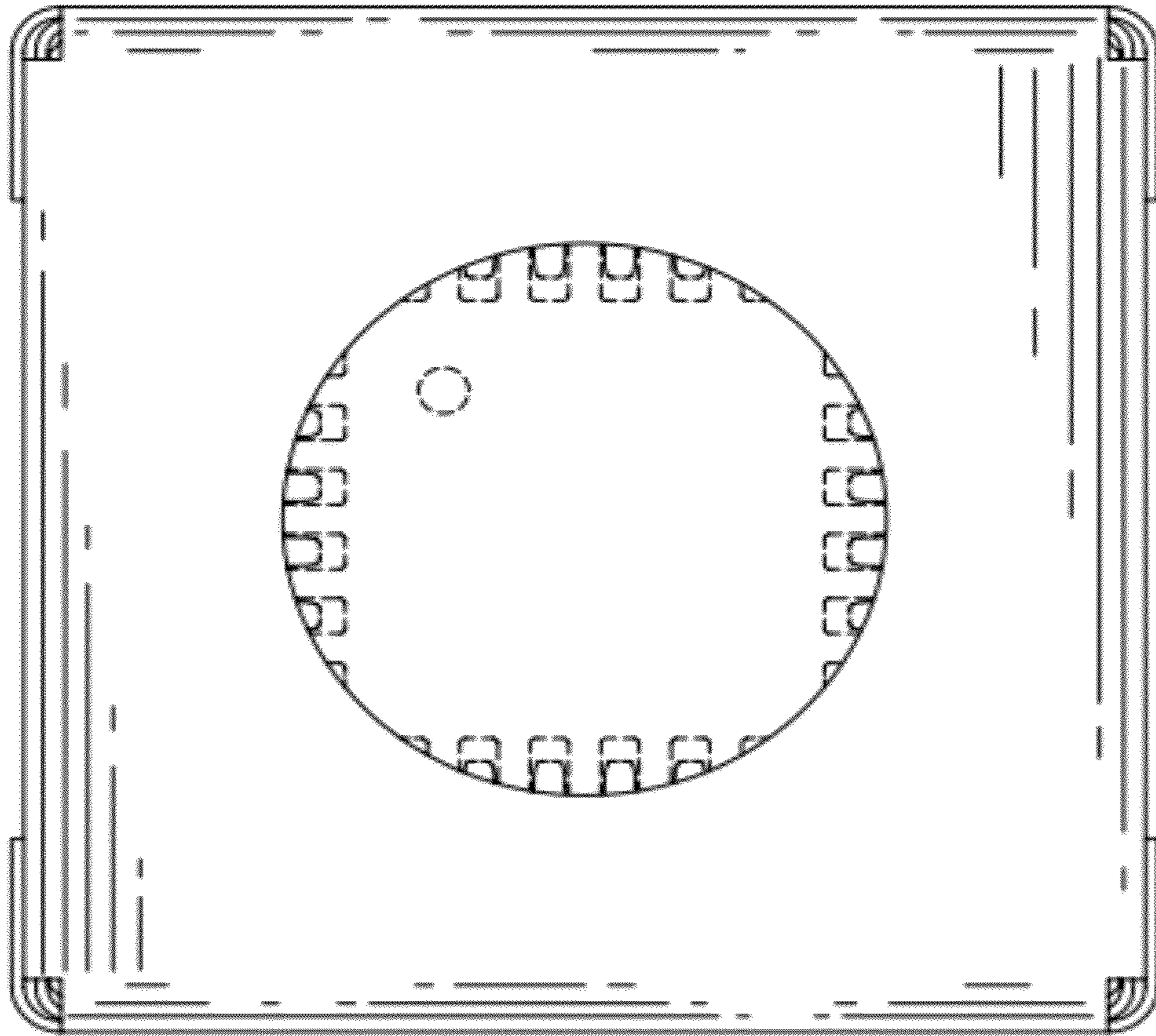


FIG. 6

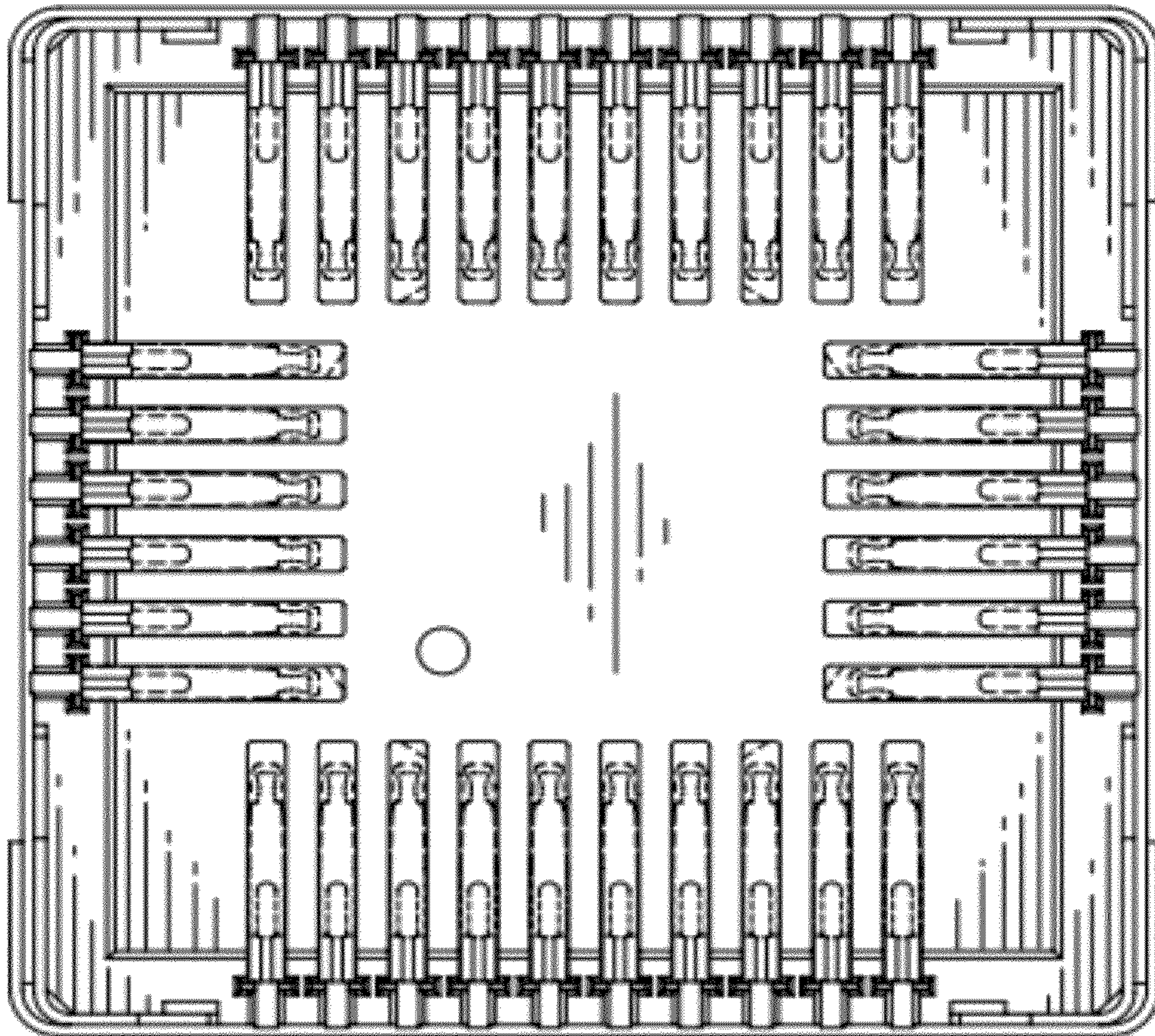


FIG. 7

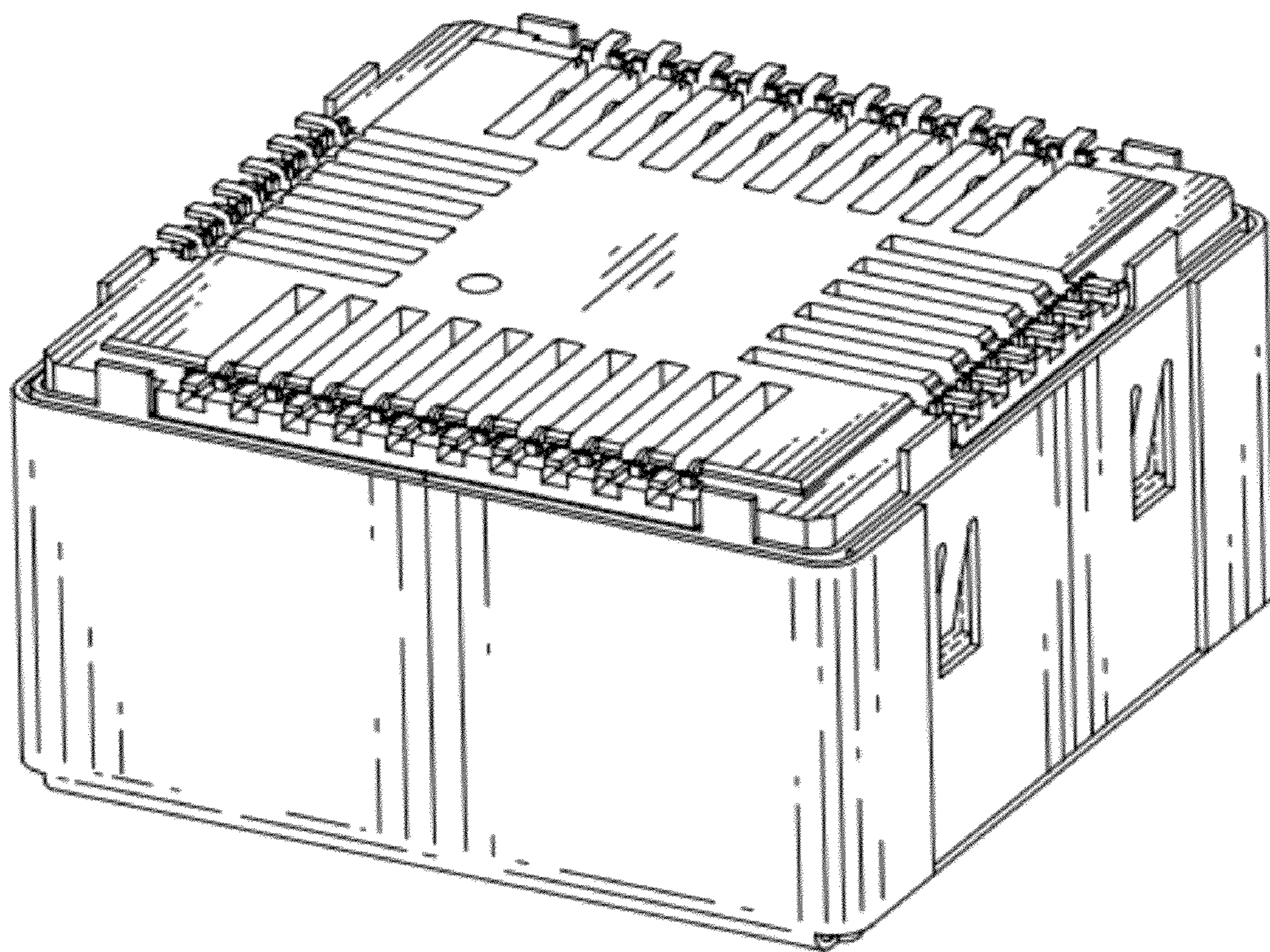


FIG. 8