



US00D663694S

(12) **United States Design Patent**
Fu et al.

(10) **Patent No.:** **US D663,694 S**
(45) **Date of Patent:** **** Jul. 17, 2012**

(54) **RECEPTACLE CONNECTOR**

(75) Inventors: **Hui-Ying Fu**, Guang-Dong (CN);
Zhu-Rui Liu, Guang-Dong (CN)

(73) Assignee: **Cheng Uei Precision Industry Co., Ltd.**, Tu-Cheng, Taipei Hsien (TW)

(**) Term: **14 Years**

(21) Appl. No.: **29/378,074**

(22) Filed: **Oct. 28, 2010**

(51) **LOC (9) Cl.** **13-03**

(52) **U.S. Cl.** **D13/147**

(58) **Field of Classification Search** D13/133,
D13/147, 154, 184; 439/188, 278, 374, 378,
439/380, 527, 533, 607.01, 607.04, 607.05,
439/607.17, 607.25, 607.34, 607.41, 607.53,
439/668, 540.1, 541.5, 660, 892, 894, 939
See application file for complete search history.

(56) **References Cited**

U.S. PATENT DOCUMENTS

D534,125 S * 12/2006 Wu D13/133
D555,099 S * 11/2007 Lin et al. D13/133
D577,677 S * 9/2008 Li et al. D13/133

D578,487 S * 10/2008 Han et al. D13/154
D632,252 S * 2/2011 Guo et al. D13/147
D641,320 S * 7/2011 Huang D13/133

* cited by examiner

Primary Examiner — Daniel Bui

(74) *Attorney, Agent, or Firm* — Cheng-Ju Chiang

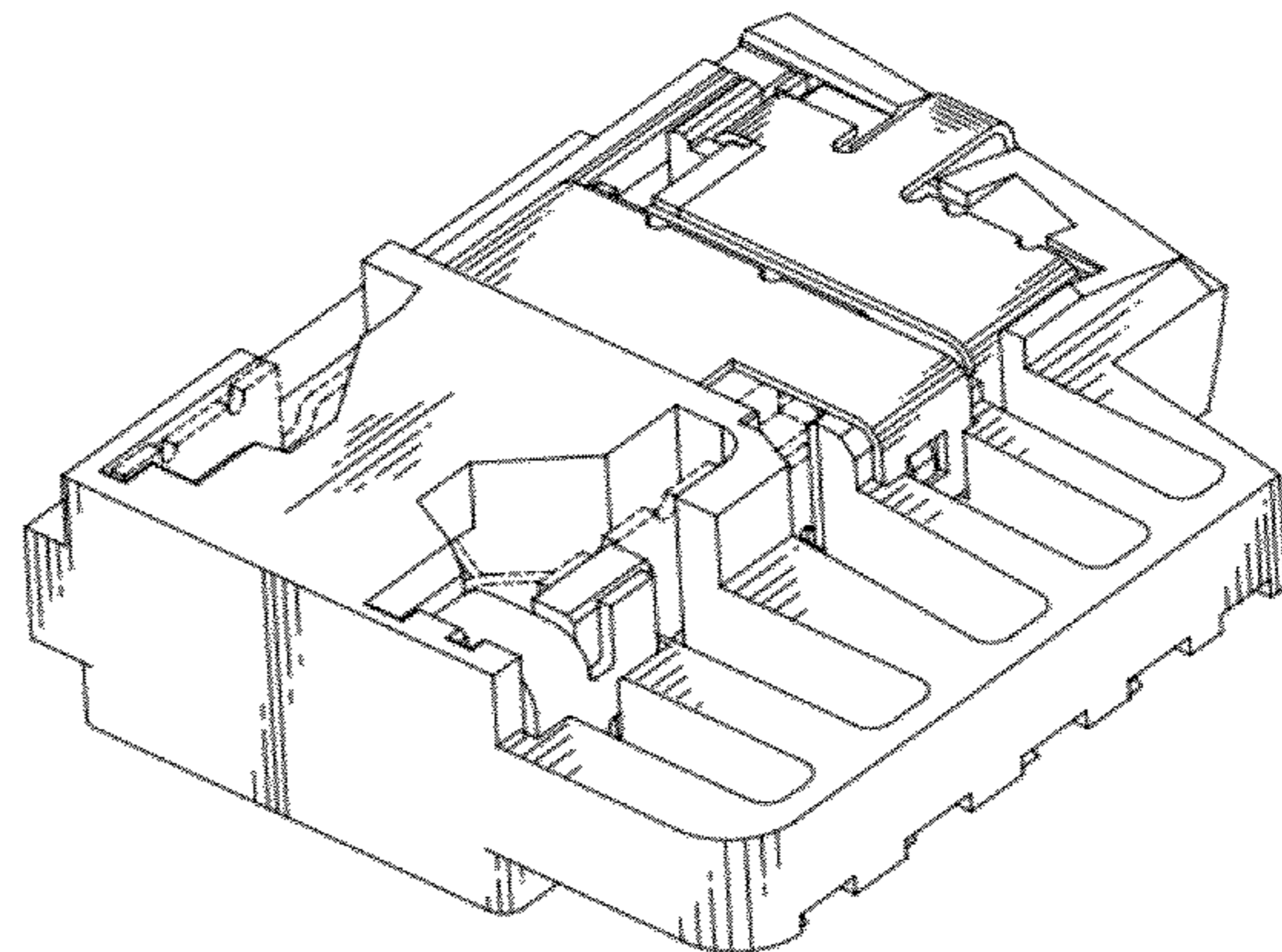
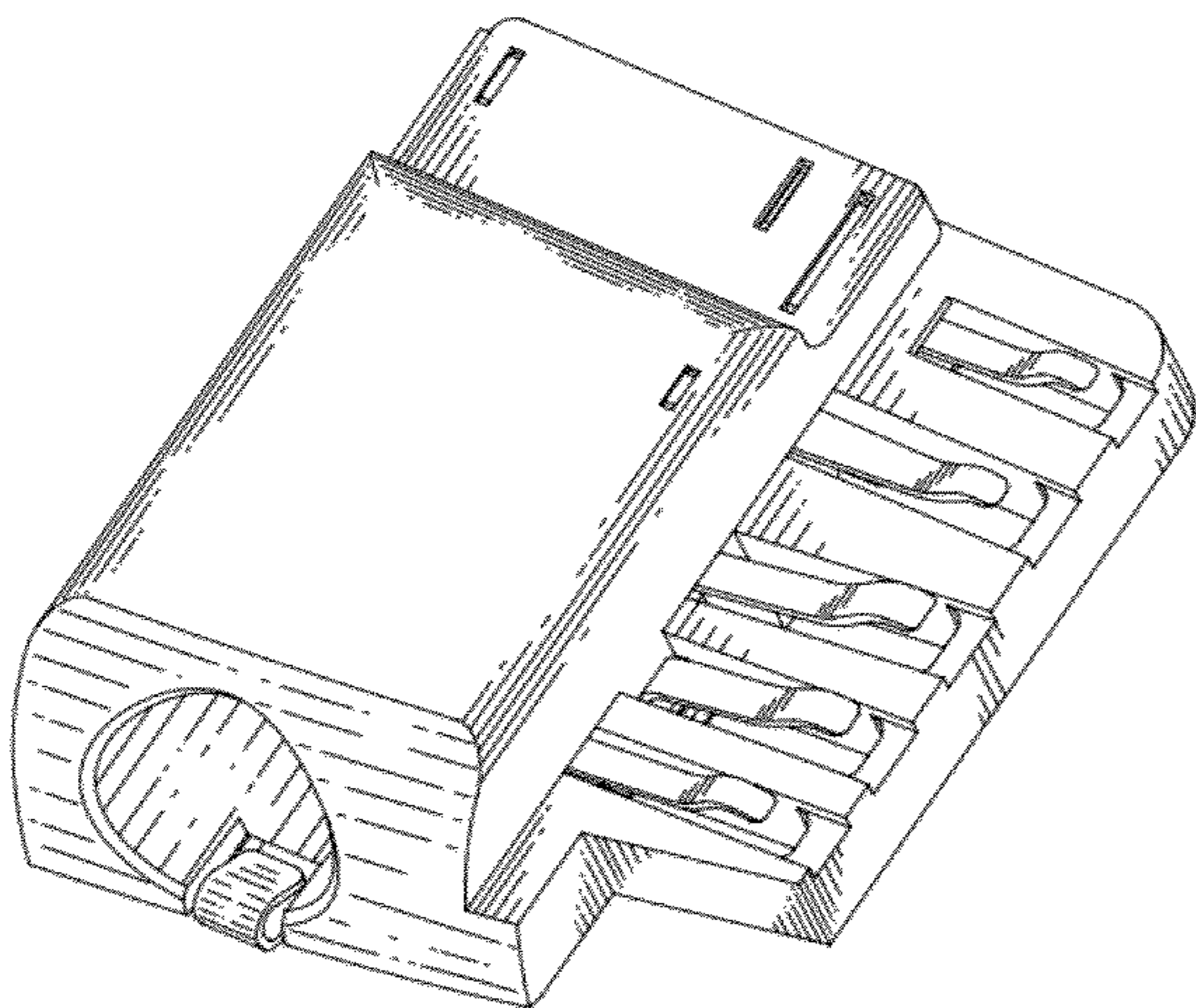
(57) **CLAIM**

The ornamental design for a receptacle connector, as shown and described.

DESCRIPTION

FIG. 1 is a perspective view of a receptacle connector showing our new design;
FIG. 2 is a front elevational view thereof;
FIG. 3 is a rear elevational view thereof;
FIG. 4 is a left side elevational view thereof;
FIG. 5 is a right side elevational view thereof;
FIG. 6 is a top plan view thereof; and
FIG. 7 is a bottom plan view thereof; and,
FIG. 8 is another perspective view of the receptacle connector showing our new design.
The broken line portion of the figure drawings is included to show unclaimed subject matter only and forms no part of the claimed design.

1 Claim, 8 Drawing Sheets



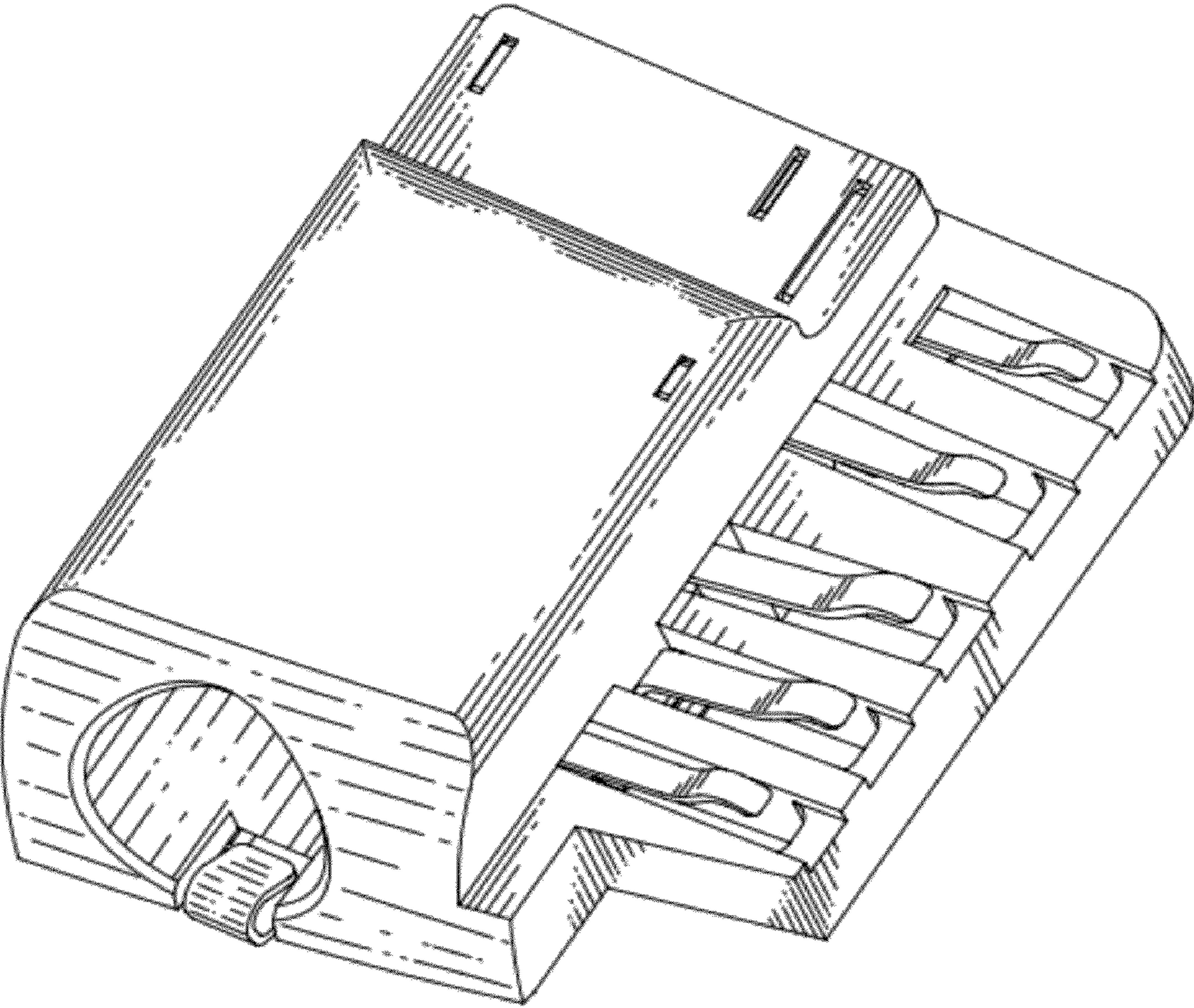


FIG. 1

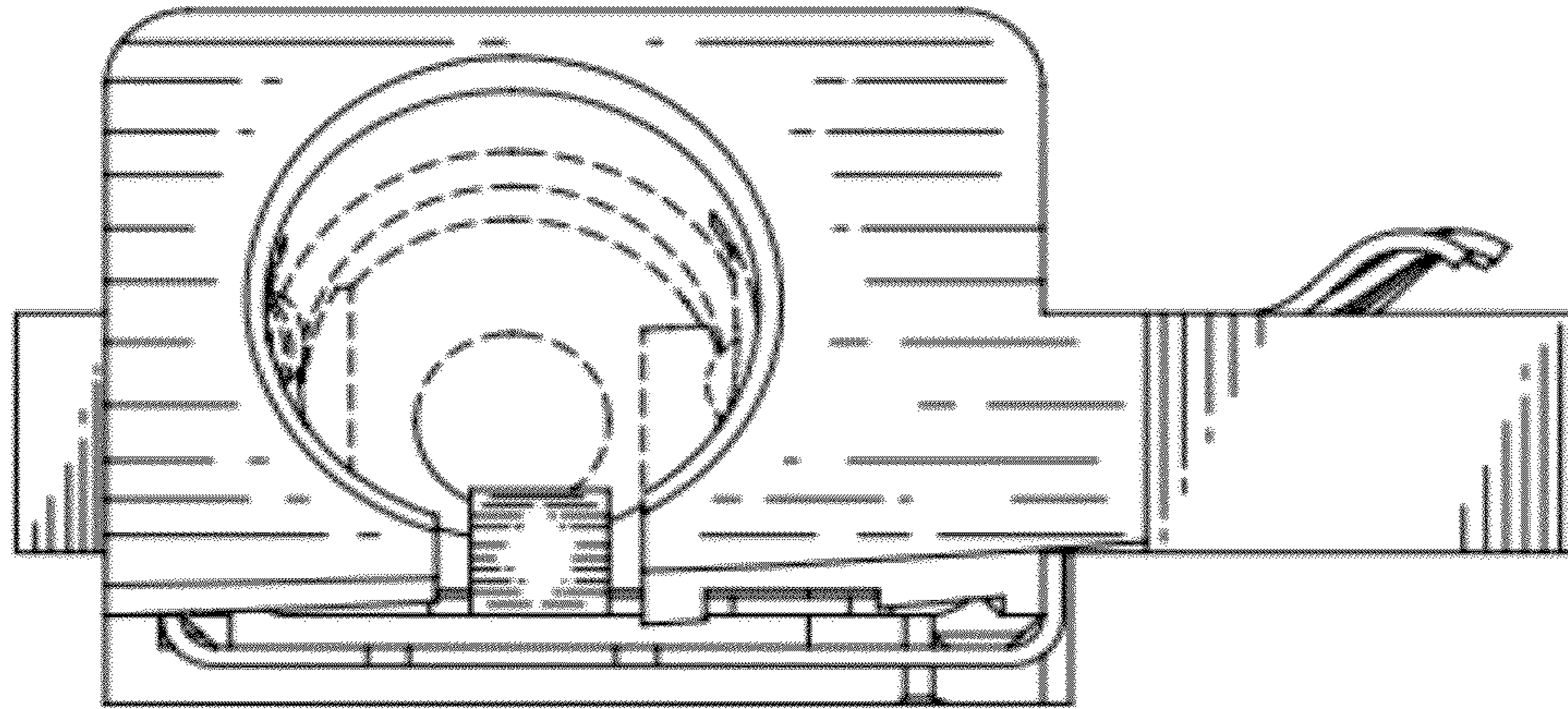


FIG. 2

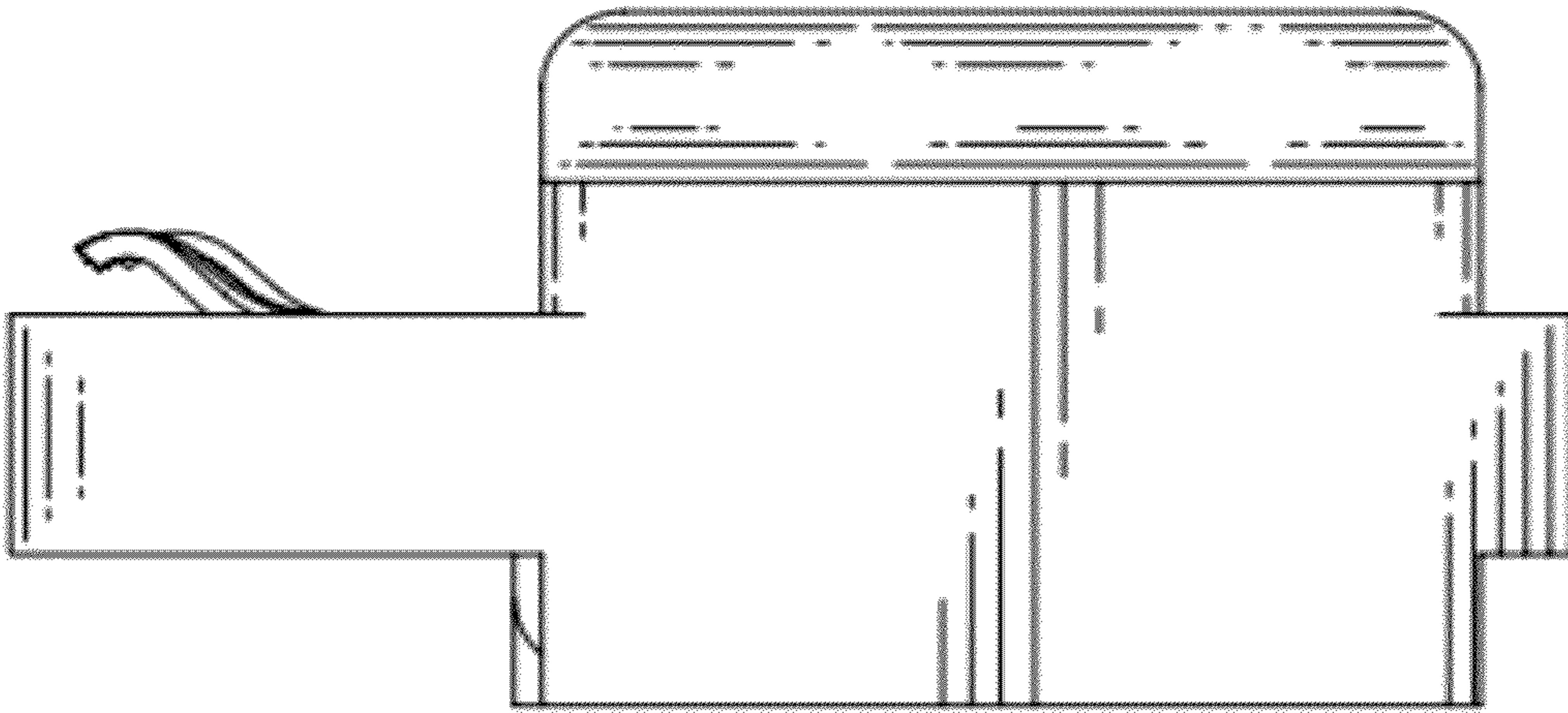


FIG. 3

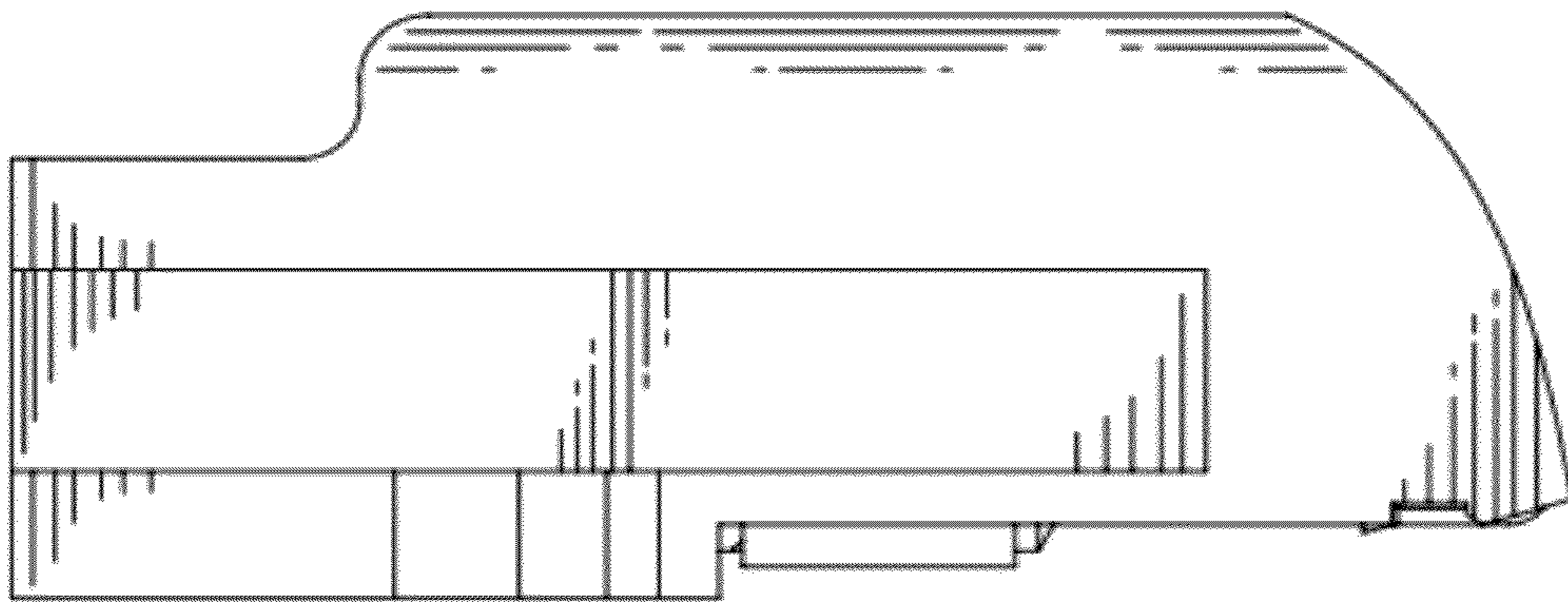


FIG. 4

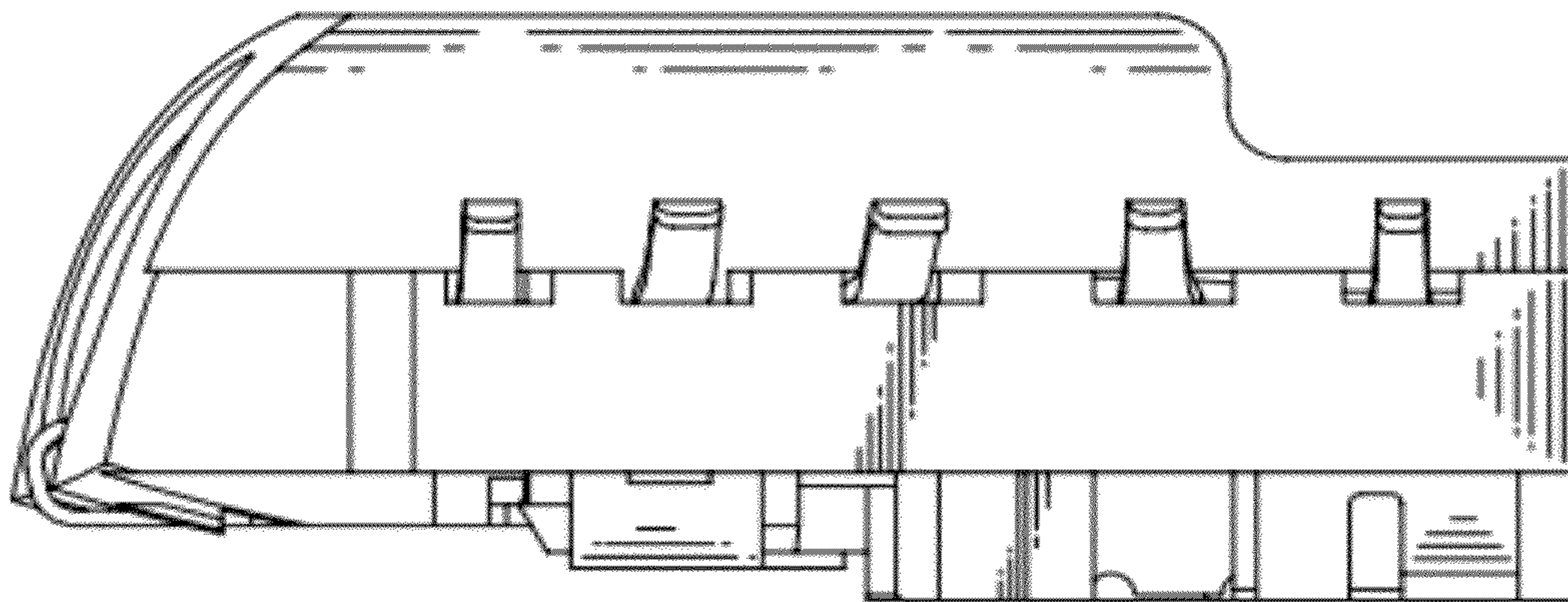


FIG. 5

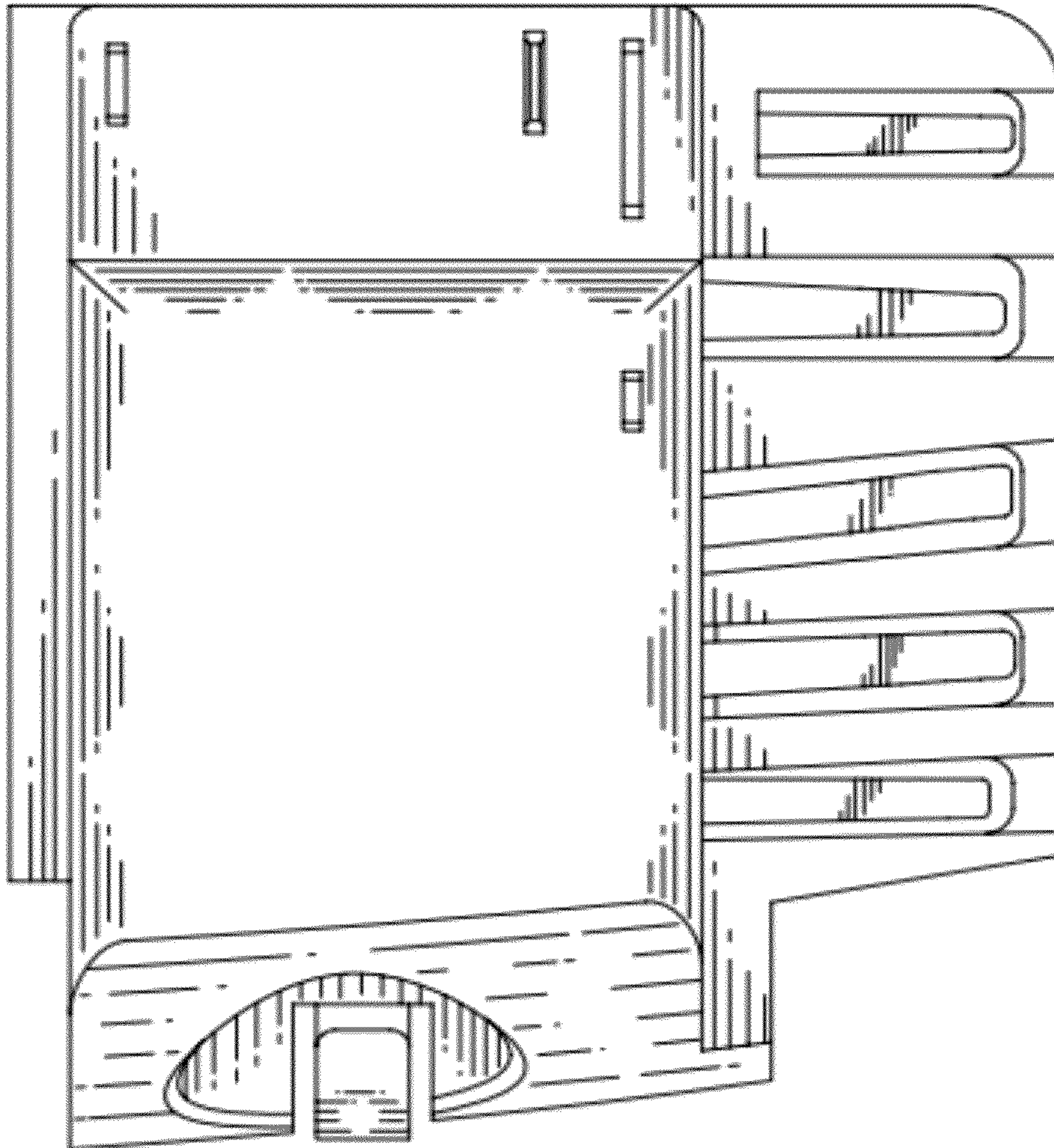


FIG. 6

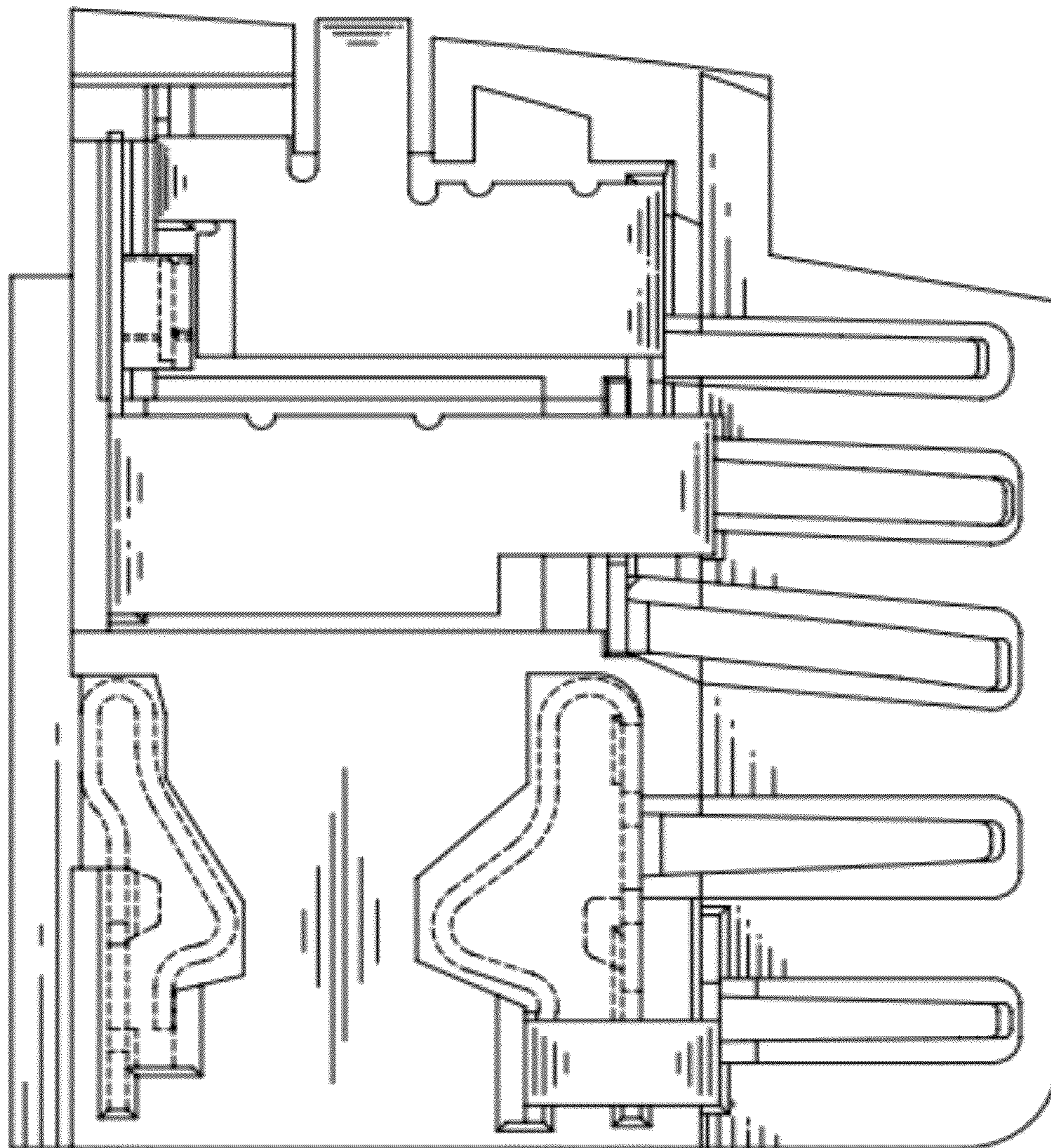


FIG. 7

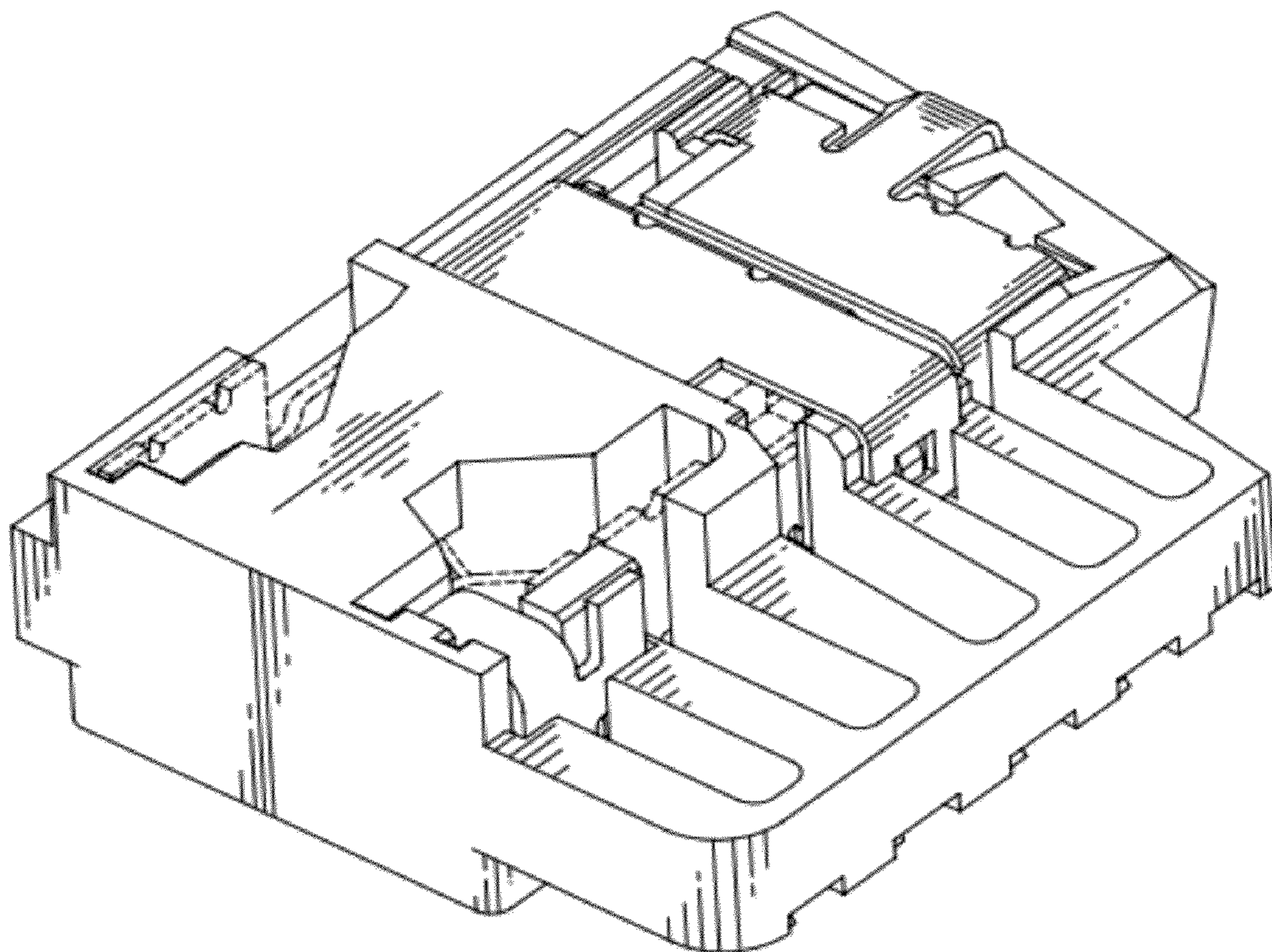


FIG. 8