



US00D663691S

(12) **United States Design Patent**
Magee, Jr.

(10) **Patent No.:** **US D663,691 S**
(45) **Date of Patent:** **** Jul. 17, 2012**

(54) **POWER STRIP**

(76) Inventor: **Kimball P. Magee, Jr.**, Duluth, GA (US)

(**) Term: **14 Years**

(21) Appl. No.: **29/404,567**

(22) Filed: **Oct. 21, 2011**

(51) **LOC (9) Cl.** **13-03**

(52) **U.S. Cl.** **D13/139.8**

(58) **Field of Classification Search** D13/137.1,
D13/137.2, 137.3, 137.4, 138.1, 138.2, 139.1,
D13/139.2, 139.3, 139.4, 139.5, 139.6, 139.7,
D13/139.8, 101, 110, 123, 107, 108, 133,
D13/154, 184, 199; 439/131, 166, 628, 101,
439/102, 105, 106, 108, 172, 173, 174, 175,
439/177, 476.1, 578, 583, 620.15, 620.17;
363/15, 146, 34; 307/151; 320/111, 114;
174/493, 494, 66, 67

See application file for complete search history.

(56) **References Cited**

U.S. PATENT DOCUMENTS

D279,979	S	*	8/1985	Kovacik et al.	D13/139.8
D433,386	S	*	11/2000	Veino et al.	D13/160
D445,403	S	*	7/2001	Veino et al.	D13/154
6,406,308	B1	*	6/2002	Wang	439/145
D495,658	S	*	9/2004	Cho	D13/137.3
D532,377	S	*	11/2006	Blake et al.	D13/139.6
D537,040	S	*	2/2007	Chesebro et al.	D13/139.8
D546,286	S	*	7/2007	Lichtscheidl et al.	D13/139.6
D549,656	S	*	8/2007	Hsiao	D13/139.8
D574,328	S	*	8/2008	Chen et al.	D13/139.6
D581,873	S	*	12/2008	Zhou	D13/139.6
D641,702	S	*	7/2011	Chuang	D13/139.8
D644,180	S	*	8/2011	Lee et al.	D13/139.8

OTHER PUBLICATIONS

'Power Strip On/Off Press by Foot' [CPT-116M] from Computer Parts Plus Website. (<http://www.computerpartsplus.com/contents/en-us/d87.html>) Printed from internet on Oct. 21, 2011.

* cited by examiner

Primary Examiner — Angela J Lee

(74) *Attorney, Agent, or Firm* — Brient Intellectual Property Law, LLC

(57) **CLAIM**

The ornamental design for a power strip, as shown and described.

DESCRIPTION

FIG. 1 is a perspective view of a power strip according to an embodiment of the present design.

FIG. 2 is a top plan view of the power strip of FIG. 1.

FIG. 3 is a bottom plan view of the power strip of FIG. 1.

FIG. 4 is a back side elevational view of the power strip of FIG. 1.

FIG. 5 is a front side elevational view of the power strip of FIG. 1.

FIG. 6 is a right side elevational view of the power strip of FIG. 1; and,

FIG. 7 is a left side elevational view of the power strip of FIG. 1.

The broken lines shown in FIGS. 1 through 7 illustrate portions of the power strip that form no part of the claimed design.

1 Claim, 5 Drawing Sheets

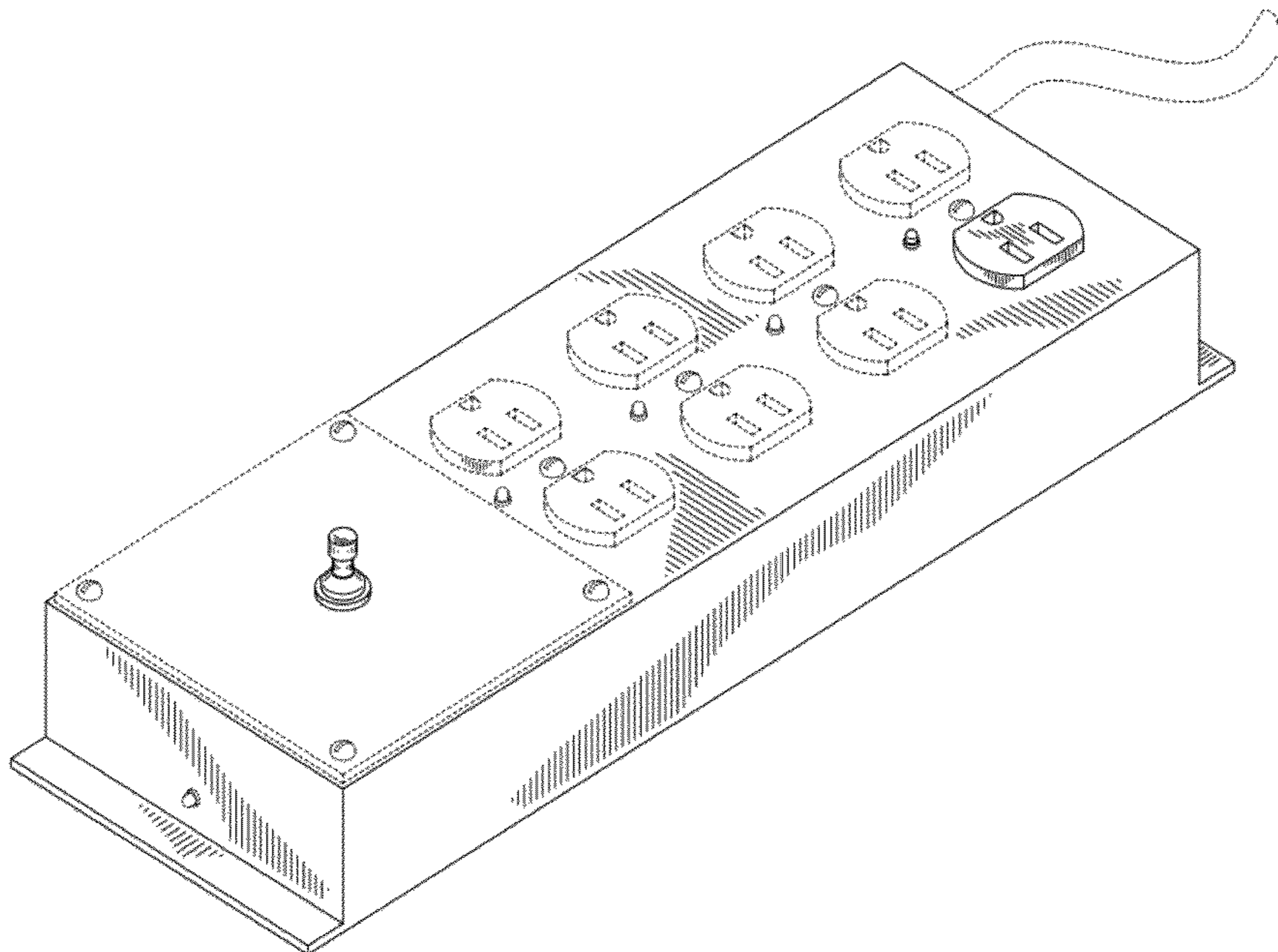


FIG. 1

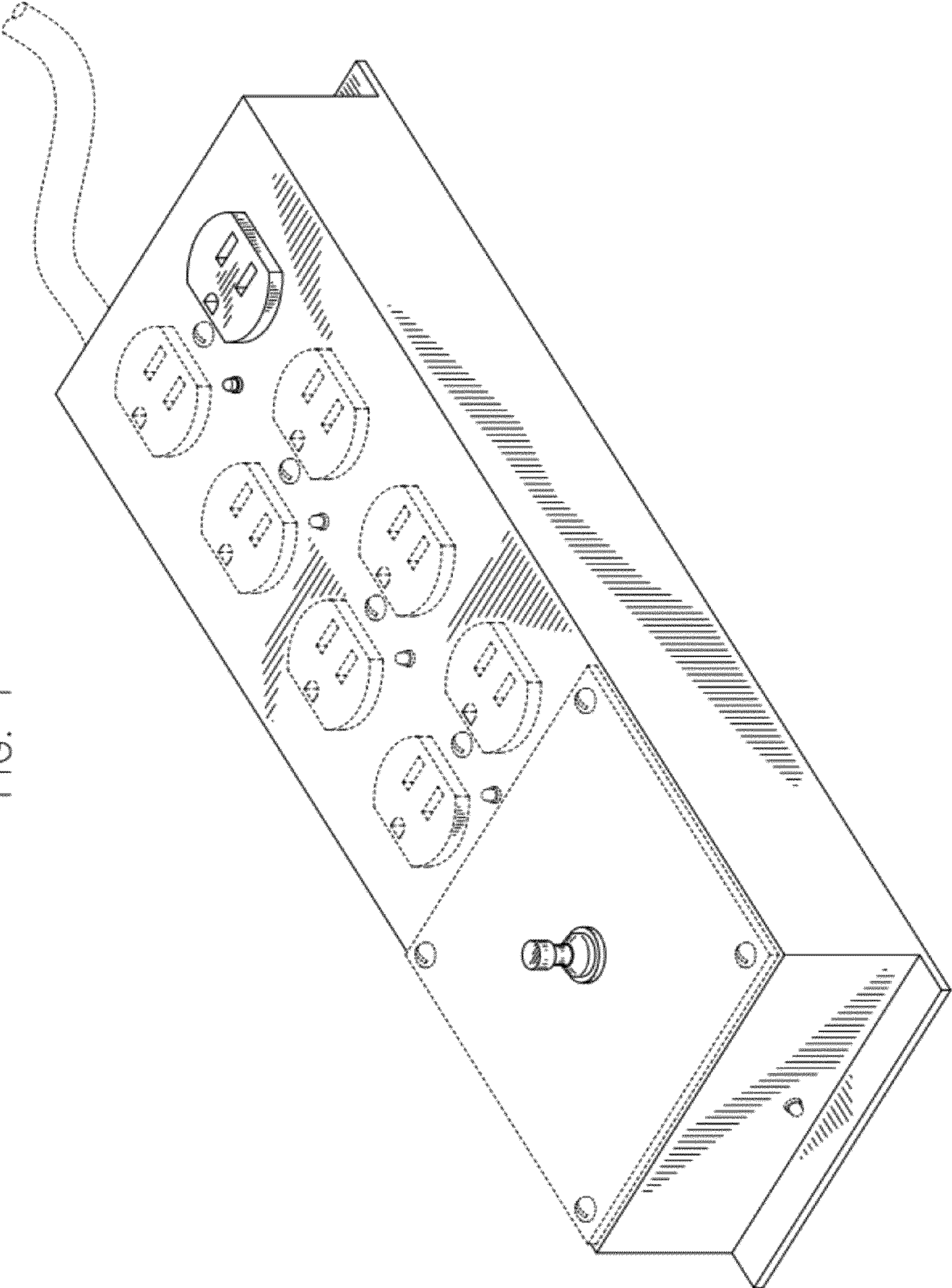


FIGURE 2

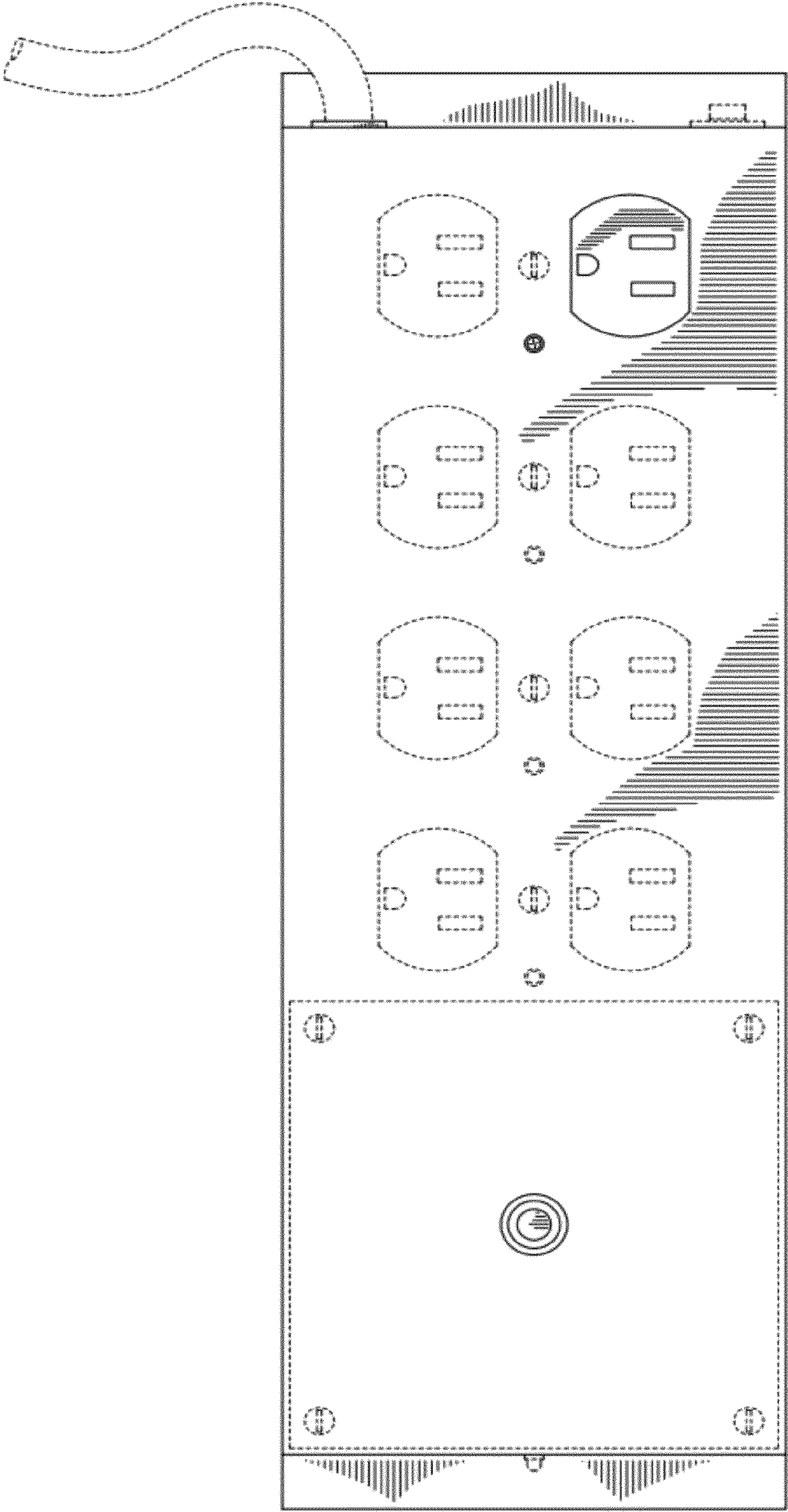


FIG. 3

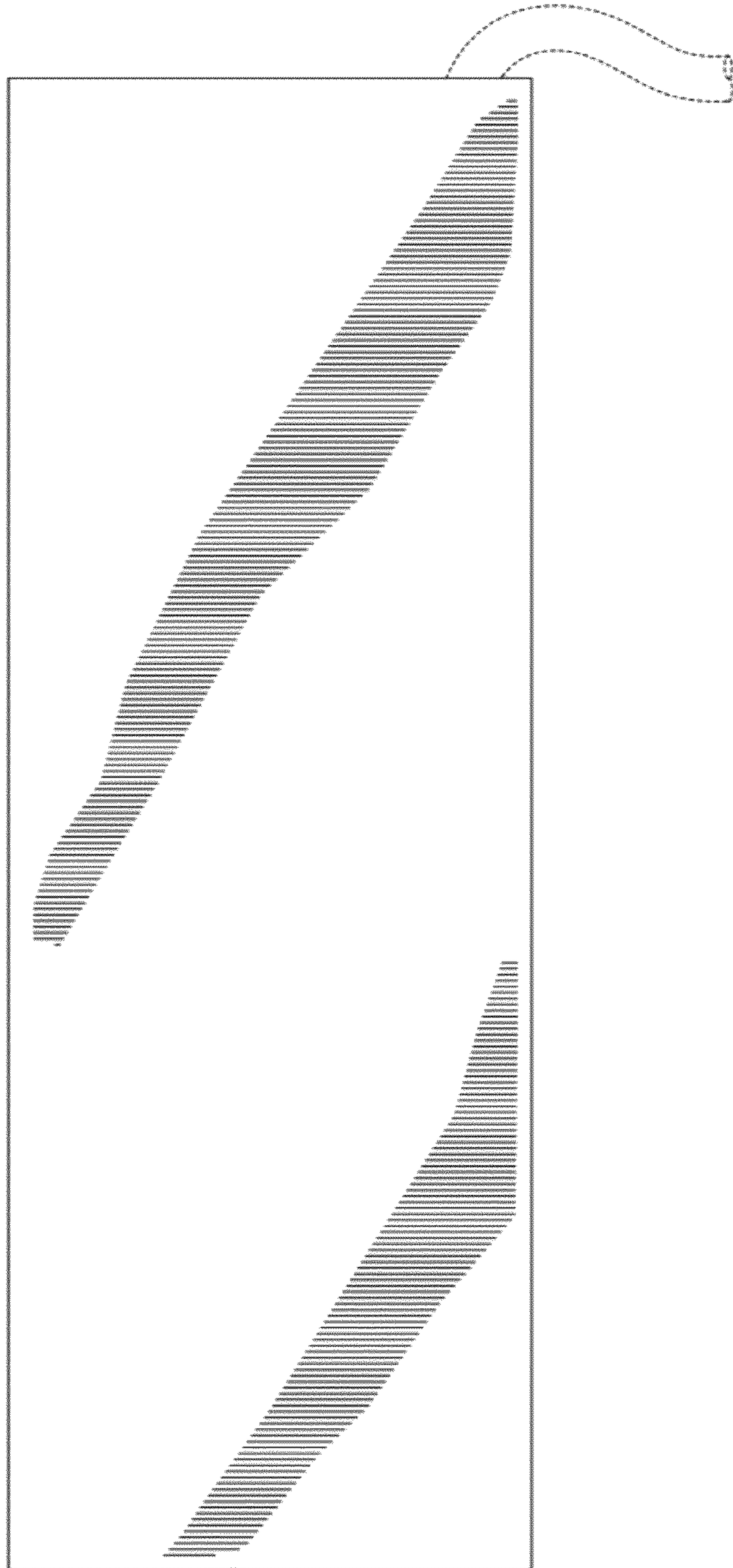


FIG. 4

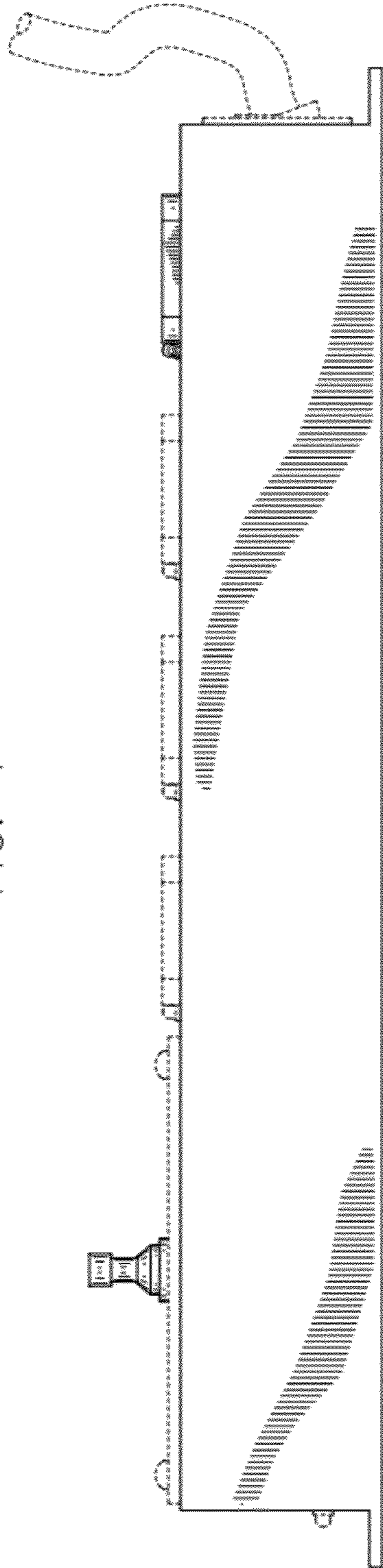


FIG. 5

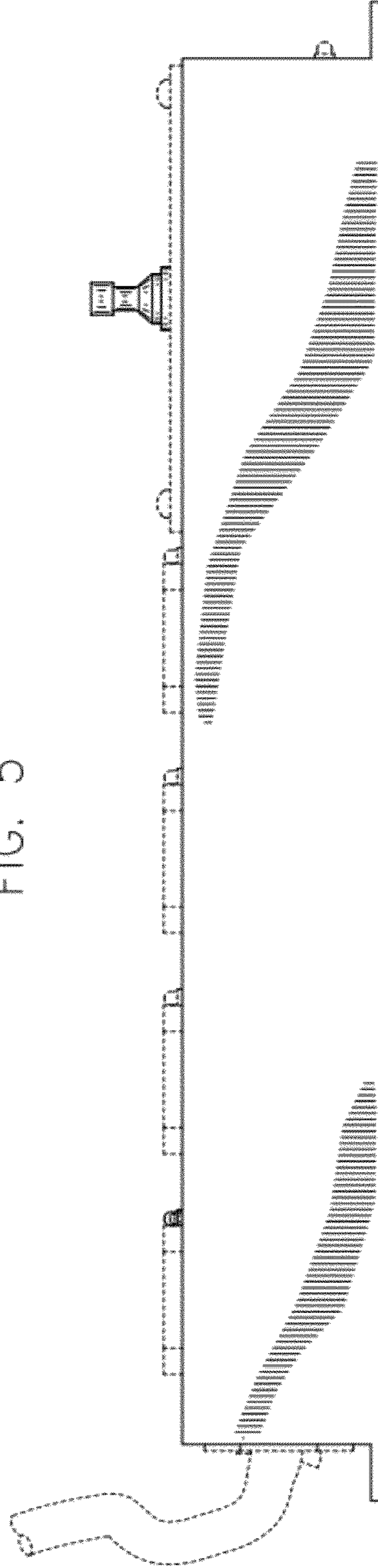


FIG. 7

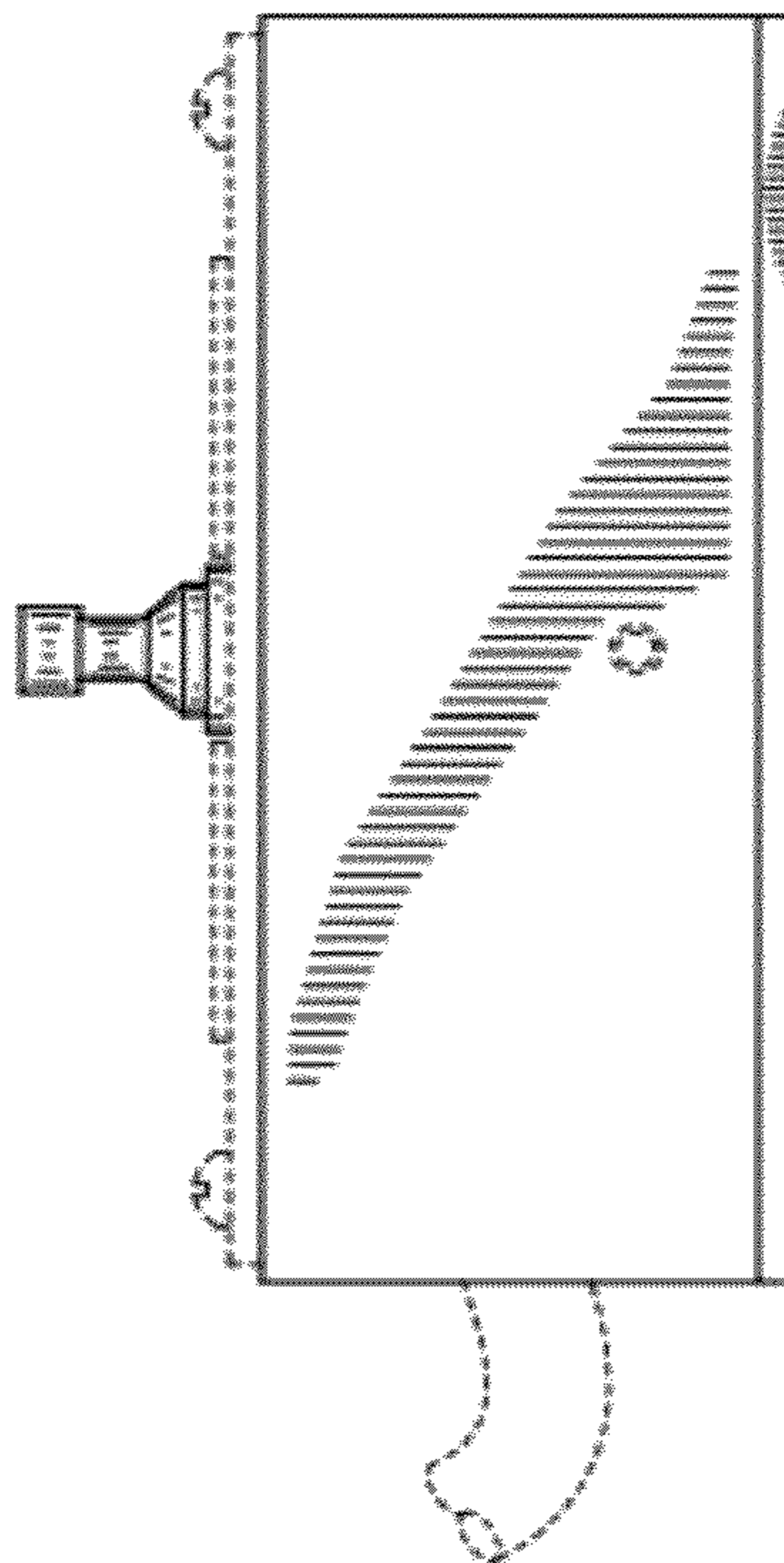


FIG. 6

