



US00D663687S

(12) **United States Design Patent**  
**Liu**

(10) **Patent No.:** **US D663,687 S**  
(45) **Date of Patent:** **\*\* Jul. 17, 2012**

(54) **CHARGER**

(75) Inventor: **Qin-Xiang Liu**, Guang-Dong (CN)

(73) Assignee: **Cheng Uei Precision Industry Co., Ltd.**, New Taipei (TW)

(\*\*) Term: **14 Years**

(21) Appl. No.: **29/408,173**

(22) Filed: **Dec. 7, 2011**

(51) **LOC (9) Cl.** ..... **13-02**

(52) **U.S. Cl.** ..... **D13/108**

(58) **Field of Classification Search** ..... D13/107-110,  
D13/118-119, 138.1, 138.2, 184; D14/251,  
D14/253, 432, 434; 320/107-115  
See application file for complete search history.

(56) **References Cited**

**U.S. PATENT DOCUMENTS**

D400,855 S *	11/1998	Lee	.....	D13/138.1
D452,842 S *	1/2002	Kajiwara et al.	.....	D13/110
D478,310 S *	8/2003	Andre et al.	.....	D13/110
D478,546 S *	8/2003	Andre et al.	.....	D13/110
D503,679 S *	4/2005	Andre et al.	.....	D13/110
D546,283 S *	7/2007	Cho	.....	D13/110
D573,946 S *	7/2008	Ledbetter et al.	.....	D13/110
D595,224 S *	6/2009	Seil et al.	.....	D13/110

D623,136 S *	9/2010	Andre et al.	.....	D13/138.1
D638,357 S *	5/2011	Sasada et al.	.....	D13/110
D647,476 S *	10/2011	Ciou	.....	D13/110
D650,330 S *	12/2011	Dong	.....	D13/108
D652,380 S *	1/2012	Chen et al.	.....	D13/110
D652,381 S *	1/2012	Tien	.....	D13/110
D653,209 S *	1/2012	Lee	.....	D13/110
D655,244 S *	3/2012	Au	.....	D13/108

\* cited by examiner

*Primary Examiner* — Rosemary K Tarcza

(74) *Attorney, Agent, or Firm* — Cheng-Ju Chiang

(57) **CLAIM**

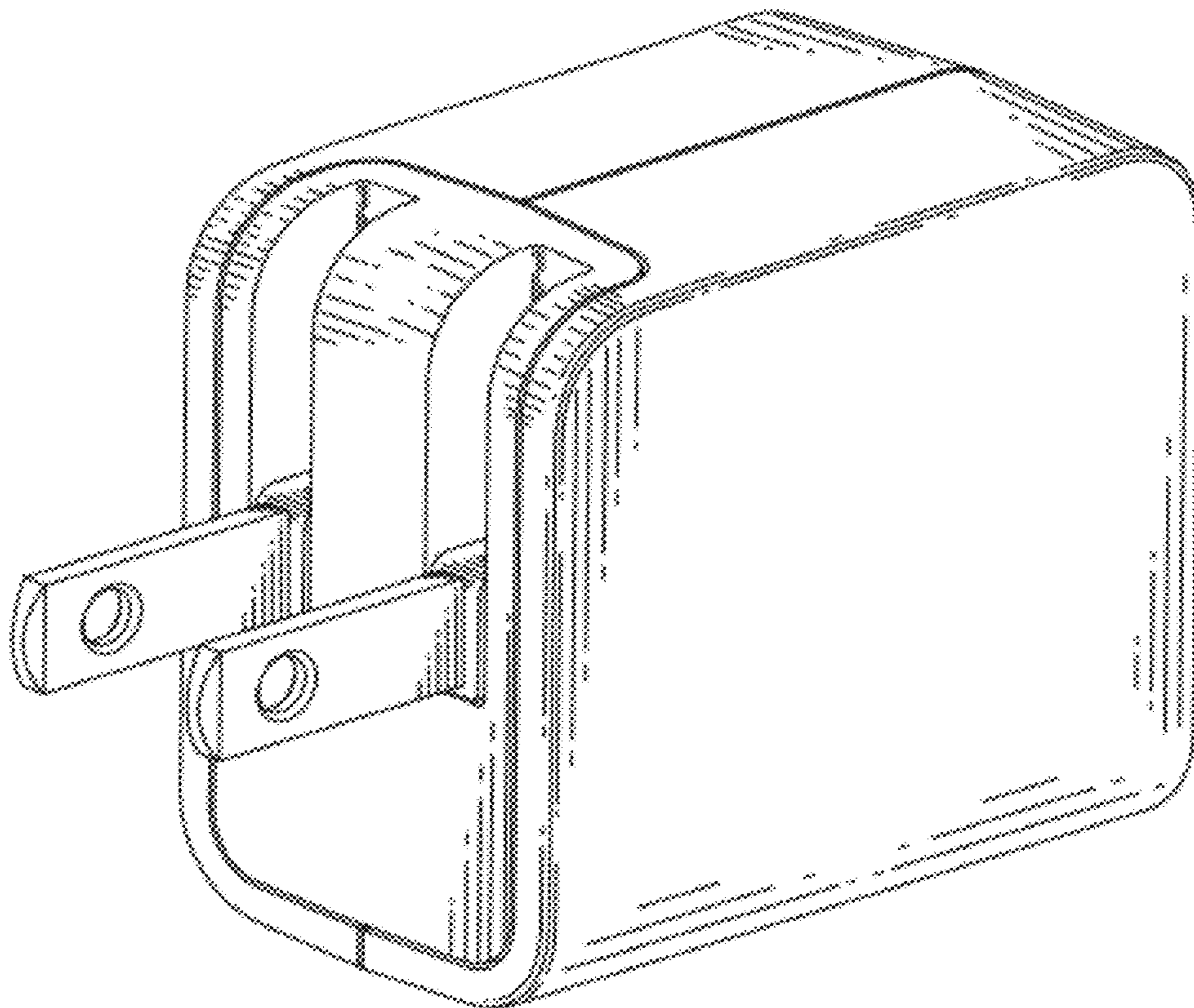
The ornamental design for a charger, as shown and described.

**DESCRIPTION**

FIG. 1 is a perspective view of a charger showing my new design;  
FIG. 2 is a front elevational view thereof;  
FIG. 3 is a rear elevational view thereof;  
FIG. 4 is a left side elevational view thereof;  
FIG. 5 is a right side elevational view thereof;  
FIG. 6 is a top plan view thereof;  
FIG. 7 is a bottom plan view thereof; and,  
FIG. 8 is another perspective view of the charger showing my new design in another use status.

The broken line portion of the figure drawings is included to show unclaimed subject matter only and forms no part of the claimed design.

**1 Claim, 8 Drawing Sheets**



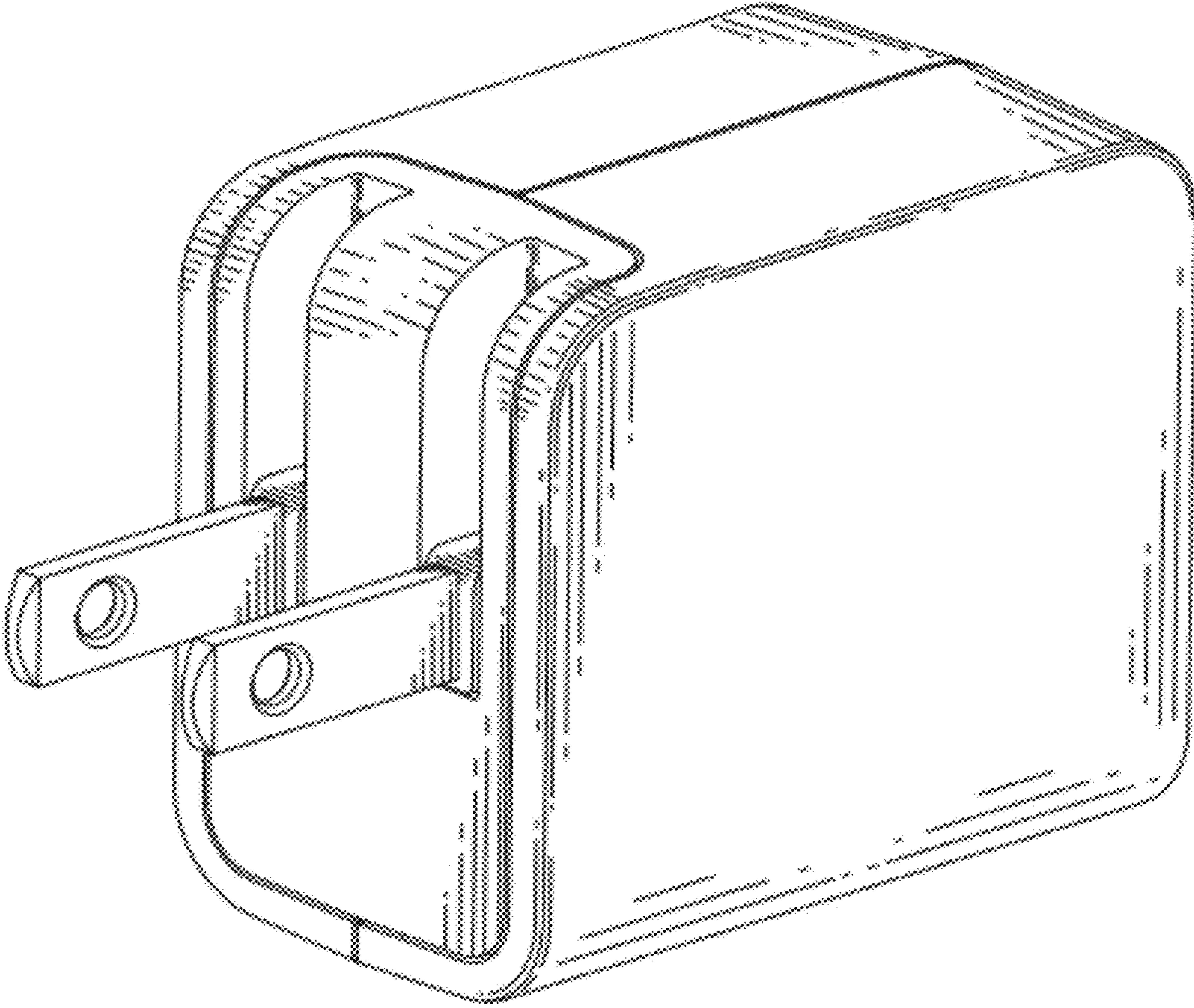


FIG. 1

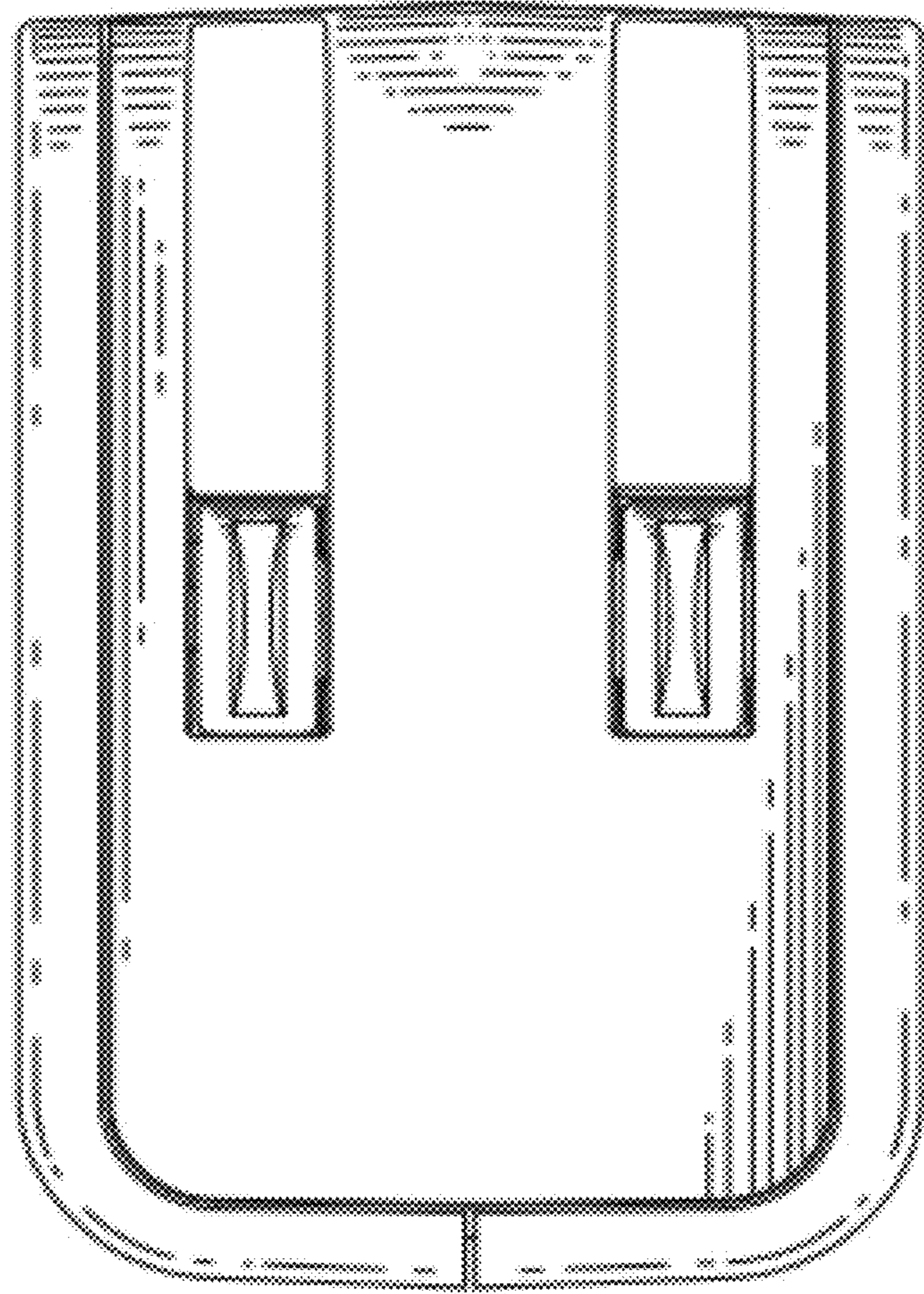


FIG. 2

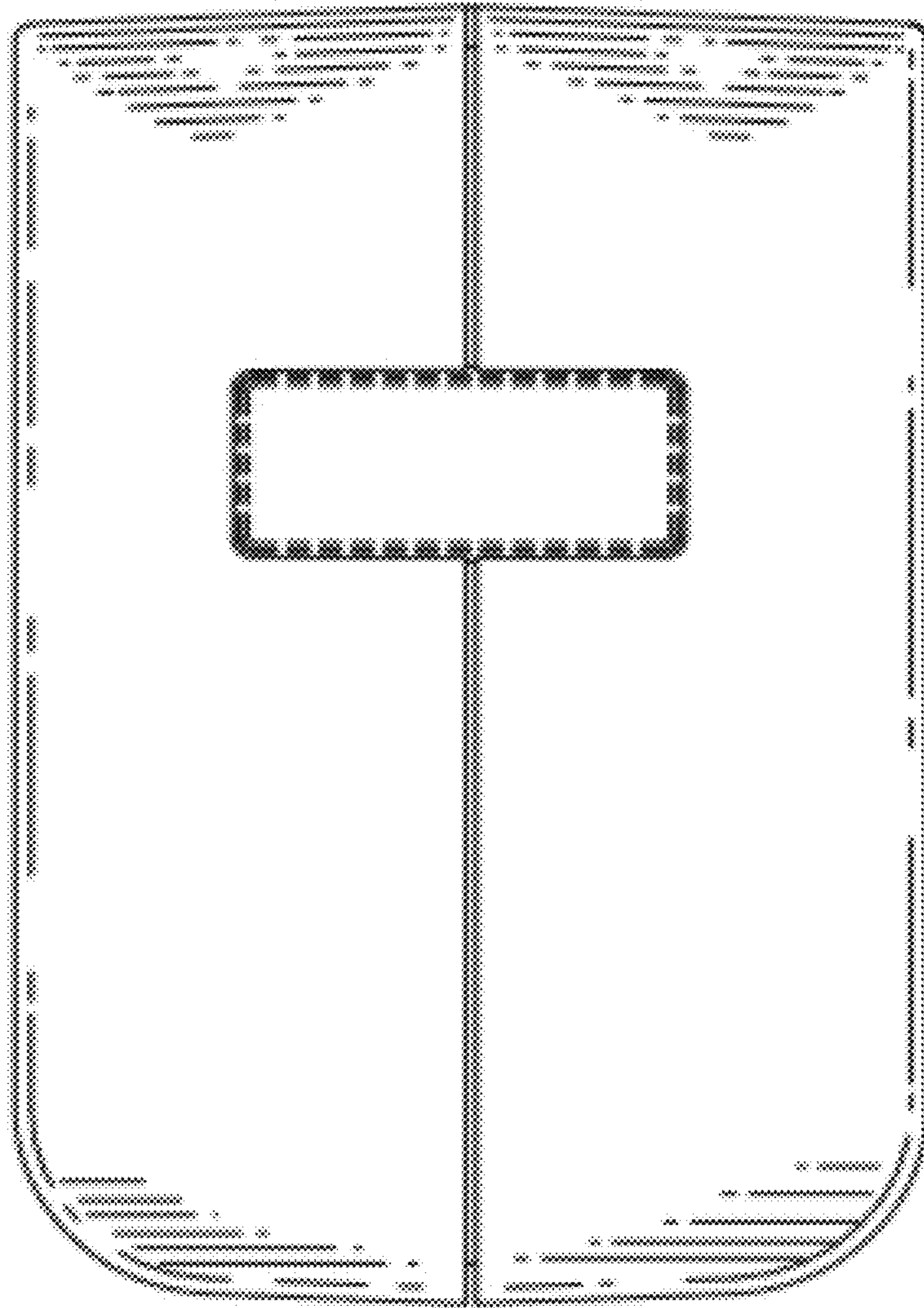


FIG. 3

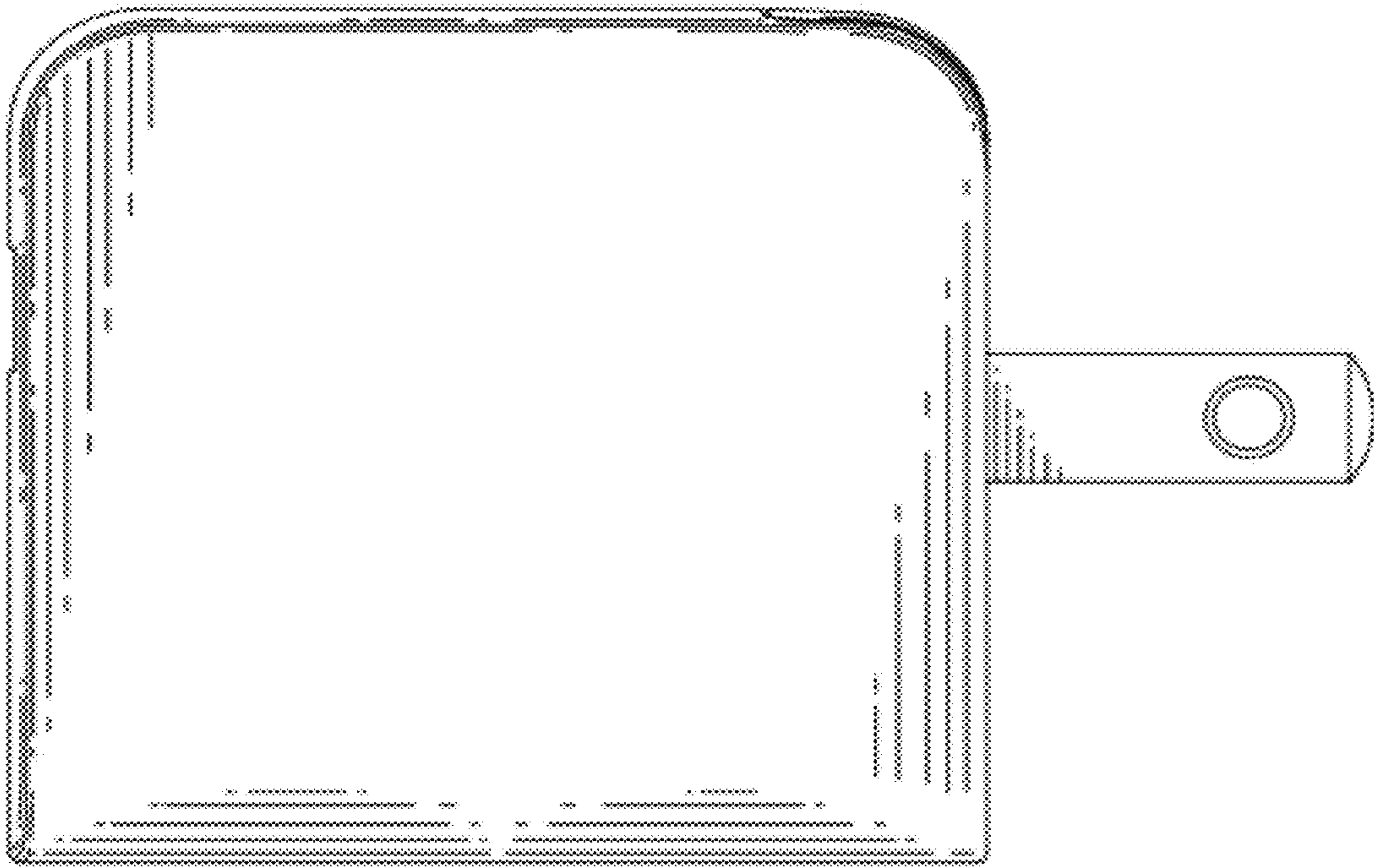


FIG. 4

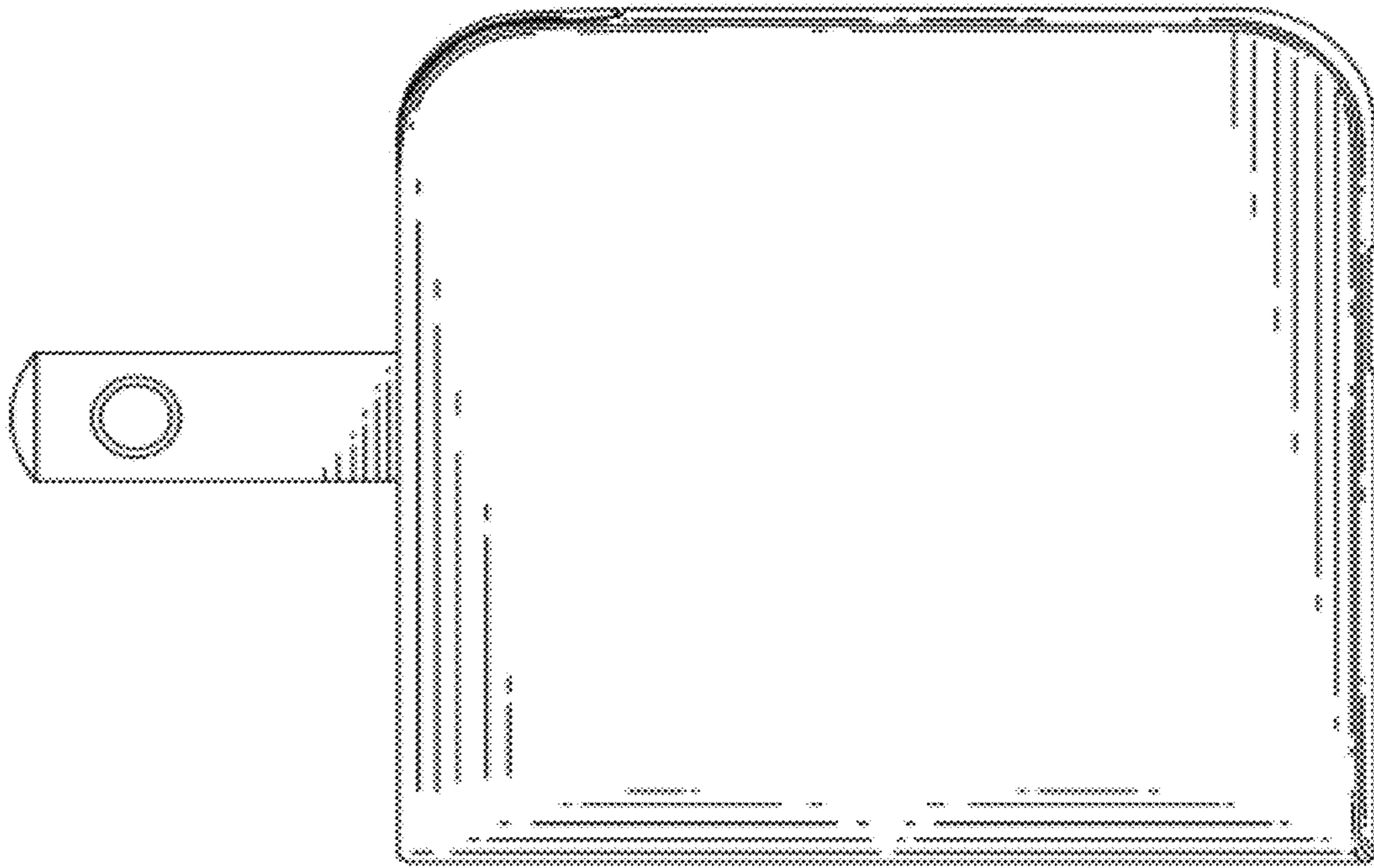


FIG. 5

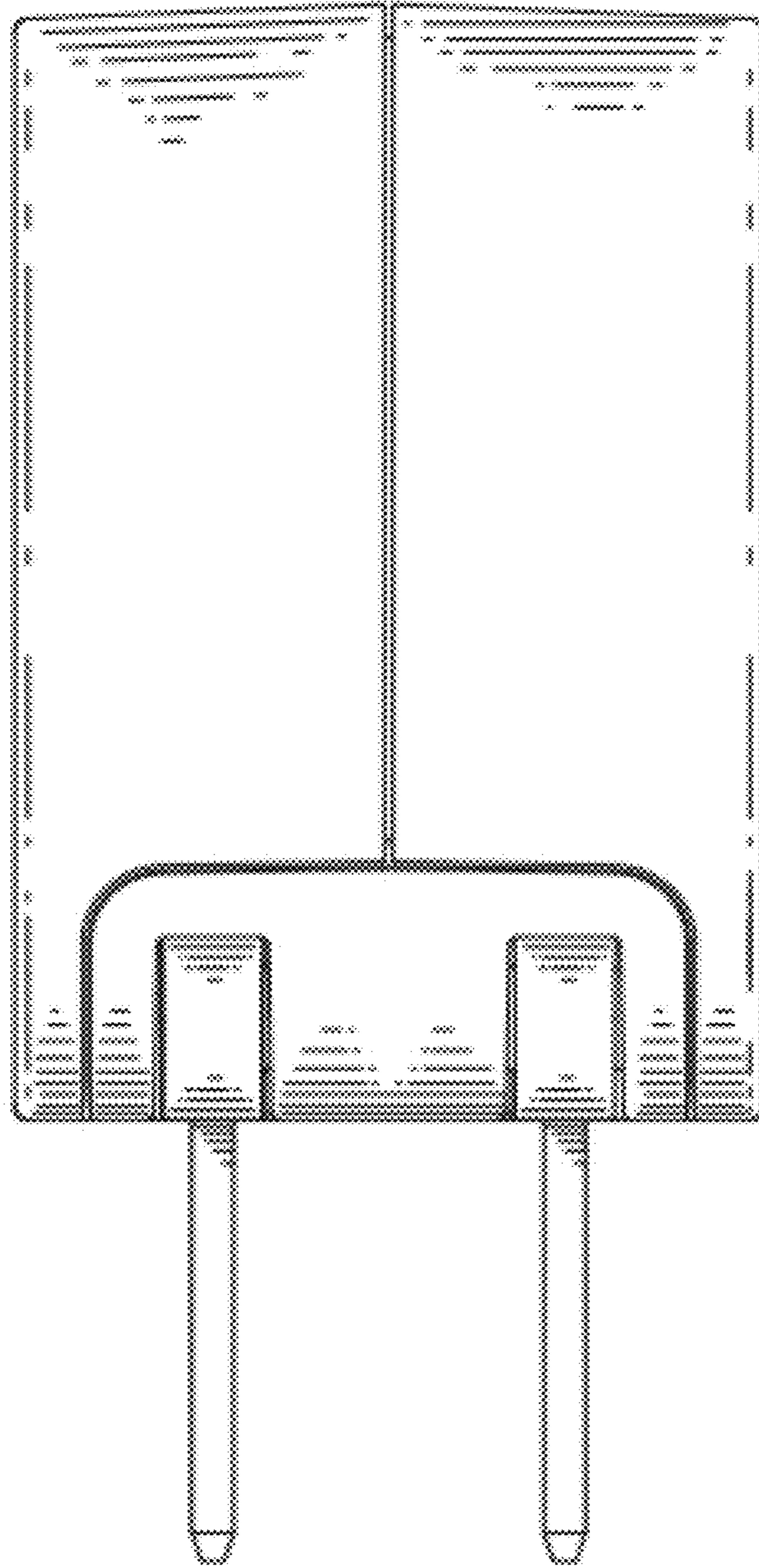


FIG. 6

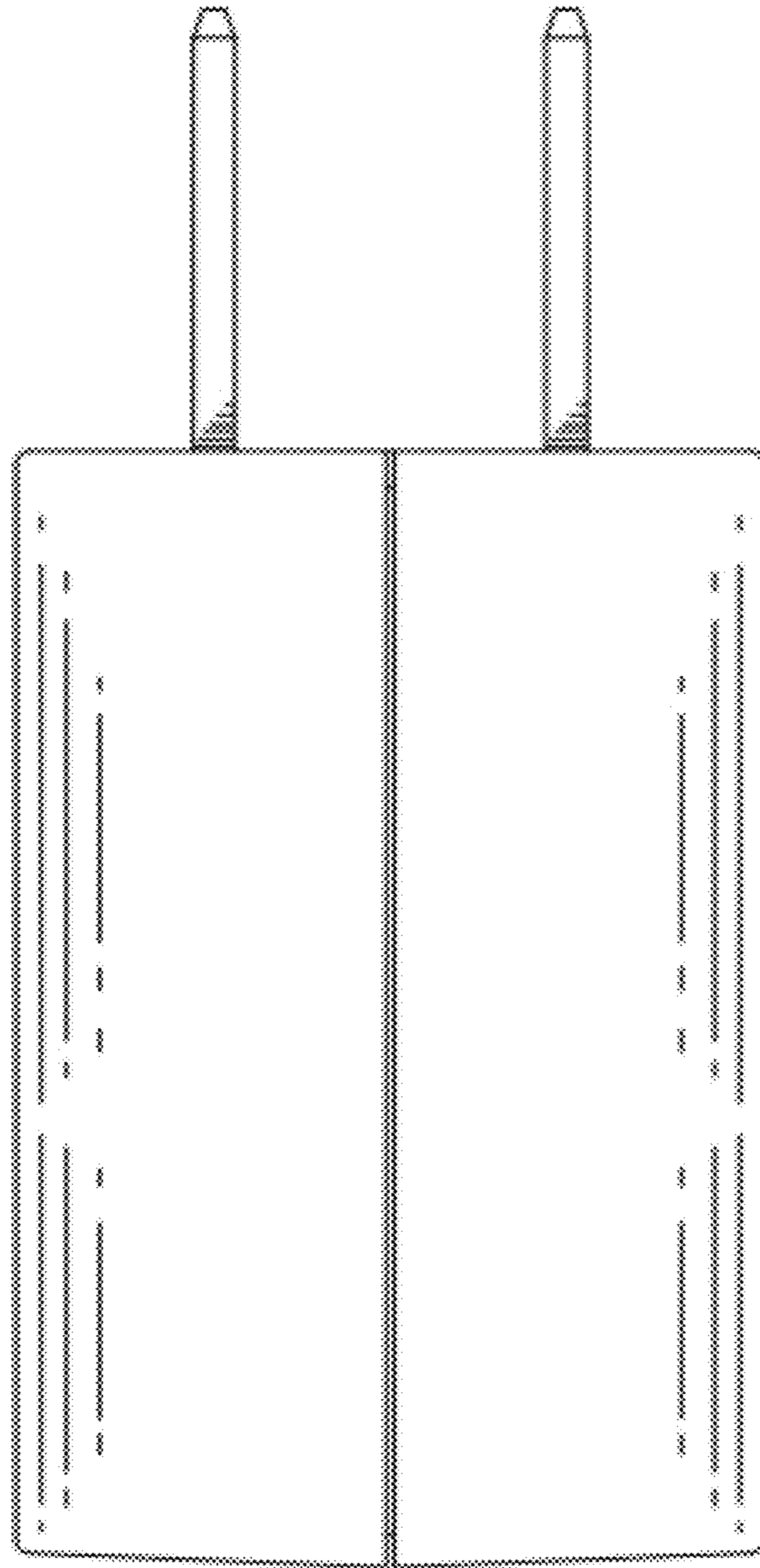


FIG. 7



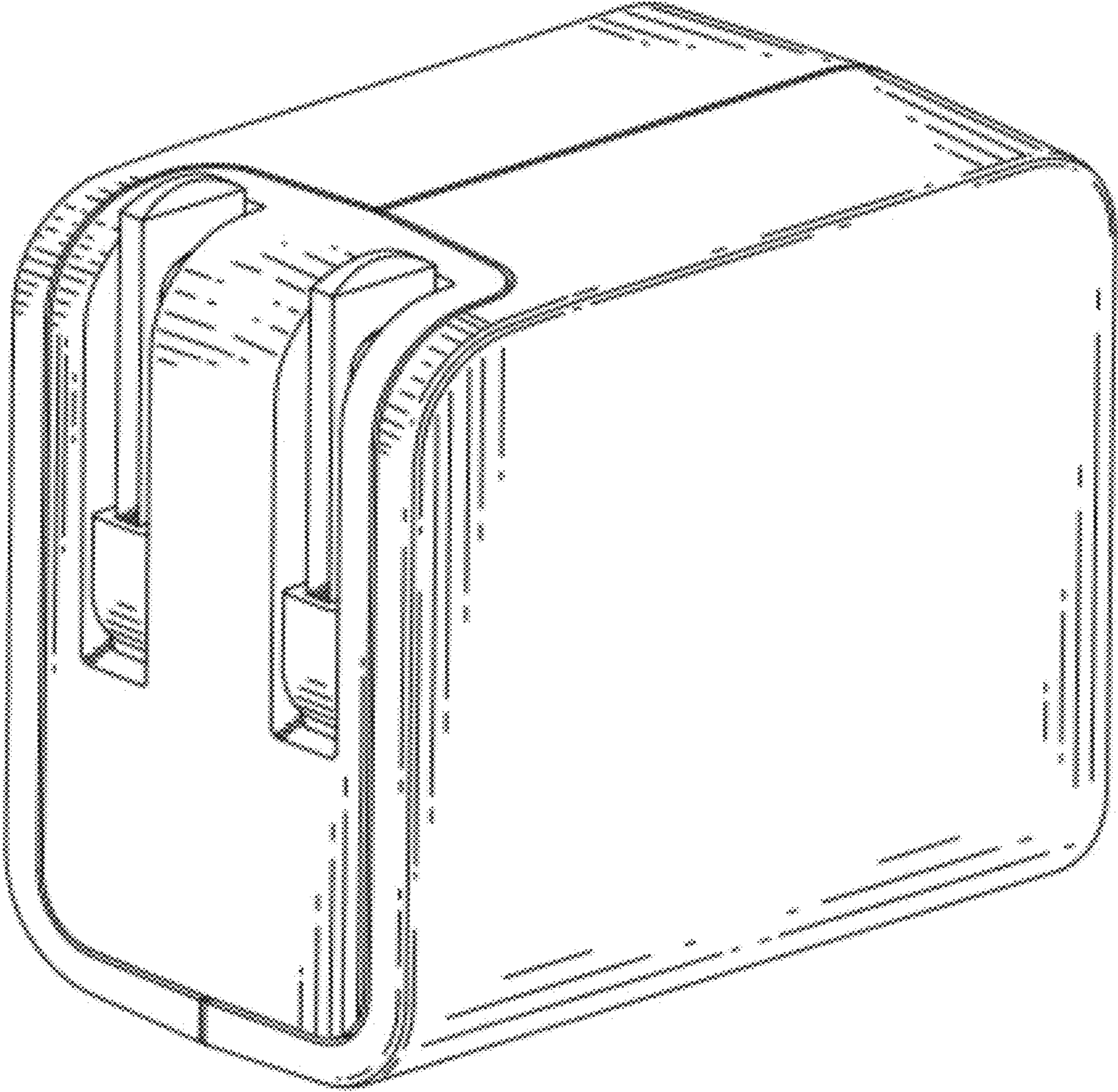


FIG. 8