

US00D663686S

(12) **United States Design Patent**
Yang

(10) **Patent No.:** **US D663,686 S**

(45) **Date of Patent:** **** Jul. 17, 2012**

(54) **PORTABLE POWER CHARGER WITH A HOLDER**

(75) Inventor: **Fu-I Yang**, Taoyuan County (TW)

(73) Assignee: **Samya Technology Co., Ltd.**, Taoyuan County (TW)

(**) Term: **14 Years**

(21) Appl. No.: **29/406,664**

(22) Filed: **Nov. 17, 2011**

(51) **LOC (9) Cl.** **13-02**

(52) **U.S. Cl.** **D13/108**

(58) **Field of Classification Search** D13/107–110,
D13/118–119, 184; D14/251, 253, 432,
D14/434; 320/107–115

See application file for complete search history.

(56) **References Cited**

U.S. PATENT DOCUMENTS

D510,091 S *	9/2005	Mori et al.	D14/434
D529,495 S *	10/2006	Kent et al.	D14/356
D586,348 S *	2/2009	Leung et al.	D14/434
D623,132 S *	9/2010	Yano	D13/108
D633,503 S *	3/2011	Bo et al.	D14/434
D642,121 S *	7/2011	Lee et al.	D13/108
D647,525 S *	10/2011	Seto	D14/434

D648,325 S *	11/2011	Akana et al.	D14/217
D648,707 S *	11/2011	Akana et al.	D14/217
D654,078 S *	2/2012	Zhou et al.	D14/434

* cited by examiner

Primary Examiner — Rosemary K Tarcza

(74) *Attorney, Agent, or Firm* — Rosenberg, Klein & Lee

(57) **CLAIM**

The ornamental design for a portable power charger with a holder, as shown and described.

DESCRIPTION

FIG. 1 is a perspective view of a portable power charger with a holder showing my new design;

FIG. 2 is a front elevational view thereof;

FIG. 3 is a rear elevational view thereof;

FIG. 4 is a left side elevational view thereof; the right side elevational view being a mirror image thereof;

FIG. 5 is a top plan view thereof;

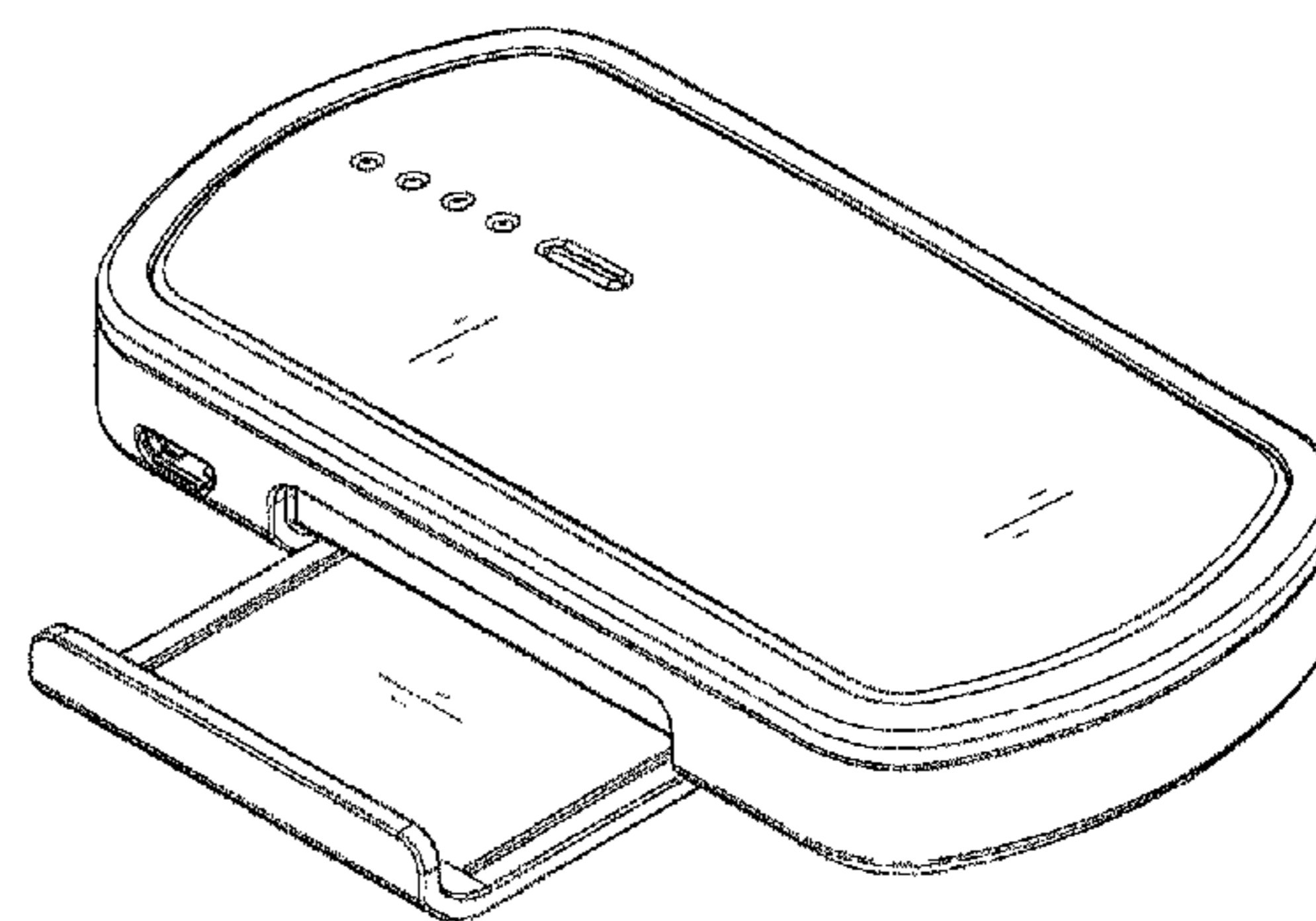
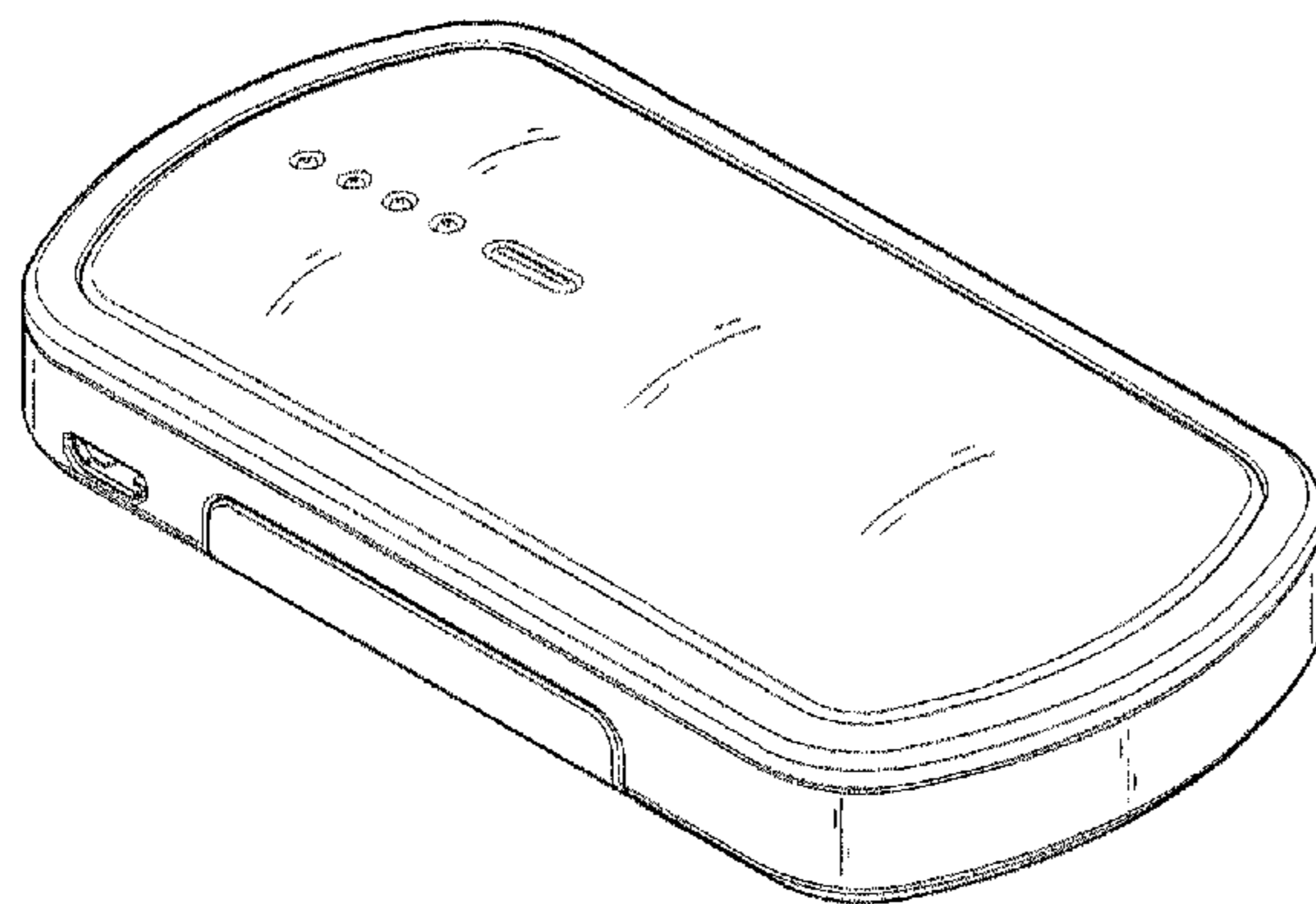
FIG. 6 is a bottom plan view thereof;

FIG. 7 is a perspective view thereof with the holder in open position; and,

FIG. 8 is an application example thereof.

The broken lines shown in the drawings are included for the purpose of illustrating environmental structure and form no part of the claimed design.

1 Claim, 4 Drawing Sheets



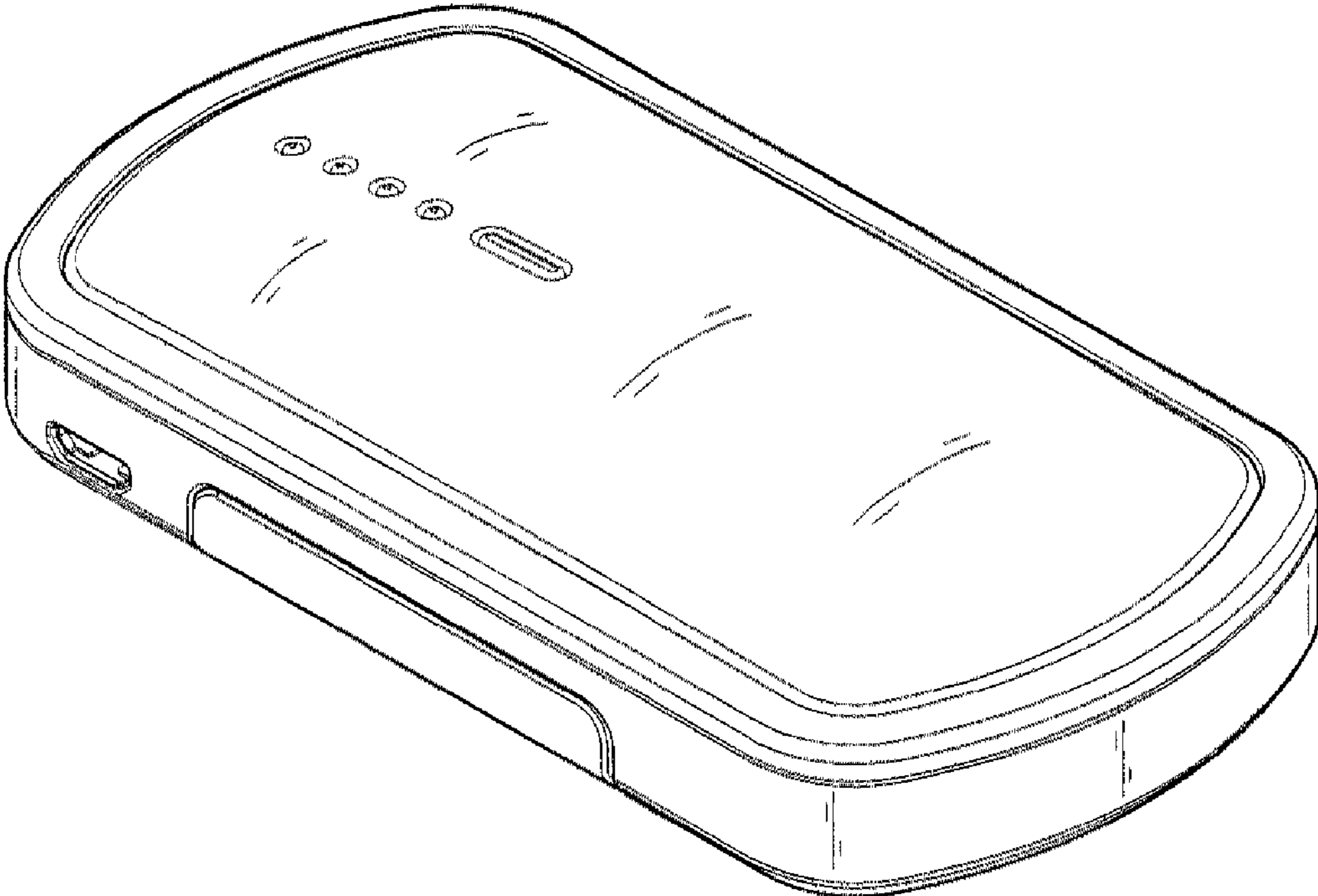


FIG.1

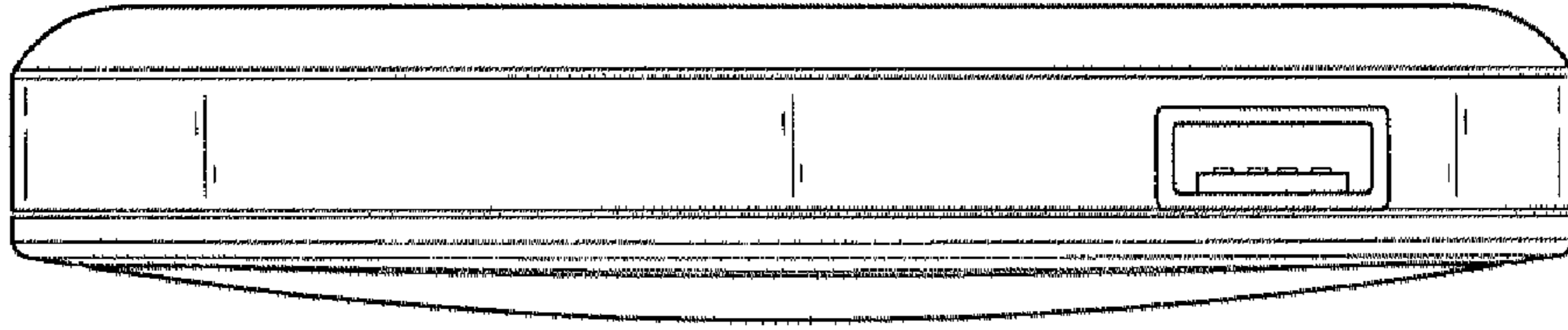


FIG. 2

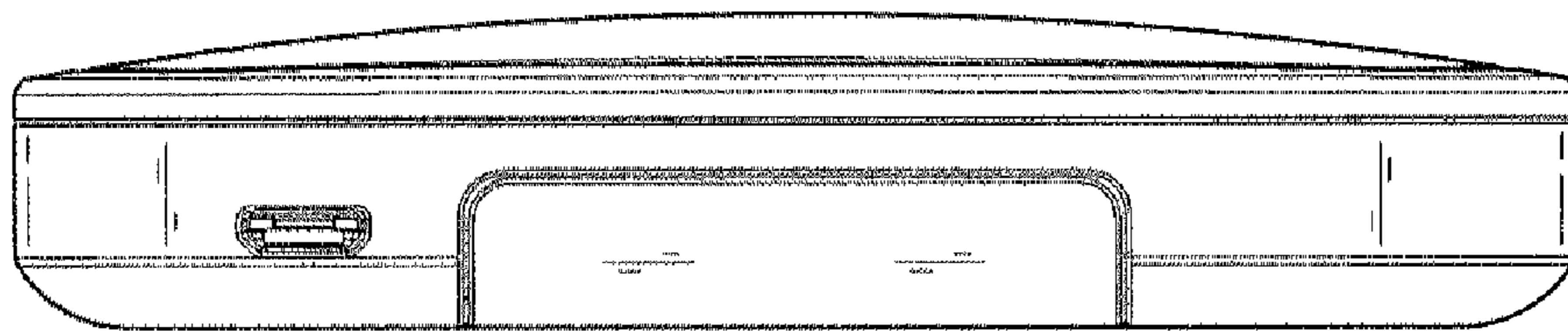


FIG. 3

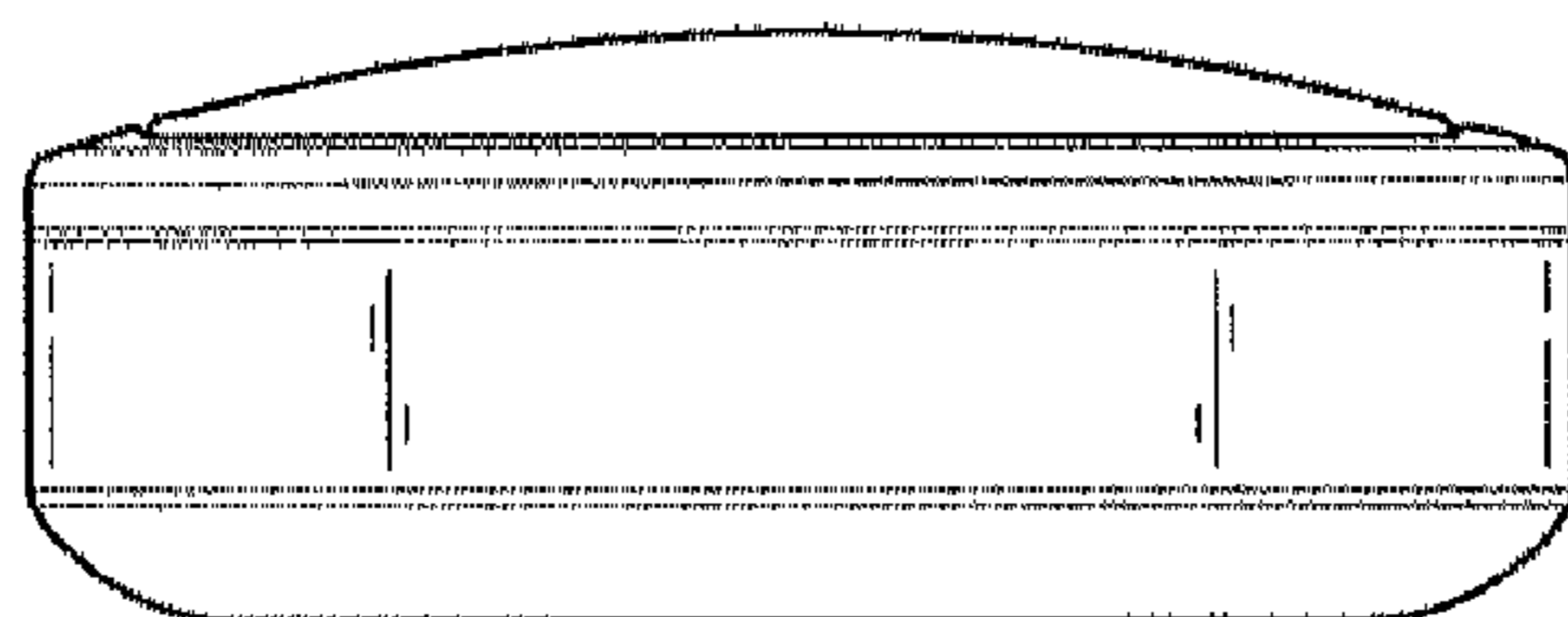


FIG. 4

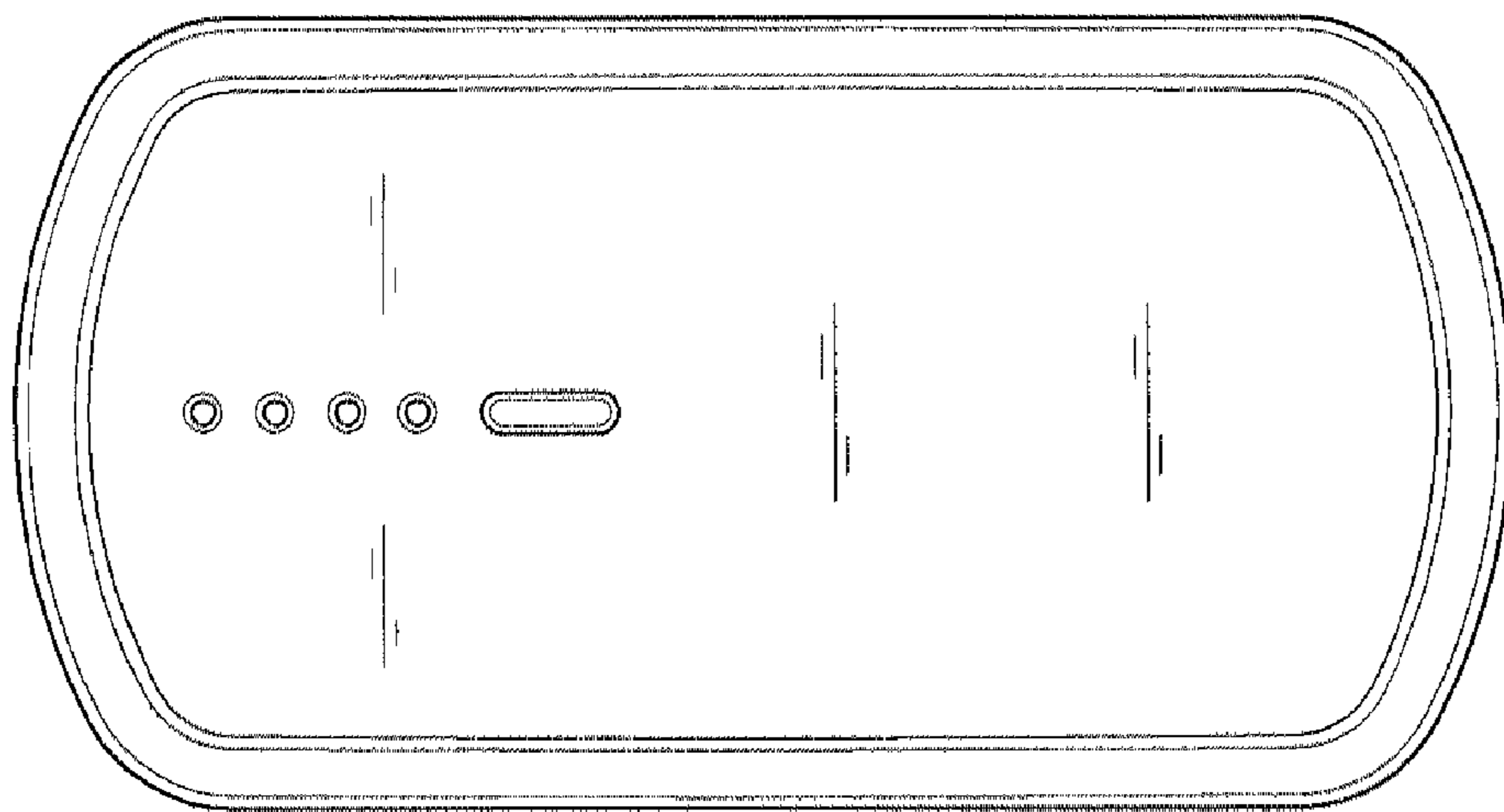


FIG.5

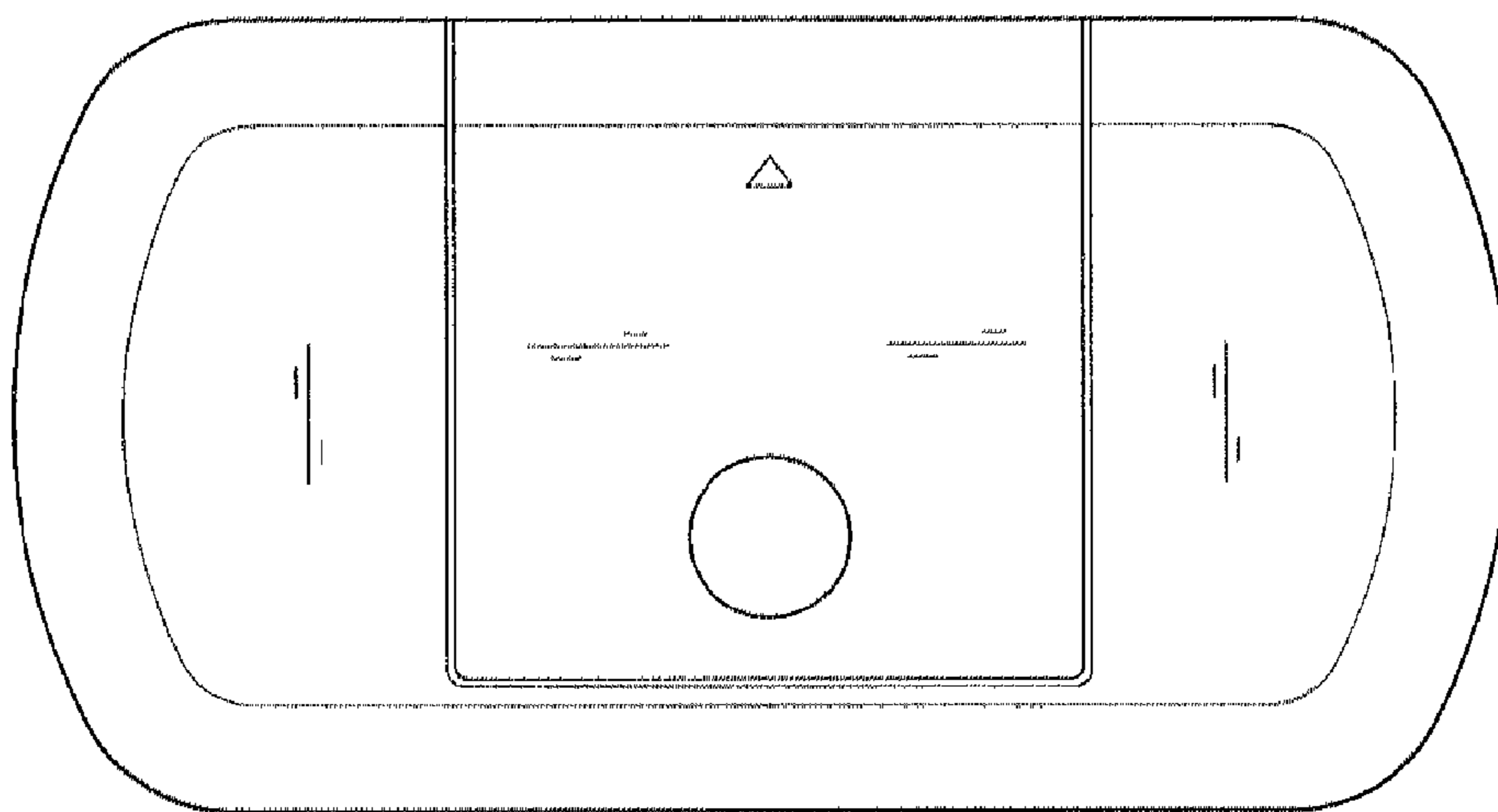


FIG.6

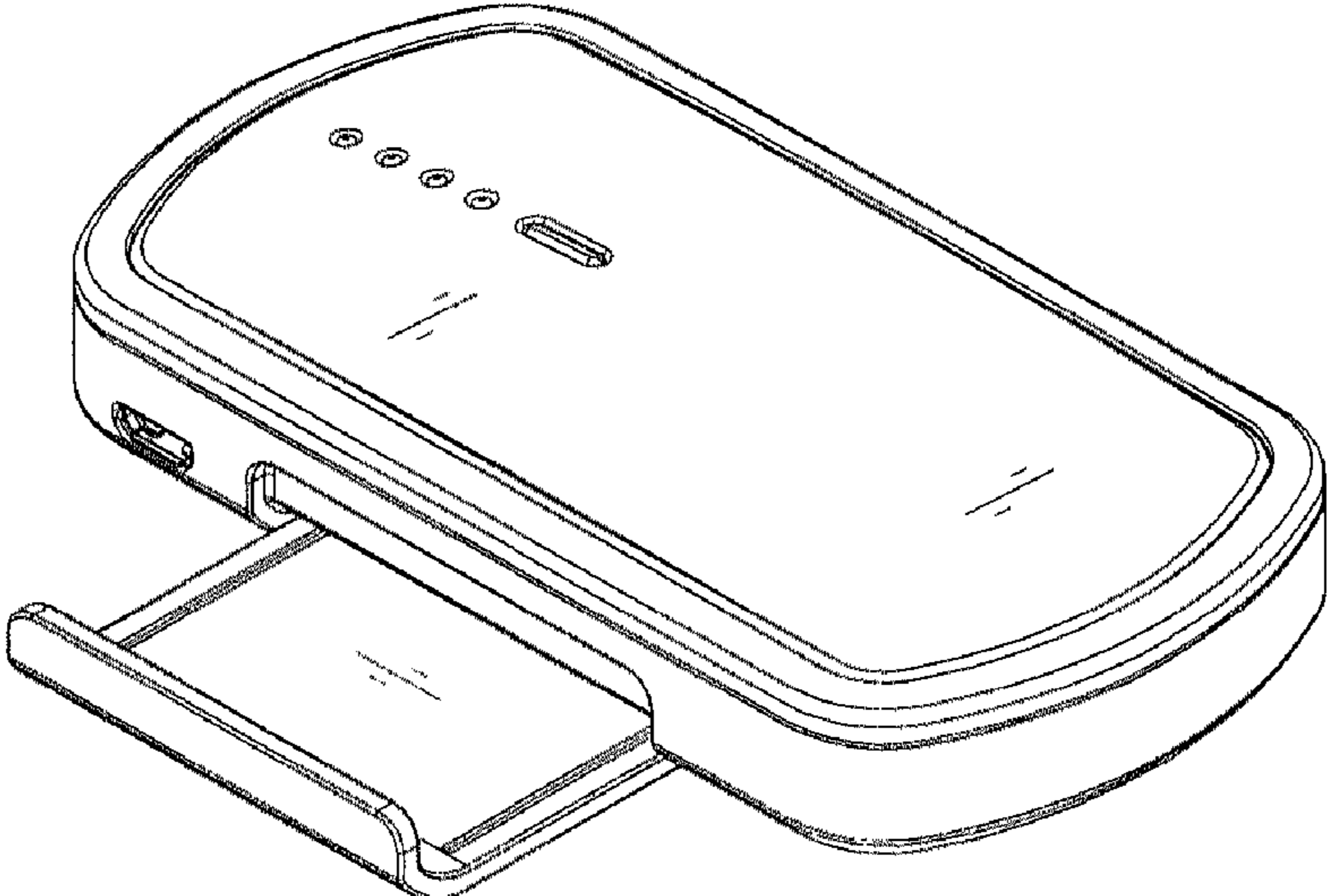


FIG.7

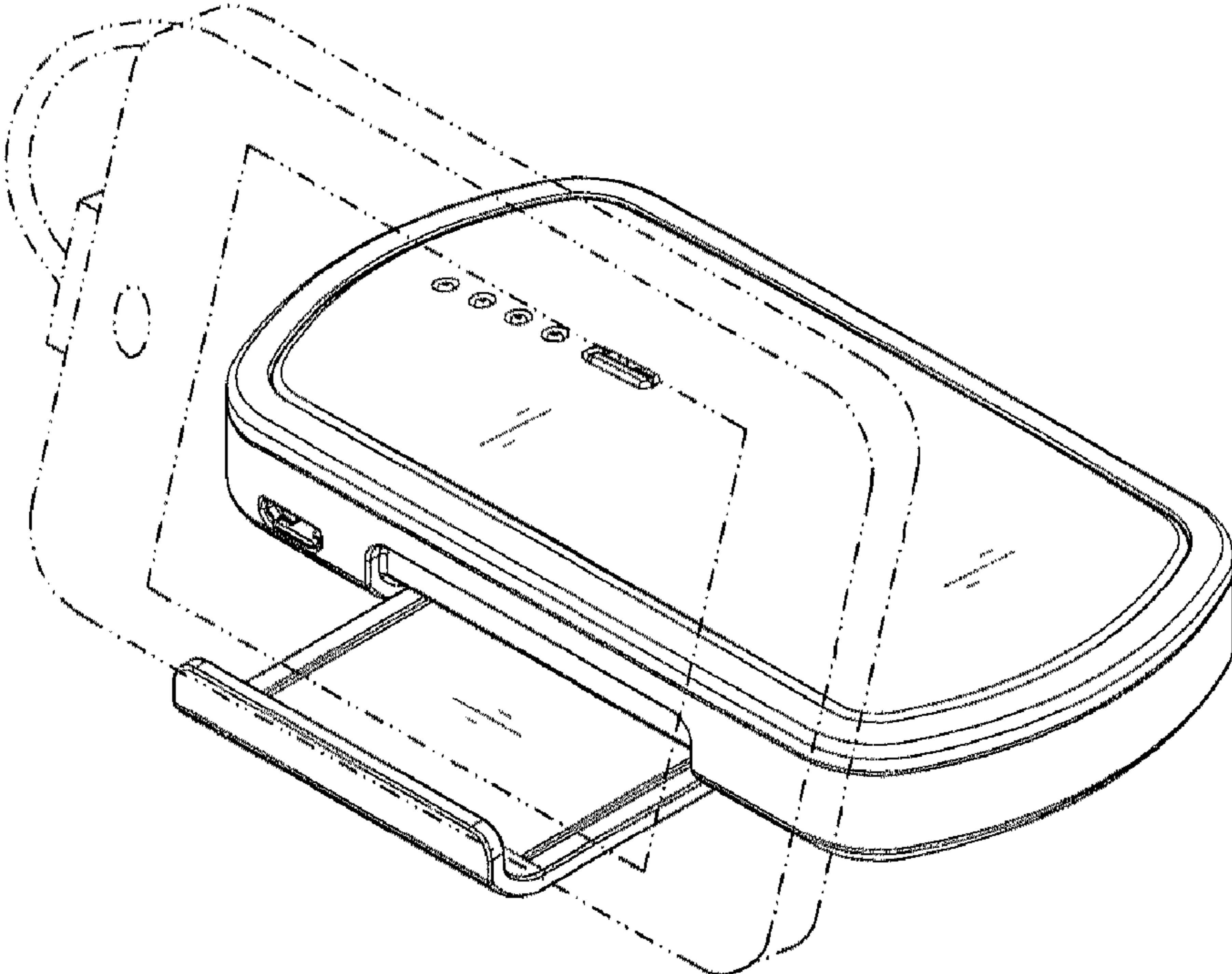


FIG.8