



US00D663680S

(12) **United States Design Patent**
Westaway

(10) **Patent No.:** **US D663,680 S**
(45) **Date of Patent:** **** Jul. 17, 2012**

(54) **TIRE TREAD**

Primary Examiner — George D Kirschbaum

(75) Inventor: **Terry A. Westaway**, Conesville, IA (US)

(73) Assignee: **Bridgestone Bandag, LLC**, Muscatine, IA (US)

(**) Term: **14 Years**

(21) Appl. No.: **29/388,666**

(22) Filed: **Mar. 31, 2011**

(51) **LOC (9) Cl.** **12-16**

(52) **U.S. Cl.** **D12/587**

(58) **Field of Classification Search** D12/568–603;
152/209.1–209.28

See application file for complete search history.

(56) **References Cited**

U.S. PATENT DOCUMENTS

D308,502 S * 6/1990 Loeffler et al. D12/587

OTHER PUBLICATIONS

Bandag BTL SA2 Information Sheet, undated.

* cited by examiner

(57) **CLAIM**

The ornamental design for a tire tread, as shown and described.

DESCRIPTION

FIG. 1 is a side perspective view of a tire tread showing my new design, it being understood that the tread pattern is repeated throughout the circumference of the tire tread, the opposite side being the same as that shown;

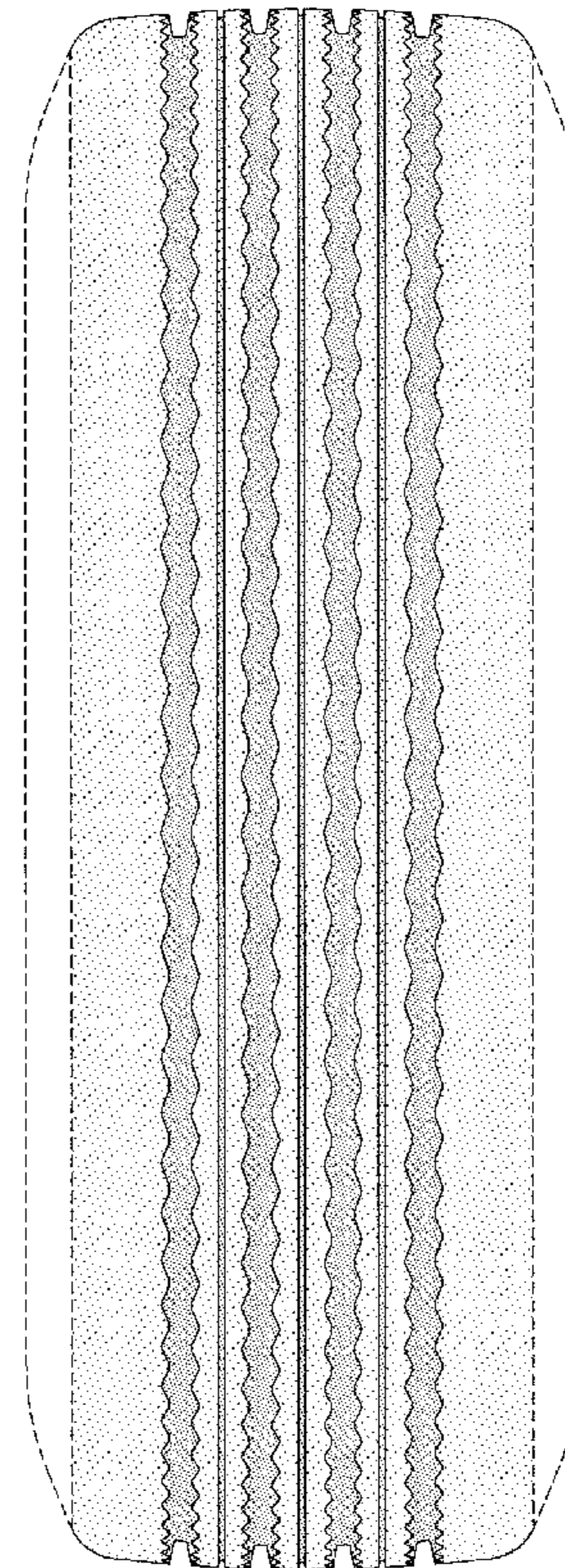
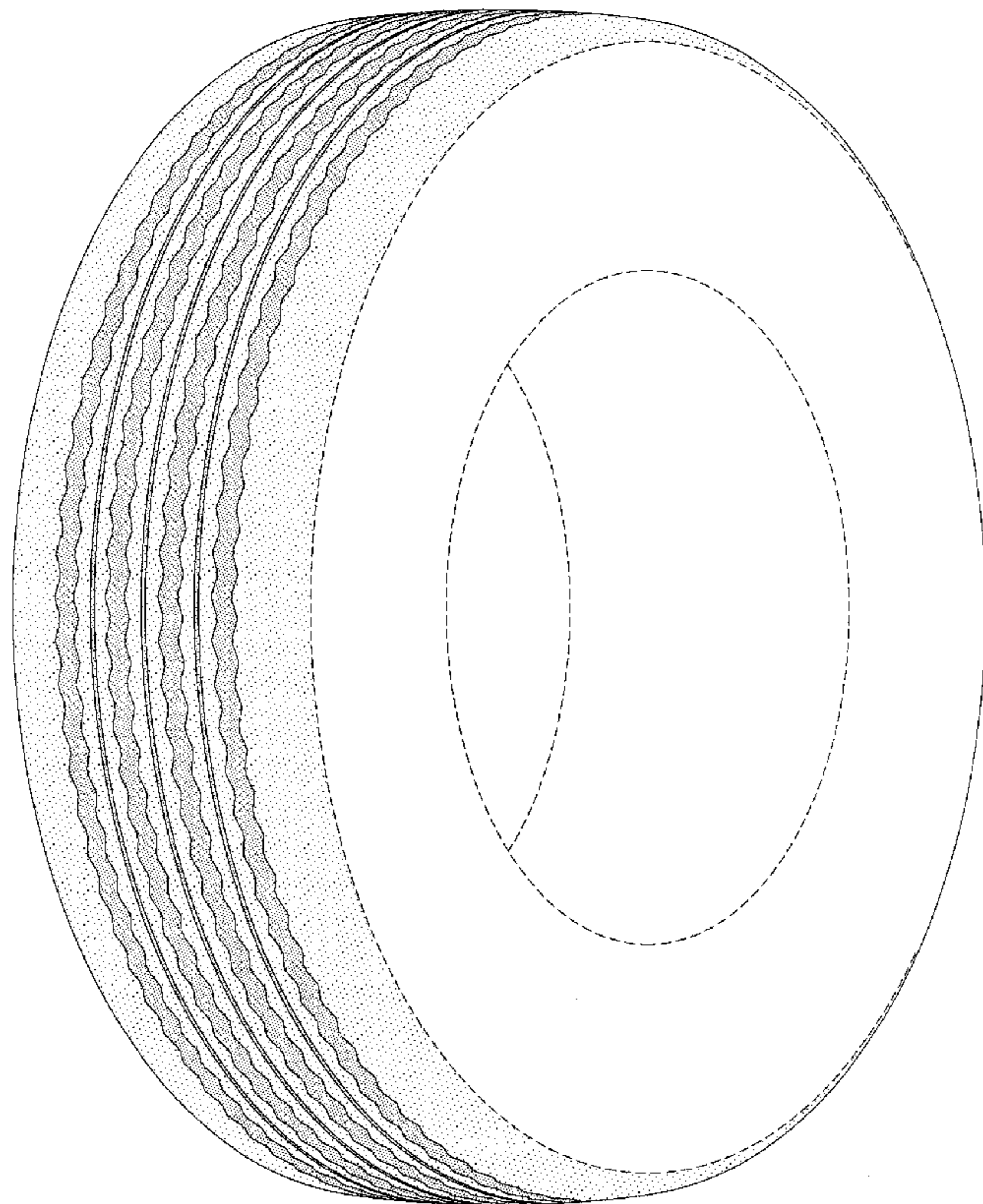
FIG. 2 is a front elevational view thereof, the opposite side being identical thereto;

FIG. 3 is a side elevational view of the right side thereof, the opposite side being identical thereto; and,

FIG. 4 is an enlarged fragmentary front elevational view thereof.

The broken lines defining the sidewall, inner bead, and the peripheral boundary between the claimed tire tread and the sidewall depict environmental subject matter that forms no part of the claimed design.

1 Claim, 4 Drawing Sheets



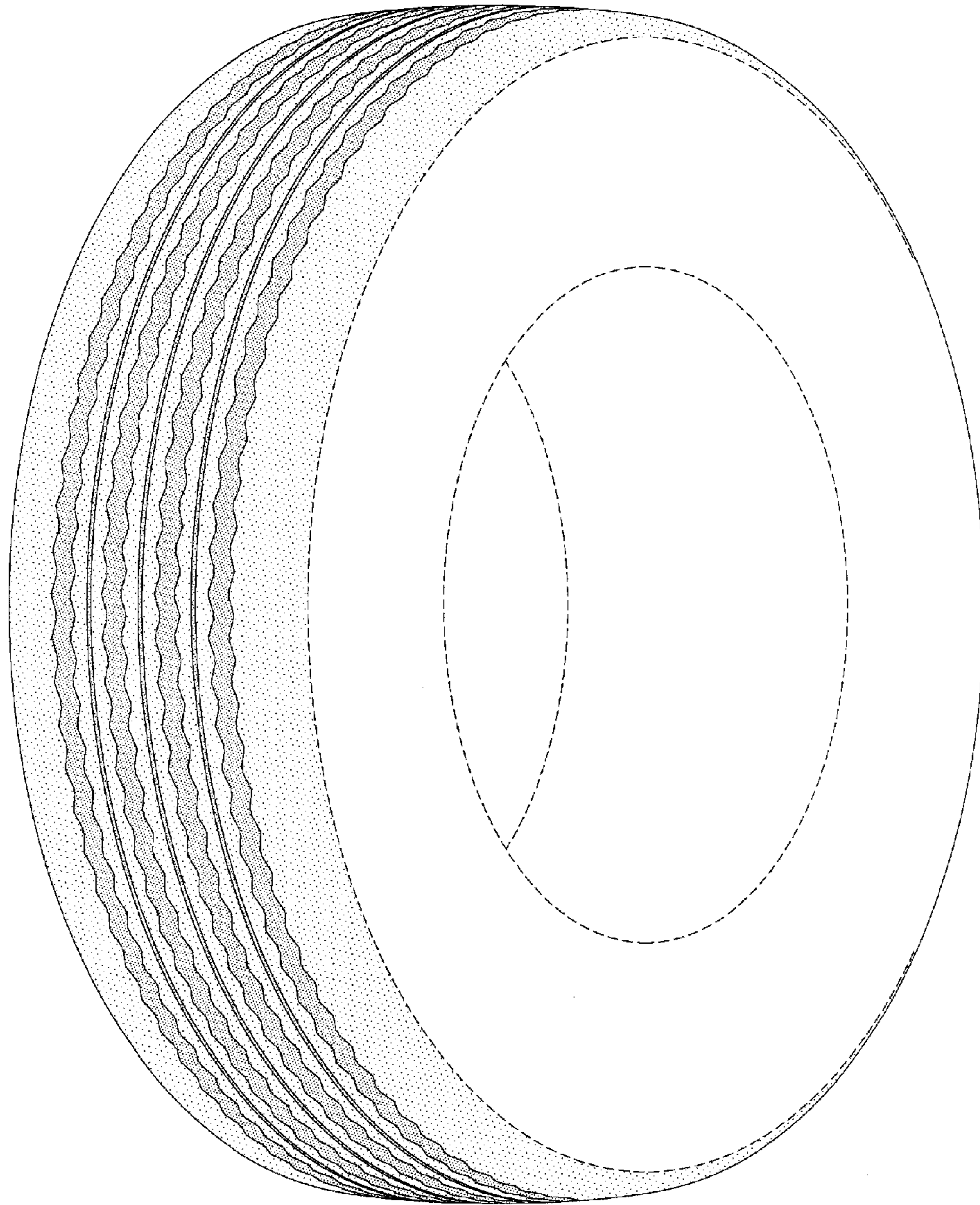


FIG-1

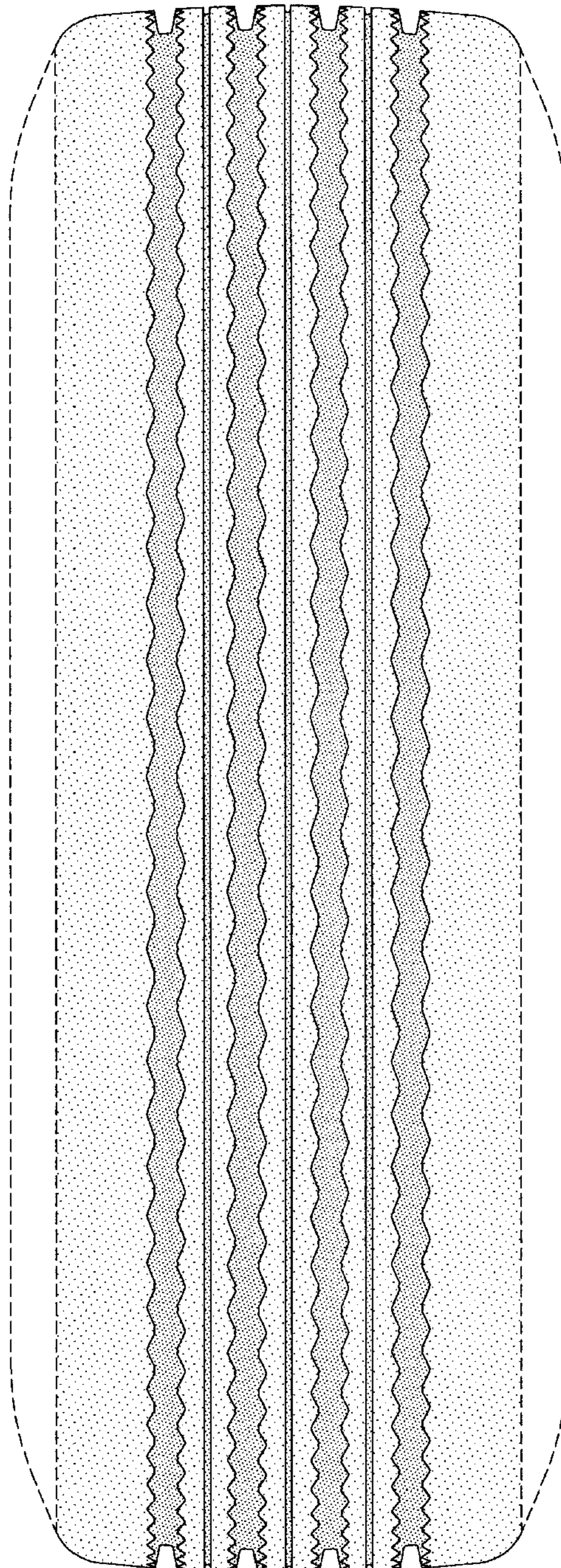


FIG-2

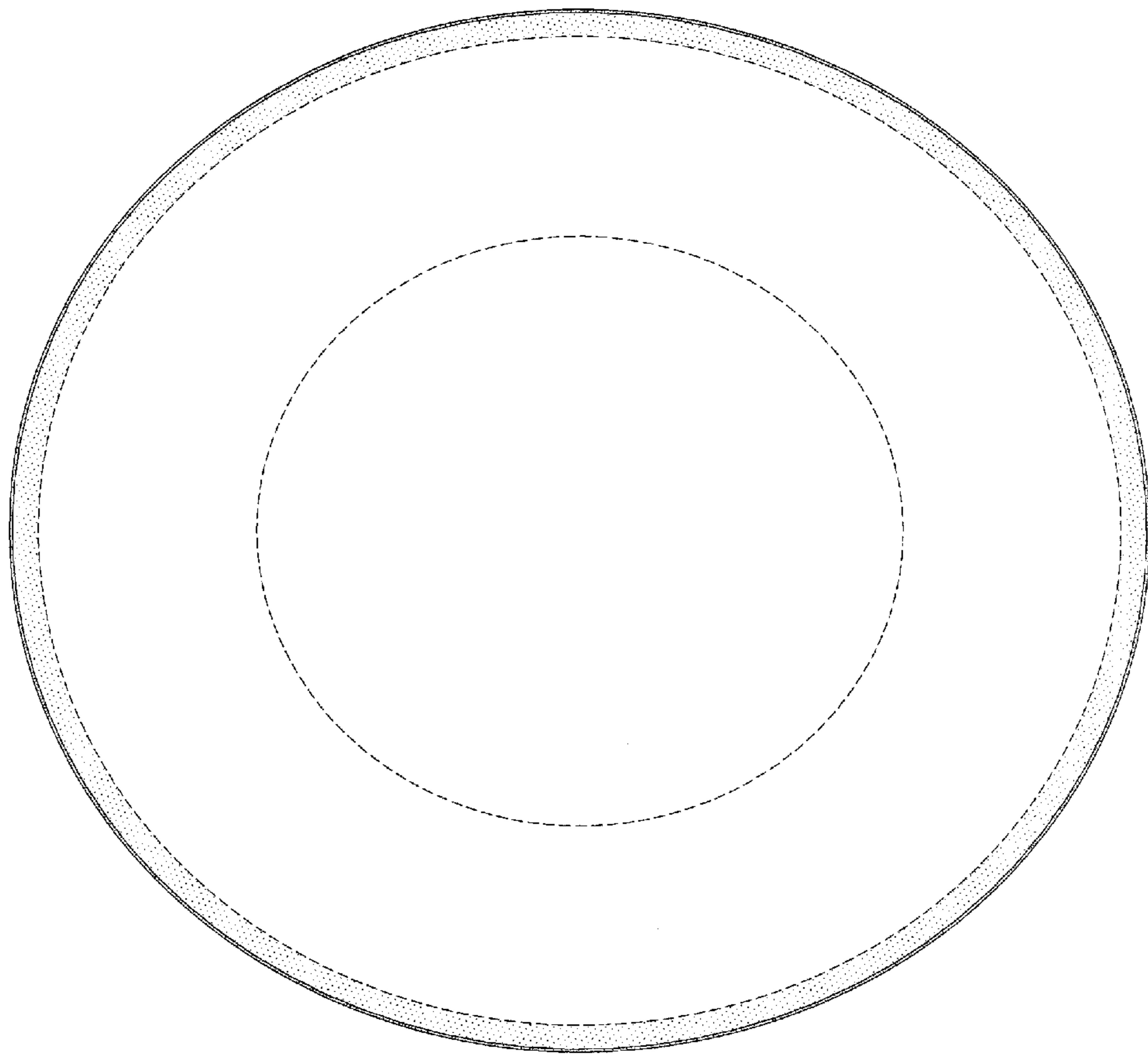


FIG-3

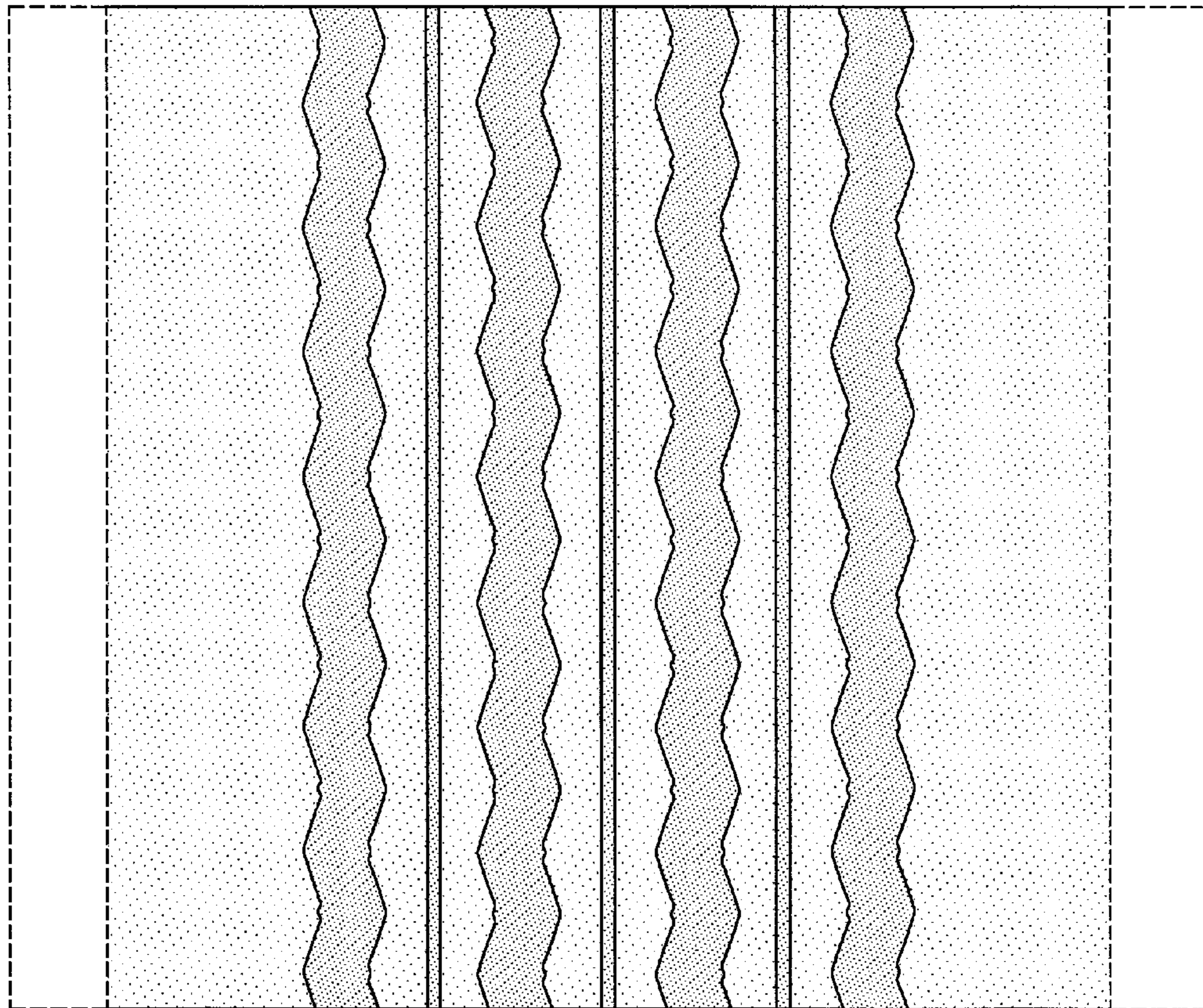


FIG-4