



US00D663676S

(12) **United States Design Patent**  
**Loken et al.**

(10) **Patent No.:** **US D663,676 S**  
(45) **Date of Patent:** **\*\* Jul. 17, 2012**

- (54) **BICYCLE CARRIER RACK**
- (76) Inventors: **Strahan Loken**, Victoria (CA); **Trevor Harmon**, Victoria (CA)
- (\*\*) Term: **14 Years**
- (21) Appl. No.: **29/397,291**
- (22) Filed: **Jul. 14, 2011**
- (51) **LOC (9) Cl.** ..... **12-11**
- (52) **U.S. Cl.** ..... **D12/408**
- (58) **Field of Classification Search** ..... D12/406-408, D12/412, 414; 224/42.11, 329, 331, 412, 224/413, 419, 454-456, 488, 489, 495, 496, 224/497, 499, 502, 505, 506, 511-521, 523, 224/532, 533, 531, 536, 553, 529, 537, 490-492, 224/403, 924; 280/304.5, 202; 211/17-22  
See application file for complete search history.

- D608,723 S \* 1/2010 Flaherty et al. .... D12/408
- D625,247 S \* 10/2010 Flaherty et al. .... D12/408
- D632,637 S \* 2/2011 Farber ..... D12/408
- D632,638 S \* 2/2011 Farber ..... D12/408
- D634,260 S \* 3/2011 Farber ..... D12/408
- 7,959,047 B2 \* 6/2011 Hammond ..... 224/521

\* cited by examiner

*Primary Examiner* — Susan M Lee  
*Assistant Examiner* — Linda G. Brooks  
(74) *Attorney, Agent, or Firm* — Gordon Thomson

(57) **CLAIM**  
The ornamental design for a bicycle carrier rack, as shown and described.

**DESCRIPTION**

FIG. 1 is a front perspective view of the design.  
FIG. 2 is a front elevation view of the design.  
FIG. 3 is a left-side elevation view of the design.  
FIG. 4 is a right-hand side elevation view of the design.  
FIG. 5 is a rear elevation view of the design.  
FIG. 6 is a top plan view of the design; and,  
FIG. 7 is a bottom plan view of the design.  
It is understood that the broken lines within the claimed design indicate a trailer hitch which do not form part of the claimed design.

- (56) **References Cited**
- U.S. PATENT DOCUMENTS
- 4,171,077 A \* 10/1979 Richard, Jr. .... 224/500
- 5,558,261 A \* 9/1996 Hedeem ..... 224/511
- 5,950,891 A \* 9/1999 Brungardt et al. .... 224/497
- 6,164,508 A \* 12/2000 van Veenen ..... 224/509
- 7,000,814 B2 \* 2/2006 Wang ..... 224/520
- D602,420 S \* 10/2009 Kuschmeader et al. .... D12/408

**1 Claim, 7 Drawing Sheets**

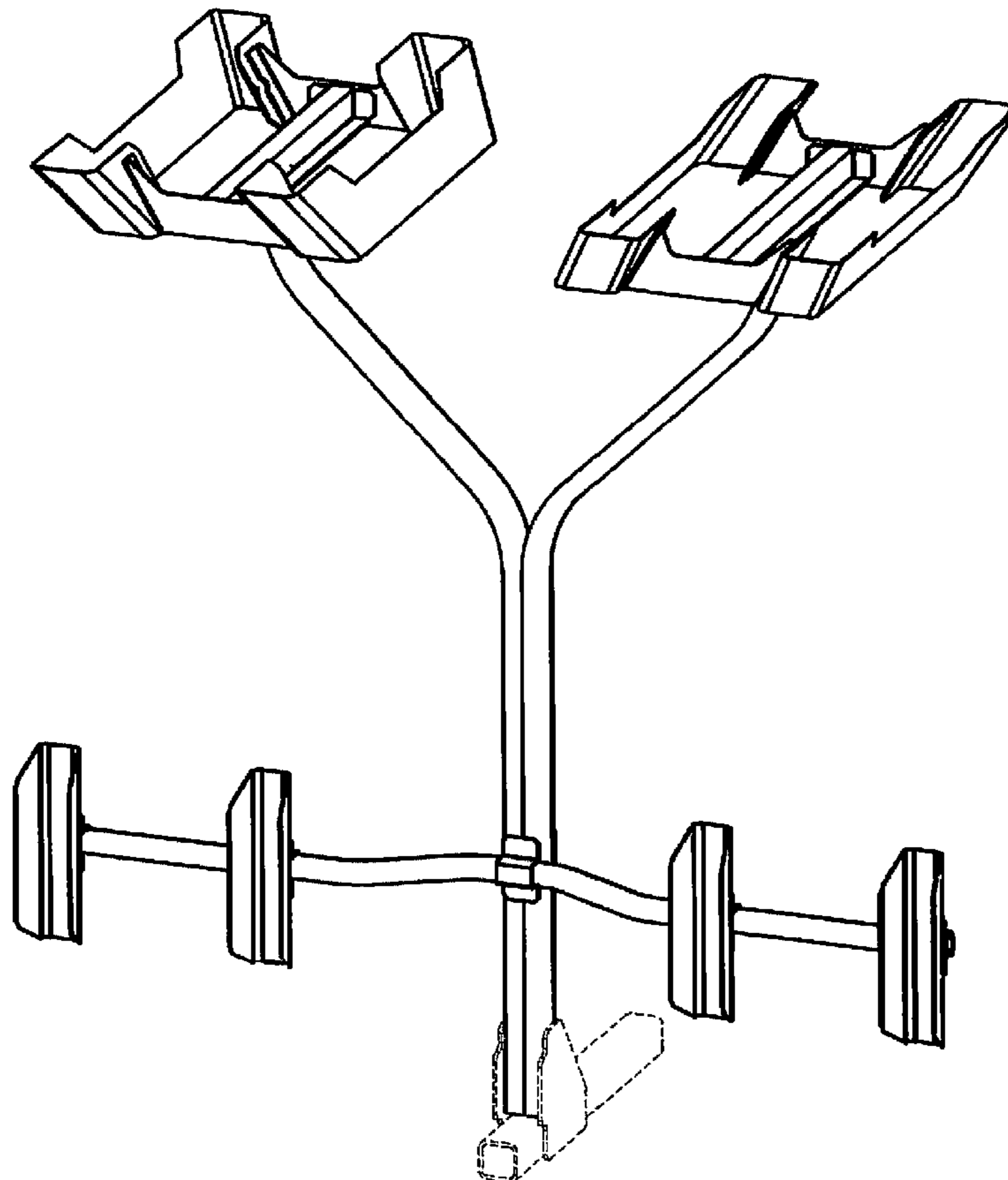


Figure 1

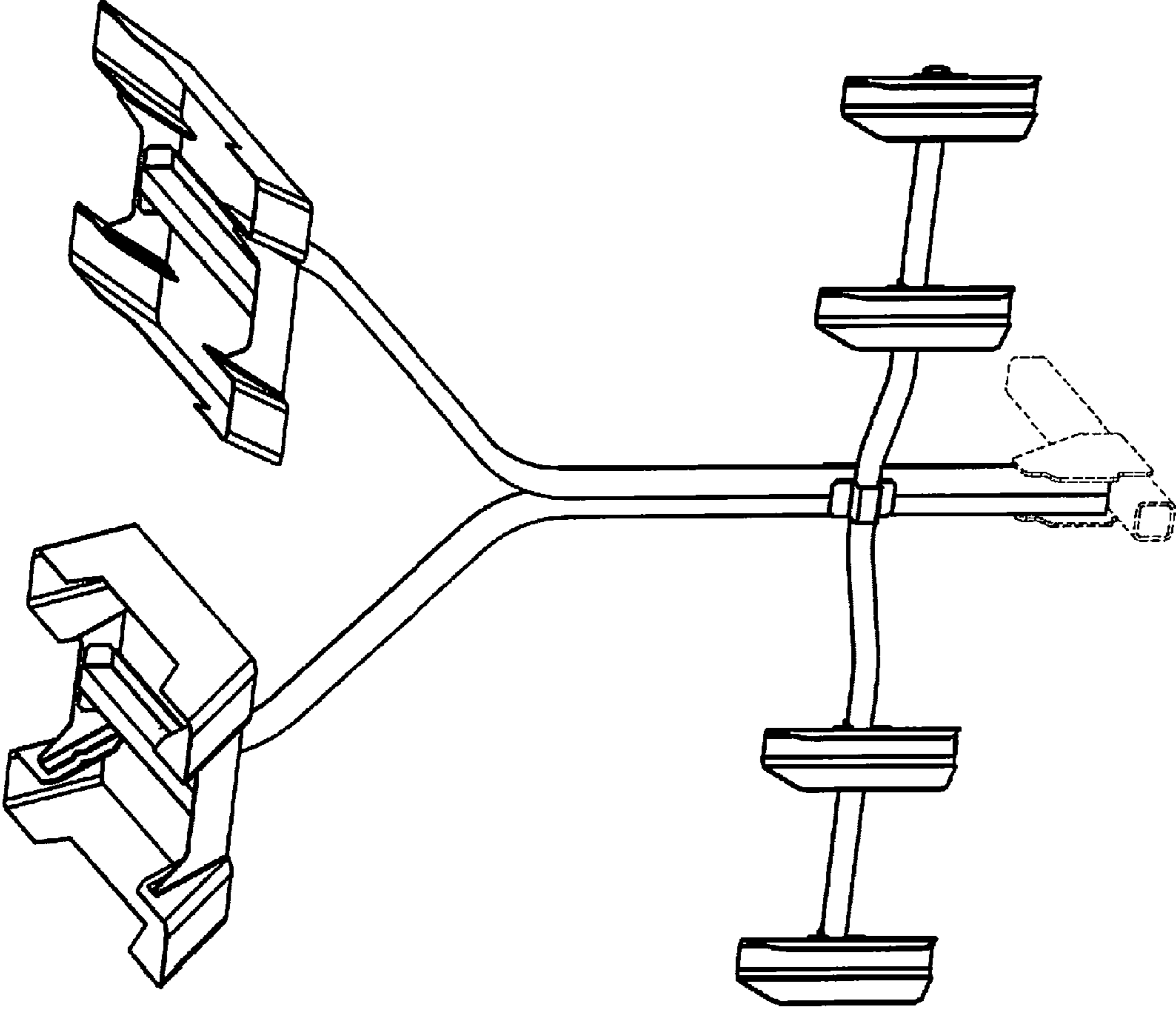


Figure 2

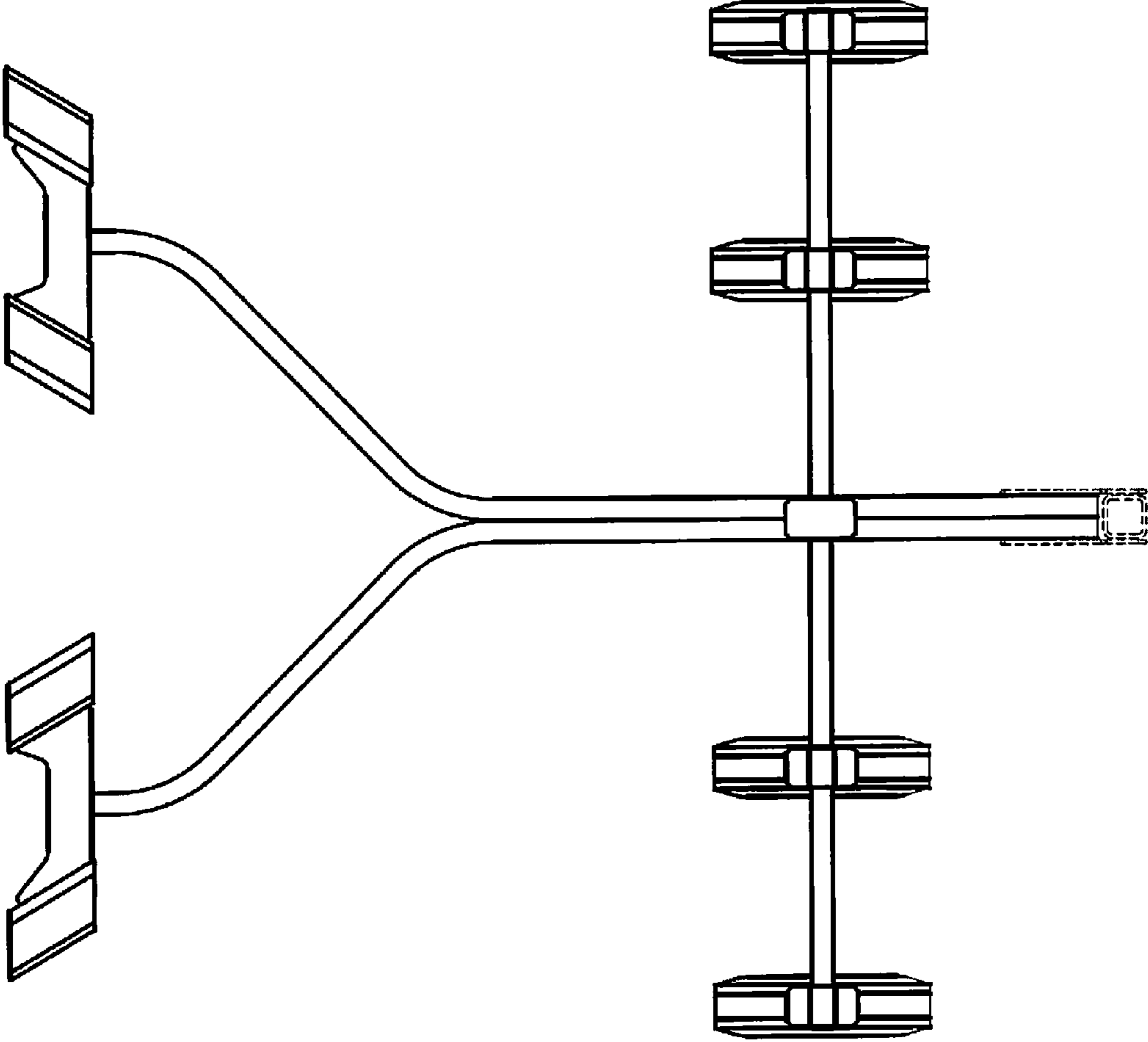


Figure 3

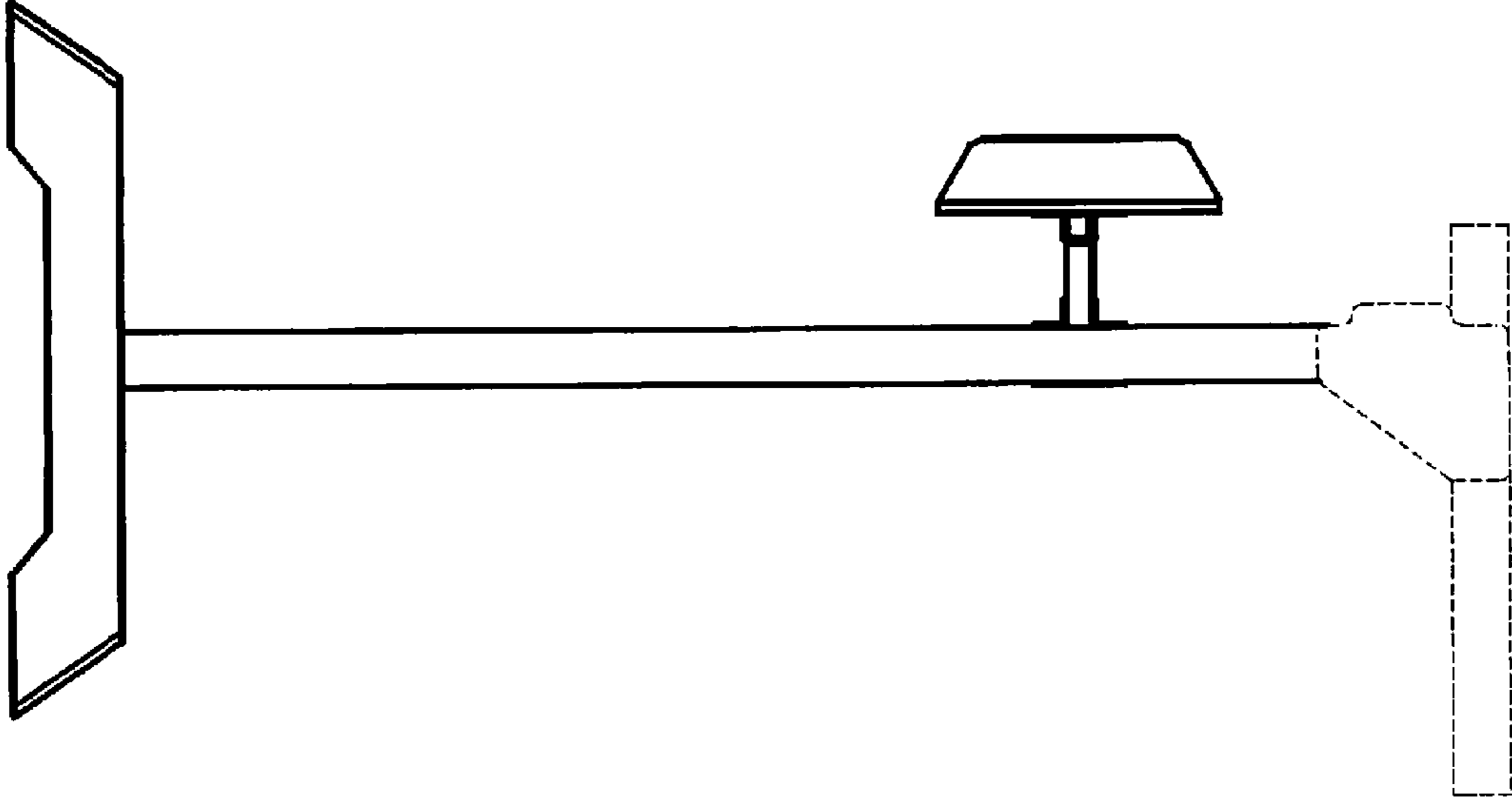


Figure 4

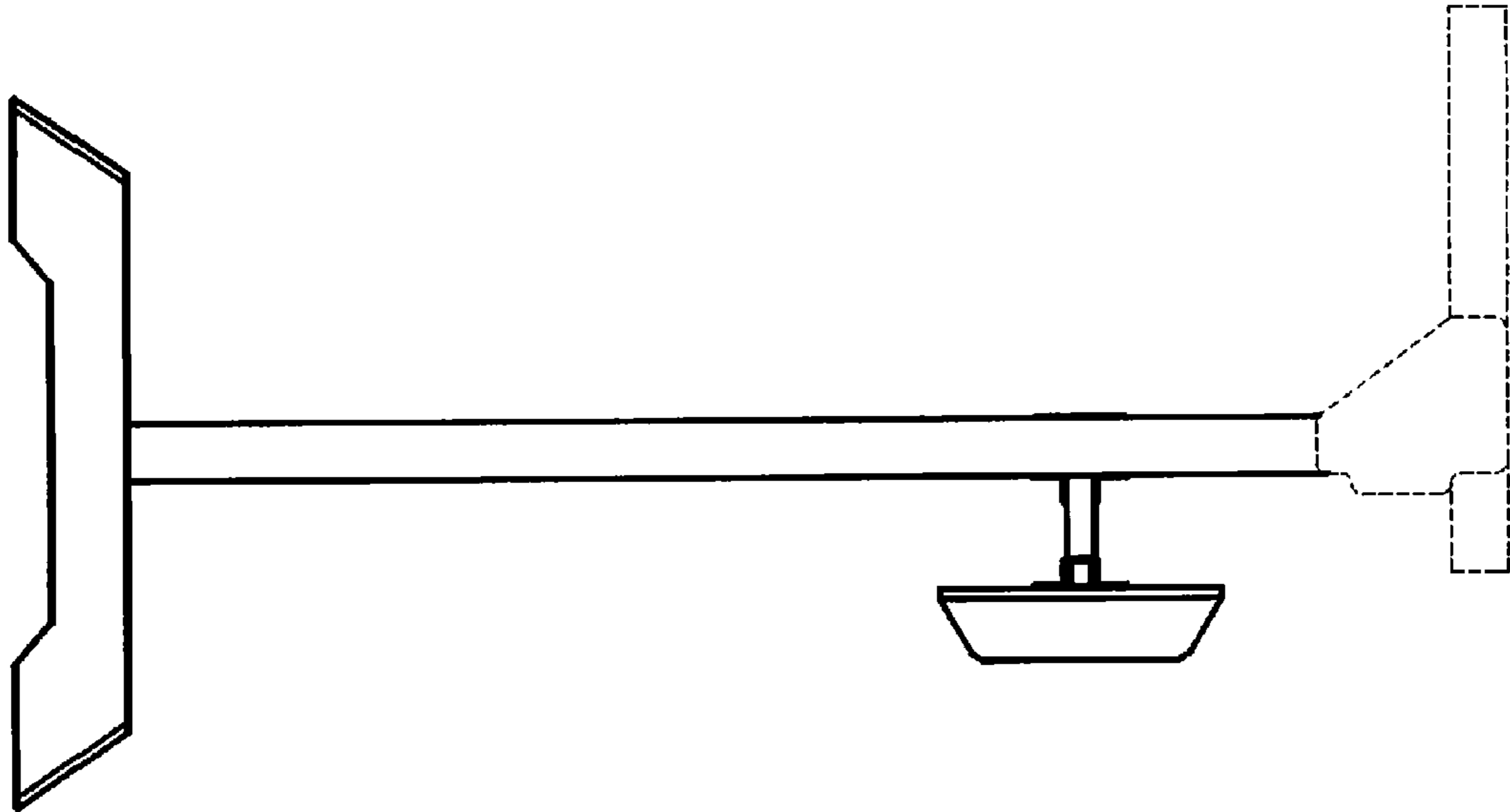


Figure 5

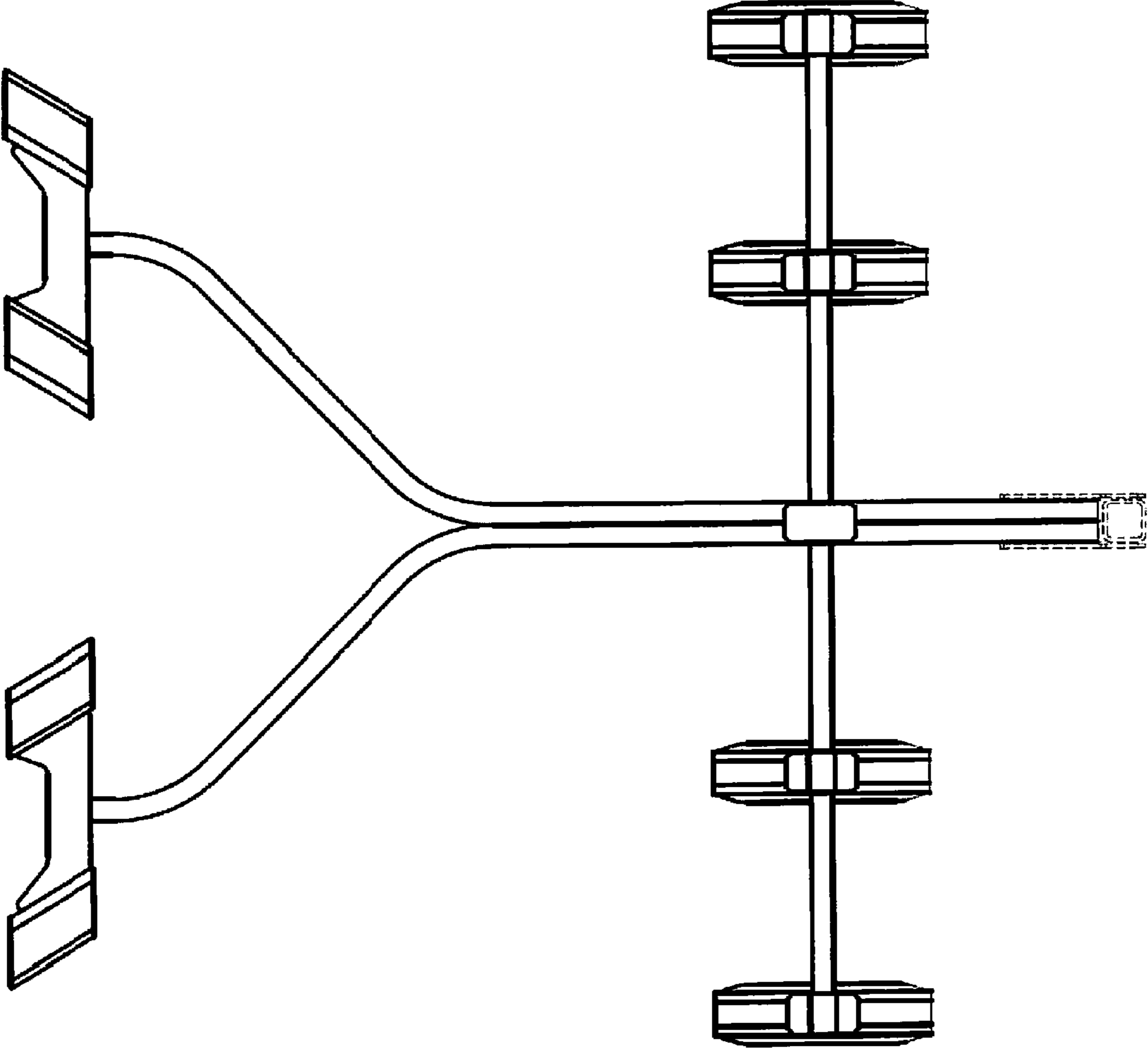


Figure 6

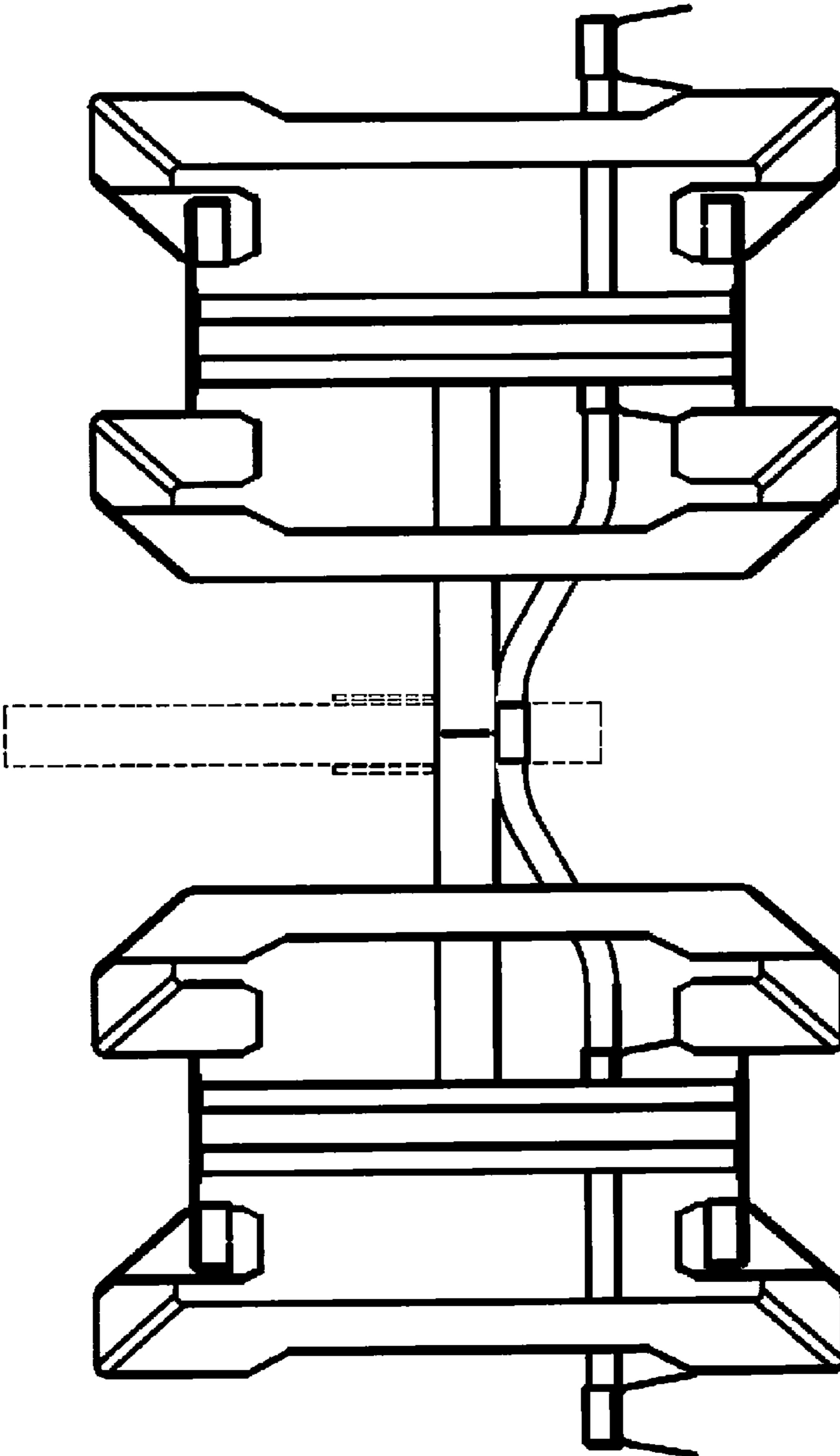


Figure 7

