



US00D663675S

(12) **United States Design Patent**
Sautter et al.

(10) **Patent No.:** **US D663,675 S**
(45) **Date of Patent:** **** Jul. 17, 2012**

(54) **BIKE RACK**

(75) Inventors: **Chris Sautter**, Portland, OR (US);
James S. Owen, Portland, OR (US);
Richard Jeli, Milwaukie, OR (US)

(73) Assignee: **Yakima Products, Inc.**, Beaverton, OR (US)

(**) Term: **14 Years**

(21) Appl. No.: **29/386,801**

(22) Filed: **Mar. 4, 2011**

(51) **LOC (9) Cl.** **12-16**

(52) **U.S. Cl.** **D12/408**

(58) **Field of Classification Search** D12/406-408,
D12/115, 120, 412; 224/400, 412, 413, 488,
224/489, 493, 497, 500, 512-514, 42.12,
224/42.13, 924, 522-537; 280/202, 304.5
See application file for complete search history.

(56) **References Cited**

U.S. PATENT DOCUMENTS

5,645,202 A * 7/1997 Kaloustian 224/314
D412,482 S * 8/1999 Chen D12/408
6,000,593 A * 12/1999 Chimenti 224/504

D447,997 S * 9/2001 Ferman et al. D12/408
6,386,407 B1 * 5/2002 Erickson et al. 224/282
7,434,714 B2 * 10/2008 Huang 224/497
7,810,685 B2 * 10/2010 Bove et al. 224/324
D637,137 S * 5/2011 Weaver et al. D12/408

* cited by examiner

Primary Examiner — Susan M Lee

Assistant Examiner — Linda G. Brooks

(74) *Attorney, Agent, or Firm* — Kolisch Hartwell, P.C.

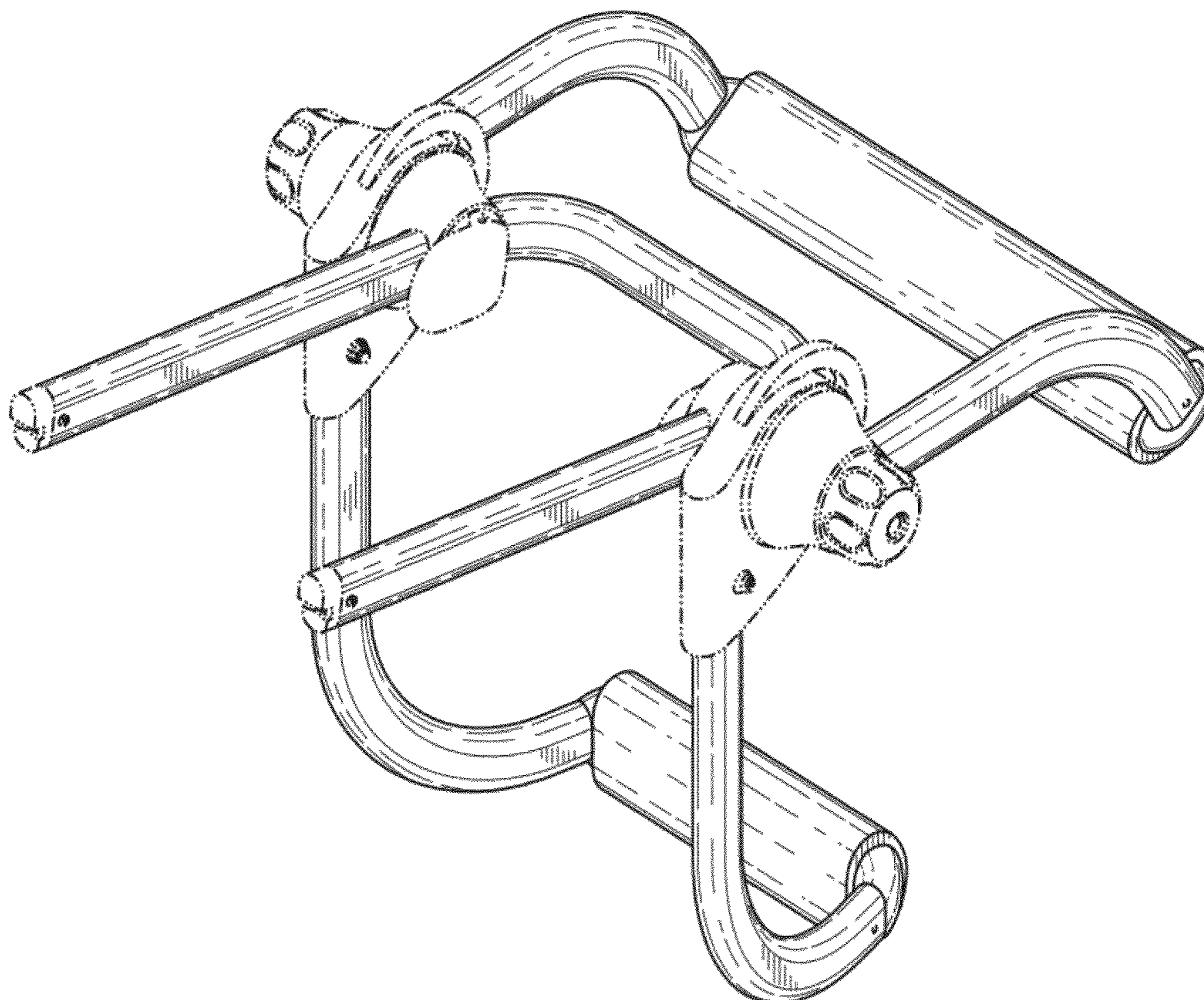
(57) **CLAIM**

We claim the ornamental design for a bike rack, as shown and described.

DESCRIPTION

FIG. 1 is a perspective view of a bike rack.
FIG. 2 is a side view of the bike rack shown in FIG. 1.
FIG. 3 is a front view of the bike rack shown in FIG. 1.
FIG. 4 is an end view of the bike rack shown in FIG. 1.
FIG. 5 is a top view of the bike rack shown in FIG. 1; and,
FIG. 6 is a bottom view of the bike rack shown in FIG. 1.
Dash dot dot dash line(s) shown in the figures illustrate unclaimed portions of the bike rack.
The left side of the bike rack is a mirror image of the right side, so the left view has been omitted.

1 Claim, 4 Drawing Sheets



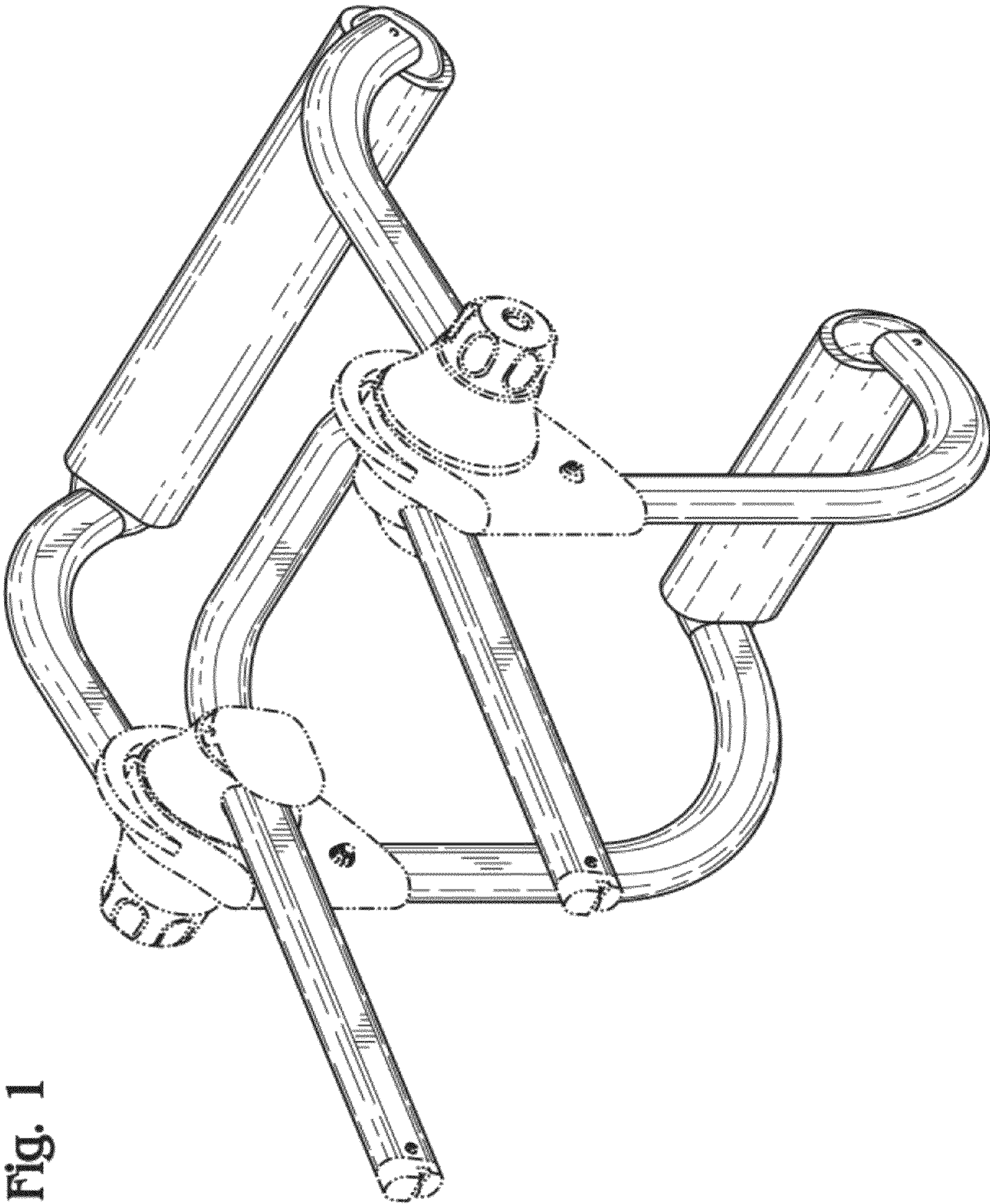


Fig. 1

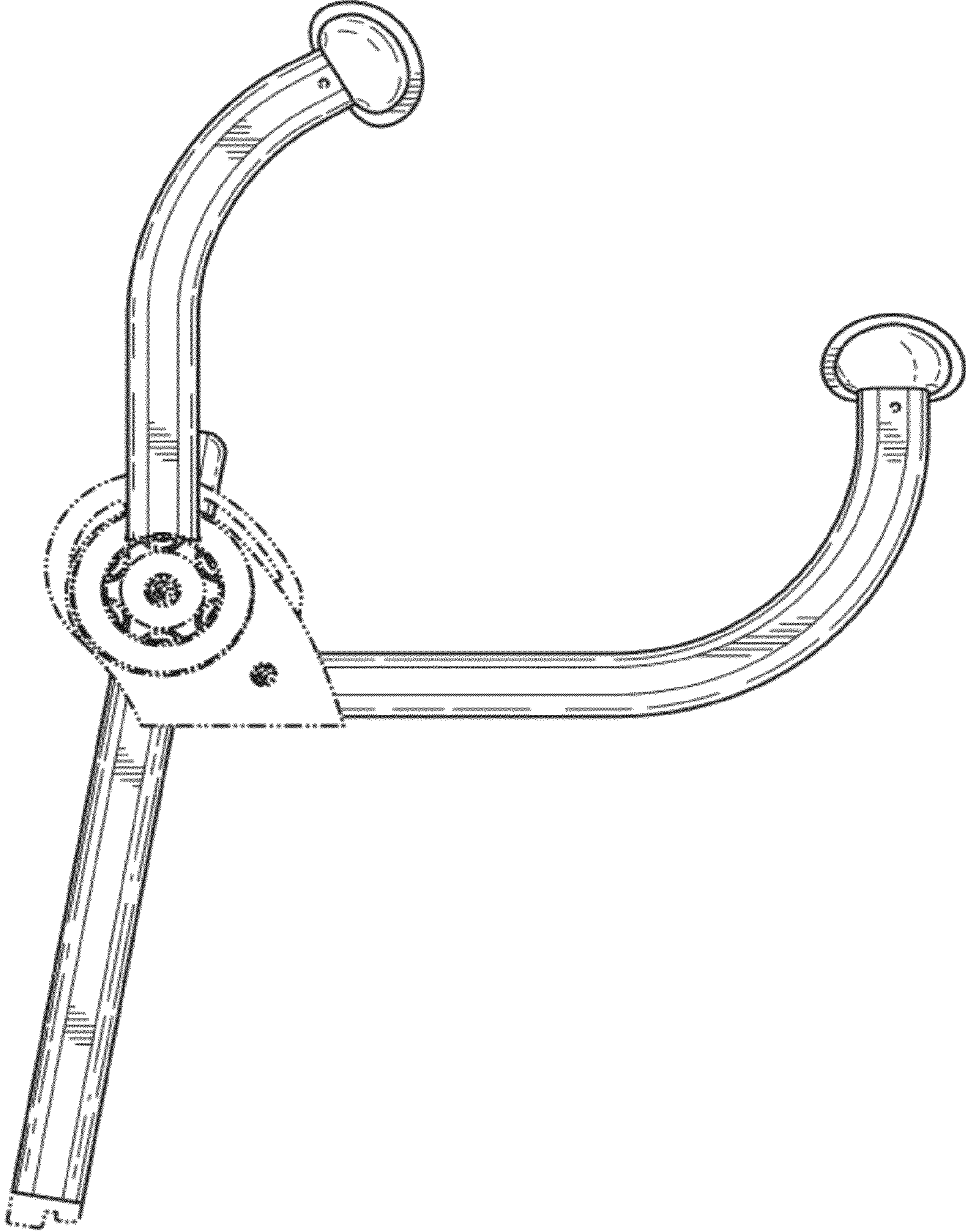


Fig. 2

Fig. 3

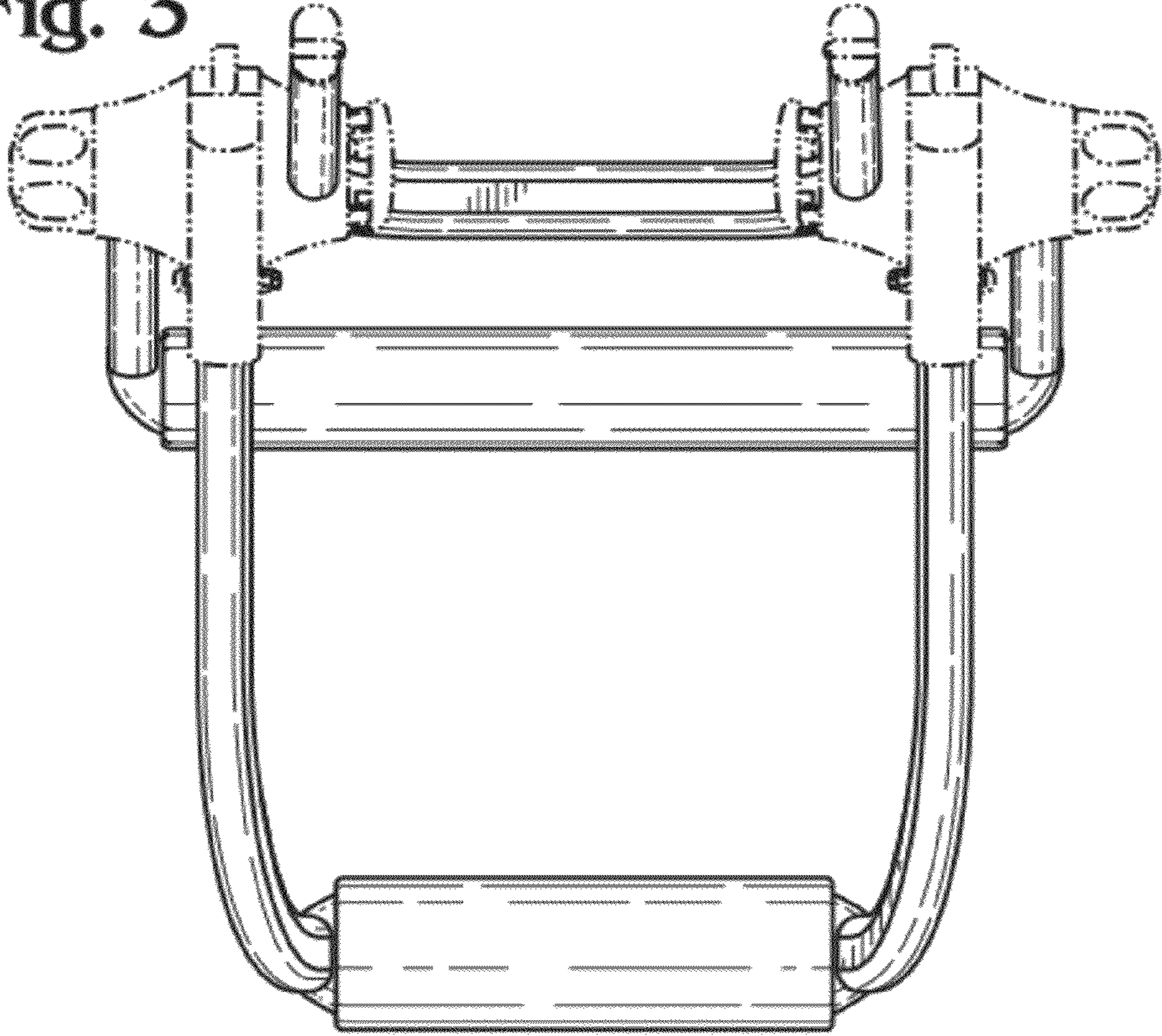
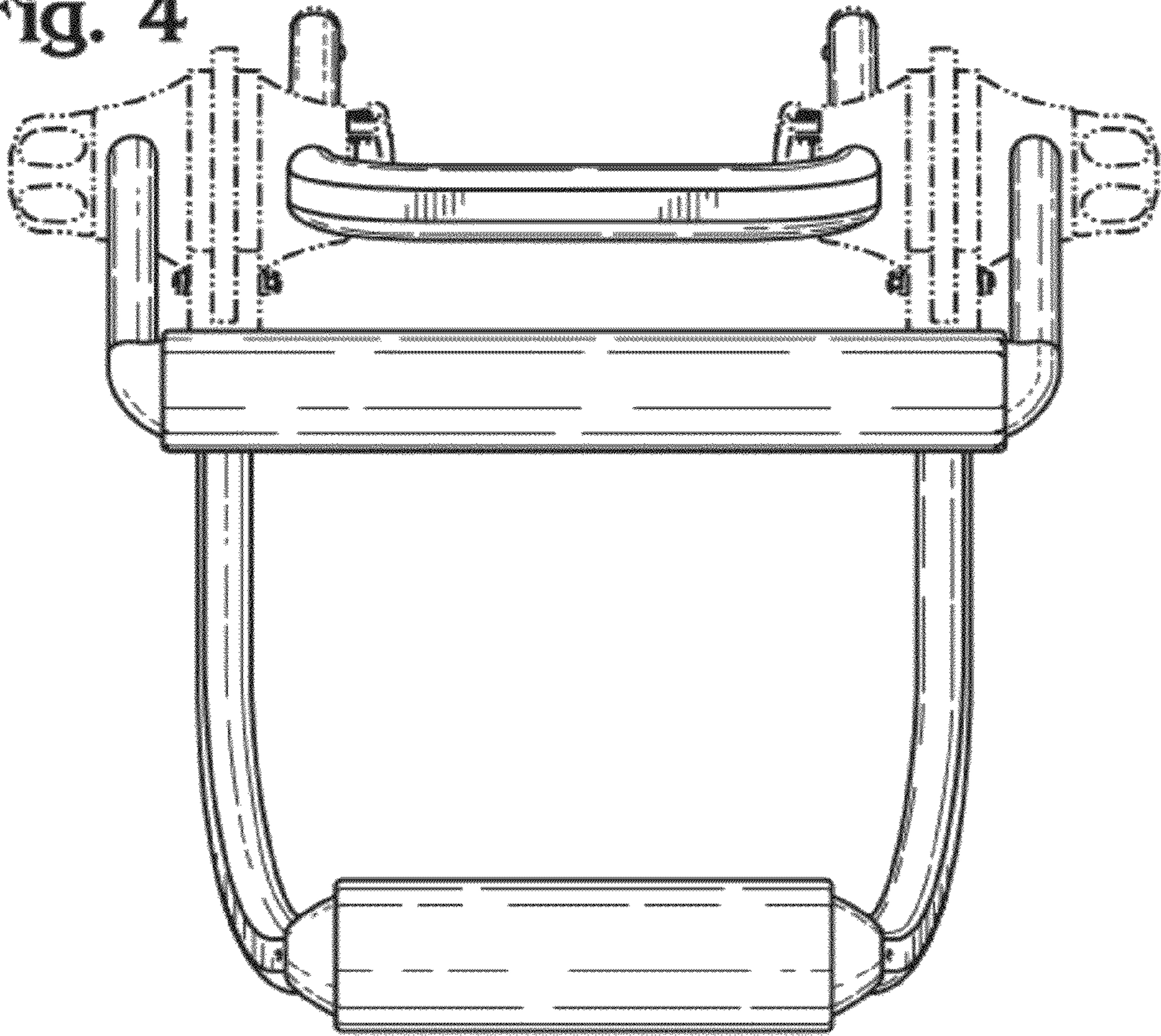


Fig. 4



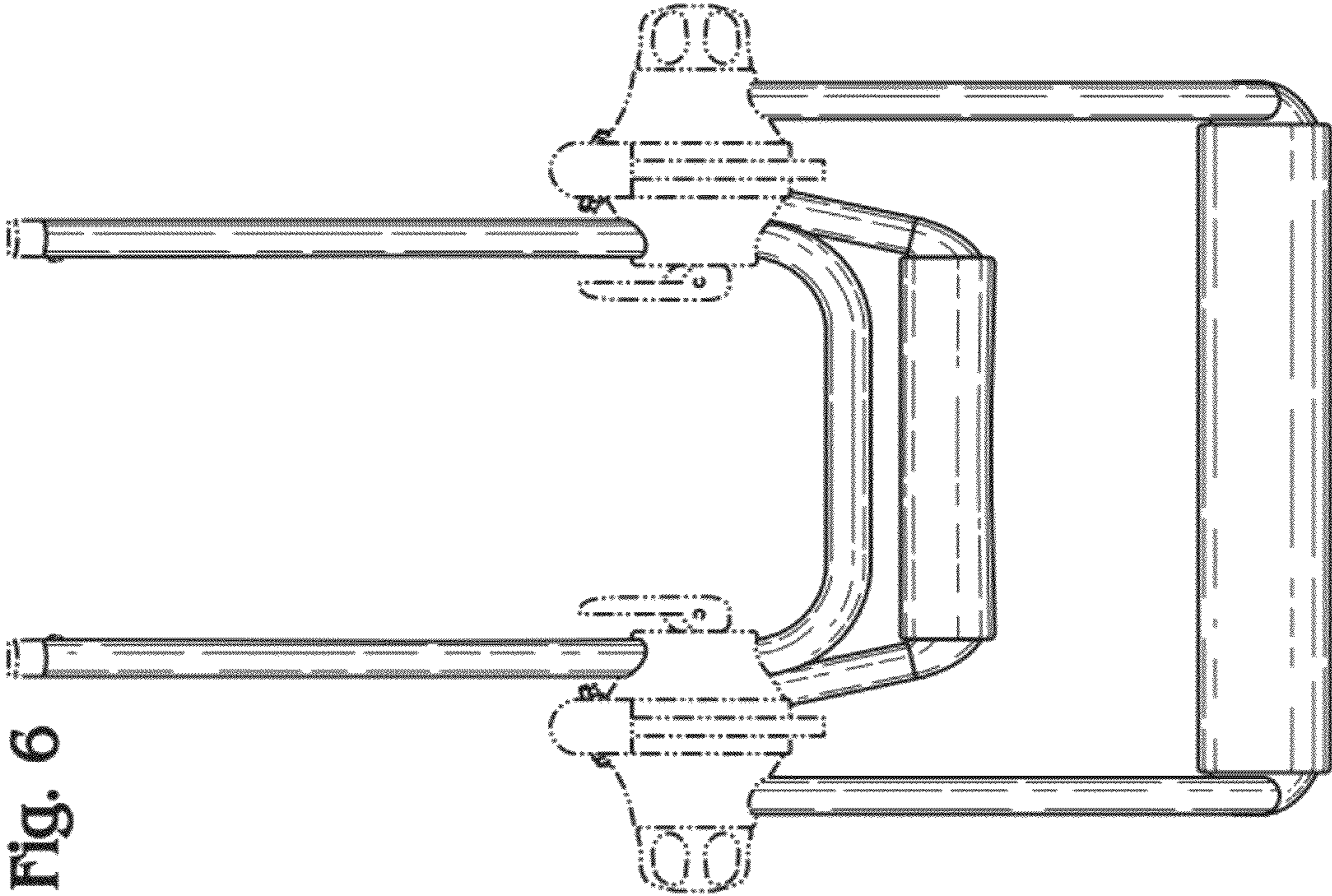


Fig. 6

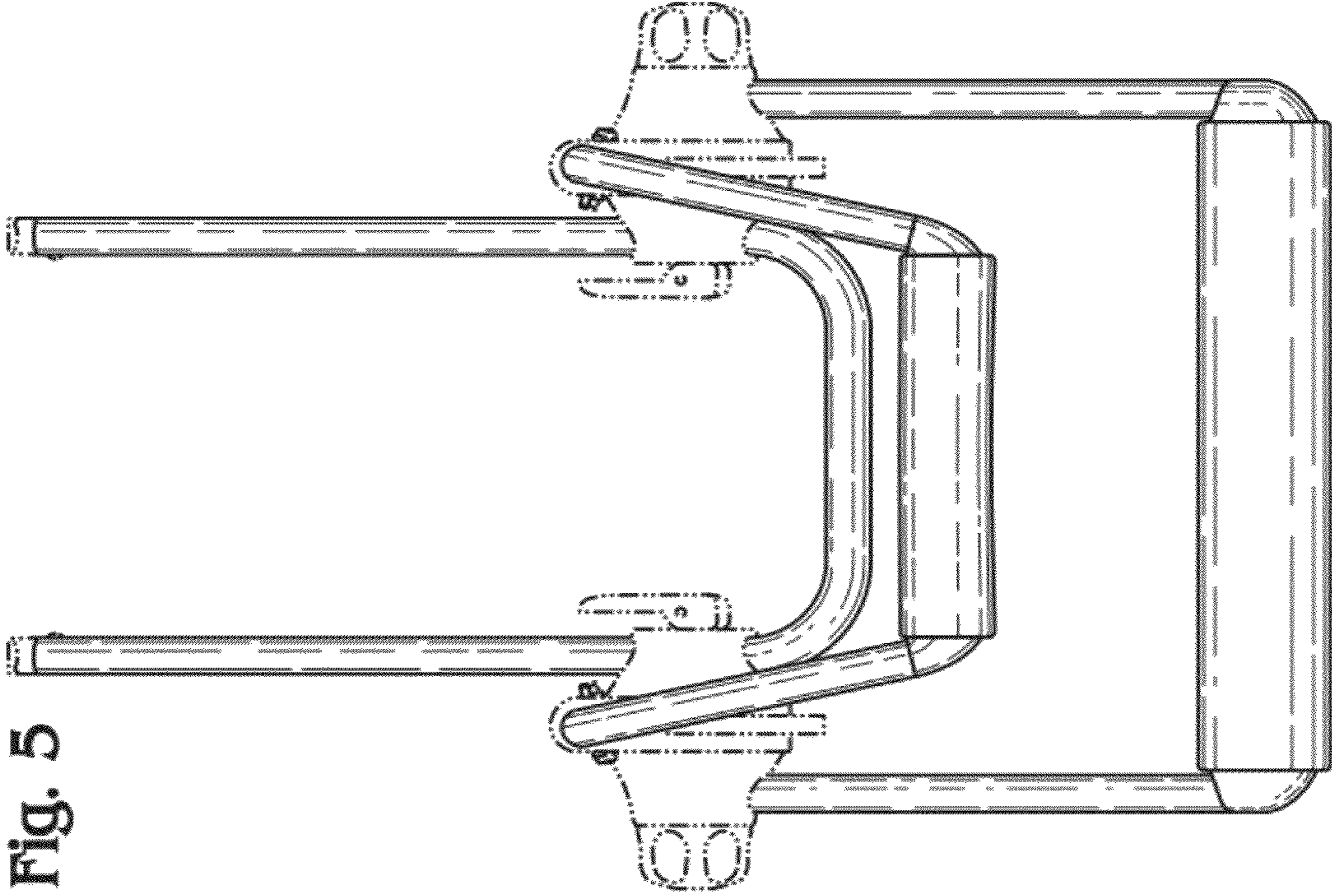


Fig. 5