



US00D663672S

(12) **United States Design Patent**
Platto et al.

(10) **Patent No.:** **US D663,672 S**

(45) **Date of Patent:** **** Jul. 17, 2012**

(54) **VEHICLE WHEEL**

(75) Inventors: **Gordon M. Platto**, Troy, MI (US);
Bradley Alan Richards, Bloomfield
Hills, MI (US); **Shawn Sung Yu**,
Shanghai (CN); **Timothy Doyle**, Royal
Oak, MI (US); **Amy Kim**, New York,
NY (US)

(73) Assignee: **Ford Motor Company**, Dearborn, MI
(US)

(**) Term: **14 Years**

(21) Appl. No.: **29/411,530**

(22) Filed: **Jan. 23, 2012**

(51) **LOC (9) Cl.** **12-16**

(52) **U.S. Cl.** **D12/211**

(58) **Field of Classification Search** D12/204–213;
301/37.101, 64.101, 65, 64.201

See application file for complete search history.

(56) **References Cited**

U.S. PATENT DOCUMENTS

D486,111	S	*	2/2004	Weidhase	D12/211
D517,970	S	*	3/2006	Pollmann	D12/209
D567,165	S	*	4/2008	Truebsbach	D12/209
D580,840	S	*	11/2008	Elmitt	D12/209
D592,119	S	*	5/2009	Heizmann	D12/211
D603,318	S	*	11/2009	Luciani et al.	D12/209
D614,112	S	*	4/2010	Tant et al.	D12/211
D635,907	S	*	4/2011	Futschik et al.	D12/211
D644,976	S	*	9/2011	Nissl	D12/209
D654,007	S	*	2/2012	Nissl	D12/211

* cited by examiner

Primary Examiner — Stacia Cadmus

(74) *Attorney, Agent, or Firm* — Damian Porcari

(57) **CLAIM**

The ornamental design for a vehicle wheel, as shown and described.

DESCRIPTION

FIG. 1 is a front view of a vehicle wheel; and,
FIG. 2 is a perspective view of the vehicle wheel.

1 Claim, 2 Drawing Sheets

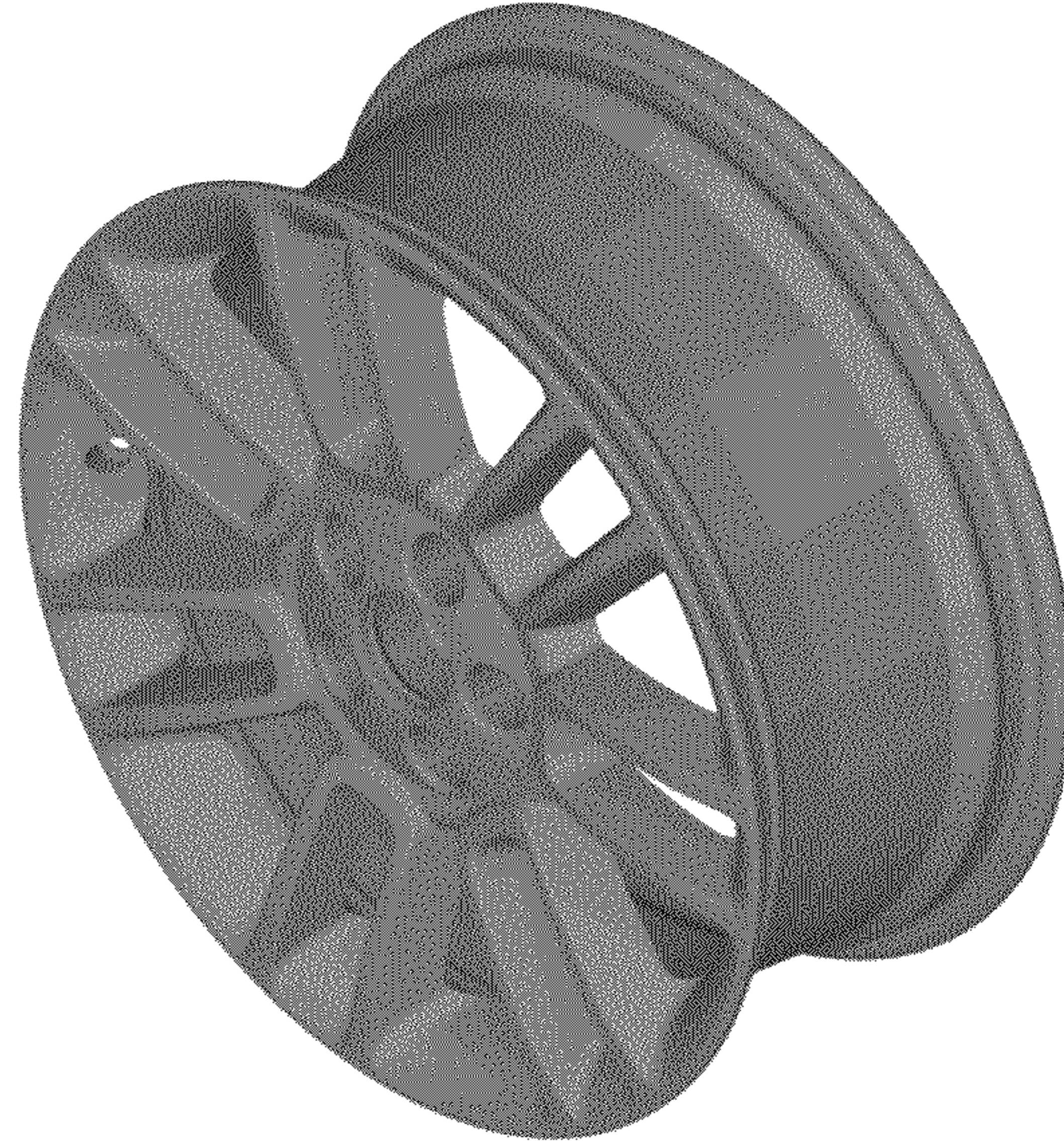




Figure 1

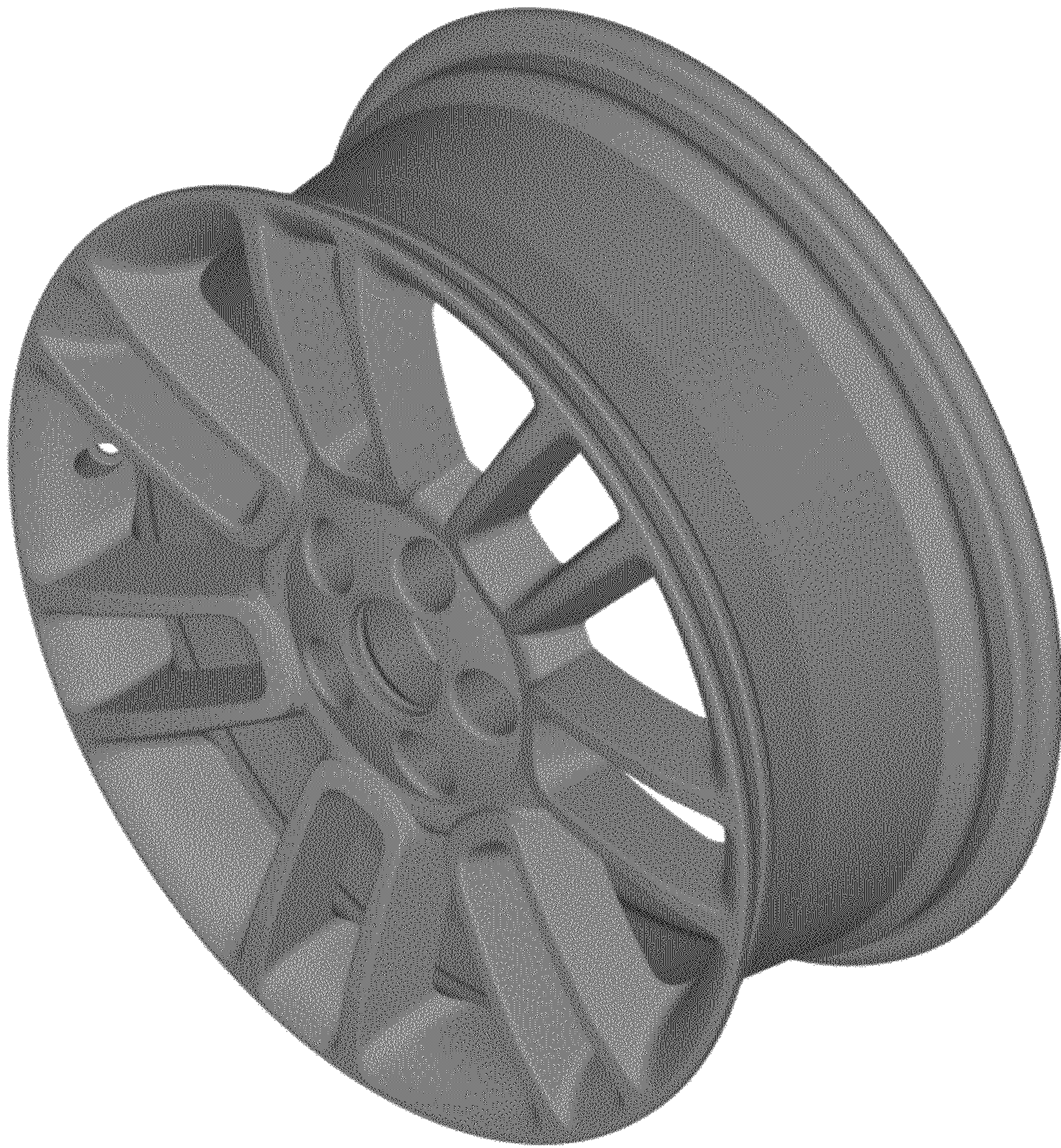


Figure 2