



US00D663671S

(12) **United States Design Patent**  
**Song et al.**

(10) **Patent No.:** **US D663,671 S**  
(45) **Date of Patent:** **\*\* Jul. 17, 2012**

(54) **VEHICLE WHEEL COVER**

(75) Inventors: **Solomon H Song**, Farmington Hills, MI (US); **Darrell Paul Behmer**, Novi, MI (US); **Shawn Wehrly**, Royal Oak, MI (US)

(73) Assignee: **Ford Global Technologies, LLC**, Dearborn, MI (US)

(\*\*) Term: **14 Years**

(21) Appl. No.: **29/405,231**

(22) Filed: **Oct. 31, 2011**

(51) **LOC (9) Cl.** ..... **12-16**

(52) **U.S. Cl.** ..... **D12/211**

(58) **Field of Classification Search** ..... D12/204-213;  
301/37.101, 64.101, 65, 64.201

See application file for complete search history.

(56) **References Cited**

**U.S. PATENT DOCUMENTS**

D260,510 S *	9/1981	Powers	.....	D12/211
D384,632 S *	10/1997	Lempert	.....	D12/211
D399,181 S *	10/1998	McMath	.....	D12/211
D441,705 S *	5/2001	Brintouch	.....	D12/204

D544,427 S *	6/2007	Pfeiffer	.....	D12/211
D593,022 S *	5/2009	Forster et al.	.....	D12/211
D610,517 S *	2/2010	Leng et al.	.....	D12/211
D617,246 S *	6/2010	Zhao	.....	D12/209

**OTHER PUBLICATIONS**

[http://www.automobilemag.com/auto\\_shows/2008\\_los\\_angeles/0811\\_2010\\_lincoln\\_mkz/index.html](http://www.automobilemag.com/auto_shows/2008_los_angeles/0811_2010_lincoln_mkz/index.html), Auto Shows: 2010 Lincoln MKZ, from Apr. 2009 issue of Automobile Magazine, 3 pgs.

\* cited by examiner

*Primary Examiner* — Stacia Cadmus

(74) *Attorney, Agent, or Firm* — Frank A. MacKenzie; Brooks Kushman P.C.

(57) **CLAIM**

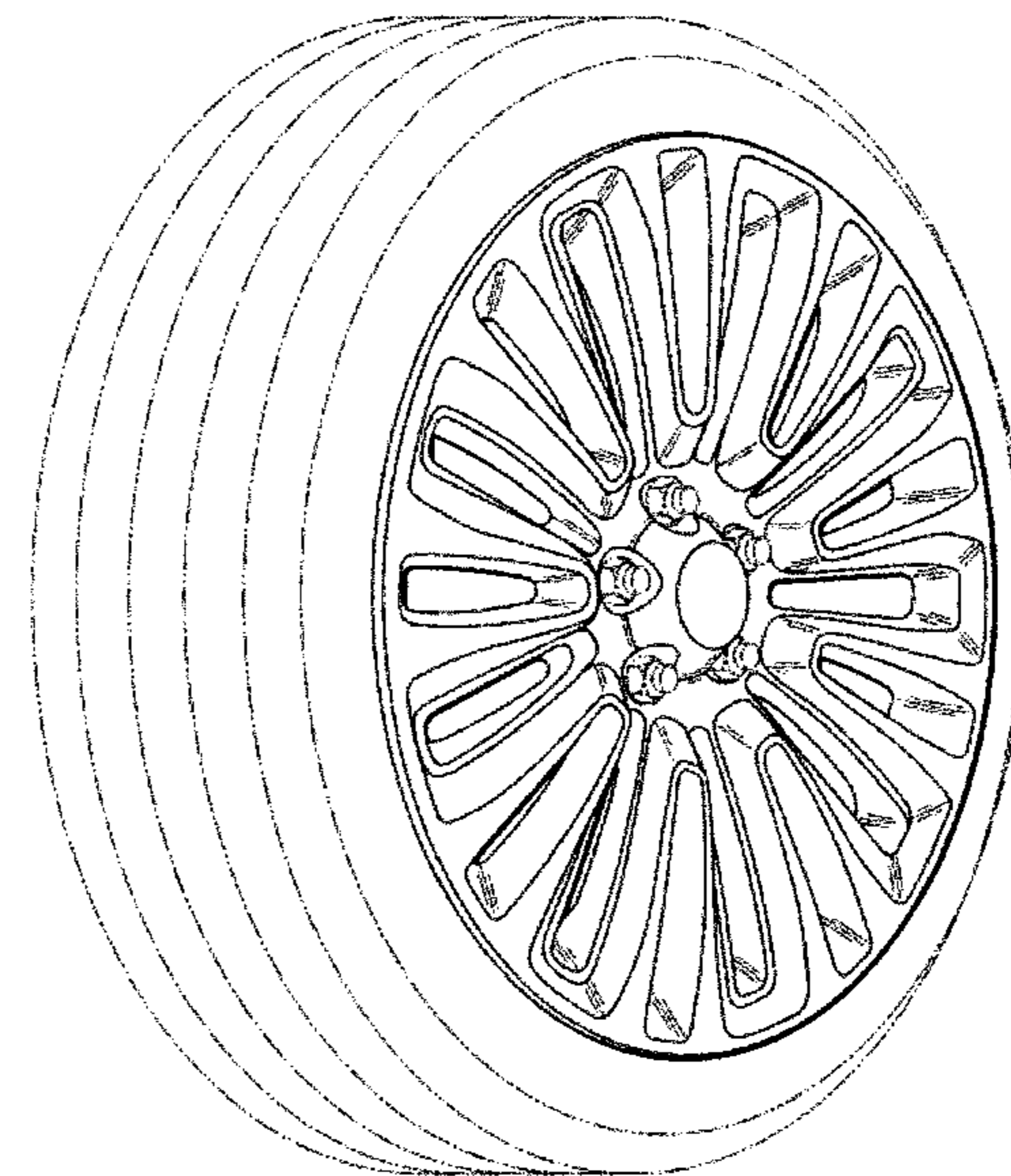
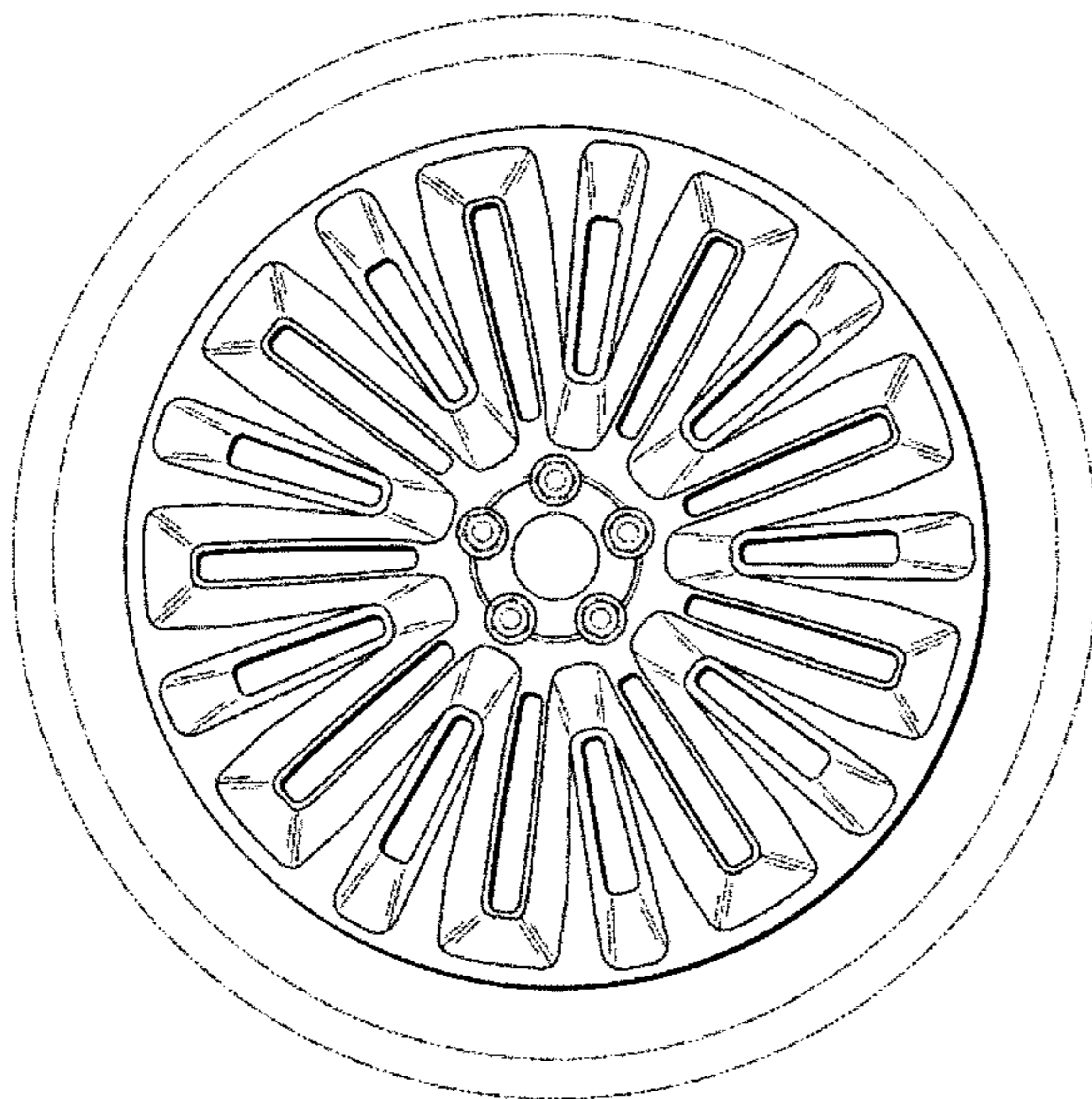
The ornamental design for a vehicle wheel cover, as shown and described.

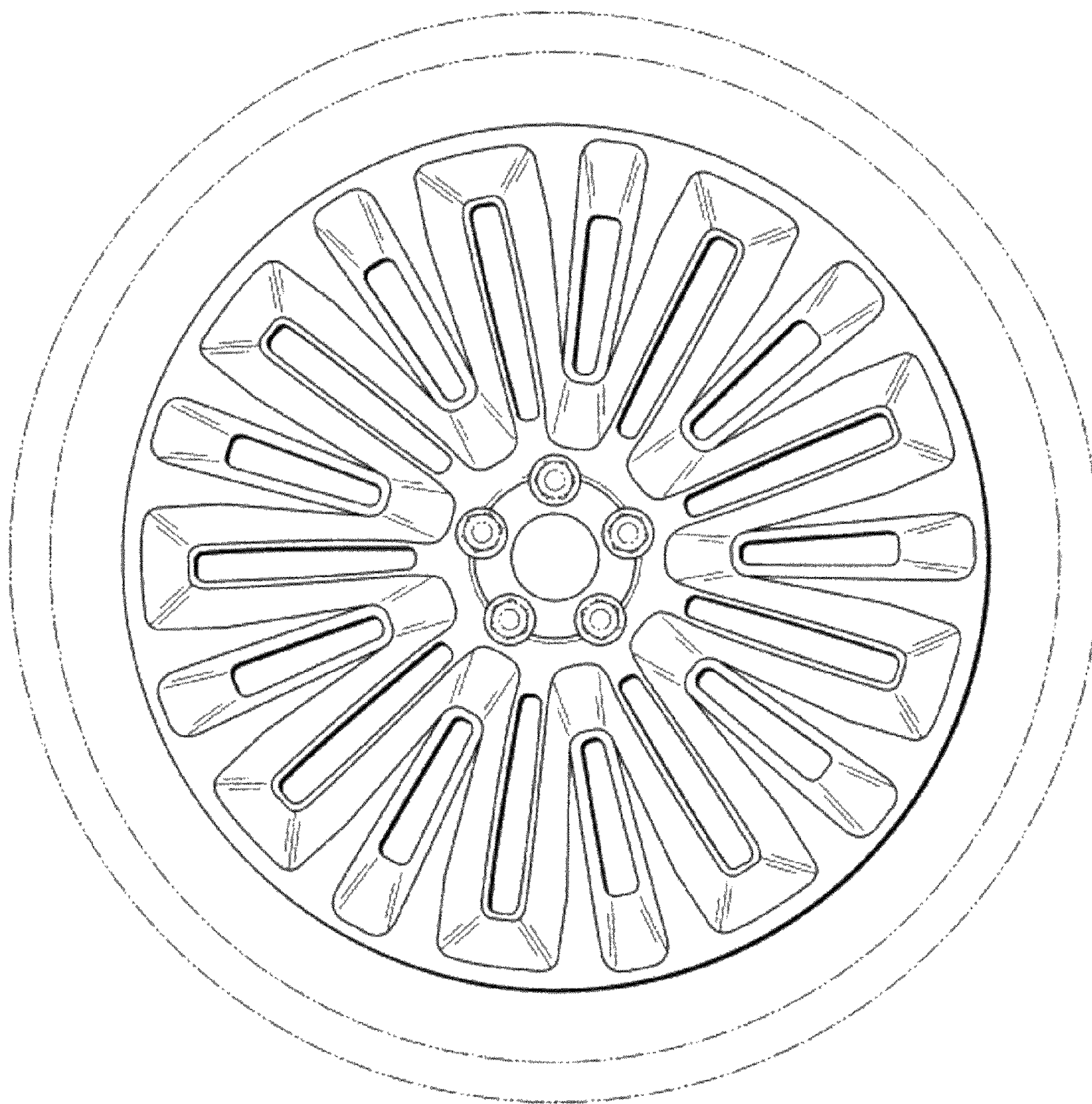
**DESCRIPTION**

FIG. 1 is a perspective view of an embodiment of a vehicle wheel cover; and, FIG. 2 is another perspective view of the vehicle wheel cover of FIG. 1.

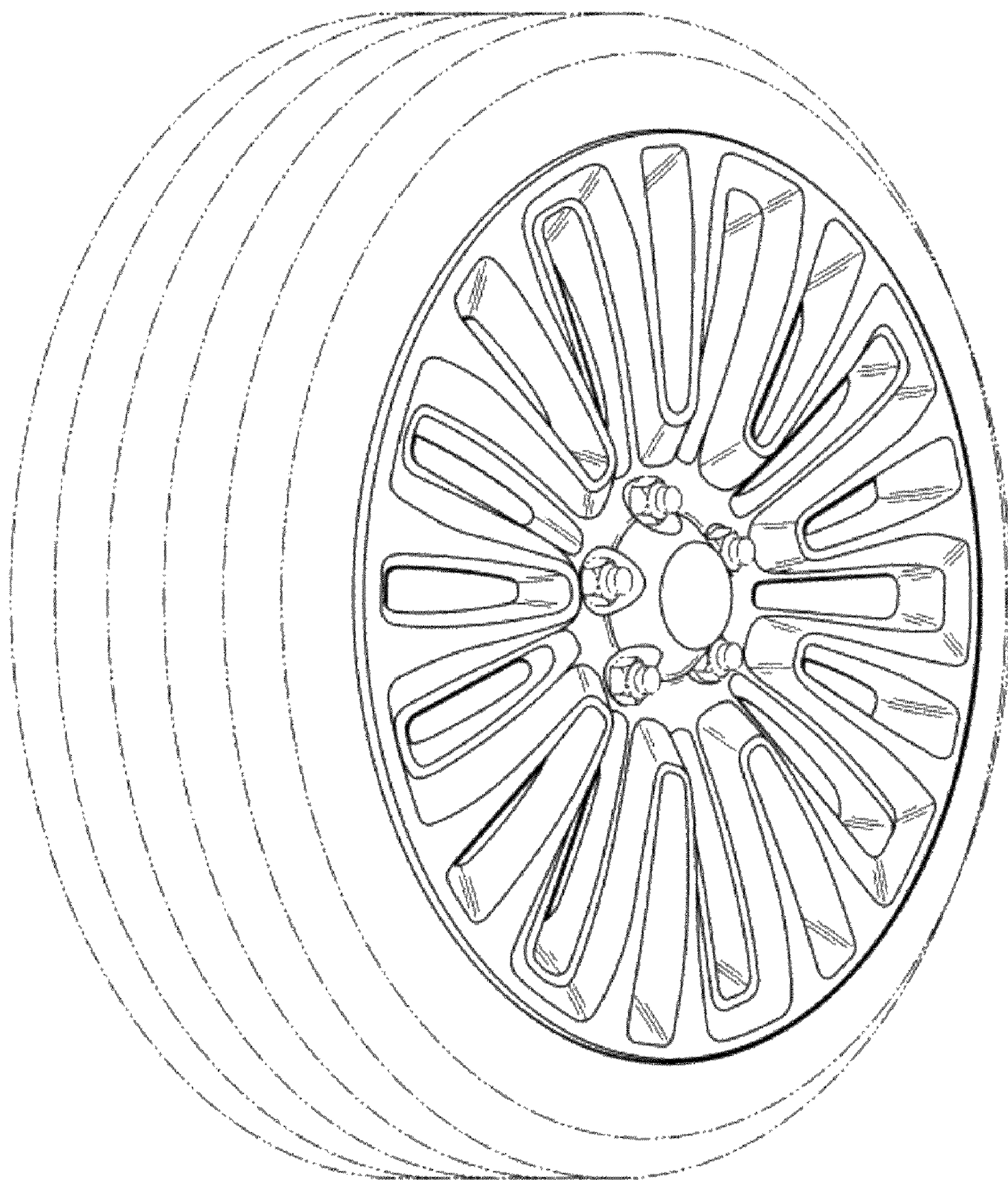
The broken lines are for illustrative purposes only and form no part of the claimed design.

**1 Claim, 2 Drawing Sheets**





*Fig. 1*



*Fig. 2*