

US00D663670S

(12) **United States Design Patent**
Juergens et al.

(10) **Patent No.:** **US D663,670 S**
(45) **Date of Patent:** **** Jul. 17, 2012**

(54) **WHEEL OR WHEEL COVER**
(75) Inventors: **Dirk Juergens**, Munich (DE); **Rainer Mueller**, Munich (DE)

(73) Assignee: **Bayerische Motoren Werke Aktiengesellschaft**, Munich (DE)

(**) Term: **14 Years**

(21) Appl. No.: **29/401,760**

(22) Filed: **Sep. 15, 2011**

(30) **Foreign Application Priority Data**

Mar. 16, 2011 (DE) 402011001500

(51) **LOC (9) Cl.** **12-16**

(52) **U.S. Cl.** **D12/211**

(58) **Field of Classification Search** D12/204-213;
301/37.101, 64.101, 65, 64.201

See application file for complete search history.

(56) **References Cited**

U.S. PATENT DOCUMENTS

D504,381 S *	4/2005	Rice	D12/211
D510,554 S *	10/2005	Markefka	D12/211
D521,438 S *	5/2006	Nordmann	D12/211
D526,610 S *	8/2006	Muzzarelli	D12/211
D542,728 S *	5/2007	Ichinose	D12/211
D558,118 S *	12/2007	Hueller	D12/211
D567,167 S *	4/2008	Forster	D12/211
D590,319 S *	4/2009	Juergens et al.	D12/211
D594,397 S *	6/2009	Laengerer	D12/211
D598,834 S *	8/2009	Juergens et al.	D12/209
D621,765 S *	8/2010	Baum	D12/209

D621,770 S	8/2010	Pollmann	
D623,115 S *	9/2010	Juergens et al. D12/211
D626,053 S *	10/2010	Groom D12/211
D629,346 S *	12/2010	Szews D12/211
D630,564 S	1/2011	Baum	
D635,499 S	4/2011	Nissl	
D639,716 S *	6/2011	Juergens et al. D12/211
D644,977 S *	9/2011	Juergens et al. D12/211
D654,007 S *	2/2012	Nissl D12/211

FOREIGN PATENT DOCUMENTS

EM	001658154-0002	5/2010
EM	001772922-0009	10/2010
EM	001714668-0002	1/2011
EM	001754953-0004	1/2011

* cited by examiner

Primary Examiner — Stacia Cadmus

(74) *Attorney, Agent, or Firm* — Crowell & Moring LLP

(57) **CLAIM**

The ornamental design for a wheel or wheel cover, as shown and described.

DESCRIPTION

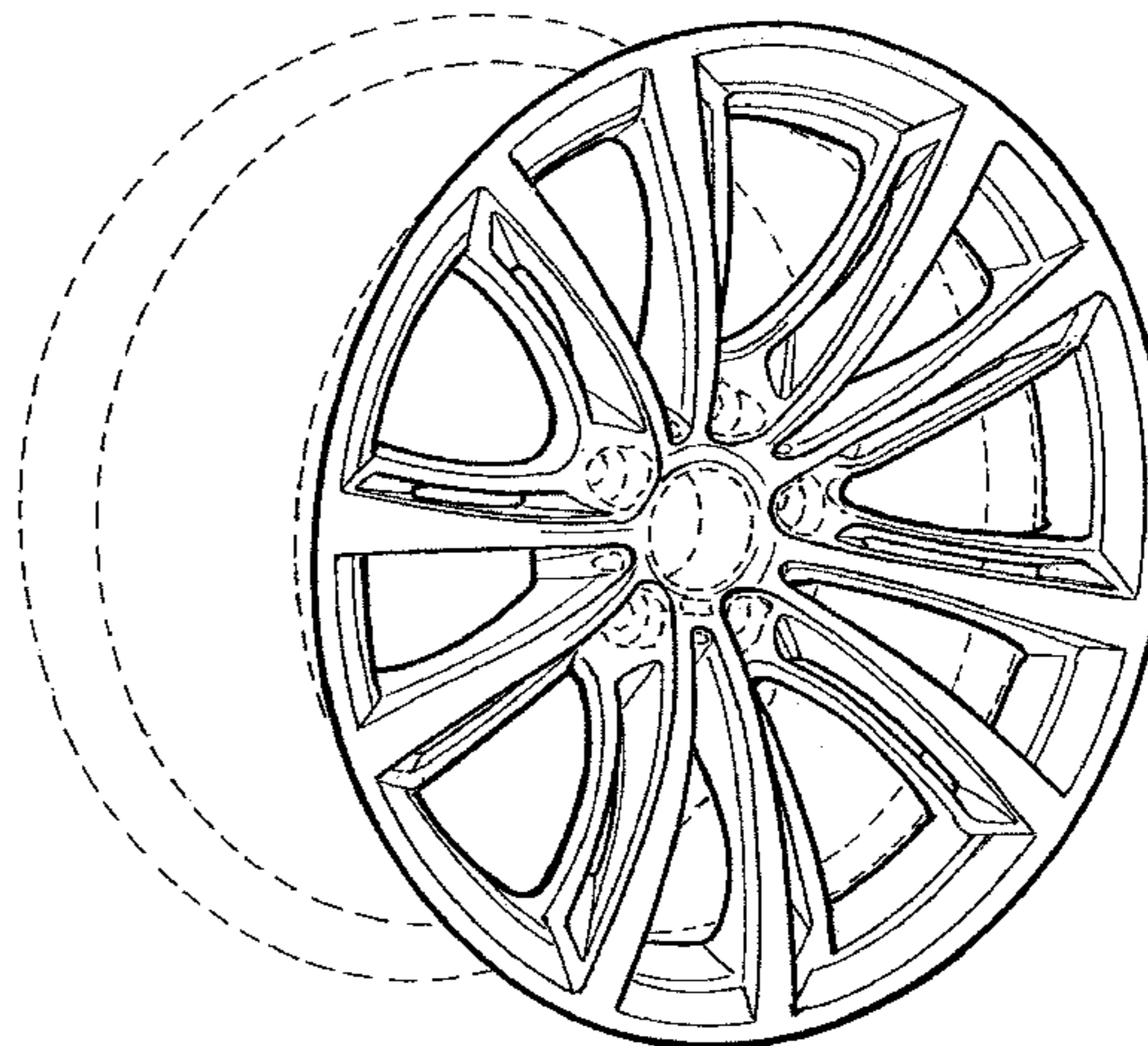
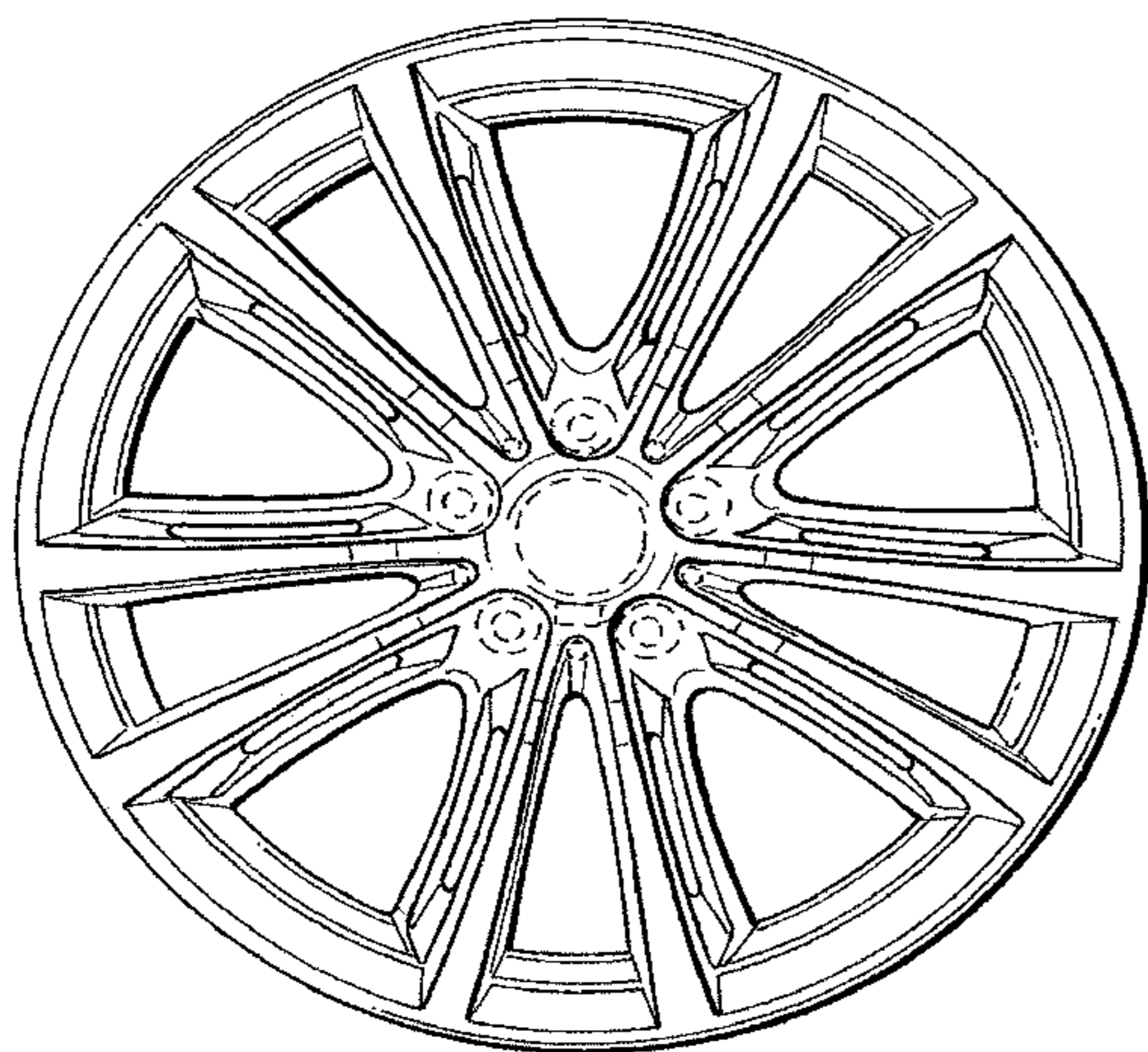
This application contains subject matter related to the following co-pending U.S. design patent application: Application Ser. No. 29/371,128, filed Oct. 27, 2010 and entitled "Wheel or Wheel Cover."

FIG. 1 is a front view of a wheel or wheel cover according to our design; and,

FIG. 2 is a perspective view thereof.

The broken line showing of the rear of the wheel, and the bolt holes and the center opening in the central hub area is included for the purpose of illustrating environment and forms no part of the claimed design.

1 Claim, 1 Drawing Sheet



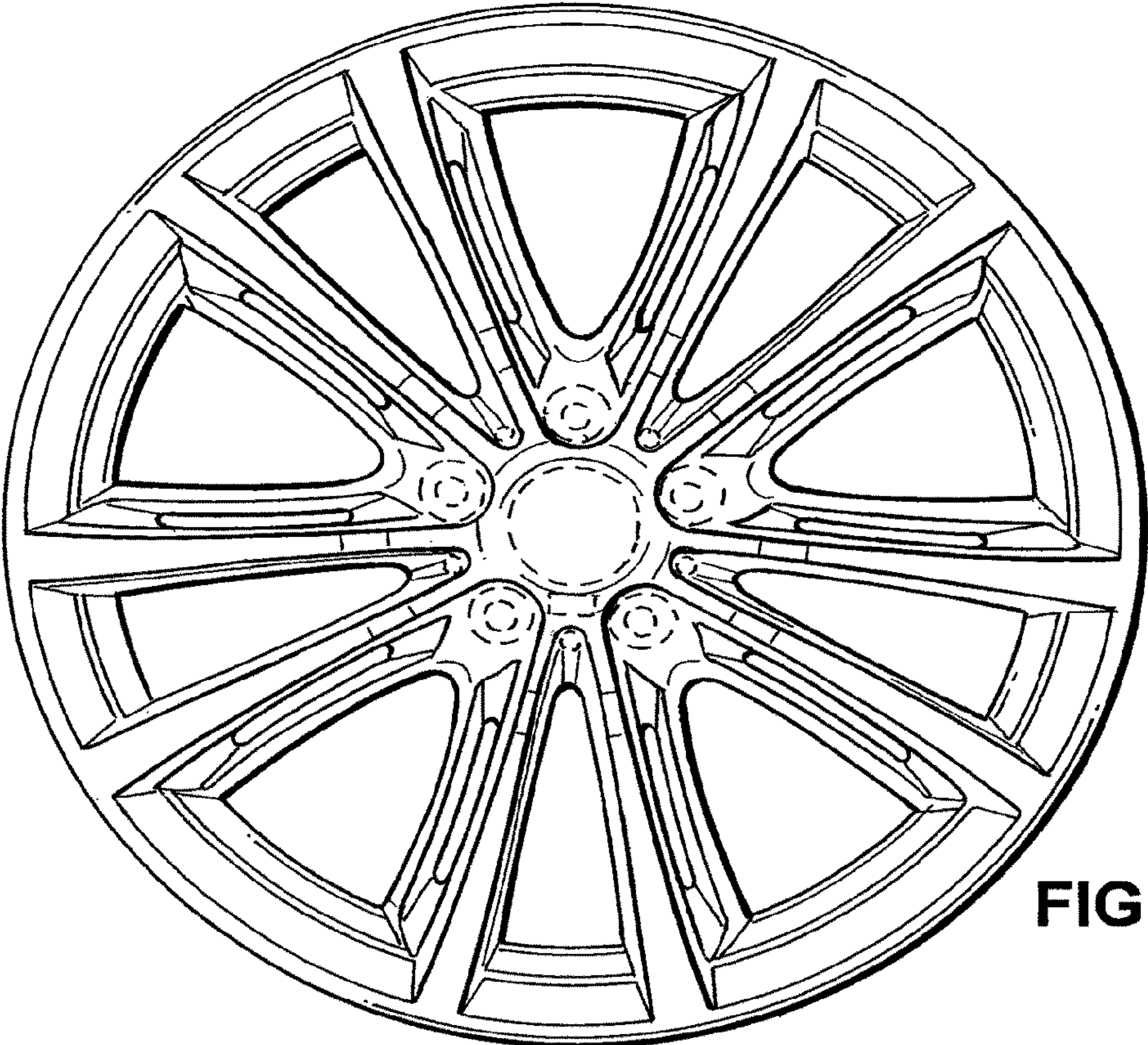


FIG. 1

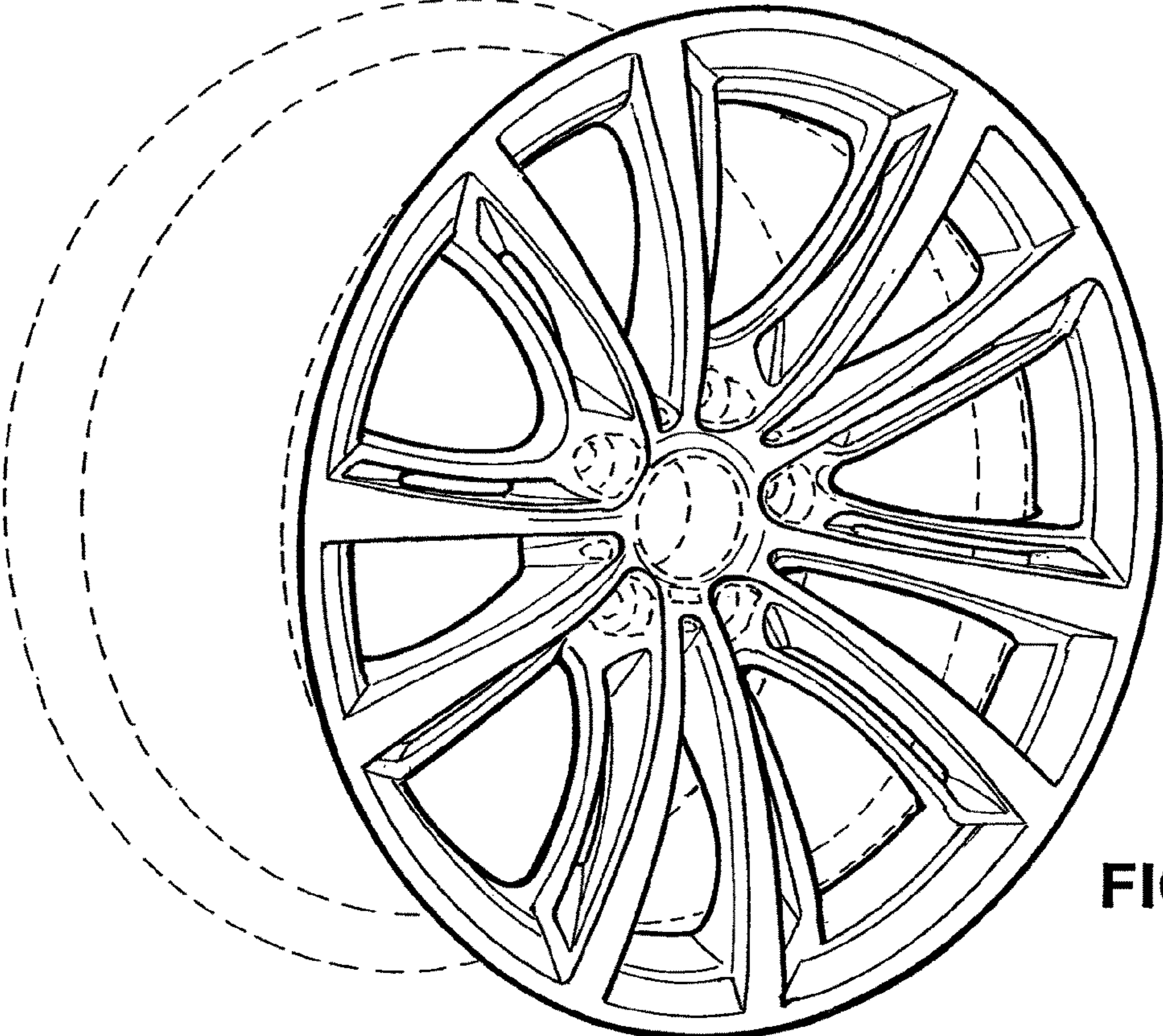


FIG. 2