



US00D663669S

(12) **United States Design Patent**
Baum

(10) **Patent No.:** **US D663,669 S**
(45) **Date of Patent:** **** Jul. 17, 2012**

(54) **WHEEL OR WHEEL COVER**

(75) Inventor: **Stephan Baum**, Olching (DE)

(73) Assignee: **Bayerische Motoren Werke Aktiengesellschaft**, Munich (DE)

(**) Term: **14 Years**

(21) Appl. No.: **29/371,385**

(22) Filed: **Jan. 26, 2011**

(30) **Foreign Application Priority Data**

Jul. 27, 2010 (DE) 402010004177

(51) **LOC (9) Cl.** **12-16**

(52) **U.S. Cl.** **D12/209**

(58) **Field of Classification Search** D12/204-213;
301/37.101, 64.101, 65, 64.201
See application file for complete search history.

(56) **References Cited**

U.S. PATENT DOCUMENTS

D502,677 S	3/2005	Baum	
D517,970 S *	3/2006	Pollmann	D12/209
D523,799 S *	6/2006	Ianniello	D12/209
D580,840 S *	11/2008	Elmitt	D12/209
D590,313 S	4/2009	Baum	
D590,318 S *	4/2009	Theiss	D12/211

D597,464 S	8/2009	Truebsbach	
D603,318 S *	11/2009	Luciani et al.	D12/209
D608,710 S	1/2010	Nissl	
D625,676 S	10/2010	Baum	
D644,976 S *	9/2011	Nissl	D12/209

FOREIGN PATENT DOCUMENTS

EM	000141791-0004	6/2004
EM	000743372-0004	3/2008
EM	000863055-0002	3/2008
EM	001049324-0002	9/2009
EM	001110902-0001	12/2009
EM	001643164-0003	10/2010
EM	001684507-0003	10/2010

* cited by examiner

Primary Examiner — Stacia Cadmus

(74) *Attorney, Agent, or Firm* — Crowell & Moring LLP

(57) **CLAIM**

The ornamental design for a wheel or wheel cover, as shown and described.

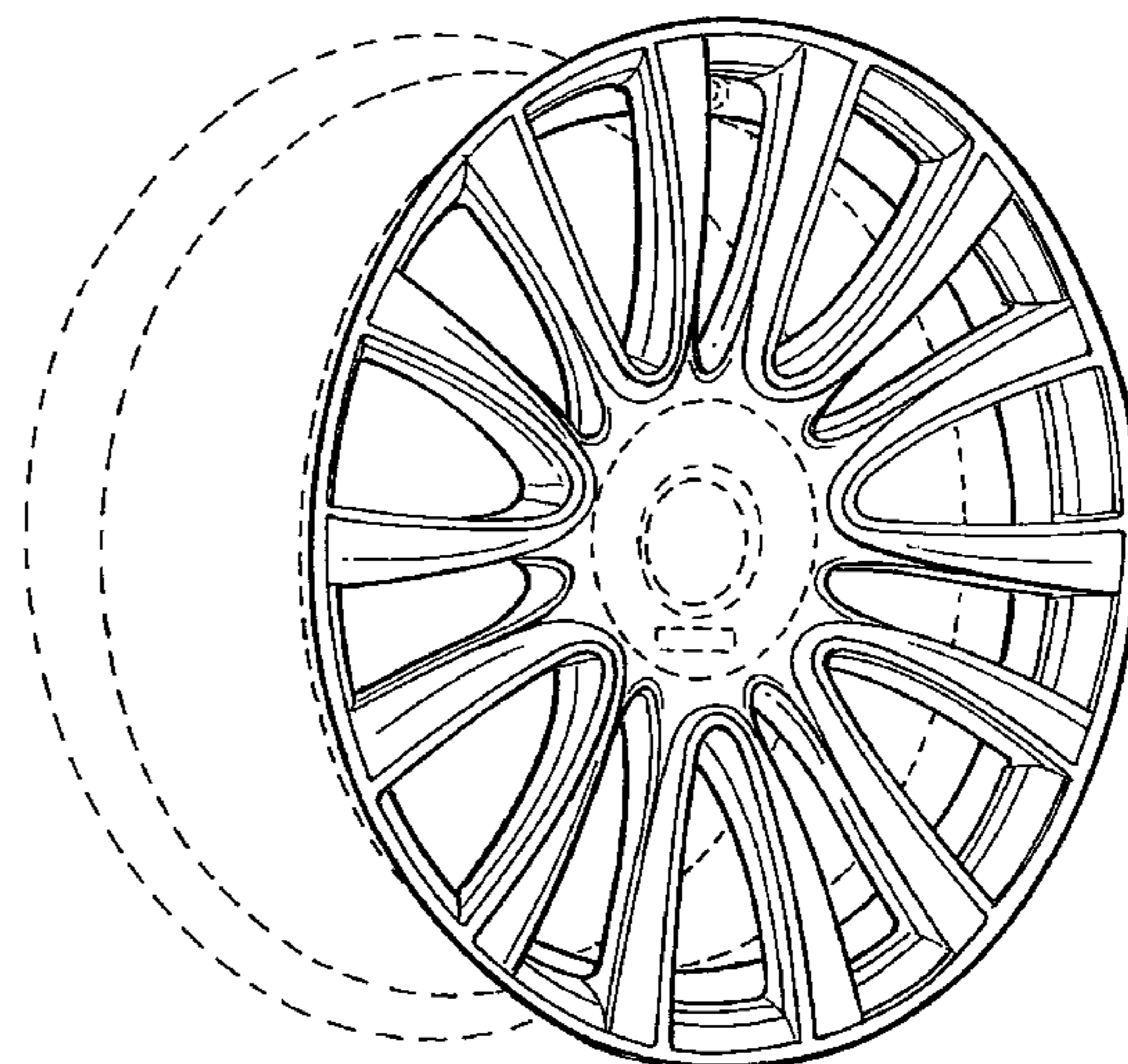
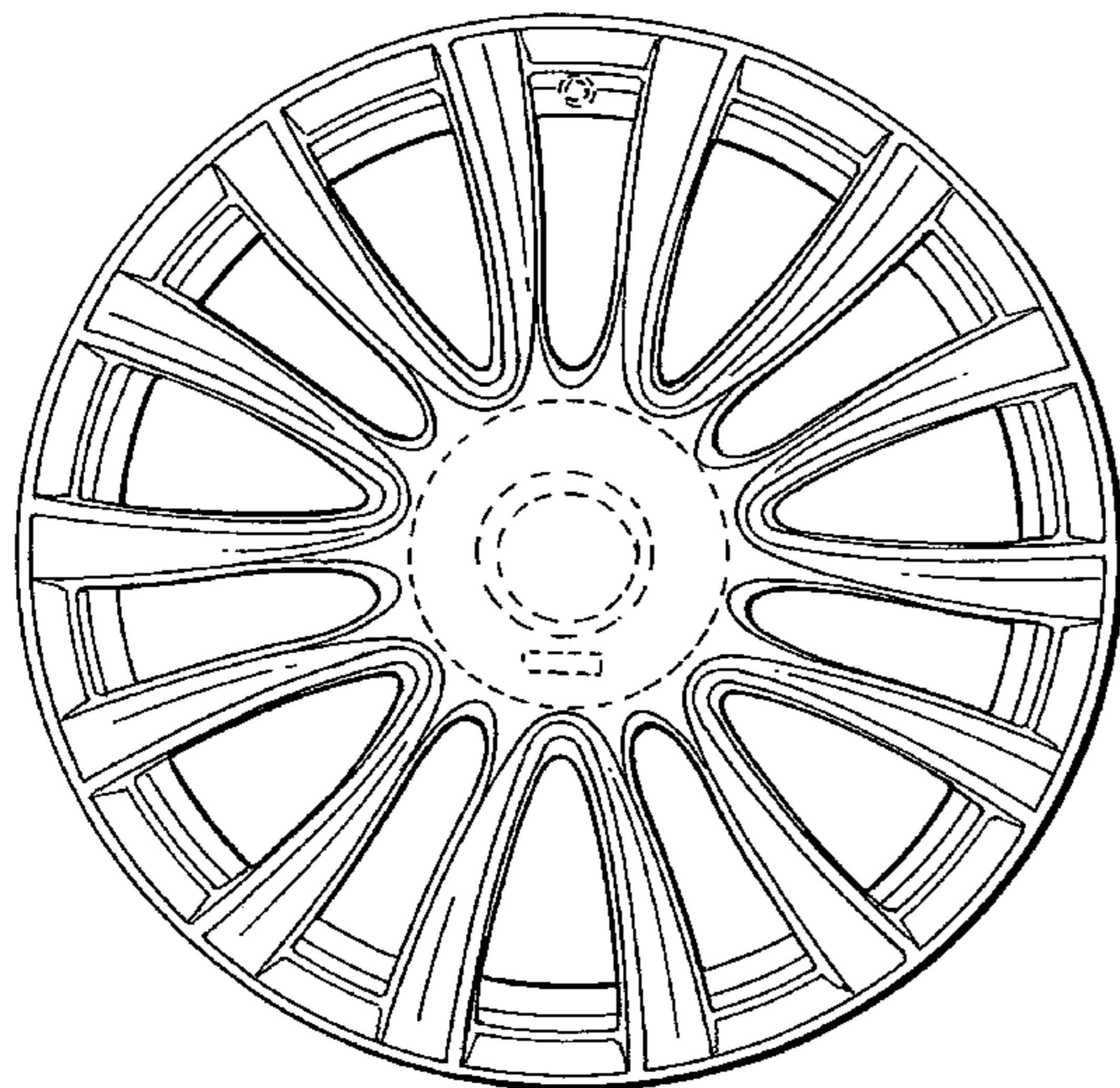
DESCRIPTION

FIG. 1 is a front view of a wheel or wheel cover according to my design; and,

FIG. 2 is a perspective view thereof.

The broken line showing of the rear of the wheel, the valve stem hole and the central hub area is included for the purpose of illustrating environment and forms no part of the claimed design.

1 Claim, 1 Drawing Sheet



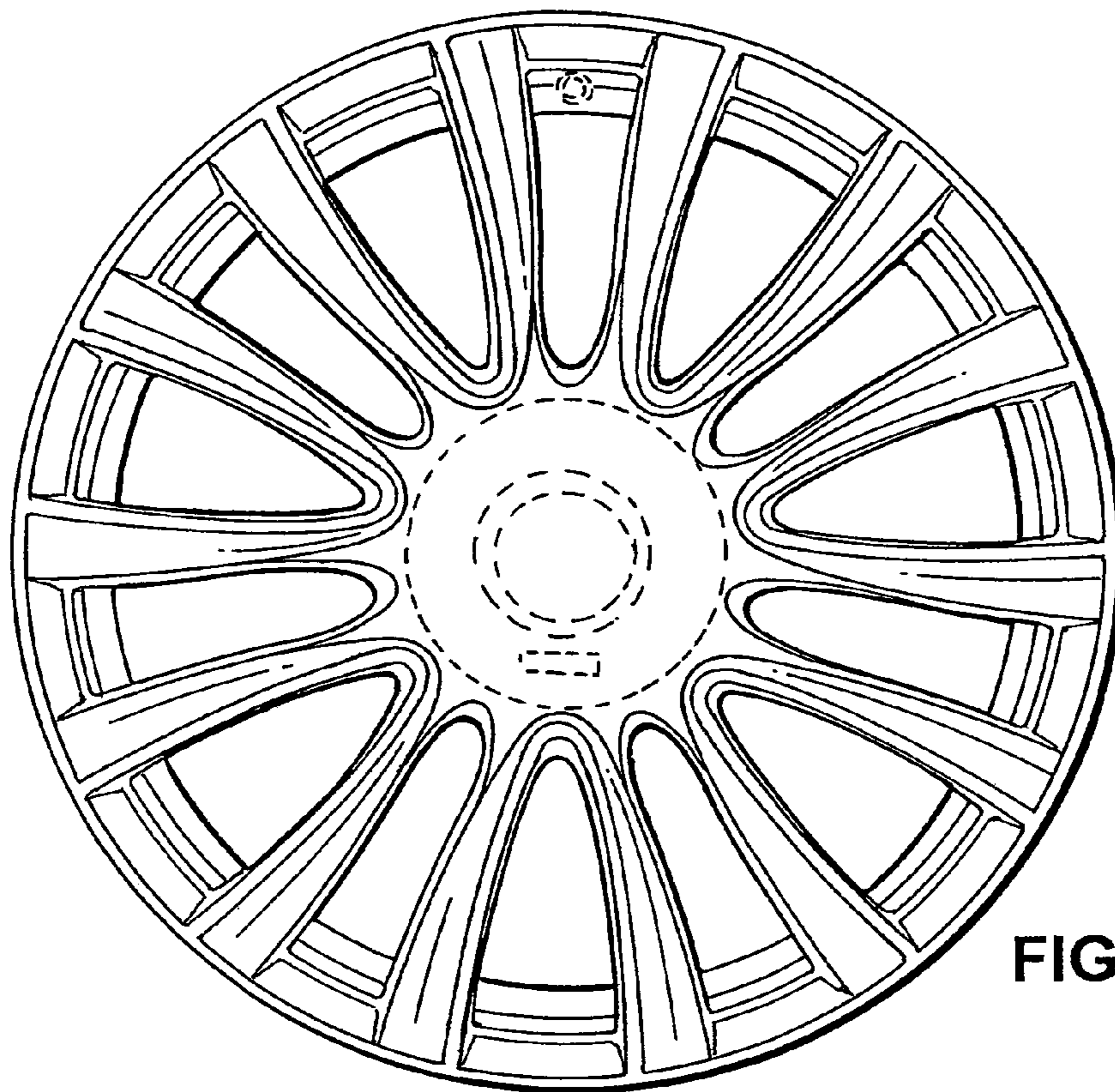


FIG. 1

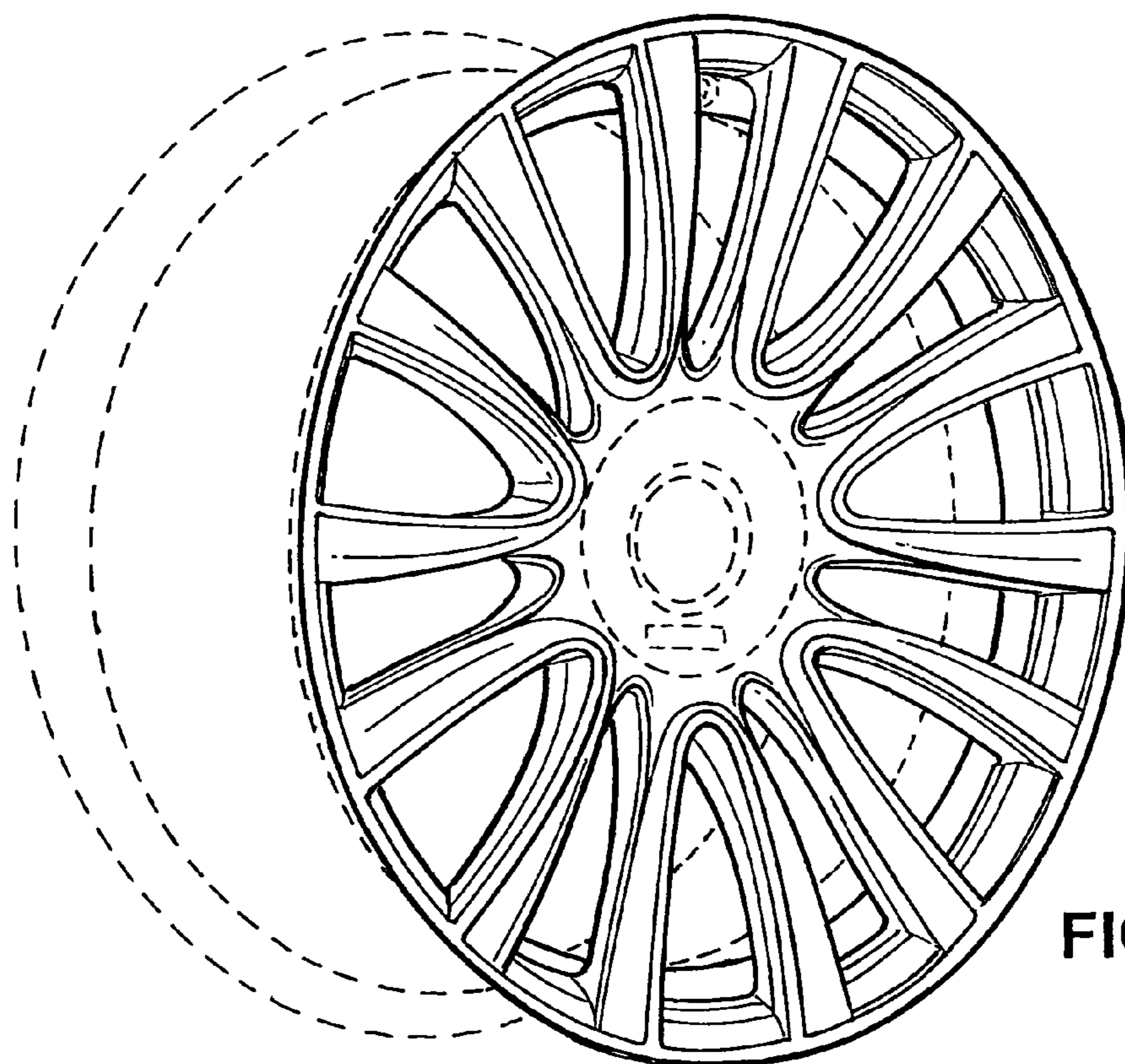


FIG. 2