

US00D663668S

(12) **United States Design Patent**  
**Pollmann**

(10) **Patent No.:** **US D663,668 S**  
(45) **Date of Patent:** **\*\* Jul. 17, 2012**

(54) **WHEEL OR WHEEL COVER**

(75) Inventor: **Gert Pollmann**, Boehmfeld (DE)

(73) Assignee: **Bayerische Motoren Werke Aktiengesellschaft**, Munich (DE)

(\*\*) Term: **14 Years**

(21) Appl. No.: **29/347,964**

(22) Filed: **Aug. 20, 2010**

(30) **Foreign Application Priority Data**

Feb. 22, 2010 (DE) ..... 402010001117

(51) **LOC (9) Cl.** ..... **12-16**

(52) **U.S. Cl.** ..... **D12/209**

(58) **Field of Classification Search** ..... D12/204-213;  
301/37.101, 64.101, 65, 64.201

See application file for complete search history.

(56) **References Cited**

**U.S. PATENT DOCUMENTS**

D432,974 S	10/2000	Jablonski	
D488,420 S *	4/2004	Murkett et al.	D12/209
D513,487 S	1/2006	Wachtler	
D522,432 S *	6/2006	Pfeiffer	D12/209
D522,434 S *	6/2006	Langer	D12/209
D539,204 S	3/2007	Pollmann	

D590,314 S *	4/2009	Hettler	D12/209
D597,919 S *	8/2009	Atwell	D12/211
D598,834 S	8/2009	Juergens et al.	
D620,862 S *	8/2010	Pollmann	D12/209
D645,390 S *	9/2011	De Bono	D12/209
D649,103 S *	11/2011	Gallert	D12/211

**FOREIGN PATENT DOCUMENTS**

DE	M9707122.6	1/1998
EM	000141791-0007	6/2004
EM	000255609-0001	2/2005
EM	000440813-0002	1/2006
EM	000735758-0004	7/2007
EM	001023915-0001	4/2010

\* cited by examiner

*Primary Examiner* — Stacia Cadmus

(74) *Attorney, Agent, or Firm* — Crowell & Moring LLP

(57) **CLAIM**

The ornamental design for a wheel or wheel cover, as shown and described.

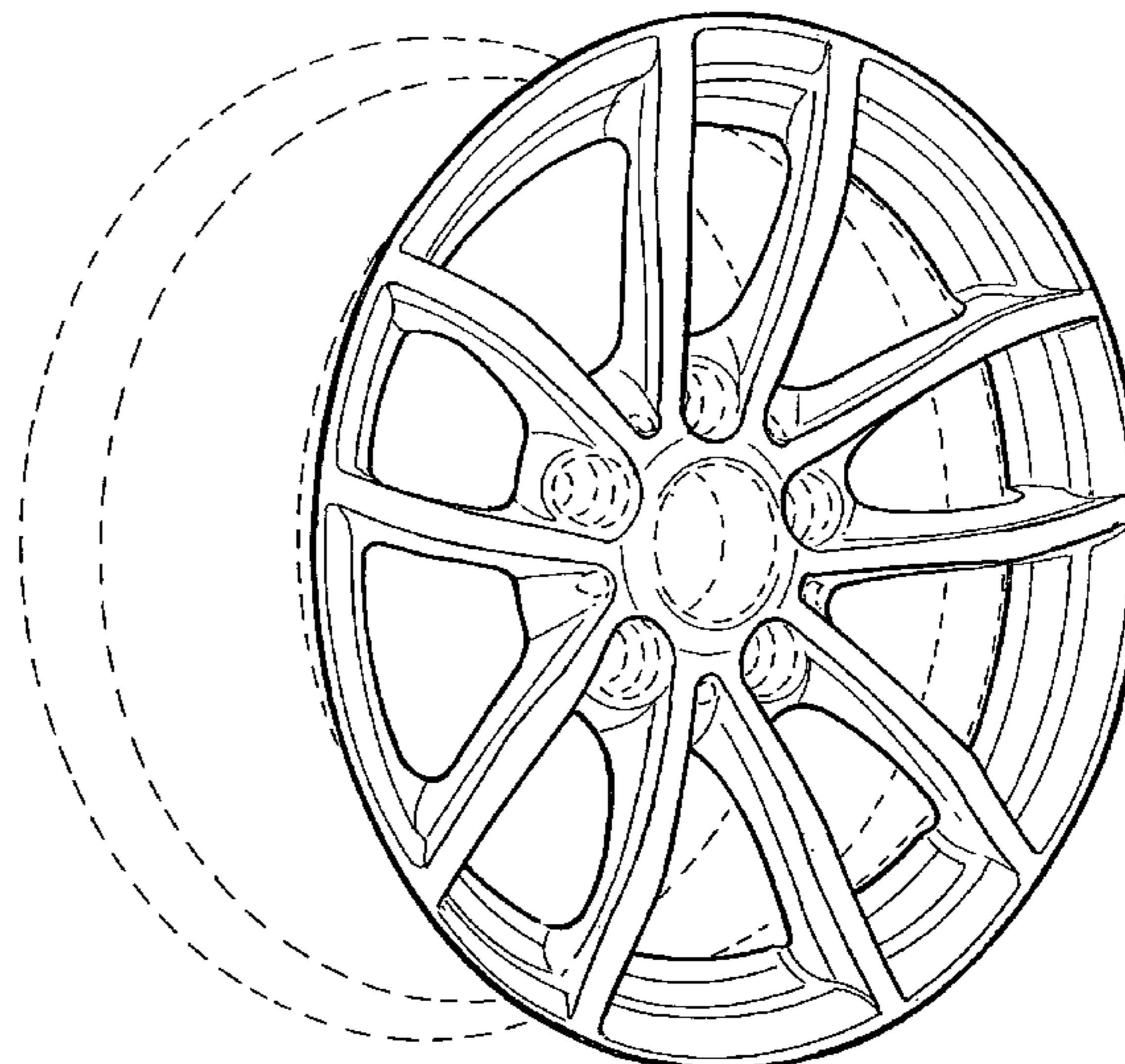
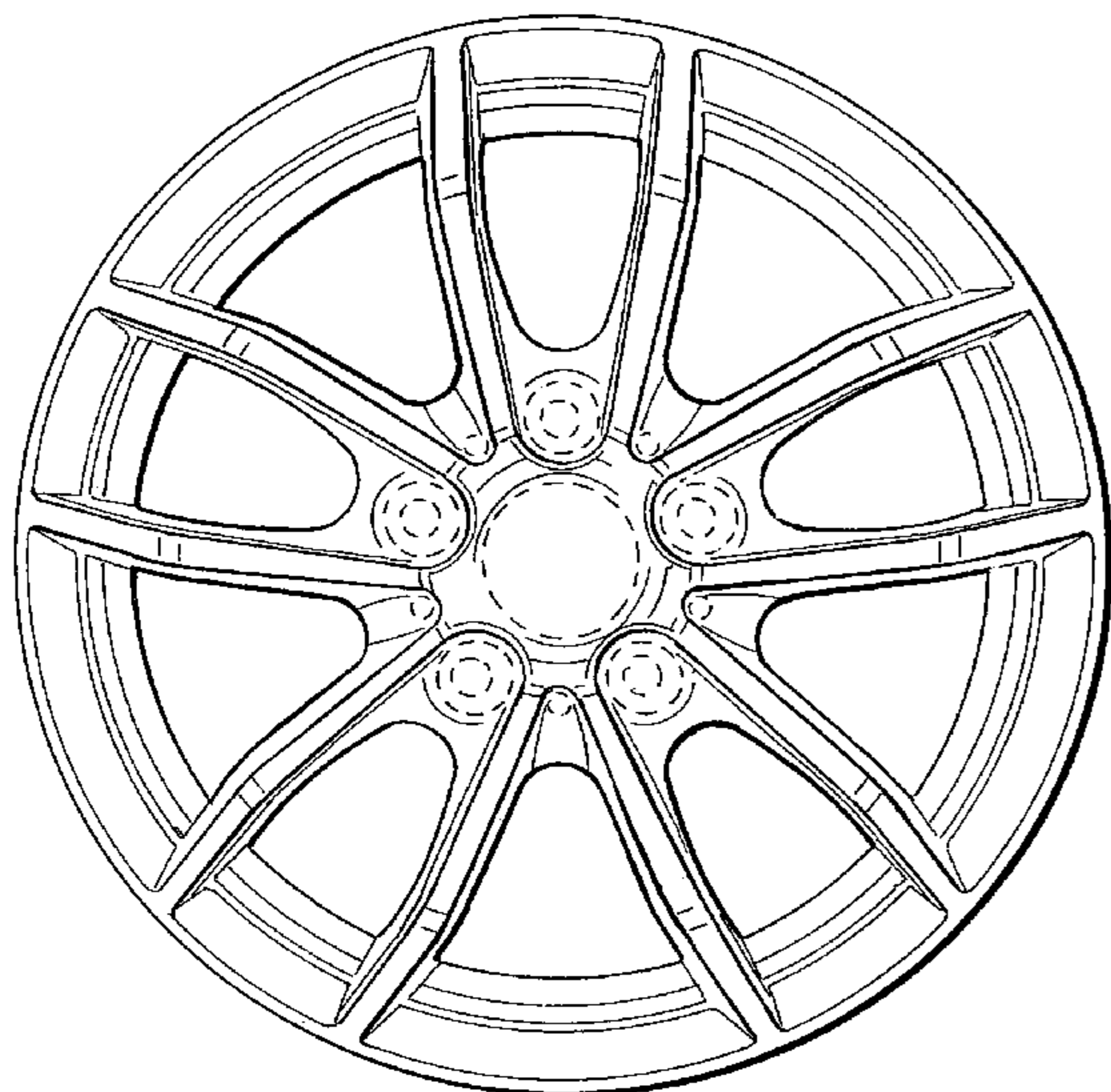
**DESCRIPTION**

FIG. 1 is a front view of a wheel or wheel cover according to my design; and,

FIG. 2 is a perspective view thereof.

The broken line showing of the rear of the wheel, and the bolt holes and the center opening in the central hub area is included for the purpose of illustrating environment and forms no part of the claimed design.

**1 Claim, 1 Drawing Sheet**



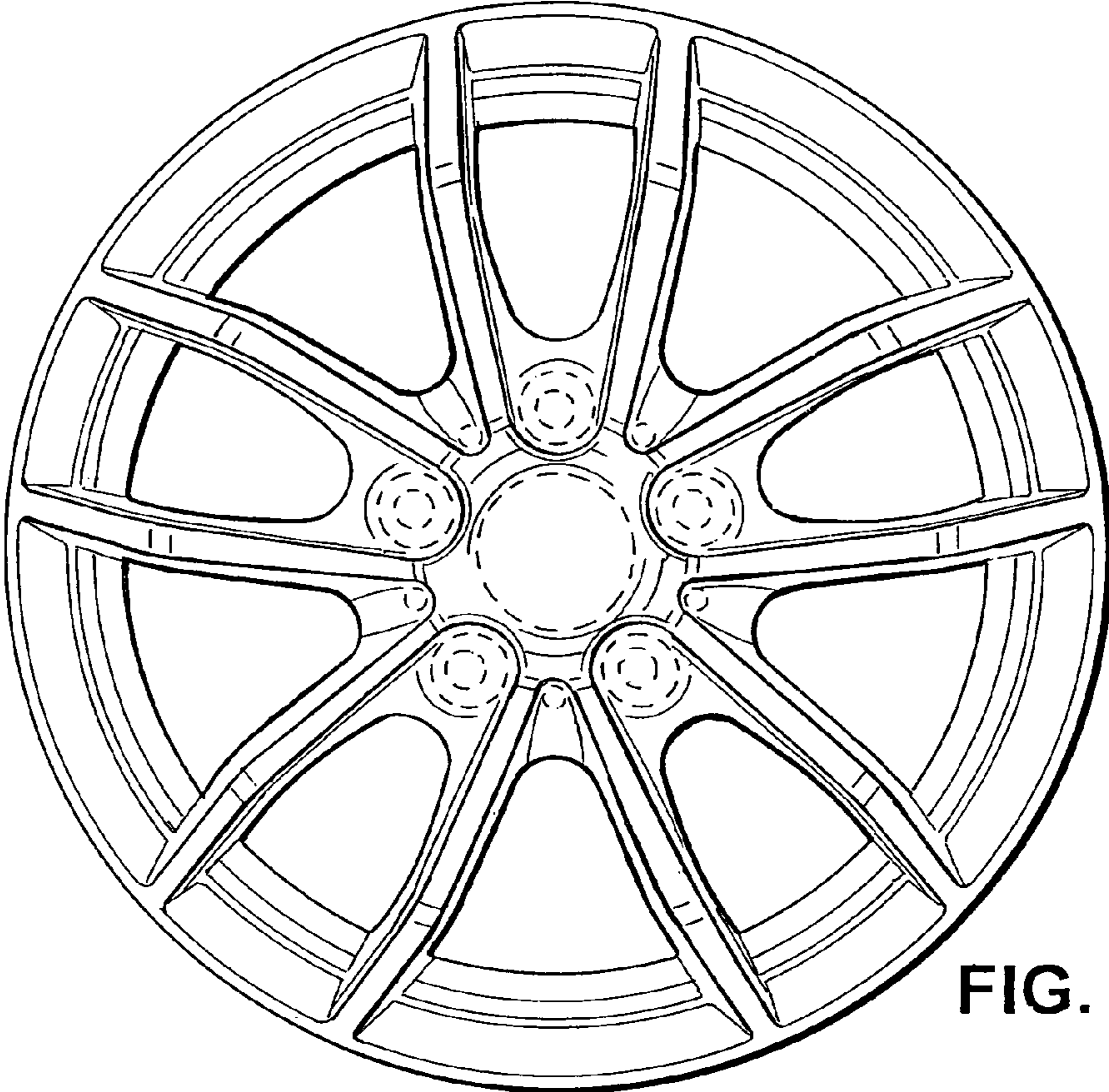


FIG. 1

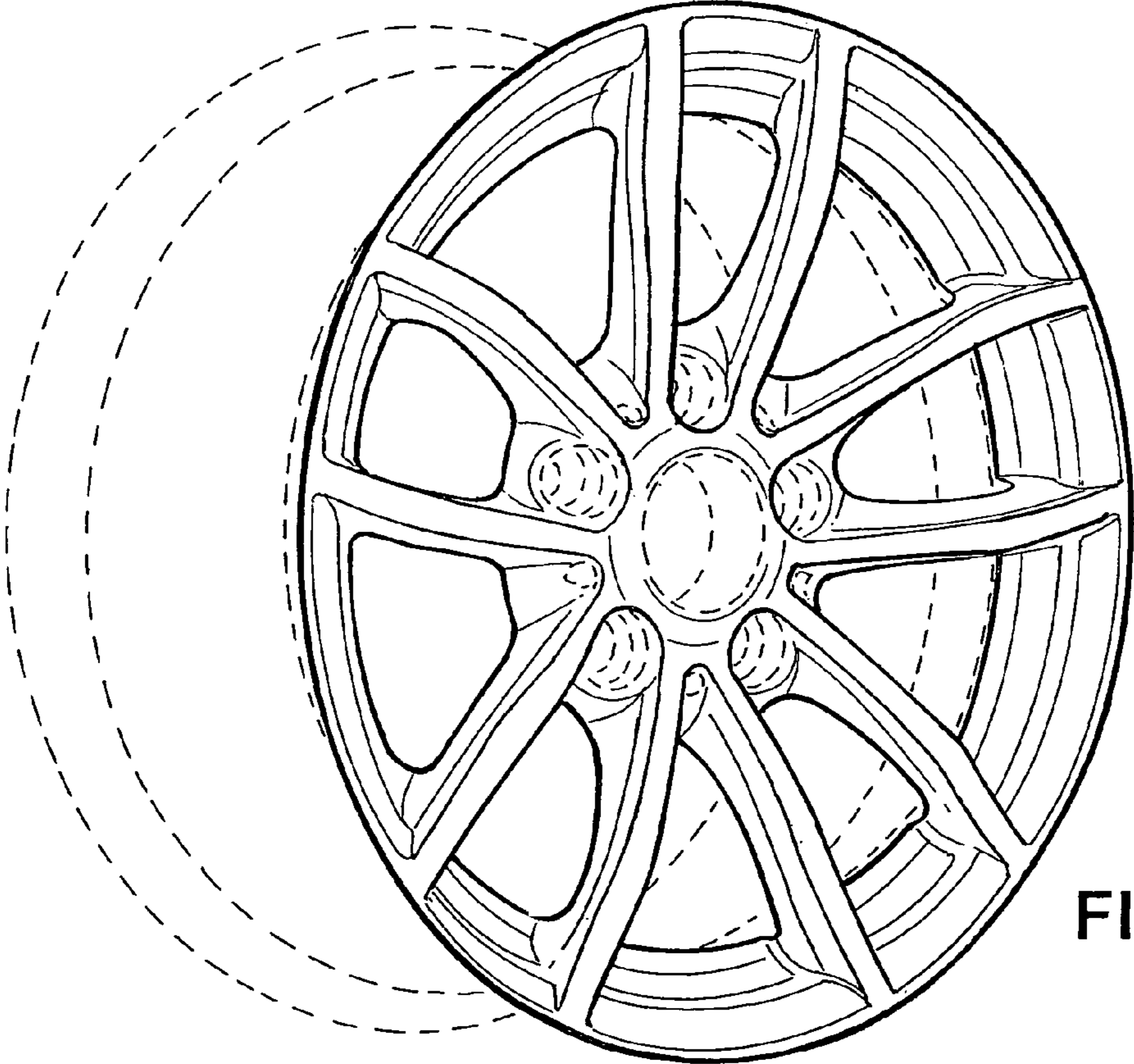


FIG. 2