



US00D663667S

(12) **United States Design Patent**  
**Yang**

(10) **Patent No.:** **US D663,667 S**

(45) **Date of Patent:** **\*\* Jul. 17, 2012**

(54) **VEHICLE FLOOR MAT**

(75) Inventor: **Ming-Shun Yang**, Taipei (TW)

(73) Assignee: **Formosa Saint Jose Corp.**, Taipei (TW)

(\*\*) Term: **14 Years**

(21) Appl. No.: **29/400,117**

(22) Filed: **Aug. 23, 2011**

(51) **LOC (9) Cl.** ..... **12-16**

(52) **U.S. Cl.** ..... **D12/203**

(58) **Field of Classification Search** ..... D12/203;  
D6/582-586, 592-594; 280/163-164.1;  
15/215-217; 428/138.141; 296/97.23

See application file for complete search history.

(56) **References Cited**

**U.S. PATENT DOCUMENTS**

D408,342 S *	4/1999	Yang	.....	D12/203
D442,530 S *	5/2001	Lu	.....	D12/203
D467,532 S *	12/2002	Kraines	.....	D12/203
D469,726 S *	2/2003	Kraines	.....	D12/203
D489,306 S *	5/2004	Kraines	.....	D12/203
D509,174 S *	9/2005	Hussaini et al.	.....	D12/203
D514,493 S *	2/2006	MacNeil	.....	D12/203

D522,428 S *	6/2006	MacNeil	.....	D12/203
D529,852 S *	10/2006	Thom	.....	D12/203
D584,671 S *	1/2009	Hsu	.....	D12/203

\* cited by examiner

*Primary Examiner* — Stacia Cadmus

(74) *Attorney, Agent, or Firm* — Pro-Tehtor Int'l Services

(57) **CLAIM**

The ornamental design for the vehicle floor mat, as shown and described.

**DESCRIPTION**

FIG. 1 is a perspective view of the a vehicle floor mat showing my new design.

FIG. 2 is a front elevational view thereof;

FIG. 3 is a rear elevational view thereof;

FIG. 4 is a left elevational view thereof;

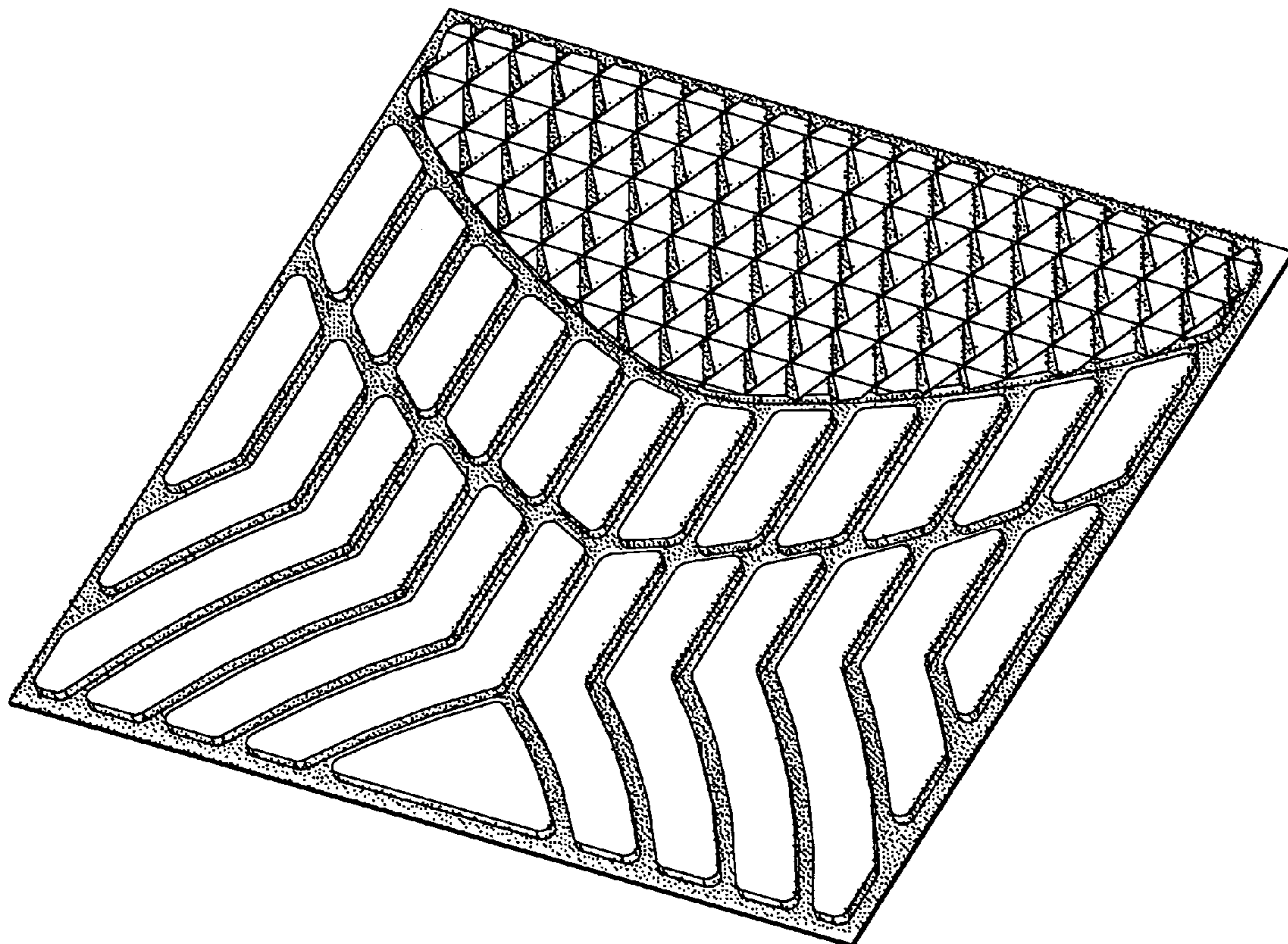
FIG. 5 is a right elevational view thereof;

FIG. 6 is a top plan view thereof; and,

FIG. 7 is a front perspective view of a vehicle floor mat with the claimed pattern showing my design.

The broken line showing of the vehicle floor mat is for illustrative purposes only and forms no part of the claimed design.

**1 Claim, 5 Drawing Sheets**



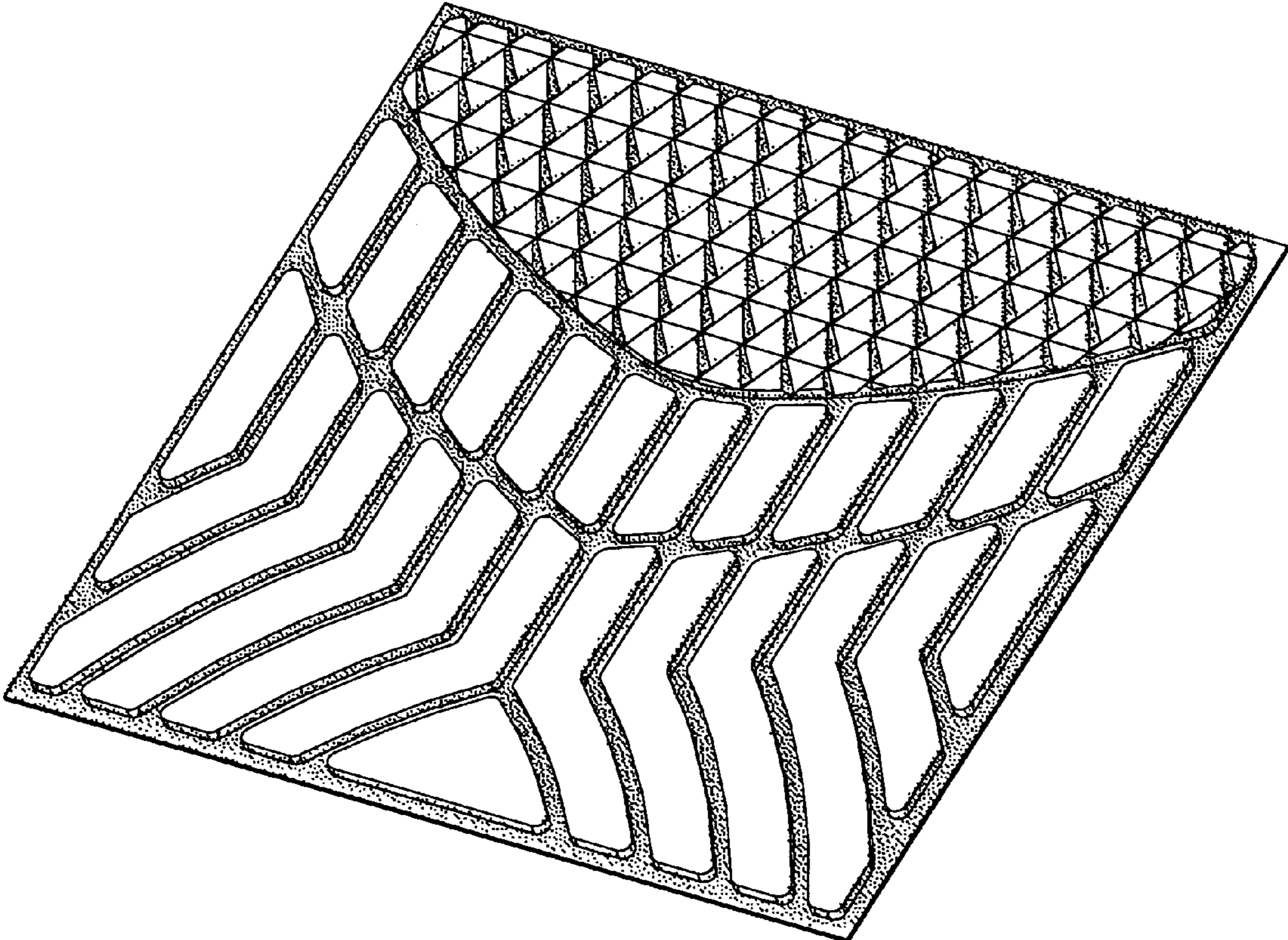


FIG. 1

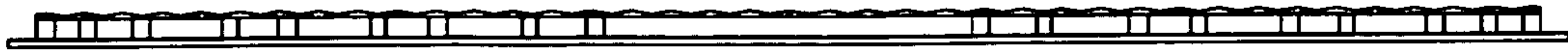


FIG. 2



FIG. 3

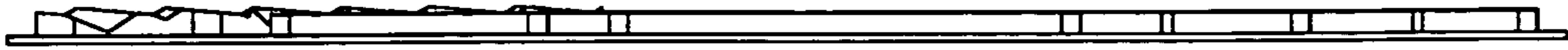


FIG. 4

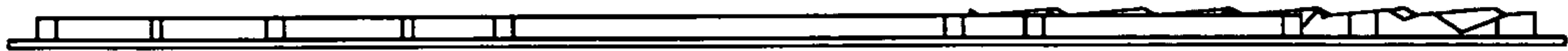


FIG. 5

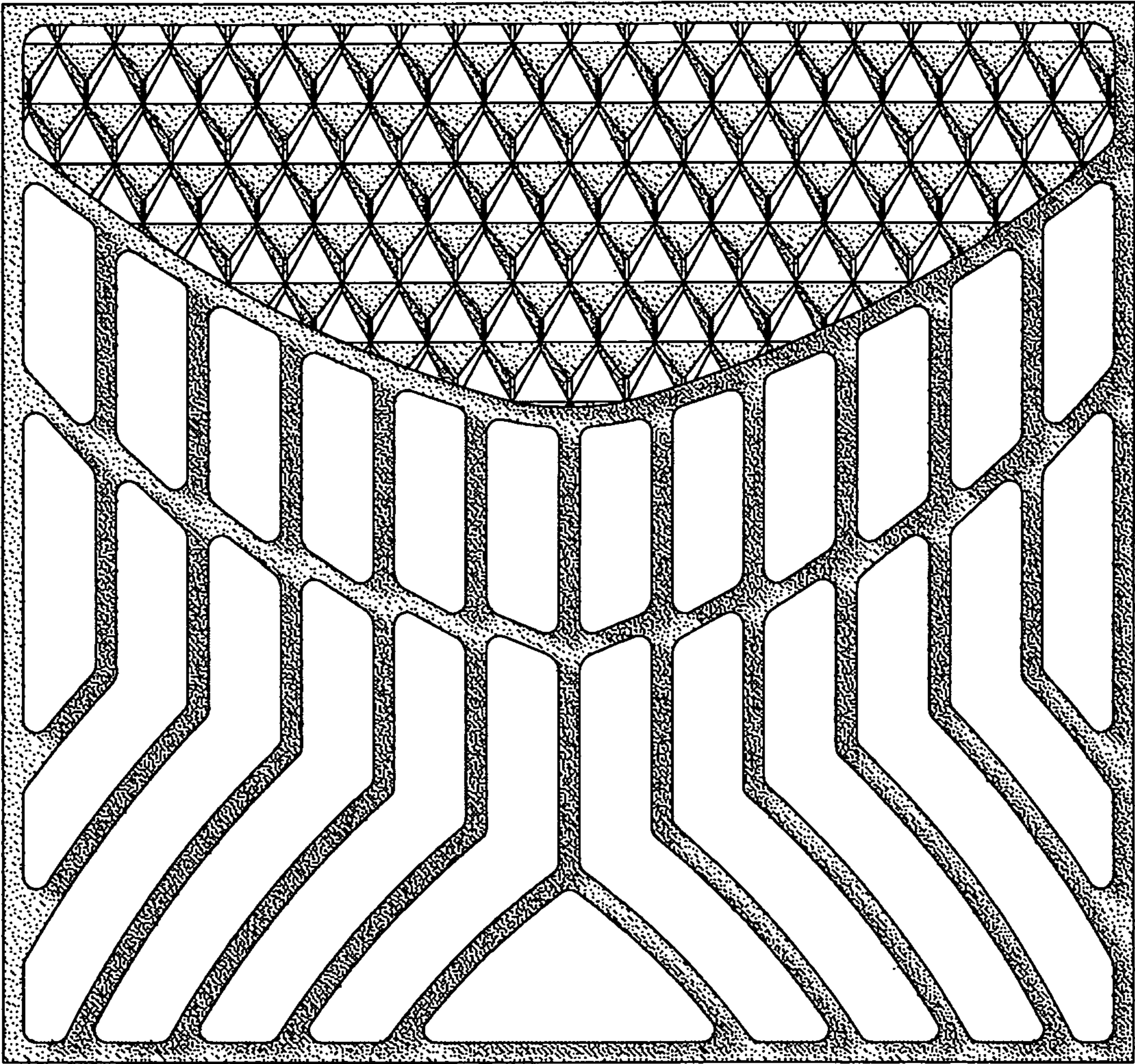


FIG. 6

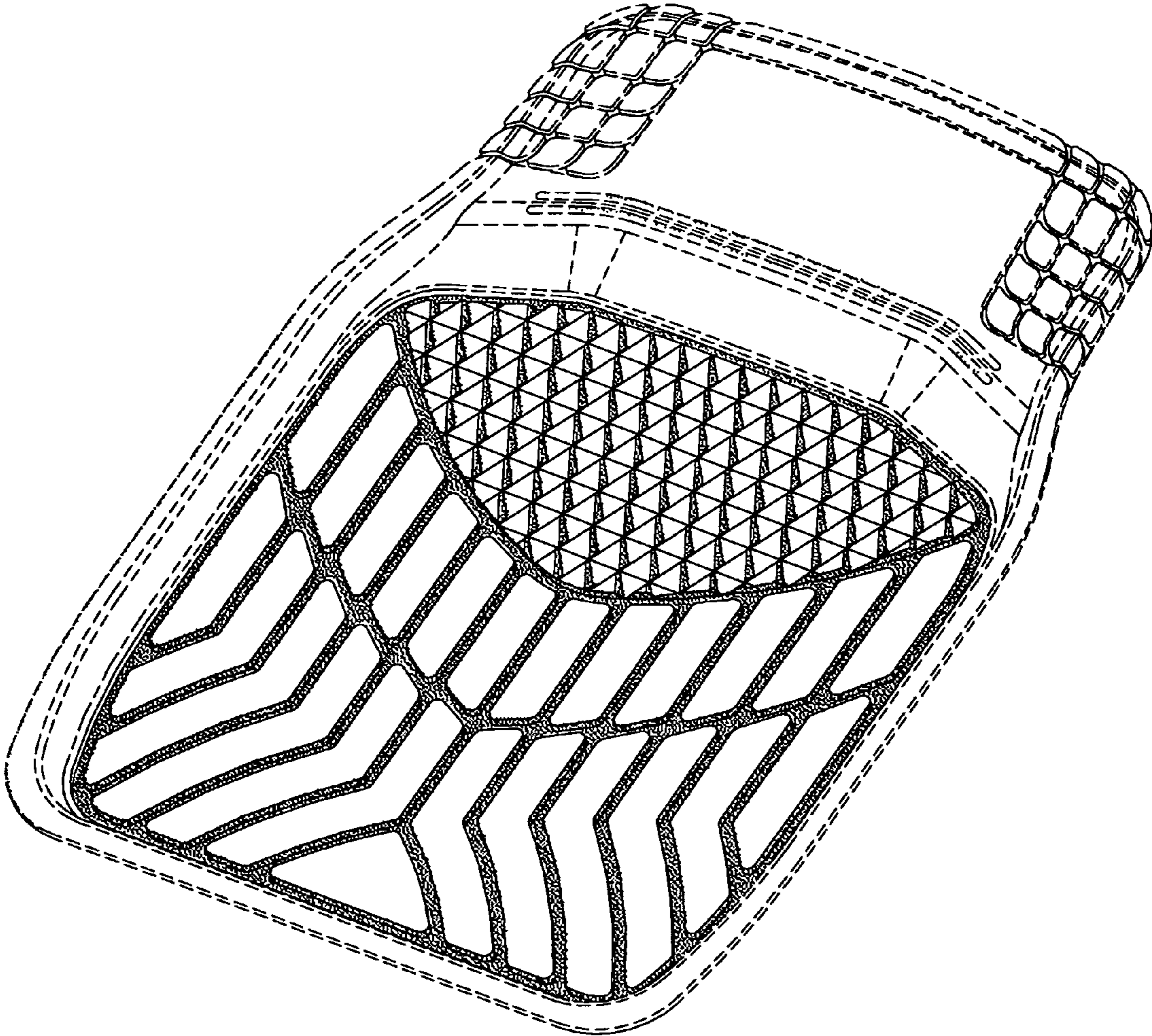


FIG. 7