

US00D663661S

(12) **United States Design Patent**
Ross

(10) **Patent No.:** **US D663,661 S**

(45) **Date of Patent:** **** *Jul. 17, 2012**

(54) **MOTORCYCLE COVER**

(76) Inventor: **Bobby Lou Ross**, Sterling, VA (US)

(*) Notice: This patent is subject to a terminal disclaimer.

(**) Term: **14 Years**

(21) Appl. No.: **29/394,908**

(22) Filed: **Jun. 22, 2011**

(51) **LOC (9) Cl.** **12-16**

(52) **U.S. Cl.** **D12/186**

(58) **Field of Classification Search** D12/181,
D12/184-186, 110, 410, 114, 126; 280/847-852,
280/160.1, 152.1-152.3, 770; 296/78.1,
296/95.1, 198, 192, 193.05; 293/105; 180/219,
180/220

See application file for complete search history.

(56) **References Cited**

U.S. PATENT DOCUMENTS

481,053	A	8/1892	Owen	
2,237,677	A	4/1941	Lewis	
D171,250	S	1/1954	Courtney	
4,441,574	A	4/1984	Kohyama et al.	
4,479,676	A *	10/1984	Hayes	296/78.1
D313,207	S	12/1990	Yamada et al.	
D321,160	S *	10/1991	Kingsley	D12/184
D345,332	S *	3/1994	Roman	D12/184
D345,333	S *	3/1994	Roman	D12/184
D346,577	S *	5/1994	Roman	D12/184
D377,158	S	1/1997	Grimaldi	
D405,038	S *	2/1999	LeBlanc	D12/184
5,957,233	A *	9/1999	Hylla	180/219
D442,893	S *	5/2001	Golden et al.	D12/114
D476,927	S *	7/2003	Delgado	D12/167

D477,257	S *	7/2003	Delgado	D12/167
6,695,330	B2	2/2004	Hata	
D489,030	S *	4/2004	Pittam et al.	D12/186
D499,995	S	12/2004	Ban et al.	
D513,723	S	1/2006	Sawabe et al.	
D519,427	S *	4/2006	Haddock	D12/186

OTHER PUBLICATIONS

eGlideGoodies; website: <http://eglidegoodies.com/id257.html>;
printed Jun. 15, 2011; 2 pages.

* cited by examiner

Primary Examiner — Susan M Lee

Assistant Examiner — Linda G. Brooks

(74) *Attorney, Agent, or Firm* — Premier Law Group, PLLC;
Christopher Wood

(57) **CLAIM**

The ornamental design for a motorcycle cover, as shown and described.

DESCRIPTION

FIG. 1 is an environmental front view of the motorcycle cover showing my new design;

FIG. 2 is a rear perspective view of the motorcycle cover;

FIG. 3 is a front perspective view of the motorcycle cover;

FIG. 4 is a front elevation view thereof

FIG. 5 is a rear elevation view thereof;

FIG. 6 is a first end view thereof;

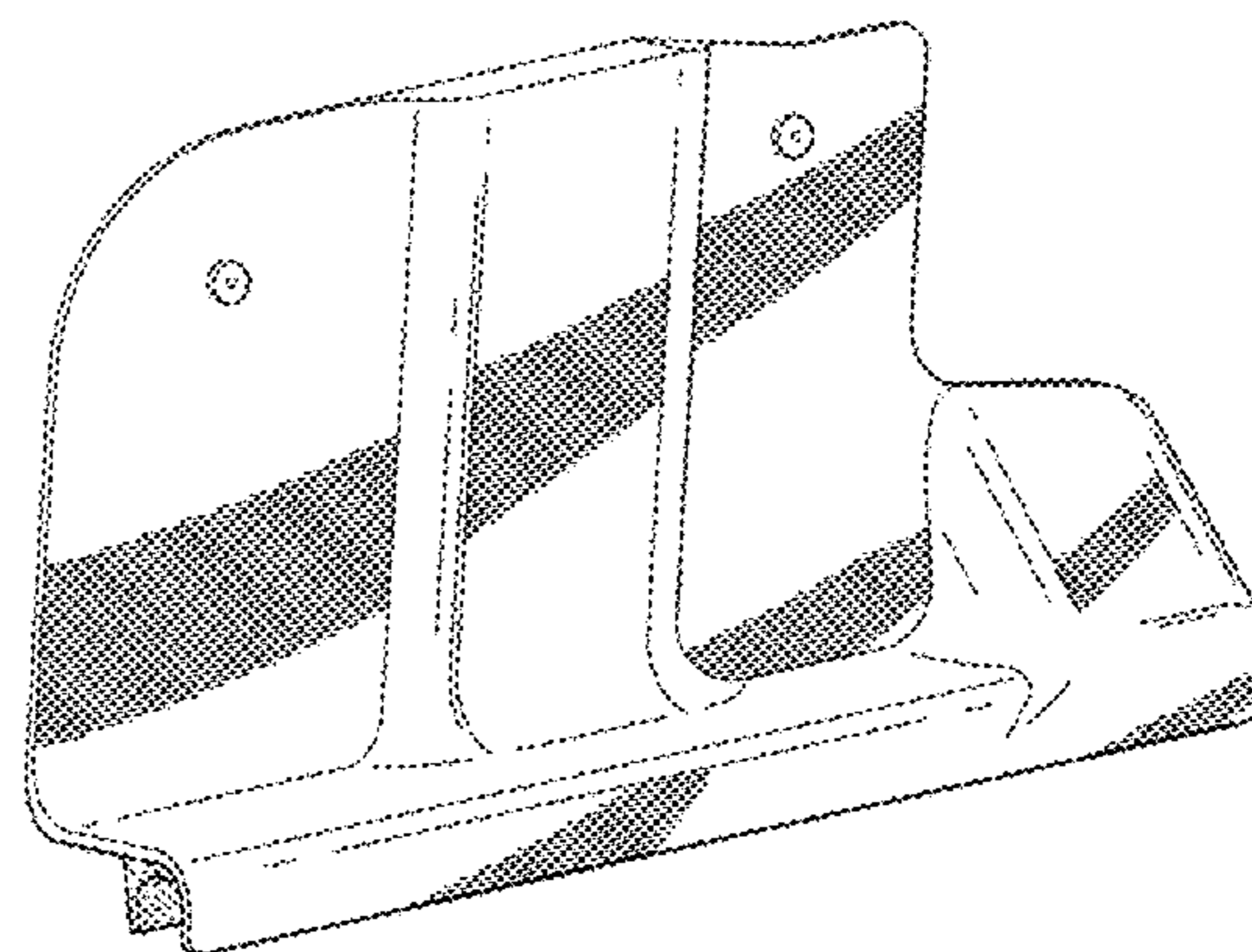
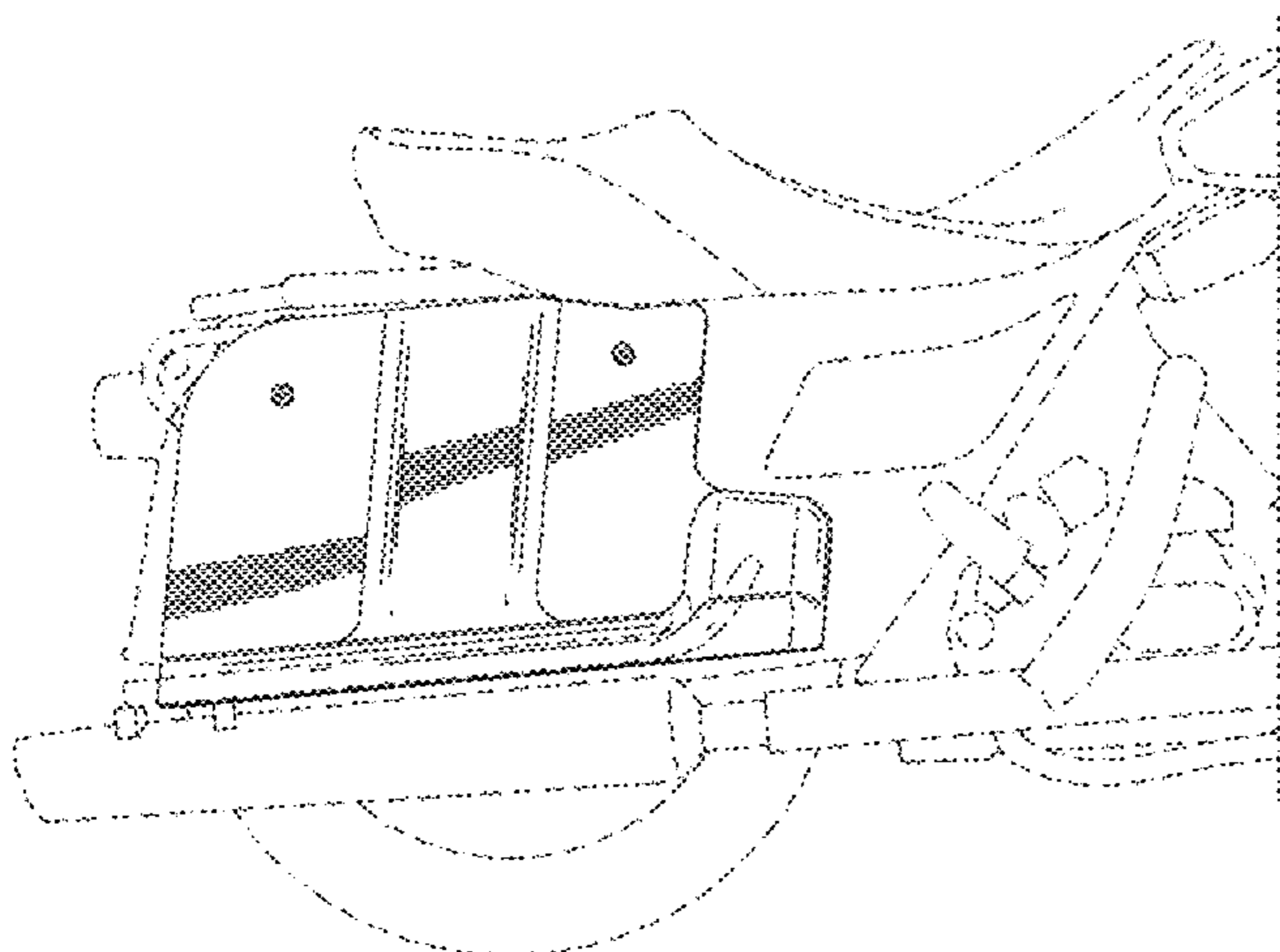
FIG. 7 is a second end view thereof;

FIG. 8 is a top view thereof; and,

FIG. 9 is a bottom view thereof.

The motorcycle shown in broken lines in FIG. 1 is included for the purpose of illustrating environment and forms no part of the claimed design.

1 Claim, 7 Drawing Sheets



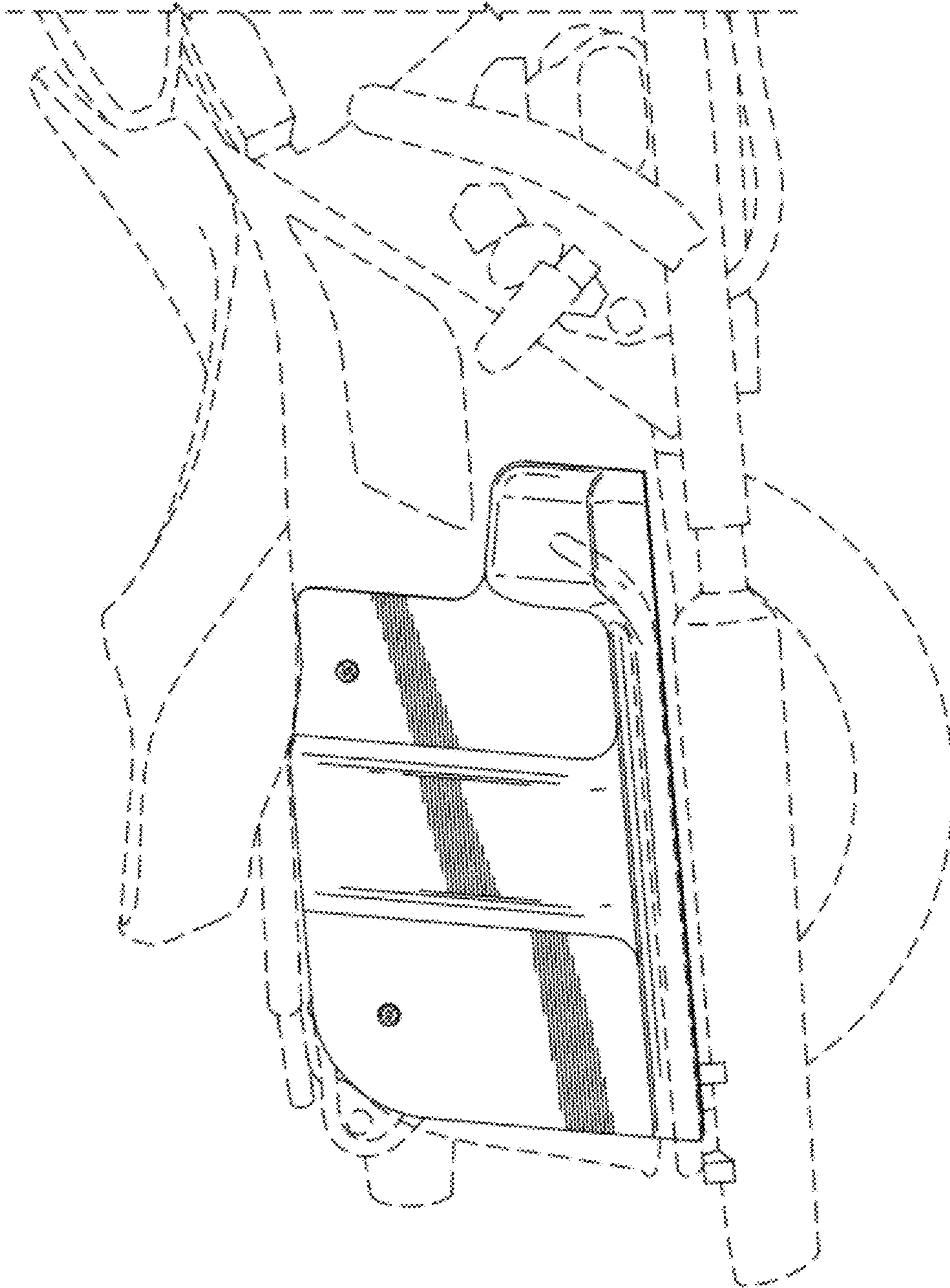


FIG. 1

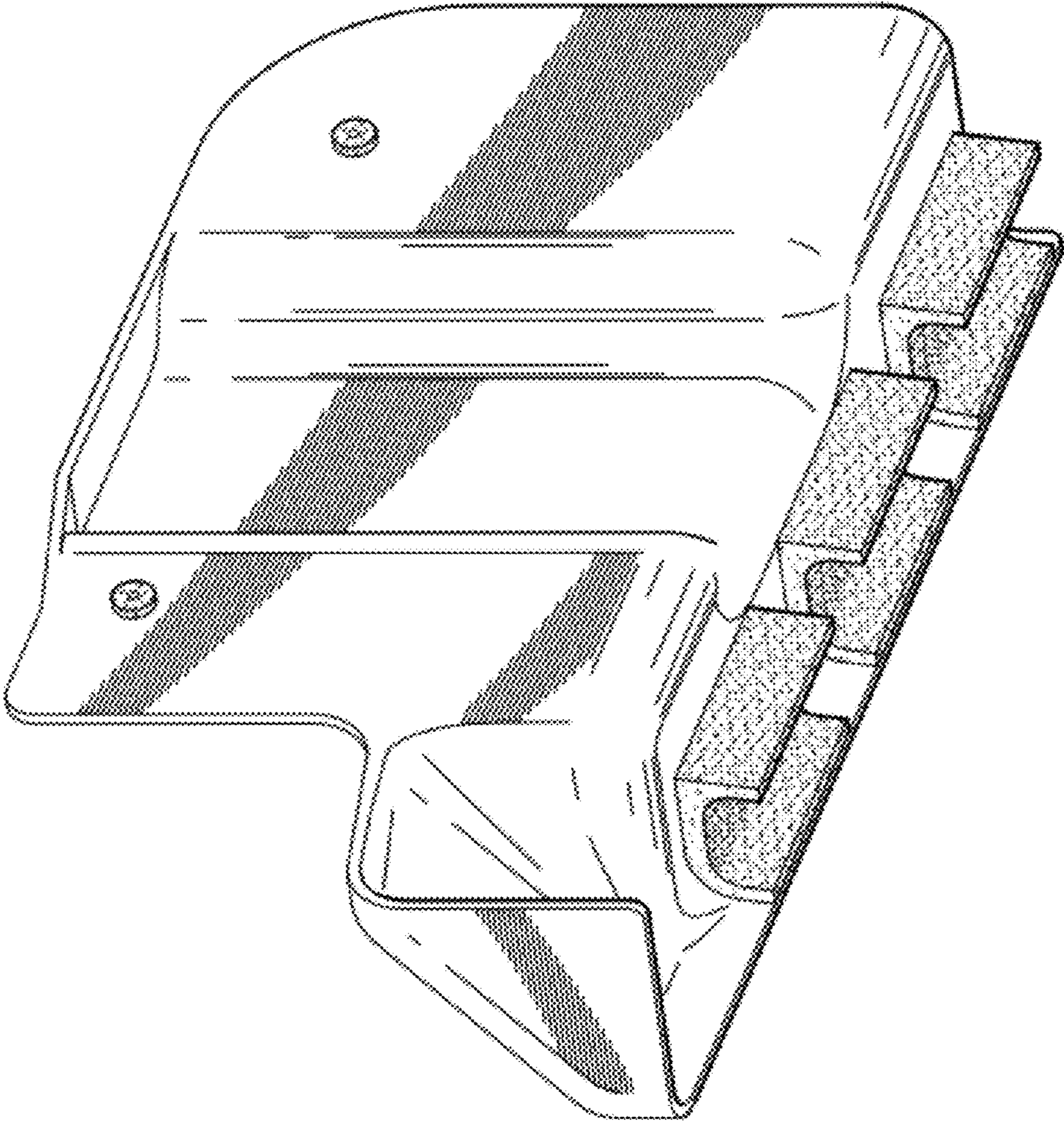


FIG. 2

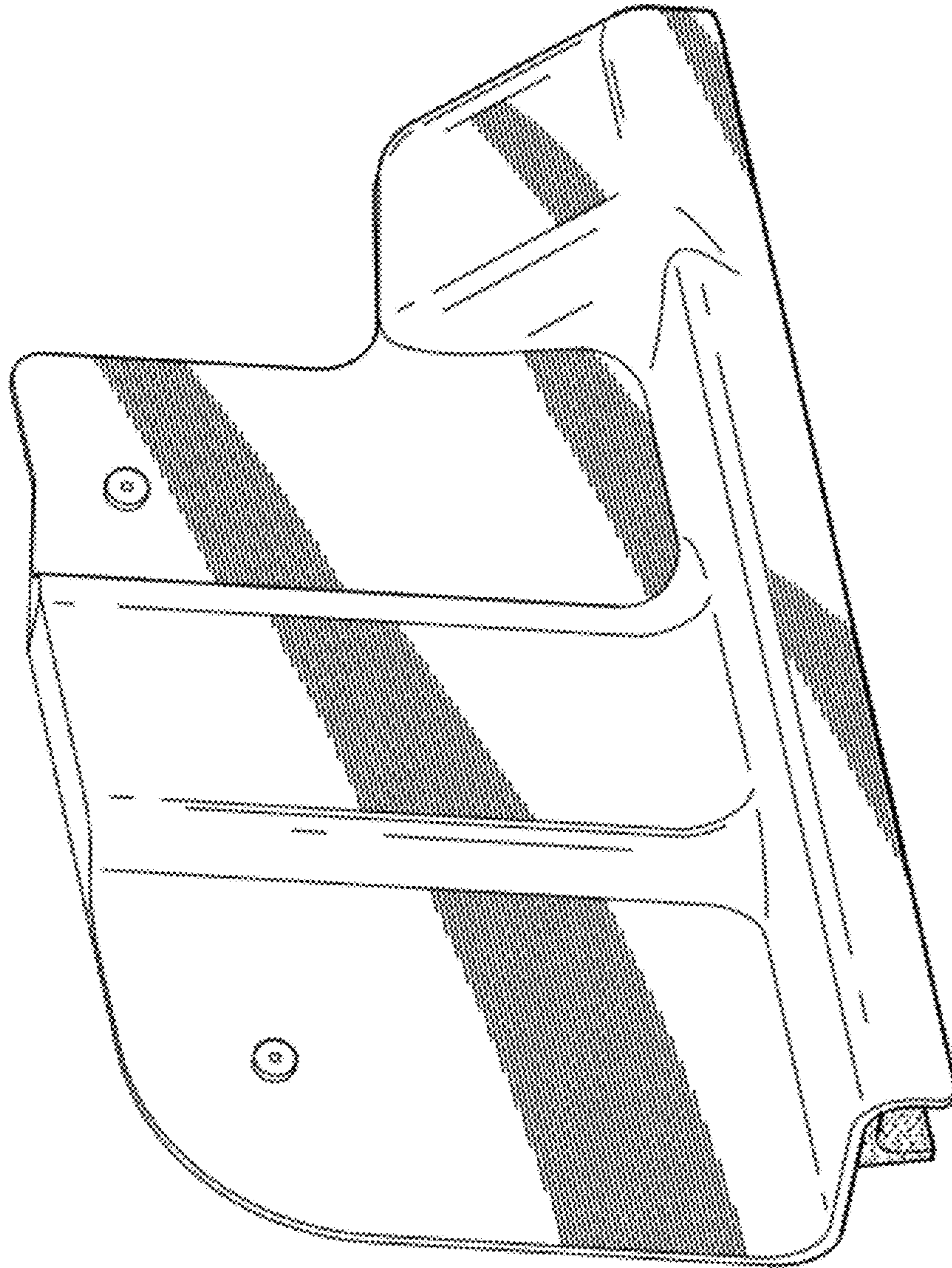


FIG. 3

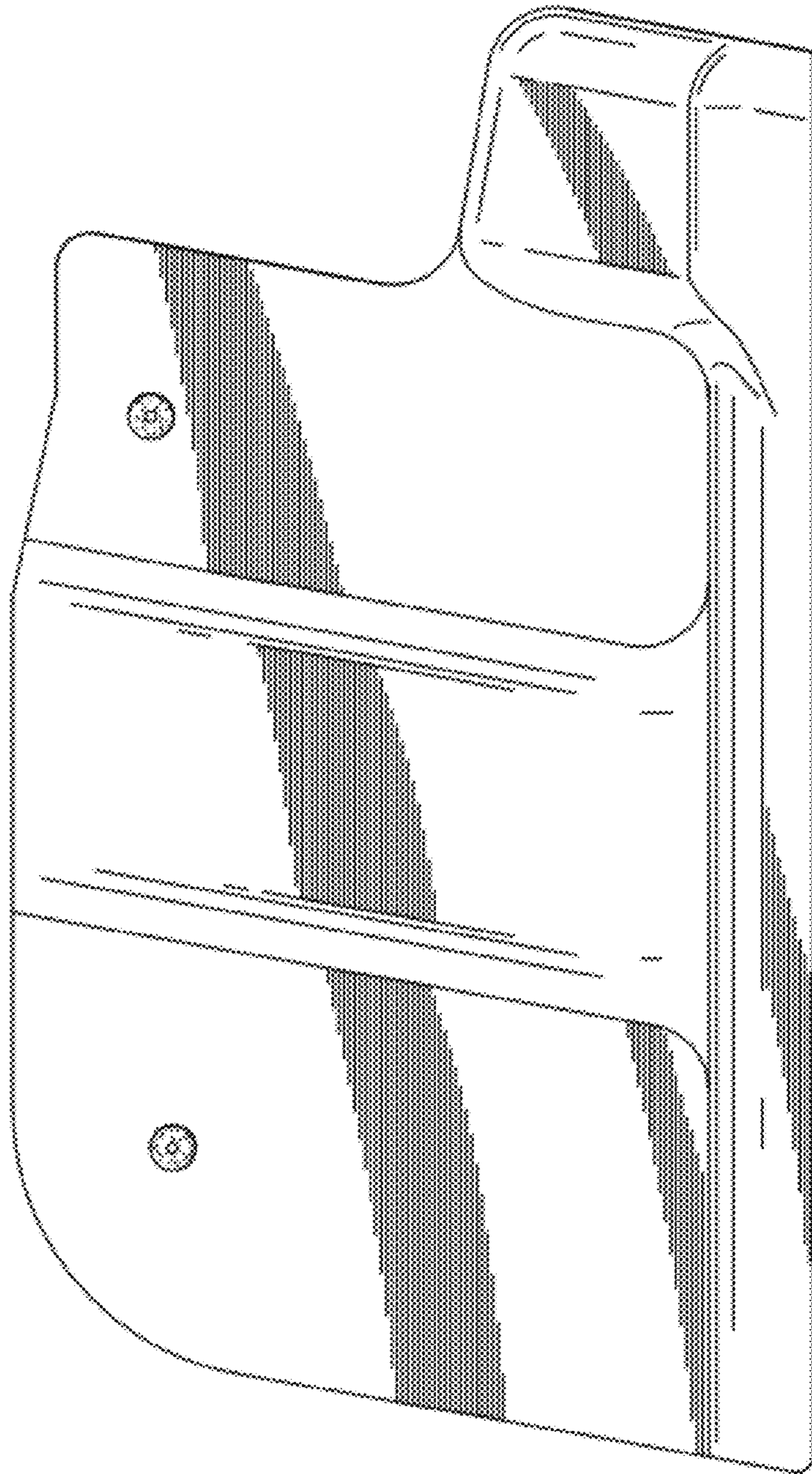


FIG. 4

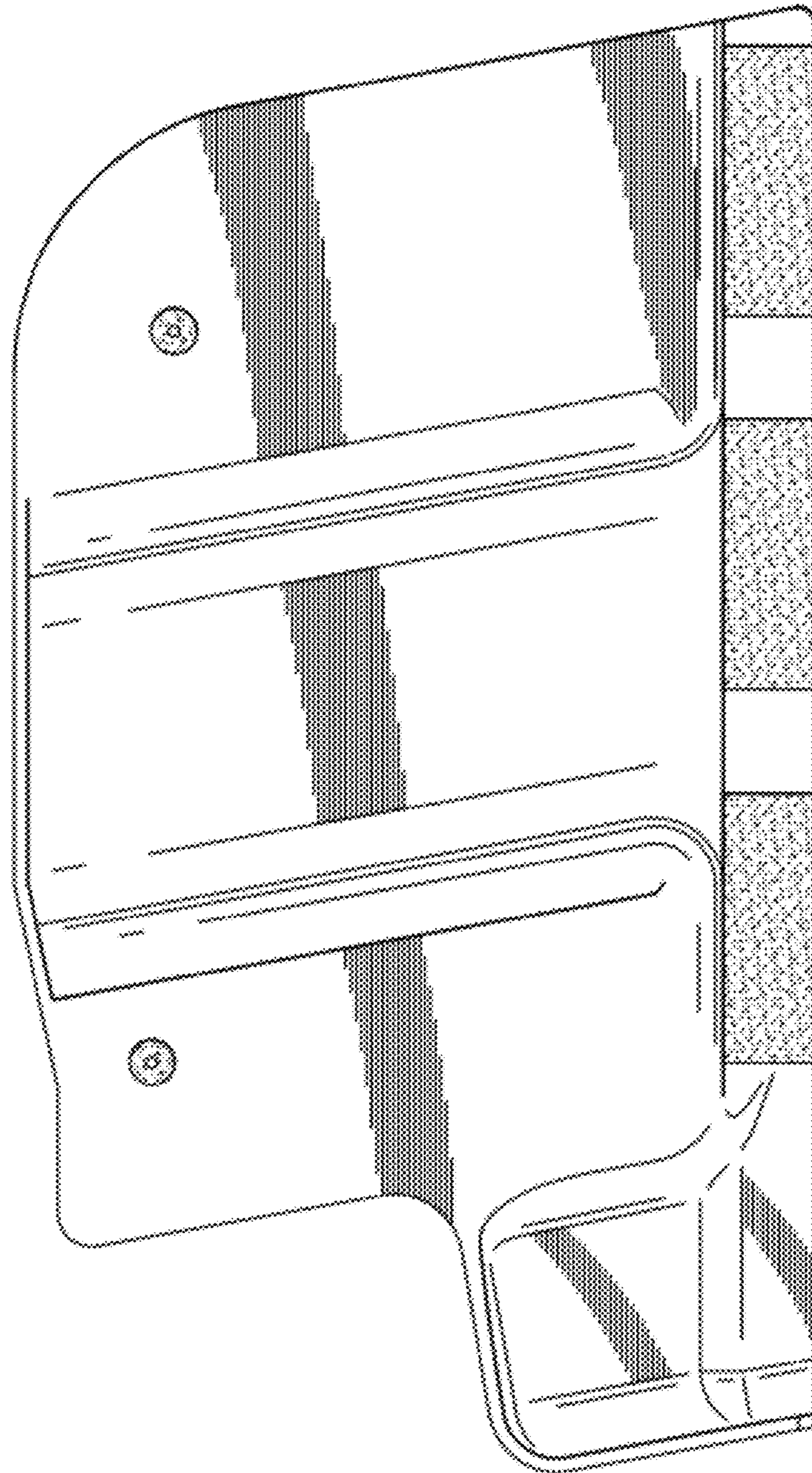


FIG. 5

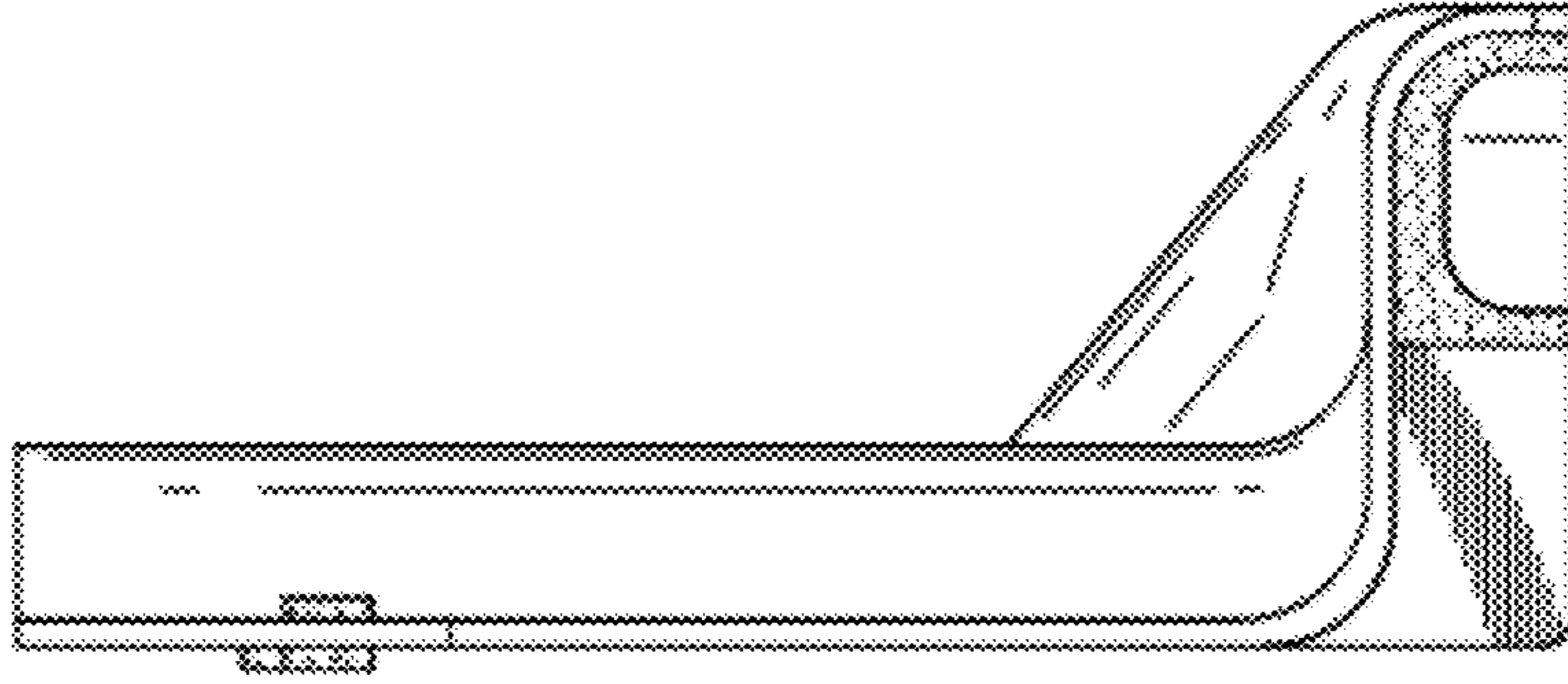


FIG. 7

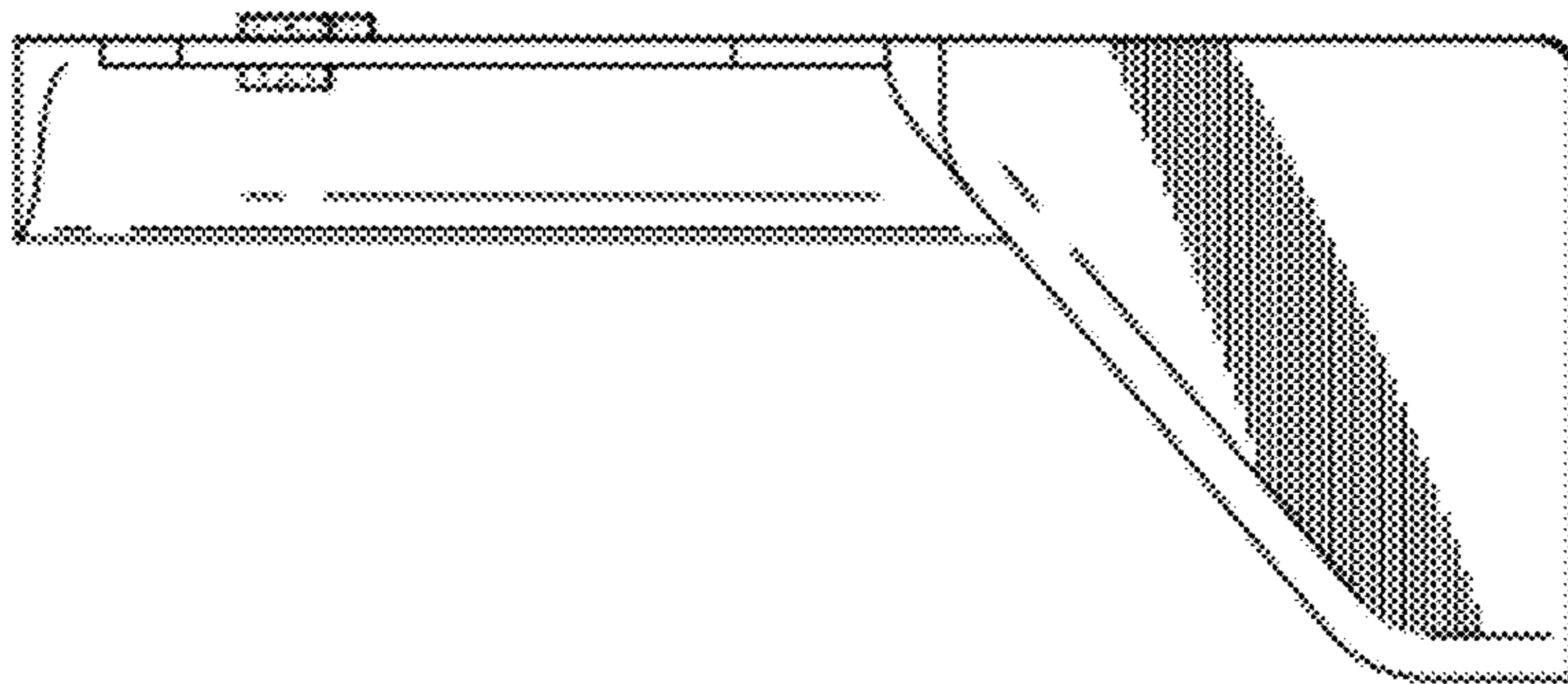


FIG. 6

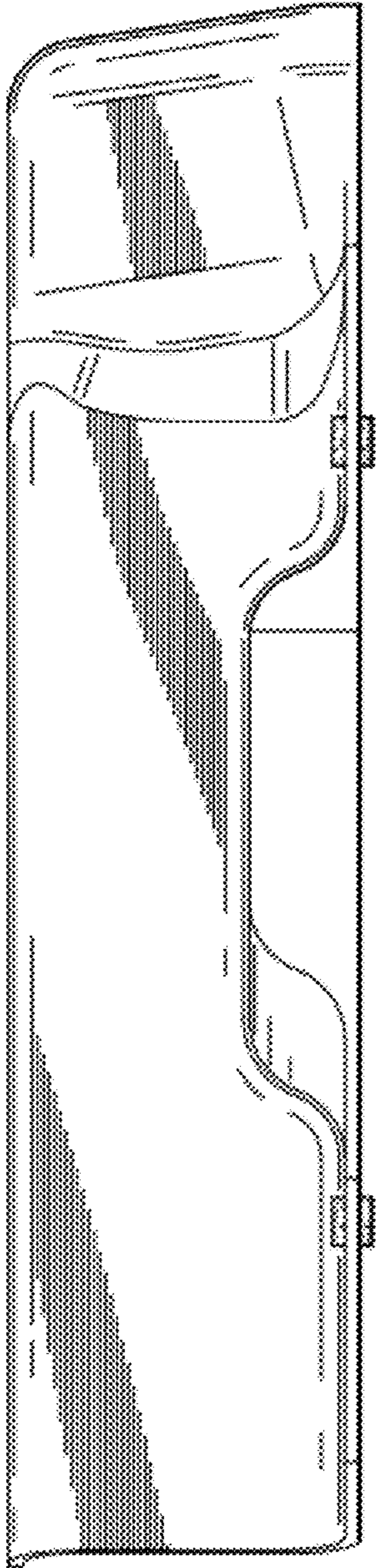


FIG. 8

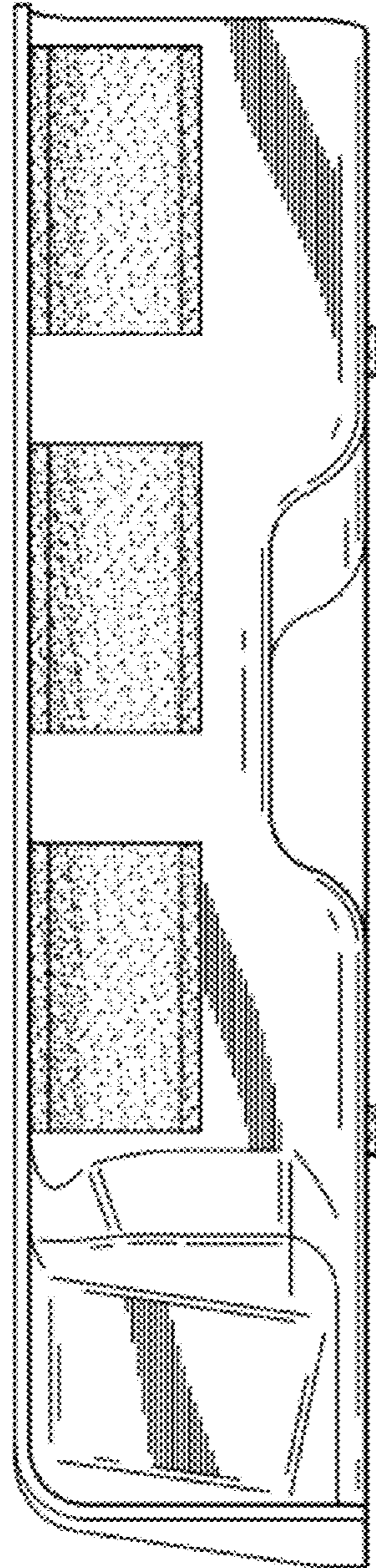


FIG. 9