

US00D663658S

(12) **United States Design Patent**
Karras et al.

(10) **Patent No.:** **US D663,658 S**
(45) **Date of Patent:** **** Jul. 17, 2012**

(54) **VEHICLE REAR BUMPER**

(75) Inventors: **Panayiotis J. Karras**, Ferndale, MI
(US); **Hoon S Kim**, Rochester Hills, MI
(US); **Robert Hunwick**, Dearborn, MI
(US)

(73) Assignee: **GM Global Technology Operations LLC**, Detroit, MI (US)

(**) Term: **14 Years**

(21) Appl. No.: **29/382,028**

(22) Filed: **Dec. 28, 2010**

(51) **LOC (9) Cl.** **12-16**

(52) **U.S. Cl.** **D12/169**

(58) **Field of Classification Search** D12/169,
D12/196, 171, 216, 163, 86, 90-92; 293/102,
293/113, 115, 117, 120; 296/180.1, 180.2

See application file for complete search history.

(56) **References Cited**

U.S. PATENT DOCUMENTS

D631,407 S *	1/2011	Kuze	D12/169
D635,068 S *	3/2011	Neuchi et al.	D12/169
D637,123 S *	5/2011	Lamm et al.	D12/169
D640,615 S *	6/2011	Kumai et al.	D12/169
D640,616 S *	6/2011	Schell et al.	D12/169
D647,439 S *	10/2011	Nemoto et al.	D12/169

* cited by examiner

Primary Examiner — Melody N Brown

(74) *Attorney, Agent, or Firm* — Parks IP Law LLC; Mickki D. Murray

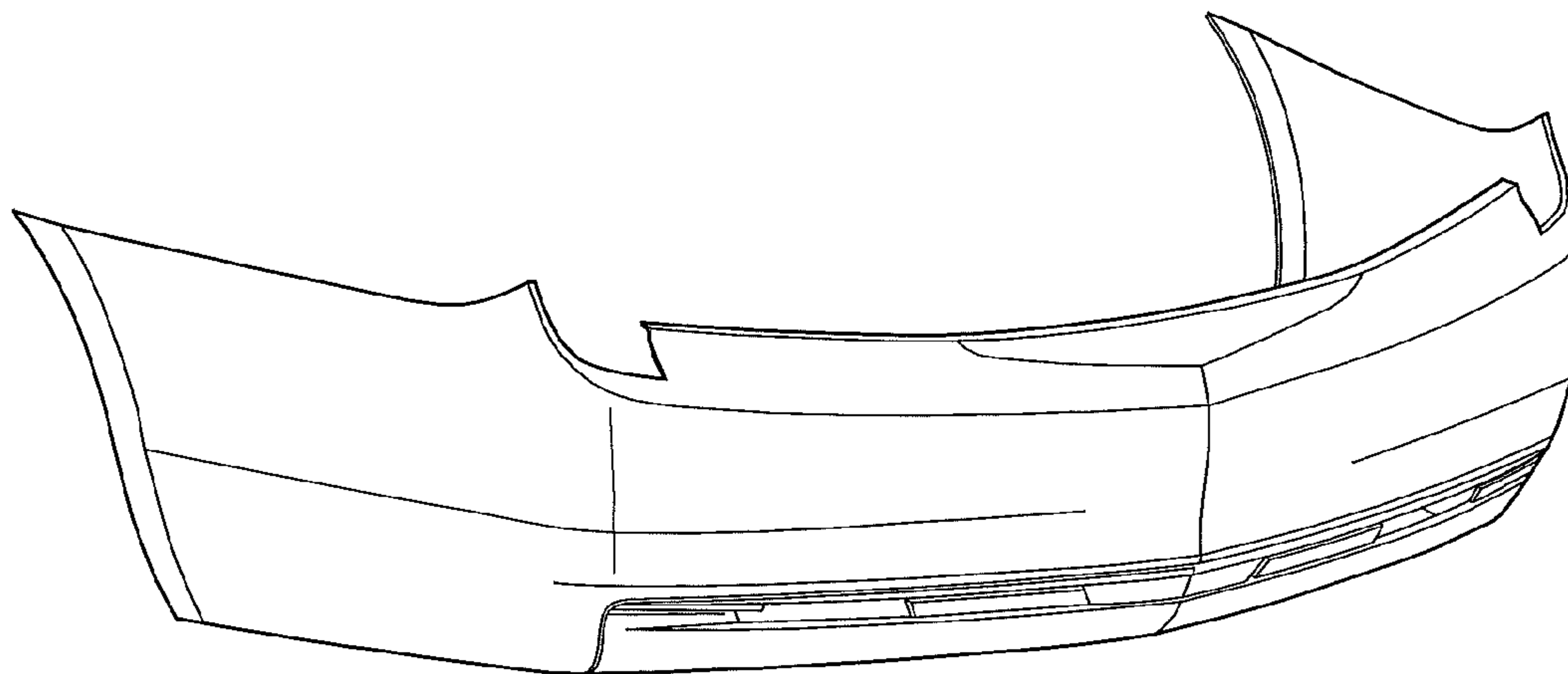
(57) **CLAIM**

The ornamental design for a vehicle rear bumper, as shown and described.

DESCRIPTION

FIG. 1 is a front elevation view of a vehicle rear bumper showing the new design;
FIG. 2 is a top plan view, thereof;
FIG. 3 is a side view, thereof; and,
FIG. 4 is a perspective view, thereof.

1 Claim, 2 Drawing Sheets



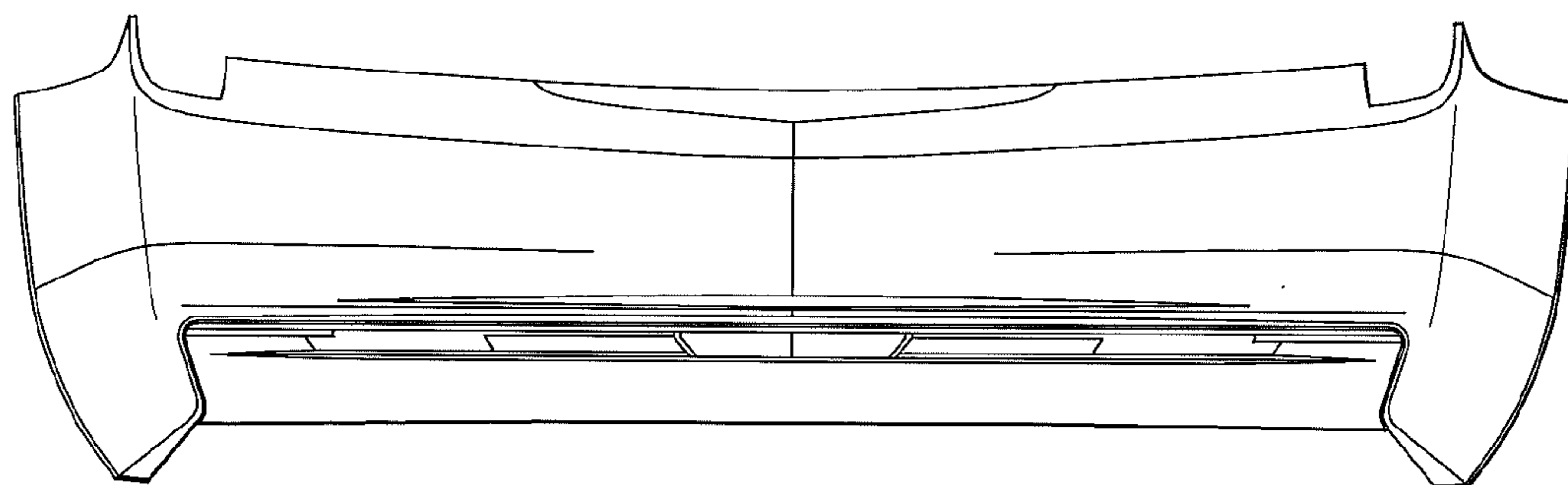


Fig-1

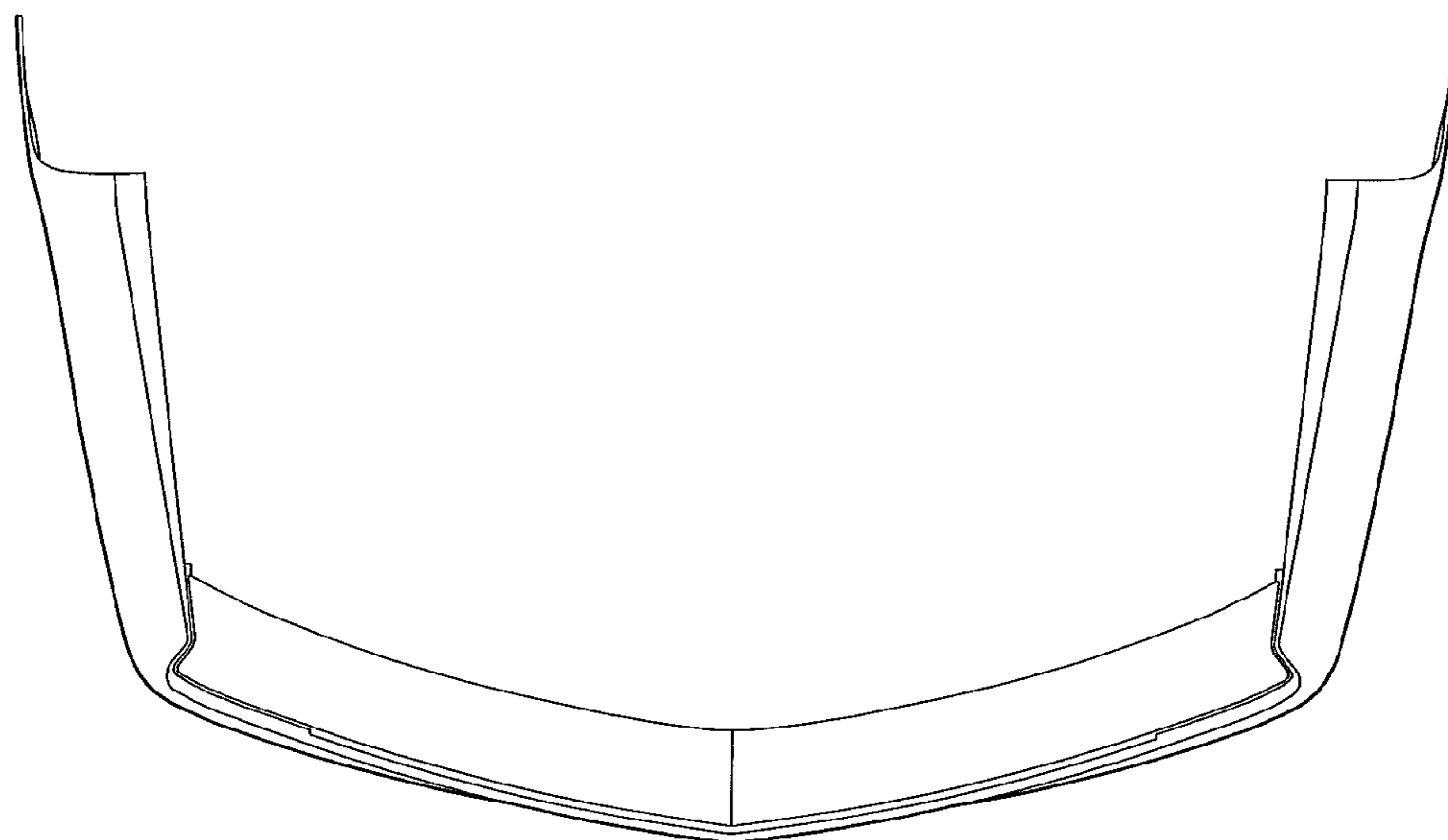


Fig-2

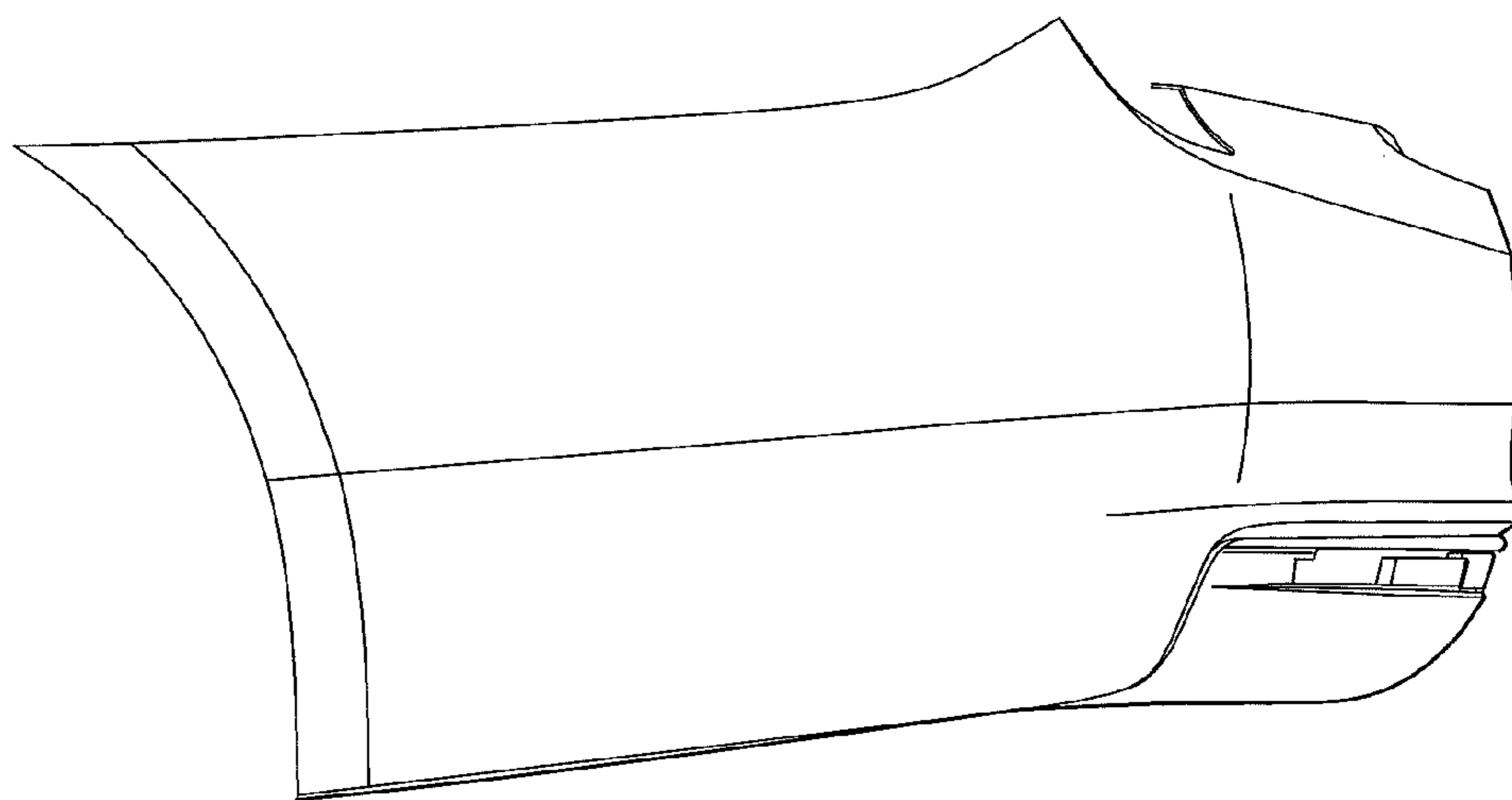


Fig-3

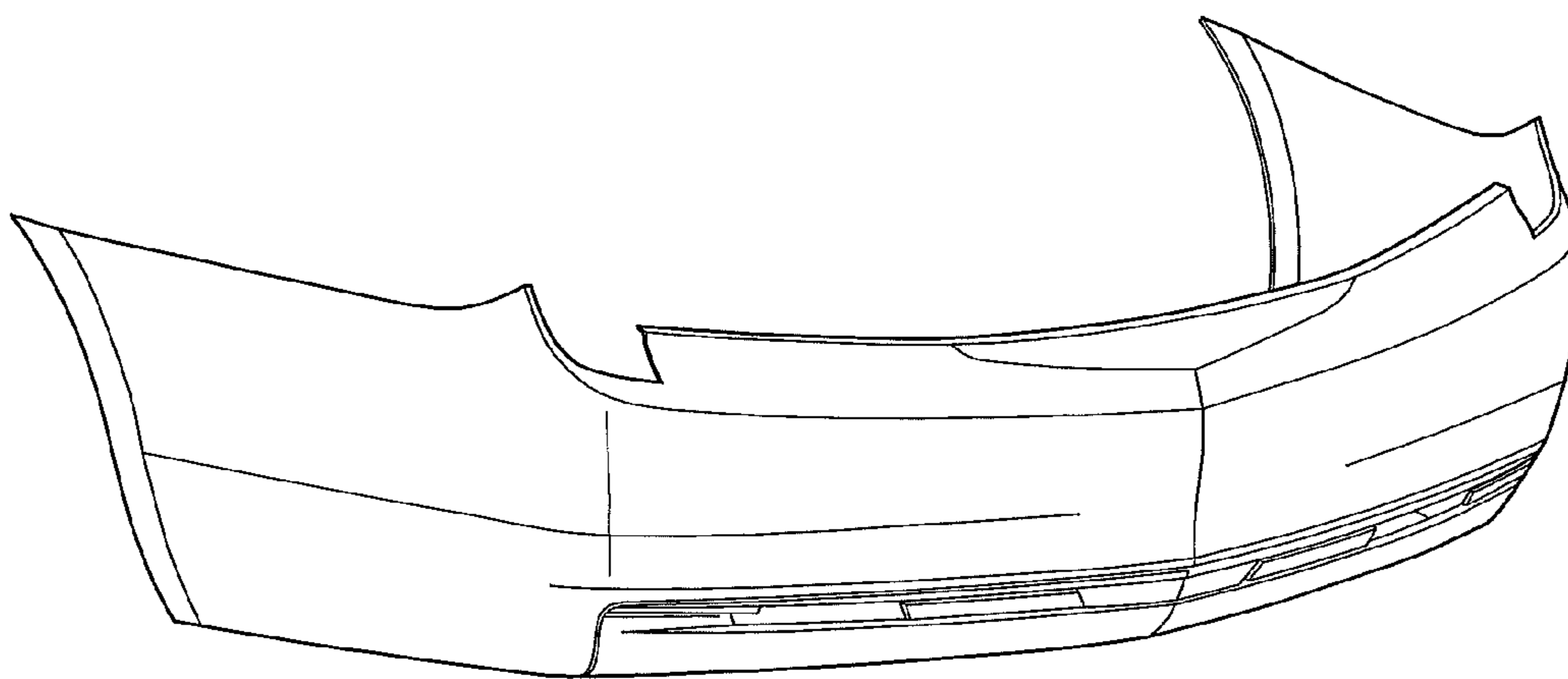


Fig-4