

US00D663655S

(12) **United States Design Patent**
Alger

(10) **Patent No.:** **US D663,655 S**
(45) **Date of Patent:** **** Jul. 17, 2012**

(54) **TRAILER BUMPER**

7,293,784 B2 * 11/2007 Liu 280/35
D619,323 S * 7/2010 Beck D34/25

(75) Inventor: **Jerad D. Alger**, Milford, IA (US)

* cited by examiner

(73) Assignee: **Pristine Product Development, LLC**,
Las Vegas, NV (US)

Primary Examiner — Caron D Veynar
Assistant Examiner — Katrina A Betton

(**) Term: **14 Years**

(74) *Attorney, Agent, or Firm* — Weide & Miller, Ltd.

(21) Appl. No.: **29/411,160**

(22) Filed: **Jan. 17, 2012**

(51) **LOC (9) Cl.** **12-10**

(52) **U.S. Cl.** **D12/106**

(58) **Field of Classification Search** D12/100–106,
D12/19, 129; D21/425, 435; D34/21–26,
D34/12, 16; 280/204, 205, 63, 475, 482,
280/647;
296/168, 180, 180.2, 10, 61, 100.01–100.08
See application file for complete search history.

(57) **CLAIM**

The ornamental design for a trailer bumper, as shown and described.

DESCRIPTION

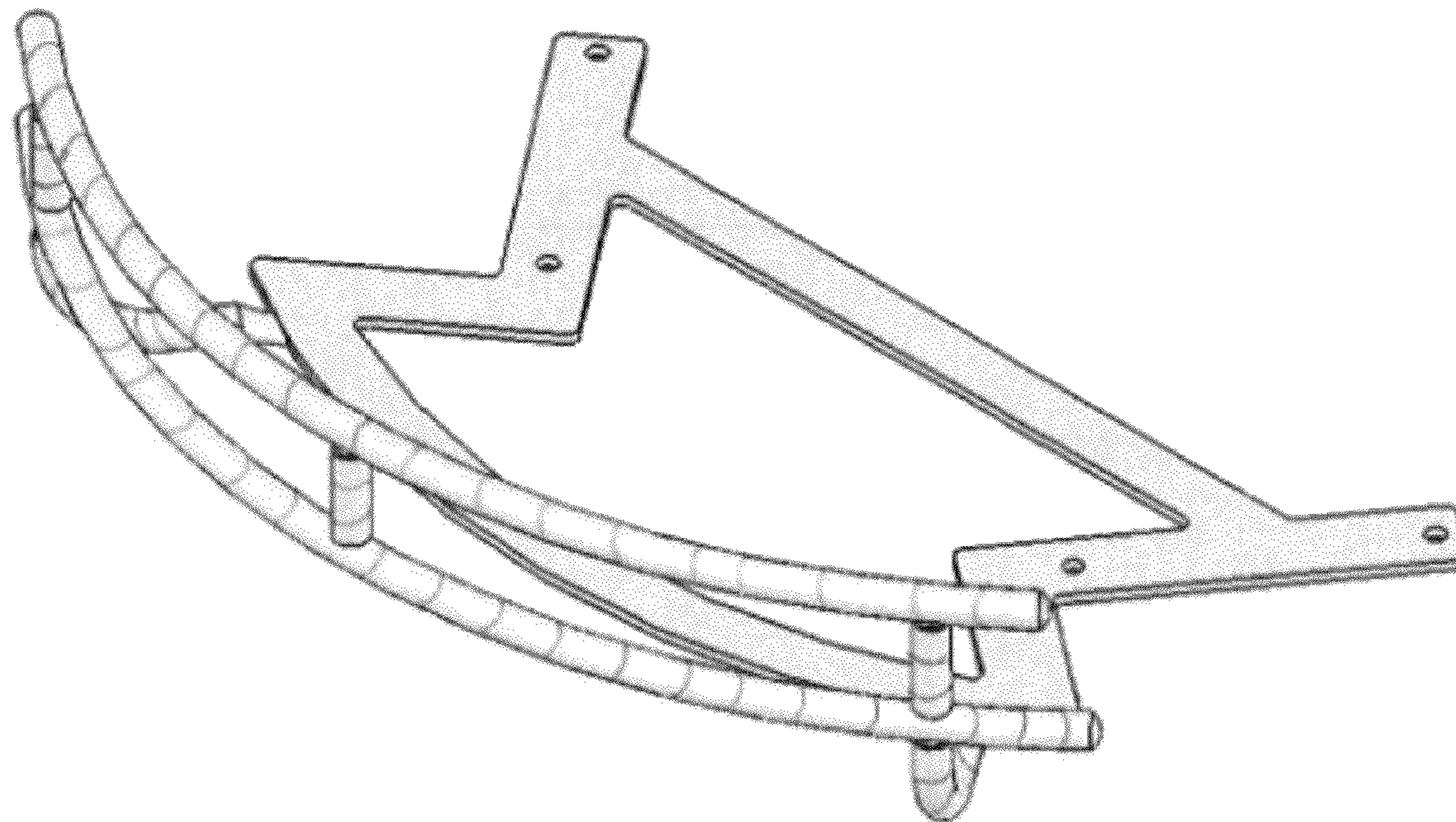
FIG. 1 is a perspective view of the trailer bumper;
FIG. 2 is a top plan view of the trailer bumper;
FIG. 3 is a bottom plan view of the trailer bumper;
FIG. 4 is a right side elevational view of the trailer bumper;
FIG. 5 is a left side elevational view of the trailer bumper;
FIG. 6 is a front side elevational view of the trailer bumper;
and,
FIG. 7 is a rear side elevational view of the trailer bumper.

(56) **References Cited**

U.S. PATENT DOCUMENTS

26,570 A * 12/1859 Hogfer 269/217
D163,280 S * 5/1951 Harrison D34/16

1 Claim, 7 Drawing Sheets



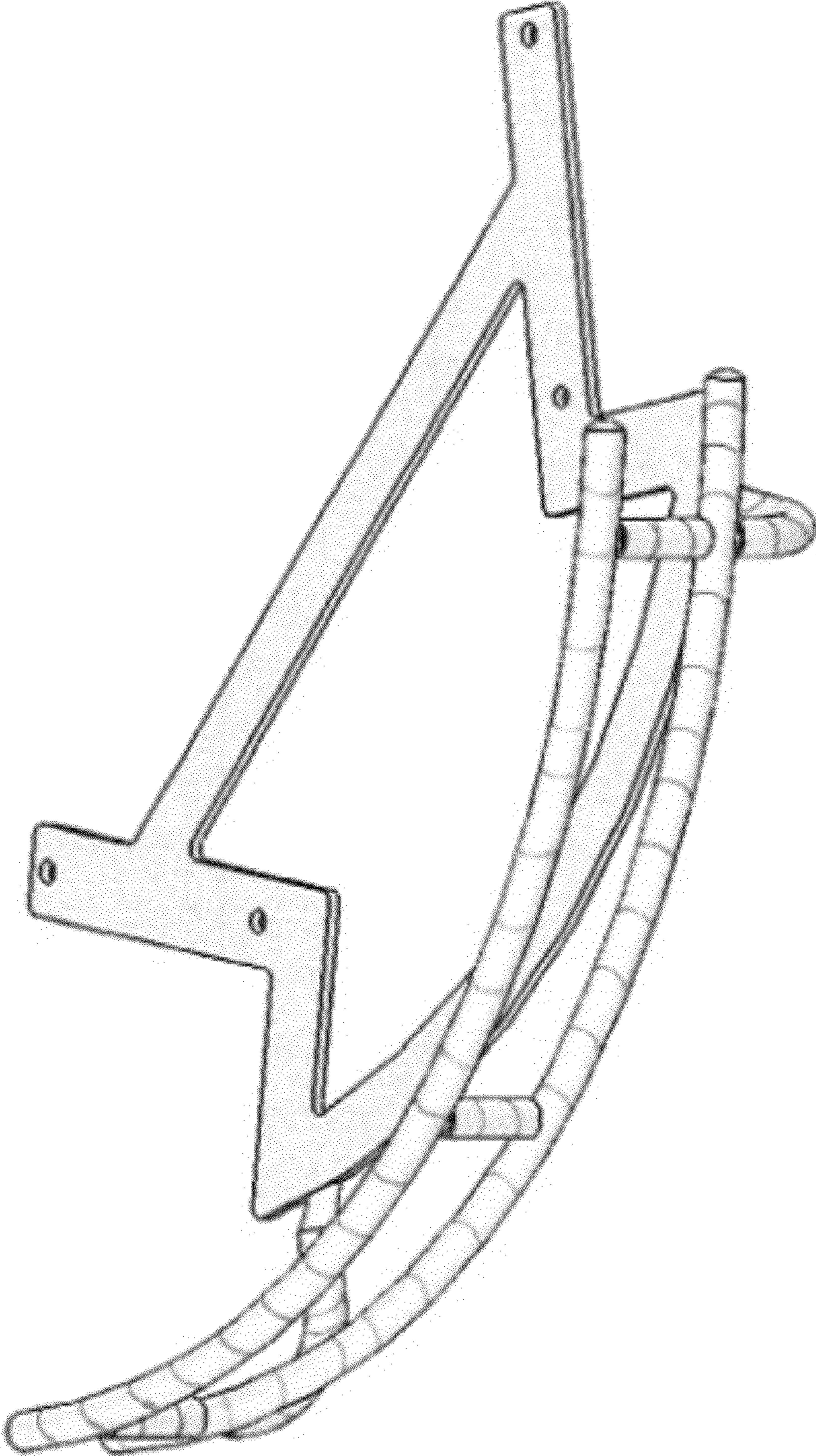


Fig. 1

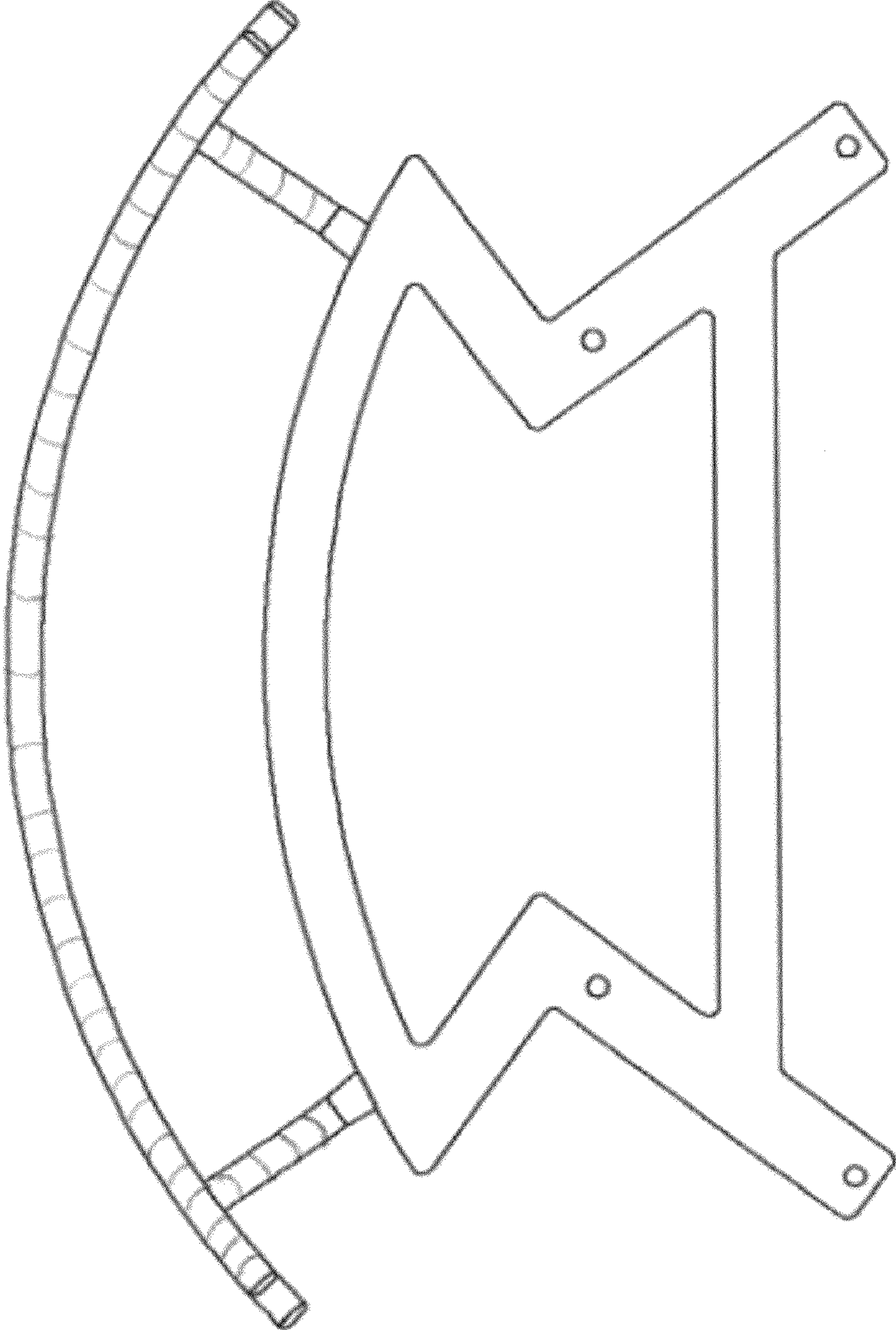


Fig. 2

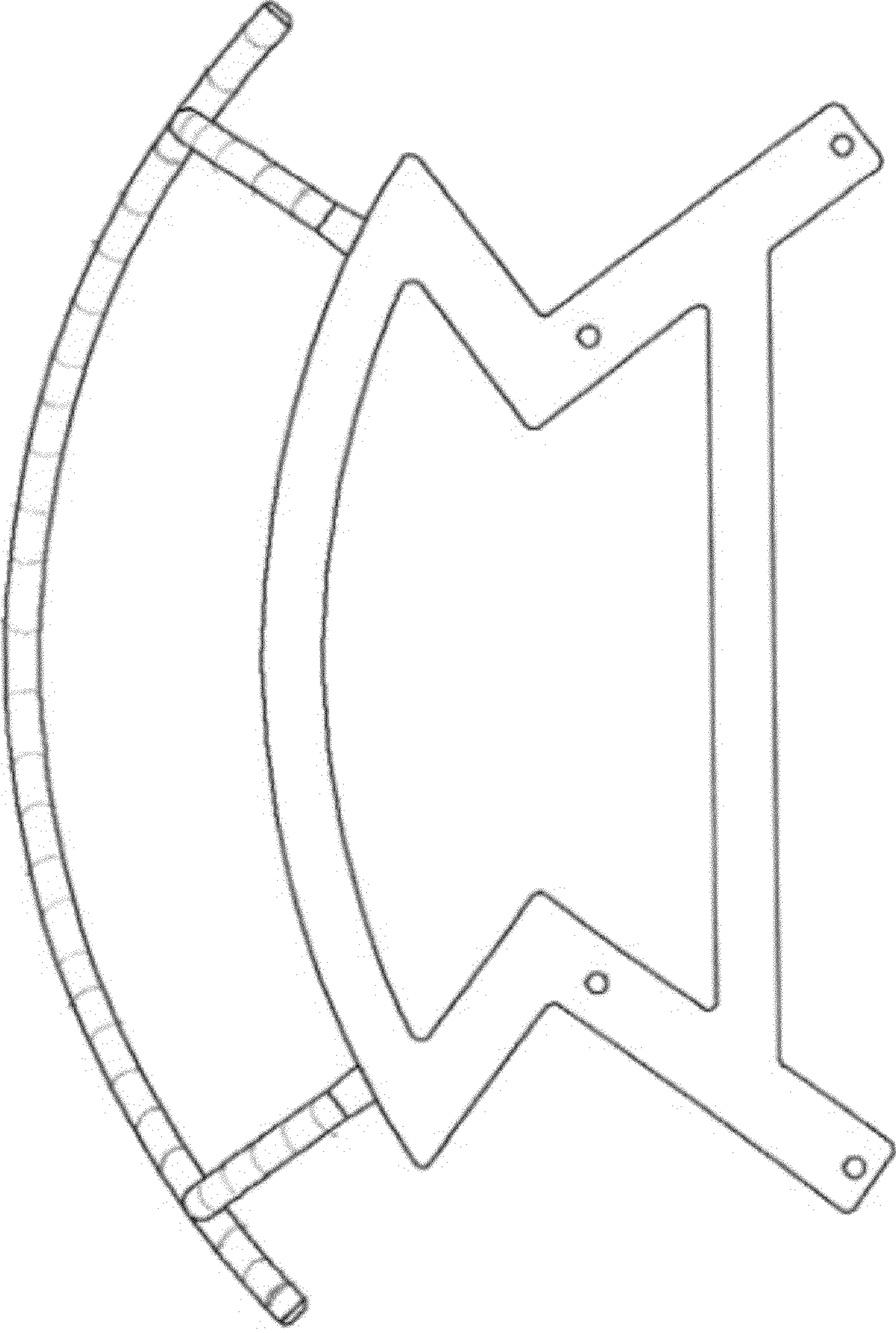


Fig. 3

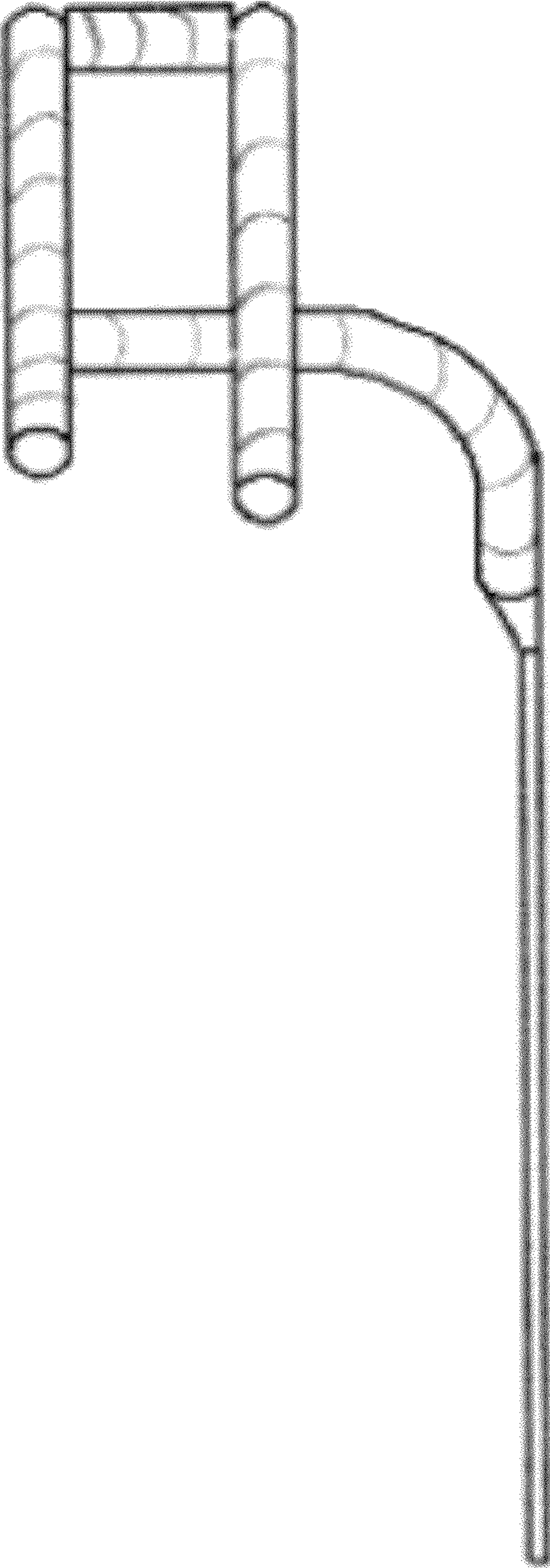


Fig. 4

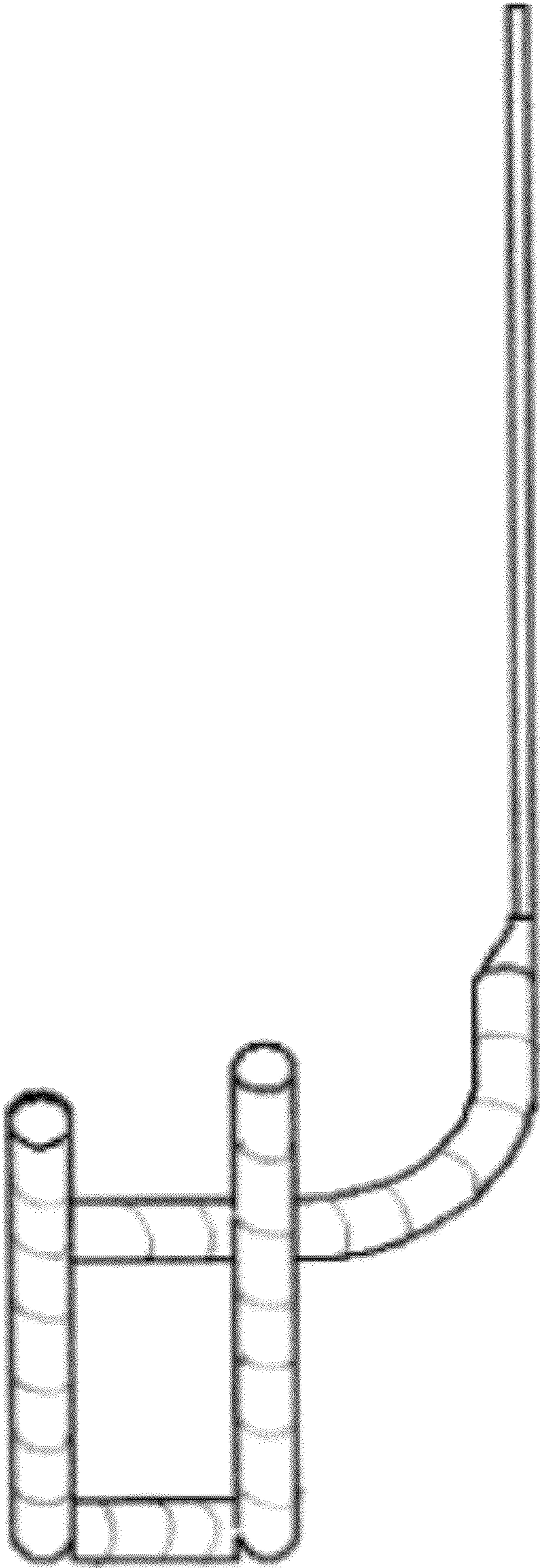


Fig. 5

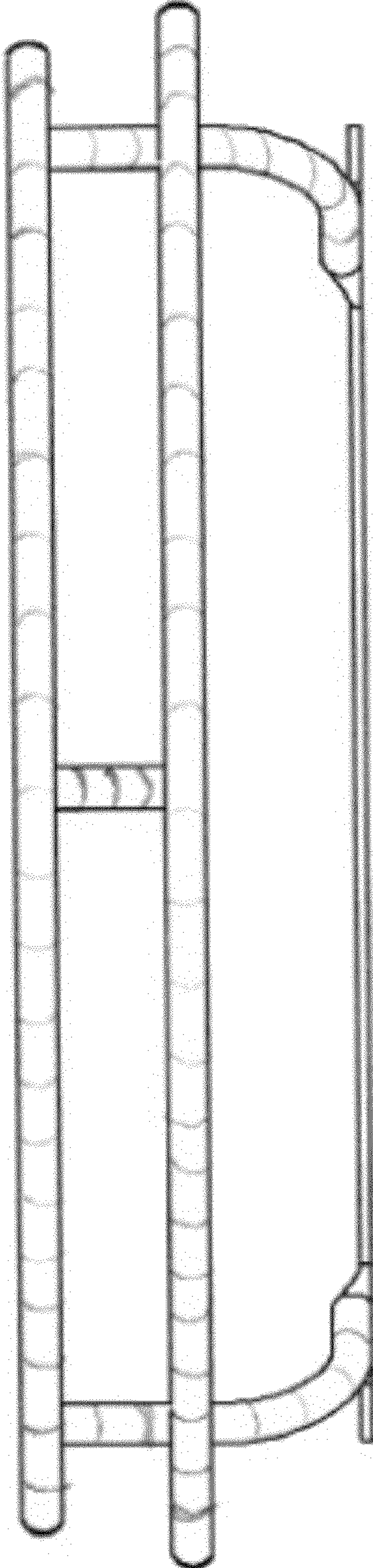


Fig. 6

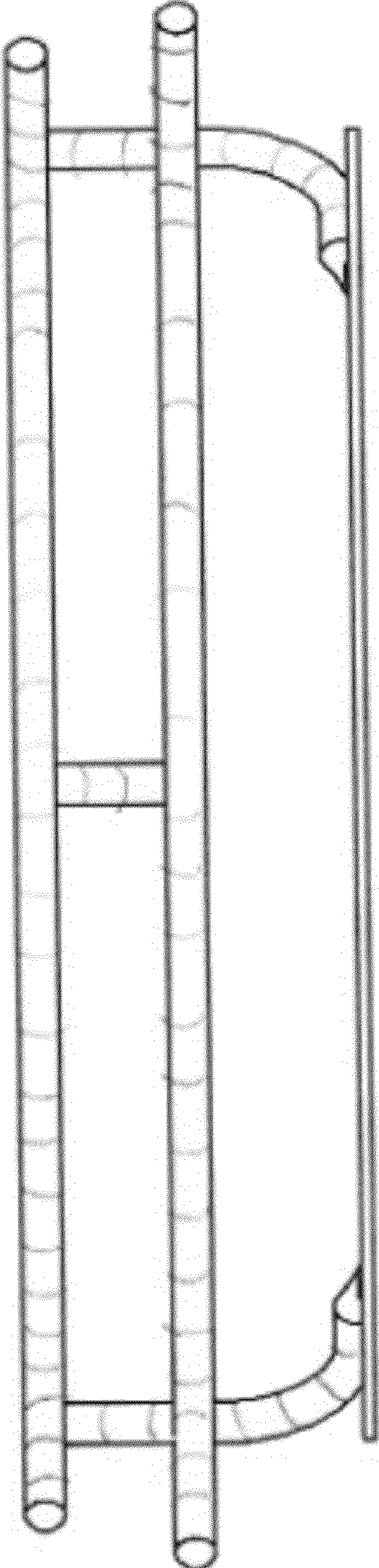


Fig. 7