

US00D663653S

(12) **United States Design Patent**  
**Marchi**

(10) **Patent No.:** **US D663,653 S**  
(45) **Date of Patent:** **\*\* Jul. 17, 2012**

(54) **MOTOR HOME**

(75) Inventor: **Mario Marchi**, Herdecke (DE)

(73) Assignee: **Marchi Mobile GmbH**, Vienna (AT)

(\*\*) Term: **14 Years**

(21) Appl. No.: **29/395,060**

(22) Filed: **Nov. 18, 2011**

**Related U.S. Application Data**

(62) Division of application No. 29/373,046, filed on Feb. 22, 2011, now Pat. No. Des. 649,089.

(51) **LOC (9) Cl.** ..... **12-08**

(52) **U.S. Cl.** ..... **D12/100**

(58) **Field of Classification Search** ..... D12/100-106,  
D12/19, 129; D21/425, 435; D34/21-26,  
D34/12, 16; 280/204, 205, 63, 475, 482,  
280/647;  
296/168, 180, 180.2, 10, 61, 100.01-100.08

See application file for complete search history.

(56) **References Cited**

U.S. PATENT DOCUMENTS

D466,442	S	*	12/2002	Cornell et al.	.....	D12/84
7,000,978	B1	*	2/2006	Messano	.....	296/181.6
D531,933	S	*	11/2006	Delamour	.....	D12/84
D533,115	S	*	12/2006	Delamour	.....	D12/93
D537,755	S	*	3/2007	Toth	.....	D12/84

\* cited by examiner

*Primary Examiner* — Caron D Veynar

*Assistant Examiner* — Katrina Betton

(74) *Attorney, Agent, or Firm* — Bennett Mullinax LLC

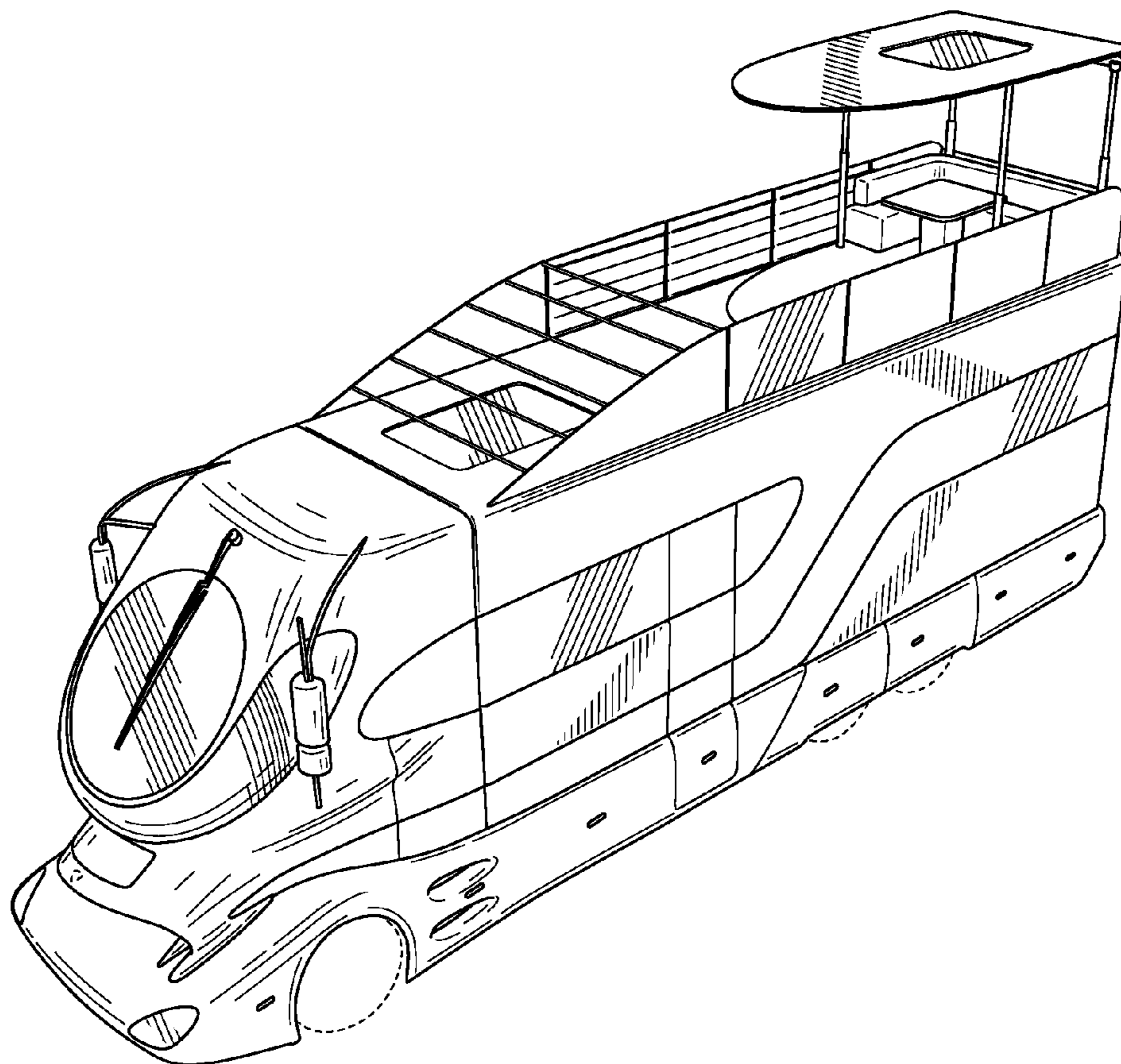
(57) **CLAIM**

The ornamental design for a motor home, as shown and described.

**DESCRIPTION**

FIG. 1 is a perspective view of a motor home.  
FIG. 2 is a front elevation view of the motor home seen in FIG. 1.  
FIG. 3 is a back elevation view of the motor home seen in FIG. 1.  
FIG. 4 is a top perspective view of the motor home seen in FIG. 1.  
FIG. 5 is a left side view of the motor home seen in FIG. 1, the right side being a mirror image thereof; and,  
FIG. 6 is a top plan view of the motor home seen in FIG. 1.

**1 Claim, 6 Drawing Sheets**



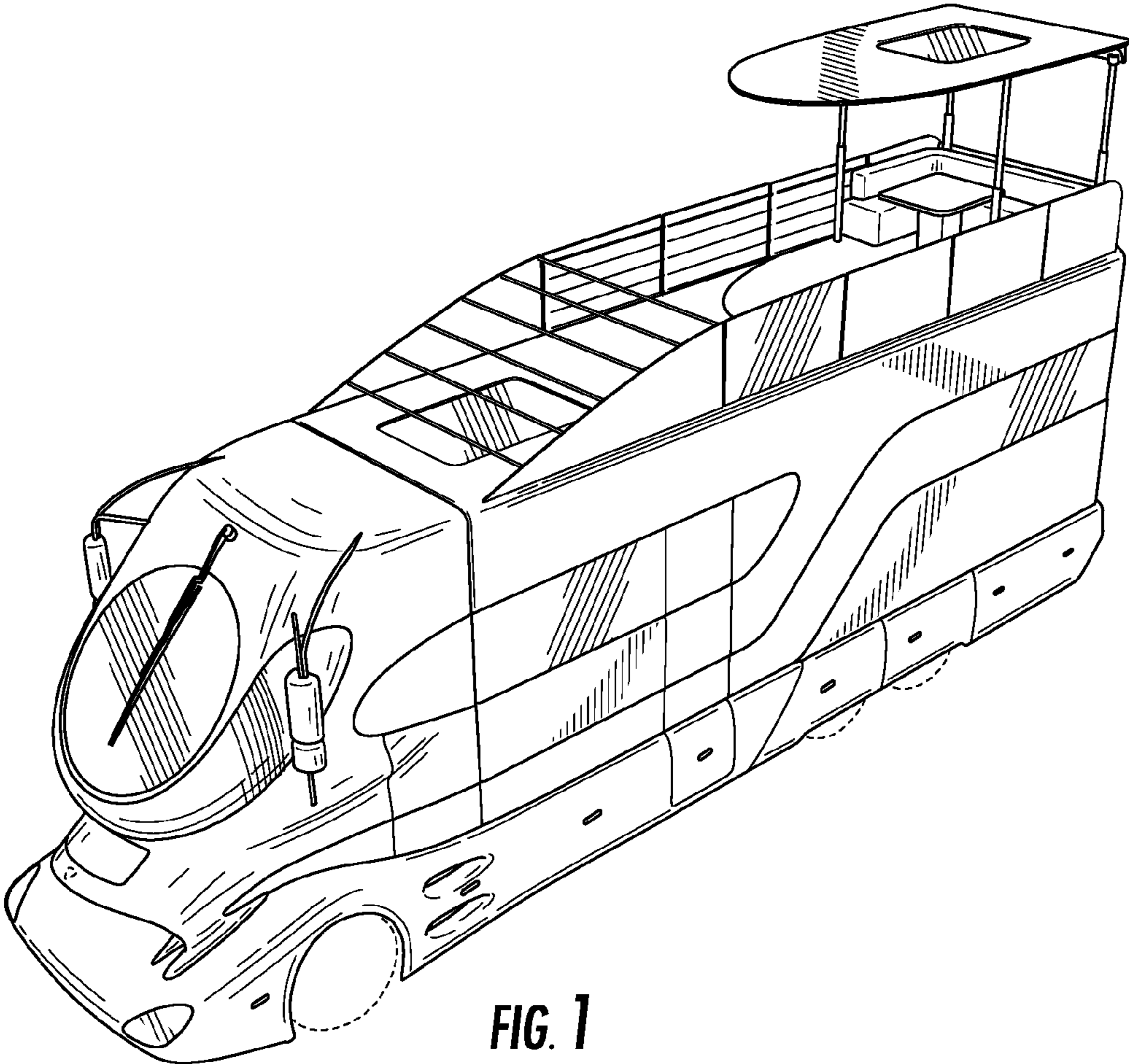
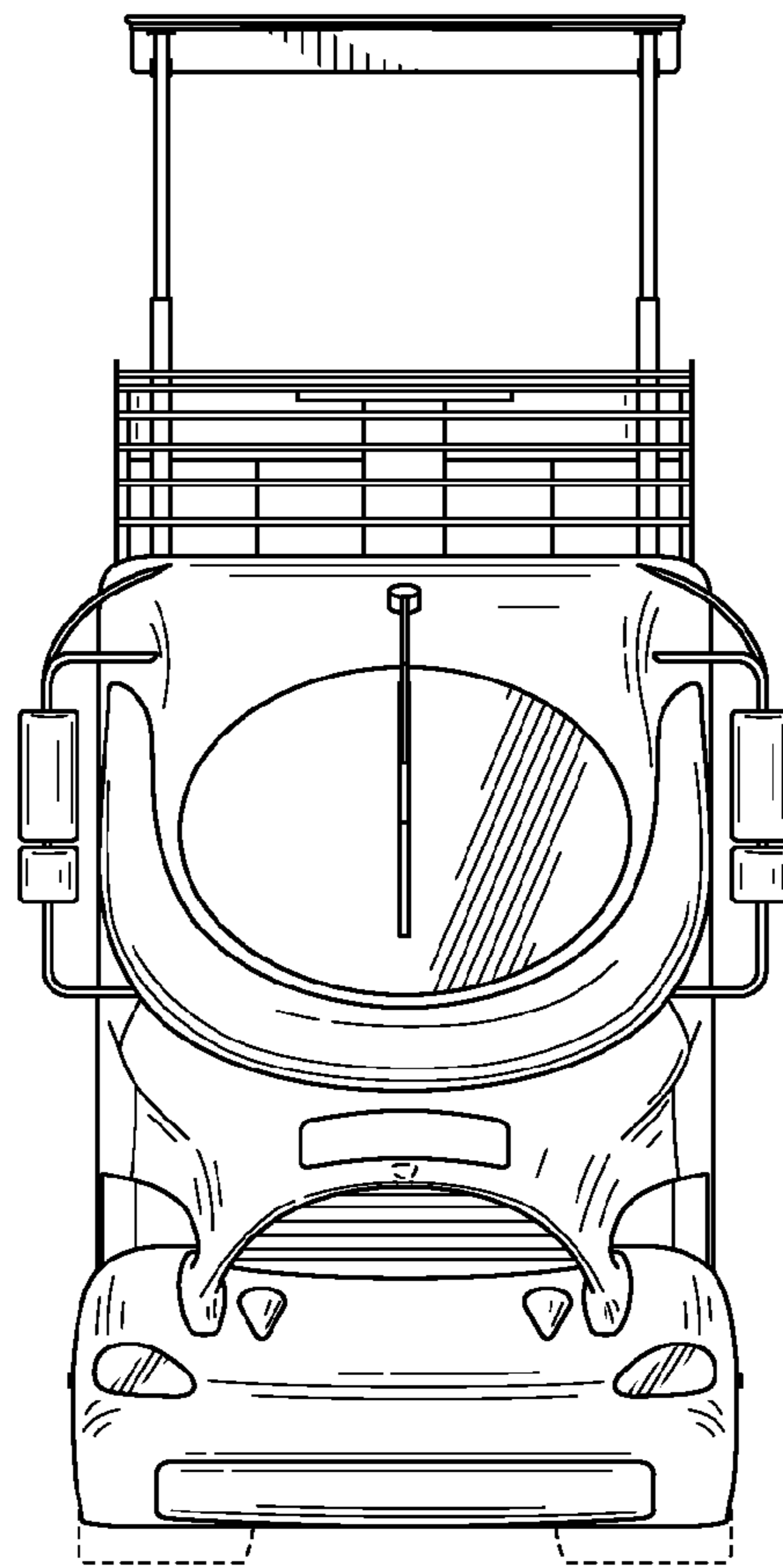
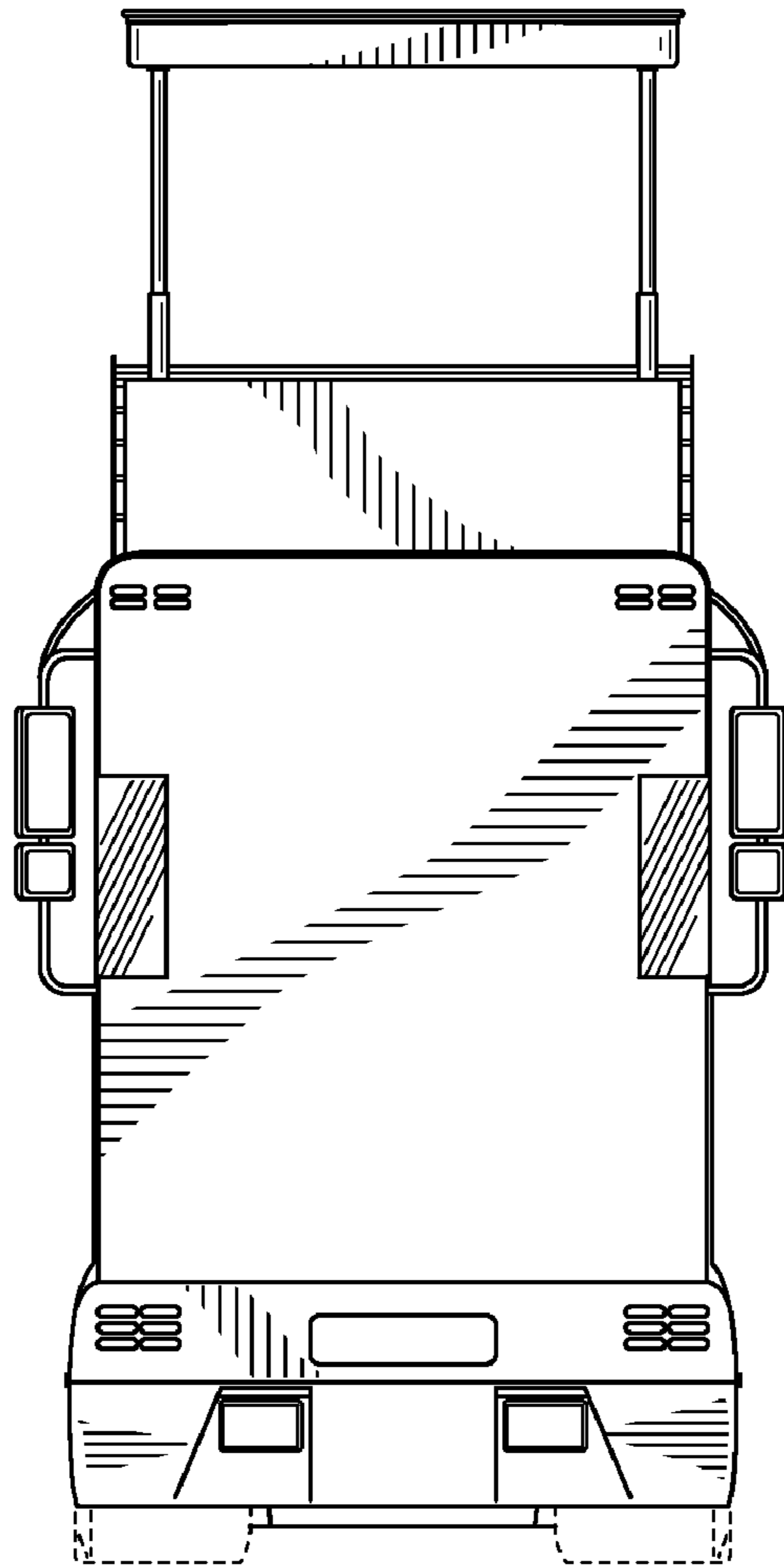


FIG. 1



**FIG. 2**



**FIG. 3**

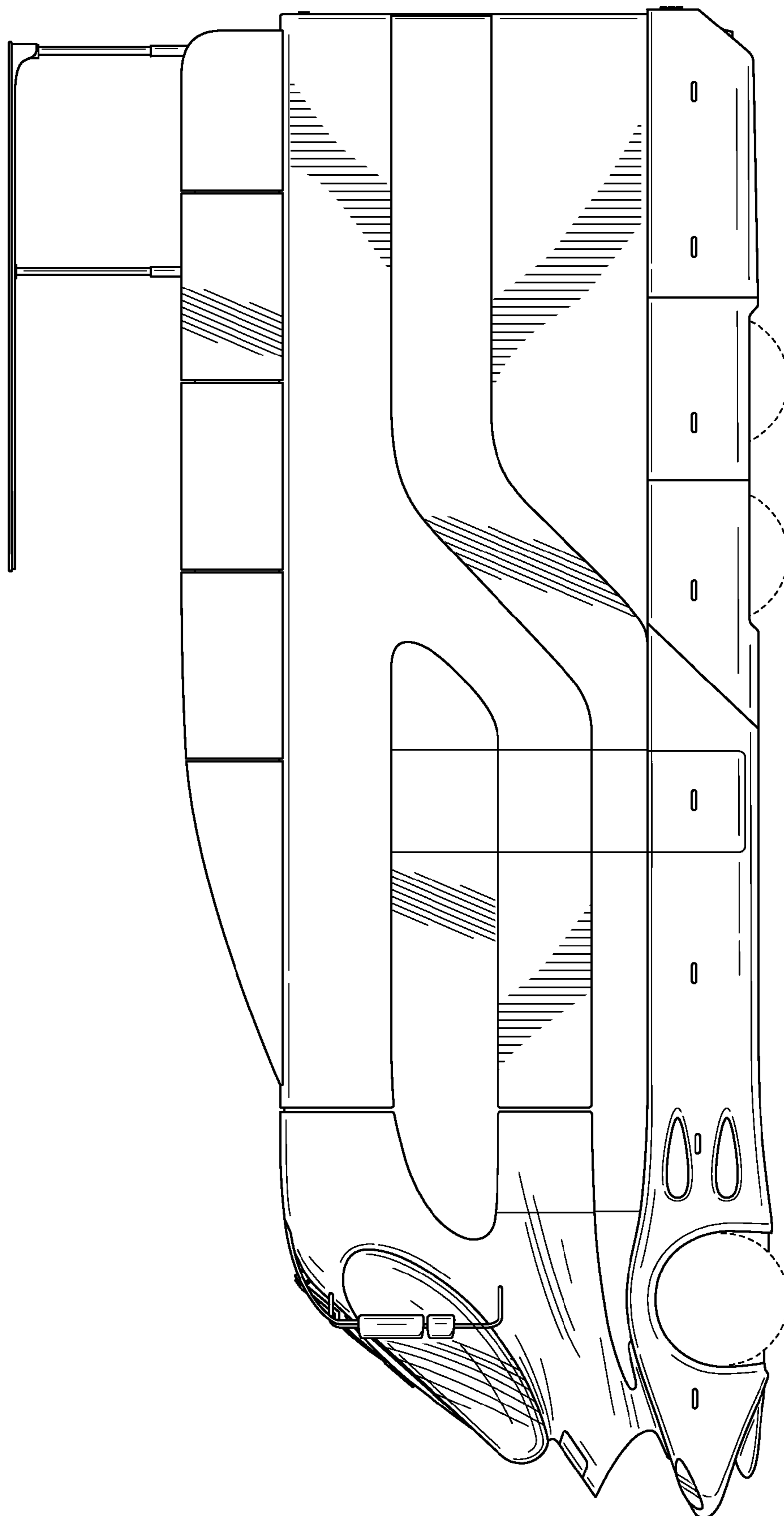


FIG. 4

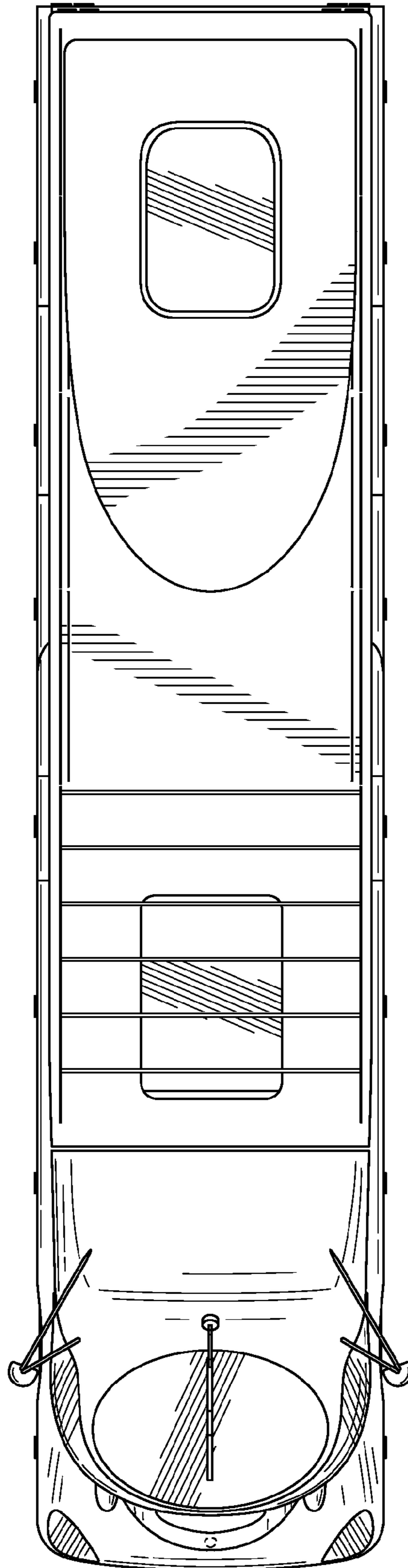


FIG. 5

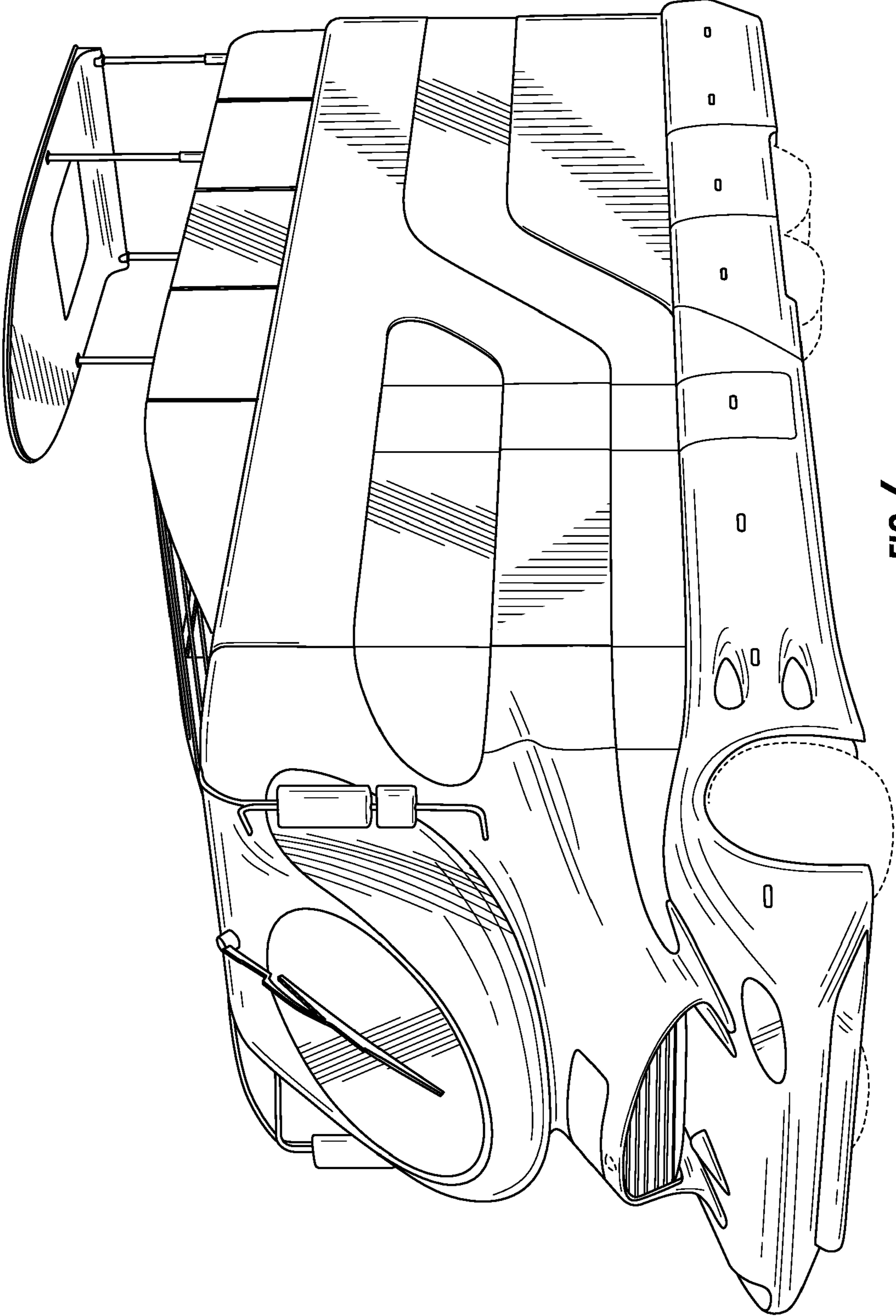


FIG. 6