



US00D663652S

(12) **United States Design Patent**
Anderson et al.

(10) **Patent No.:** **US D663,652 S**

(45) **Date of Patent:** **** Jul. 17, 2012**

(54) **ROOT-PRUNING MESH POT FOR PLANTS**

(76) Inventors: **George Anderson**, Portland, OR (US);
Danny Carlos Johnson, Portland, OR
(US)

(**) Term: **14 Years**

(21) Appl. No.: **29/365,644**

(22) Filed: **Jul. 13, 2010**

(51) **LOC (9) Cl.** **11-02**

(52) **U.S. Cl.** **D11/164**

(58) **Field of Classification Search** D11/143,
D11/164, 152; 47/66, 69, 71, 72, 78-83,
47/85-87

See application file for complete search history.

D485,207 S * 1/2004 Dion D11/143
D485,784 S * 1/2004 Fan D11/143
D488,402 S * 4/2004 Fan D11/164
D490,745 S * 6/2004 Fan D11/143
D507,507 S * 7/2005 Broekhuizen D11/164
D614,994 S * 5/2010 Dipaolo et al. D11/164

* cited by examiner

Primary Examiner — T. Chase Nelson

Assistant Examiner — Michelle E Wilson

(74) *Attorney, Agent, or Firm* — Craig A. Simmermon

(57) **CLAIM**

The ornamental design for a root-pruning mesh pot for plants,
as shown and described.

DESCRIPTION

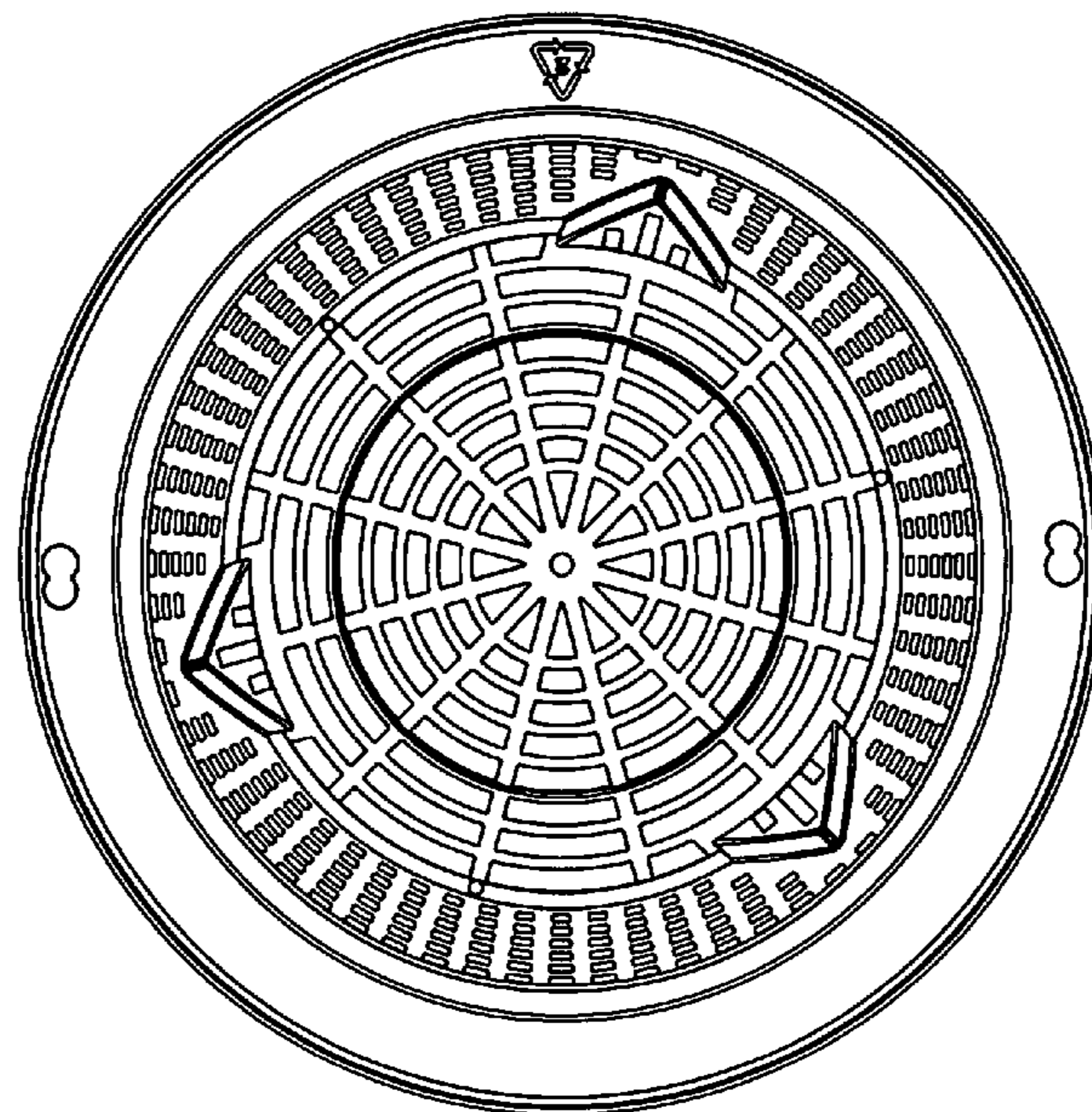
(56) **References Cited**

U.S. PATENT DOCUMENTS

D181,500	S	*	11/1957	Snyder	D32/37
D279,175	S	*	6/1985	Eklof	D11/164
D279,278	S	*	6/1985	Pink	D11/143
D322,768	S	*	12/1991	Lillelund et al.	D11/147
D328,725	S	*	8/1992	Deutschmann, Sr.	D11/164
D338,427	S	*	8/1993	Liou	D11/153
D339,550	S	*	9/1993	Wilder	D11/164
D349,615	S	*	8/1994	McLaughlin	D6/403
D350,306	S	*	9/1994	Carlson	D11/164
D352,479	S	*	11/1994	Carlson	D11/153
D358,563	S	*	5/1995	Opheim	D11/143
D361,308	S	*	8/1995	Loran	D11/164
D363,255	S	*	10/1995	Helms et al.	D11/164
D365,541	S	*	12/1995	Hirsch et al.	D11/164
D399,781	S	*	10/1998	Ray	D11/143
D399,787	S	*	10/1998	Wagner	D11/164
D399,788	S	*	10/1998	Wagner	D11/164
D409,948	S	*	5/1999	Almeida	D11/164
D480,986	S	*	10/2003	Taylor	D11/143

FIG. 1 is a top view of root-pruning mesh pot for plants showing my new design;
FIG. 2 is a side elevation view thereof;
FIG. 3 is bottom perspective view thereof;
FIG. 4 is top perspective view thereof;
FIG. 5 is a top plan view defining cross sectional plane 6-6;
FIG. 6 is a cross-sectional view taken from lines 6-6 in FIG. 6;
FIG. 7 is a side elevation view defining cross-sectional planes 8-8 and 9-9;
FIG. 8 is a cross-sectional view taken from lines 8-8 in FIG. 7;
FIG. 9 is an enlarged view of area "9" of FIG. 8;
FIG. 10 is a cross-sectional view taken from lines 10-10 in FIG. 7;
FIG. 11 is an enlarged view of area "11" of FIG. 10; and,
FIG. 12 is a cut-away view thereof.

1 Claim, 12 Drawing Sheets



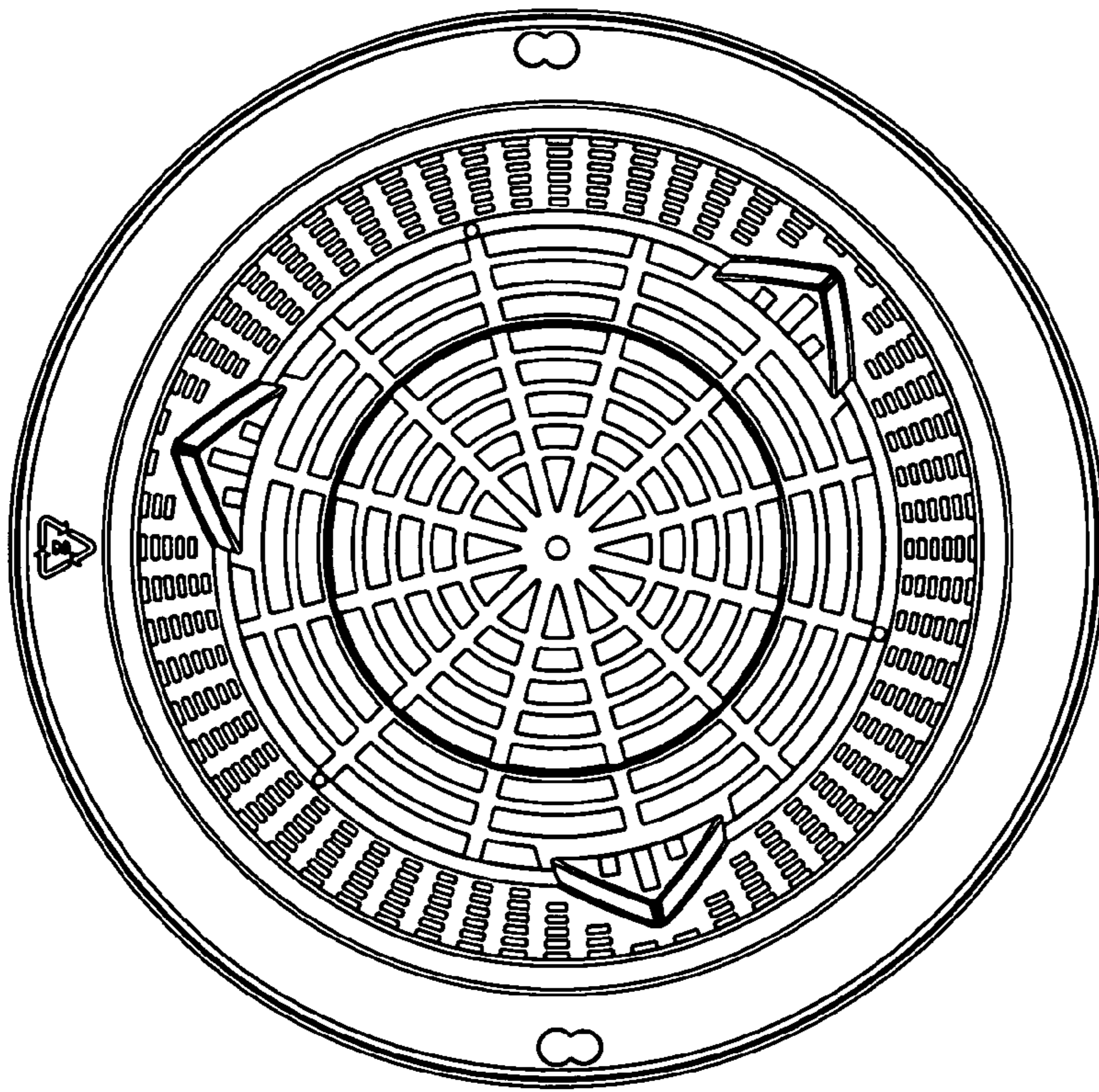


Fig. 1

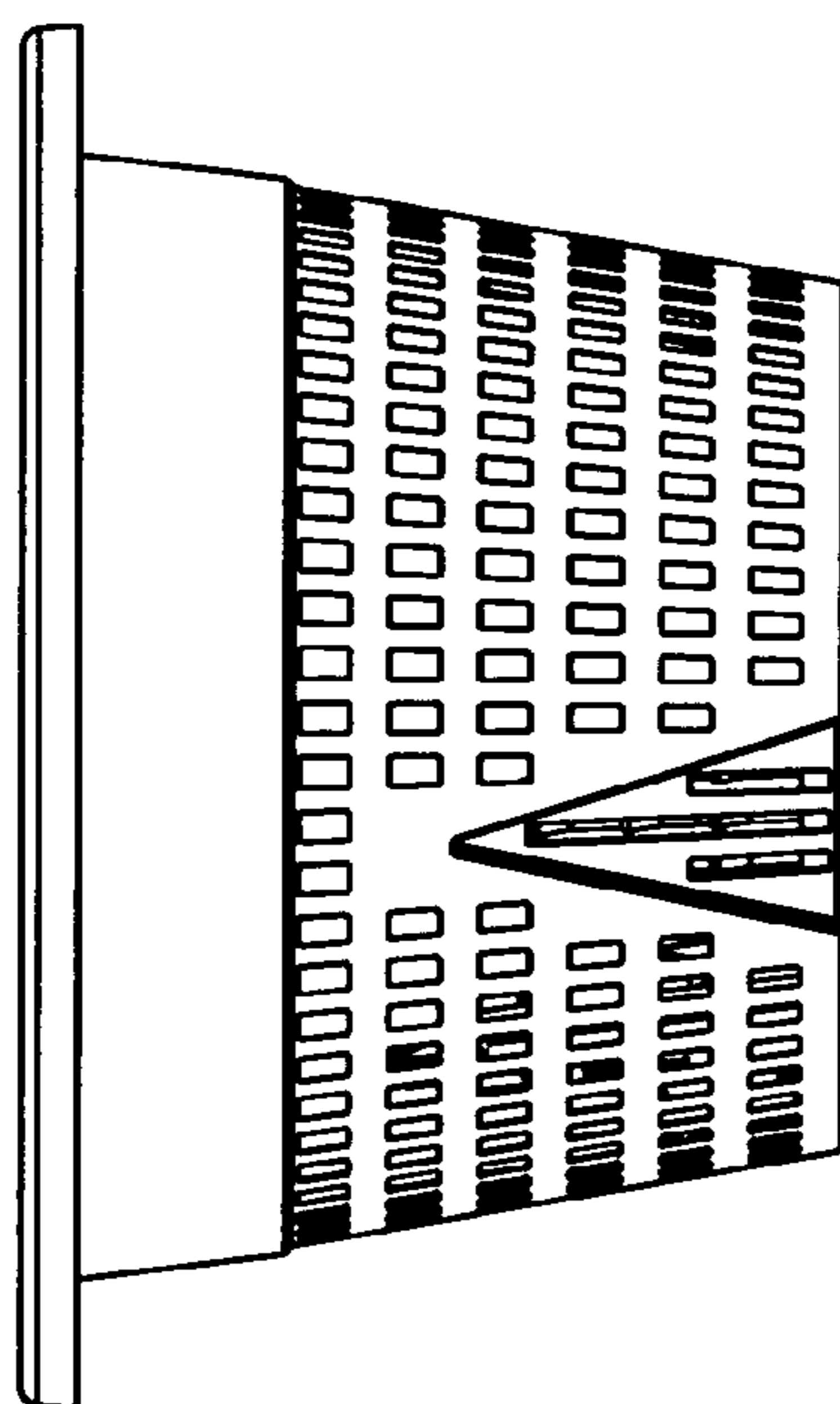


Fig. 2

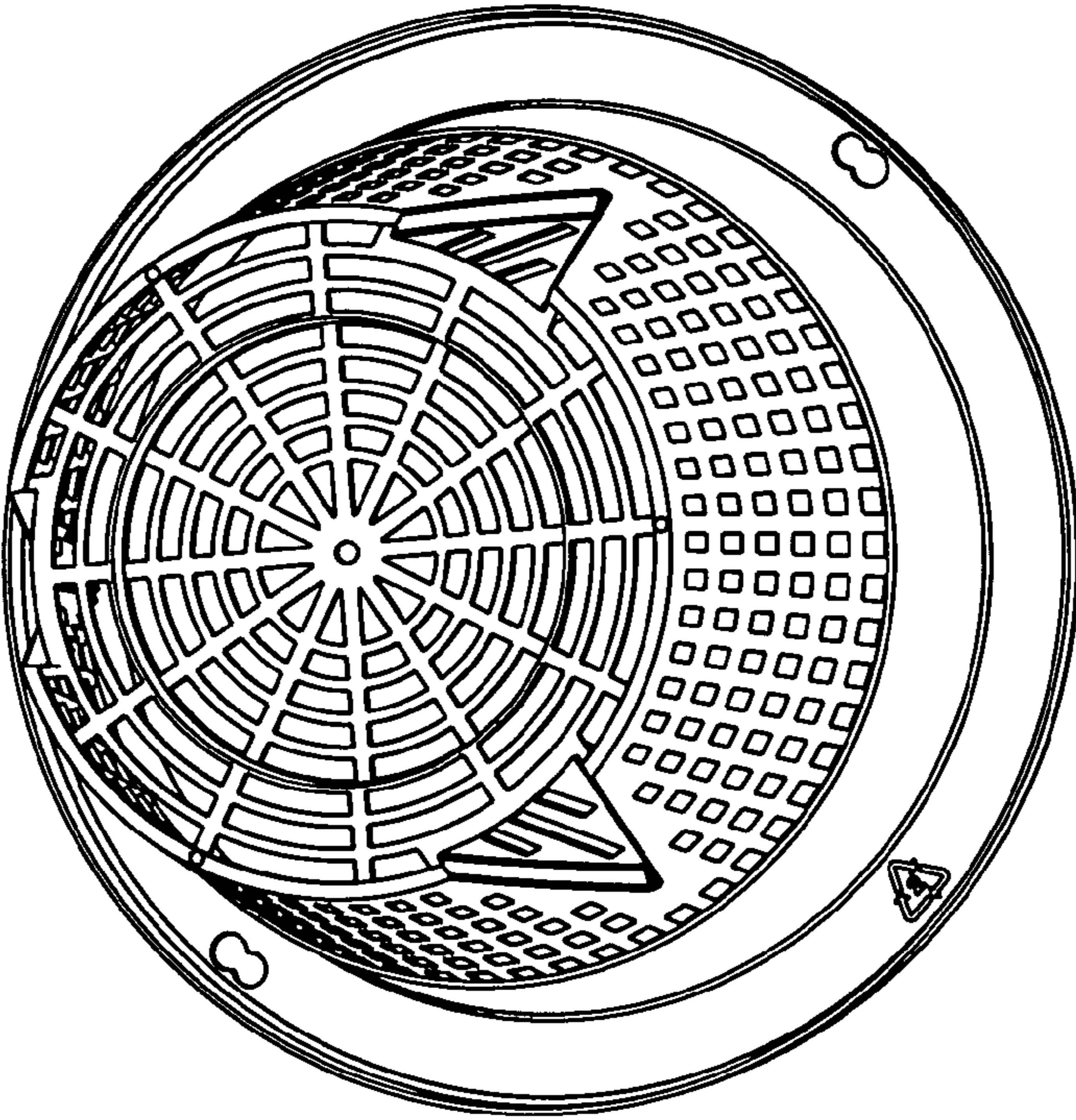


Fig. 3

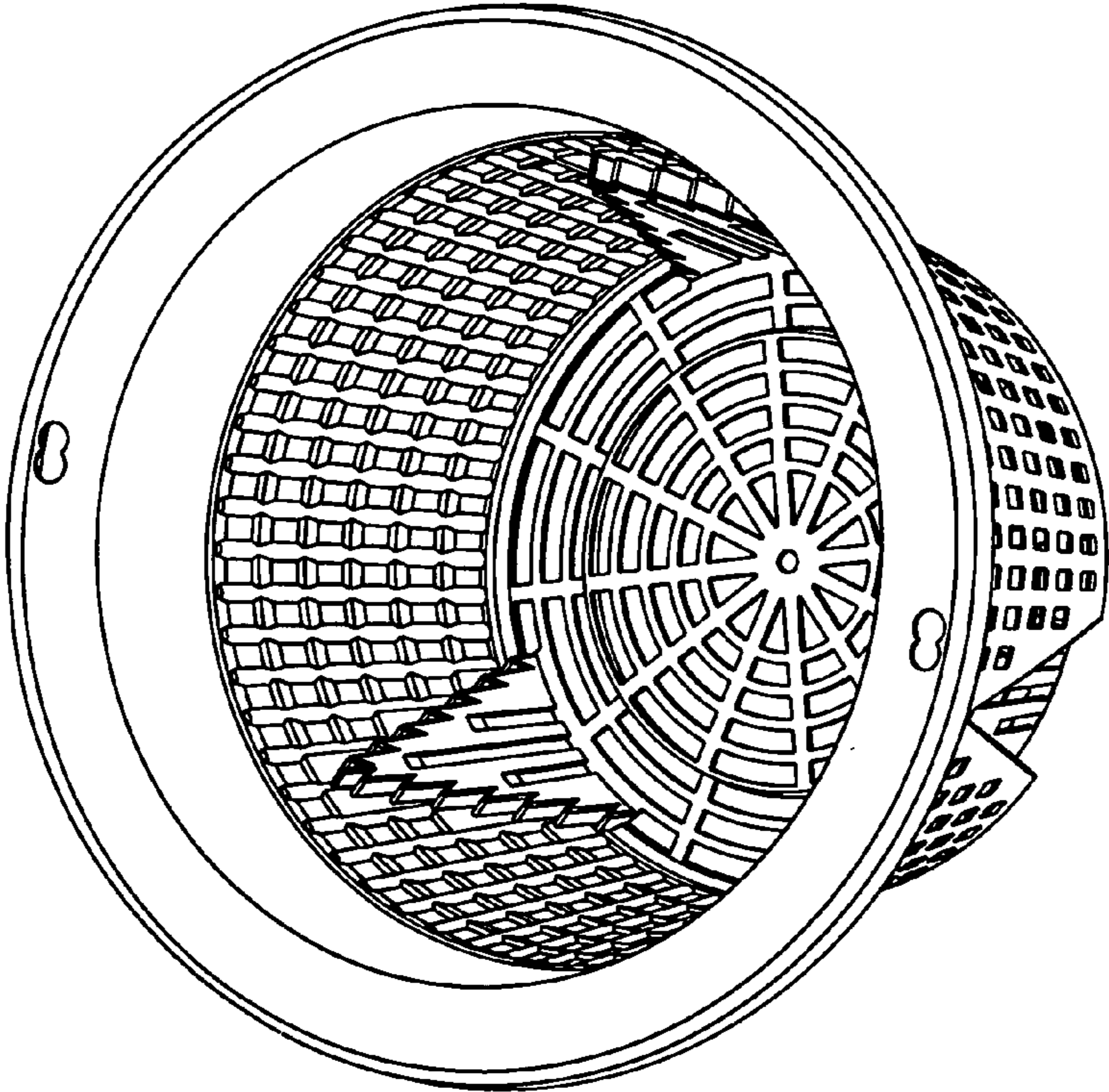


Fig. 4

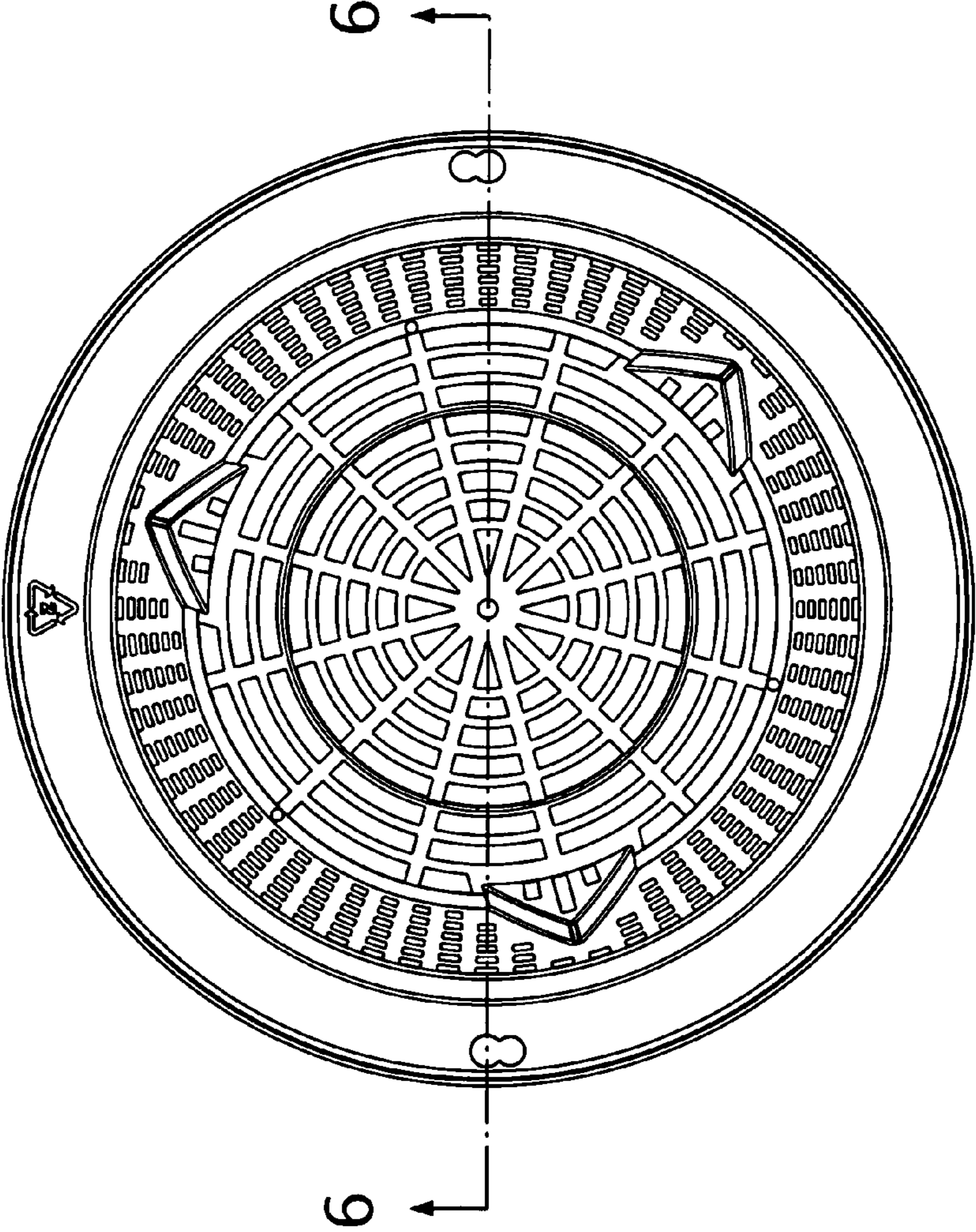


Fig. 5

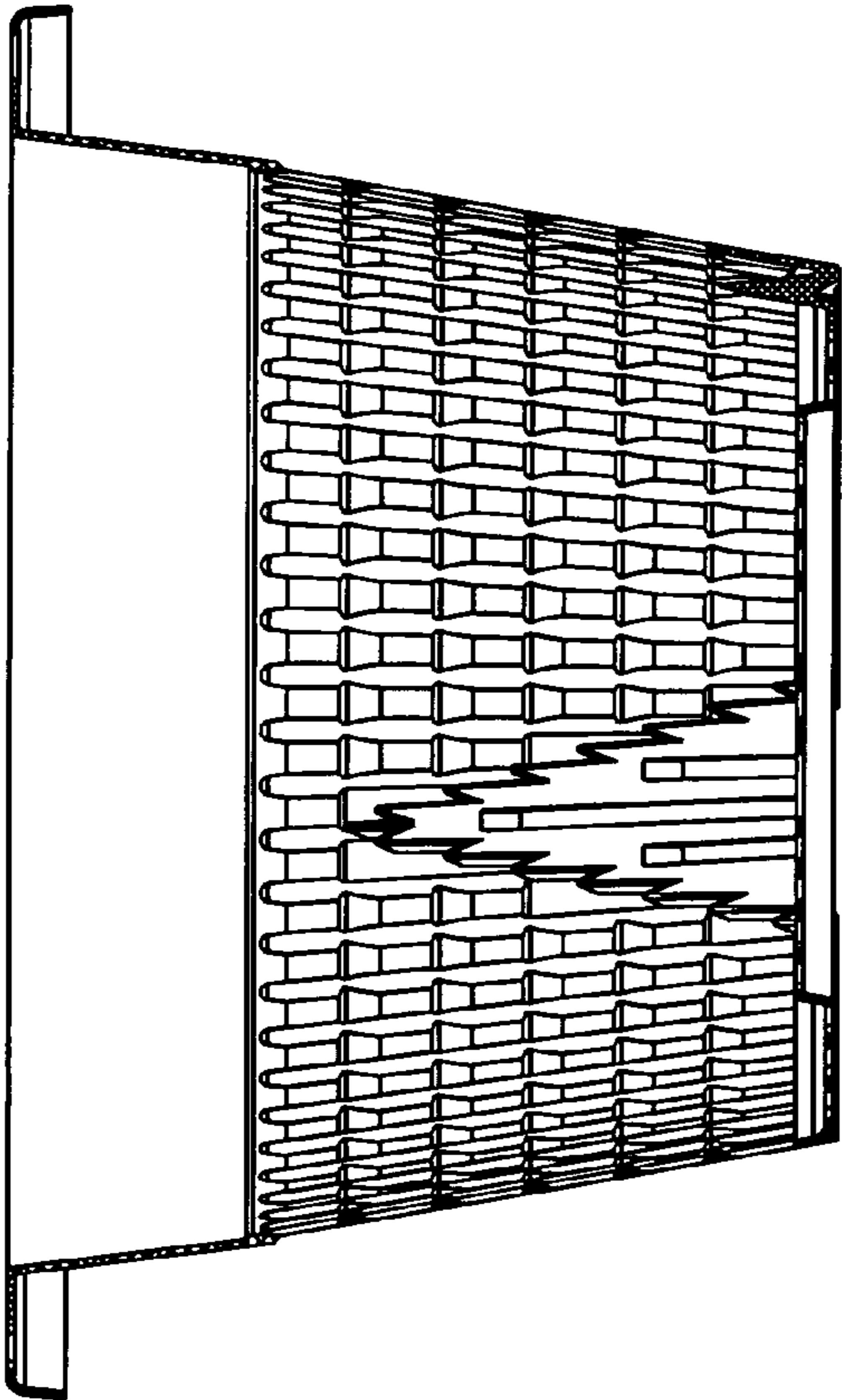


Fig. 6

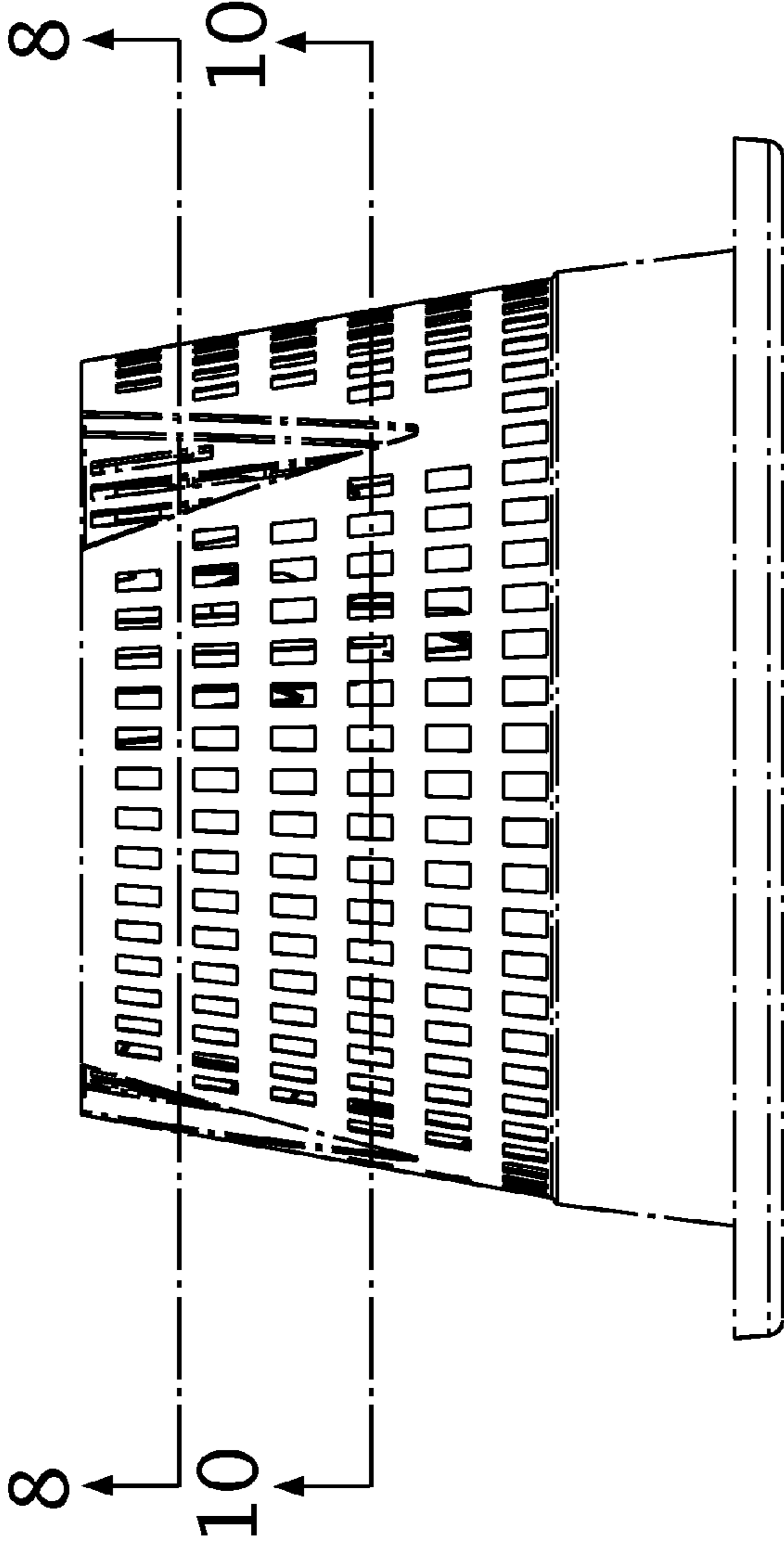


Fig. 7

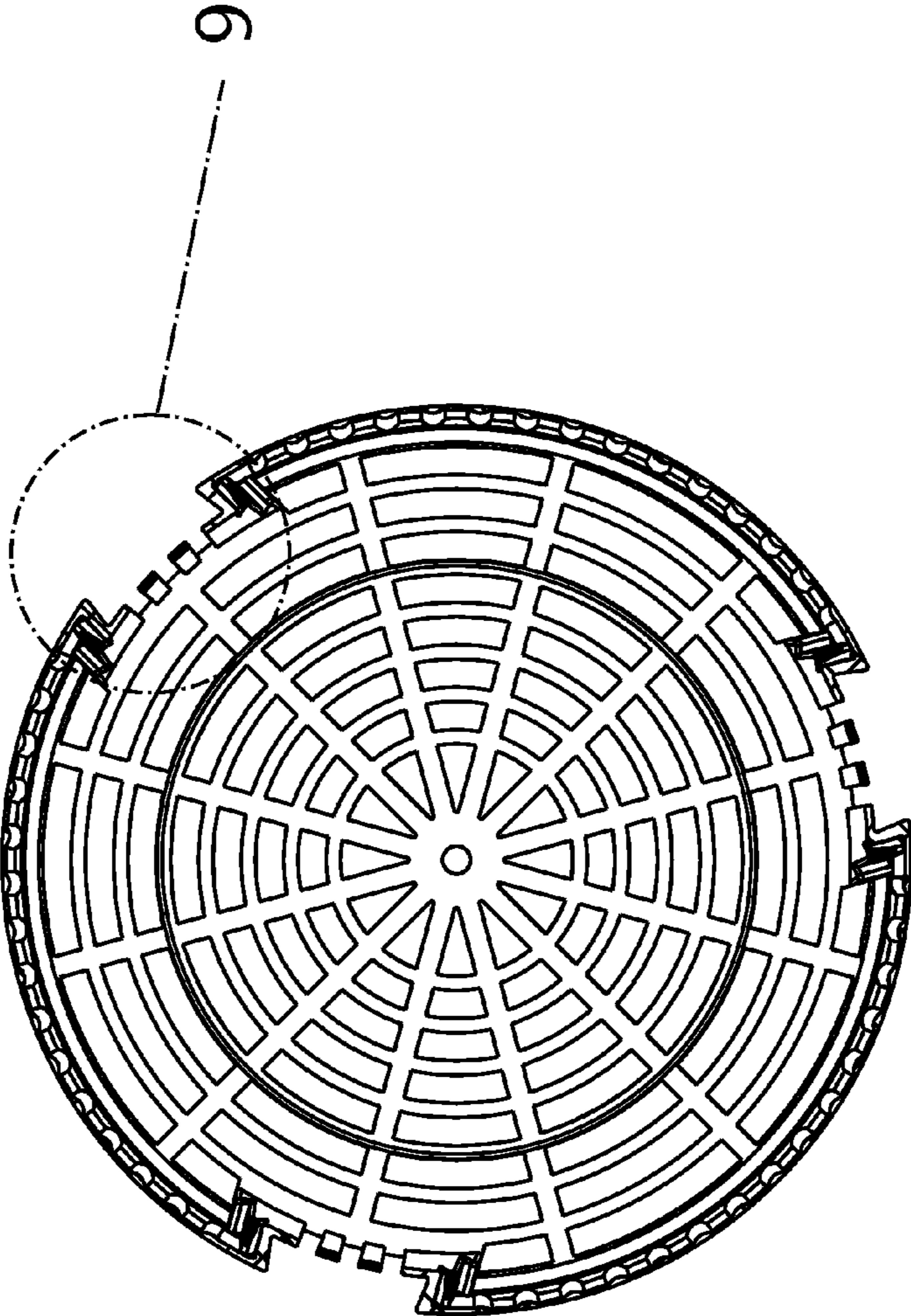


Fig. 8

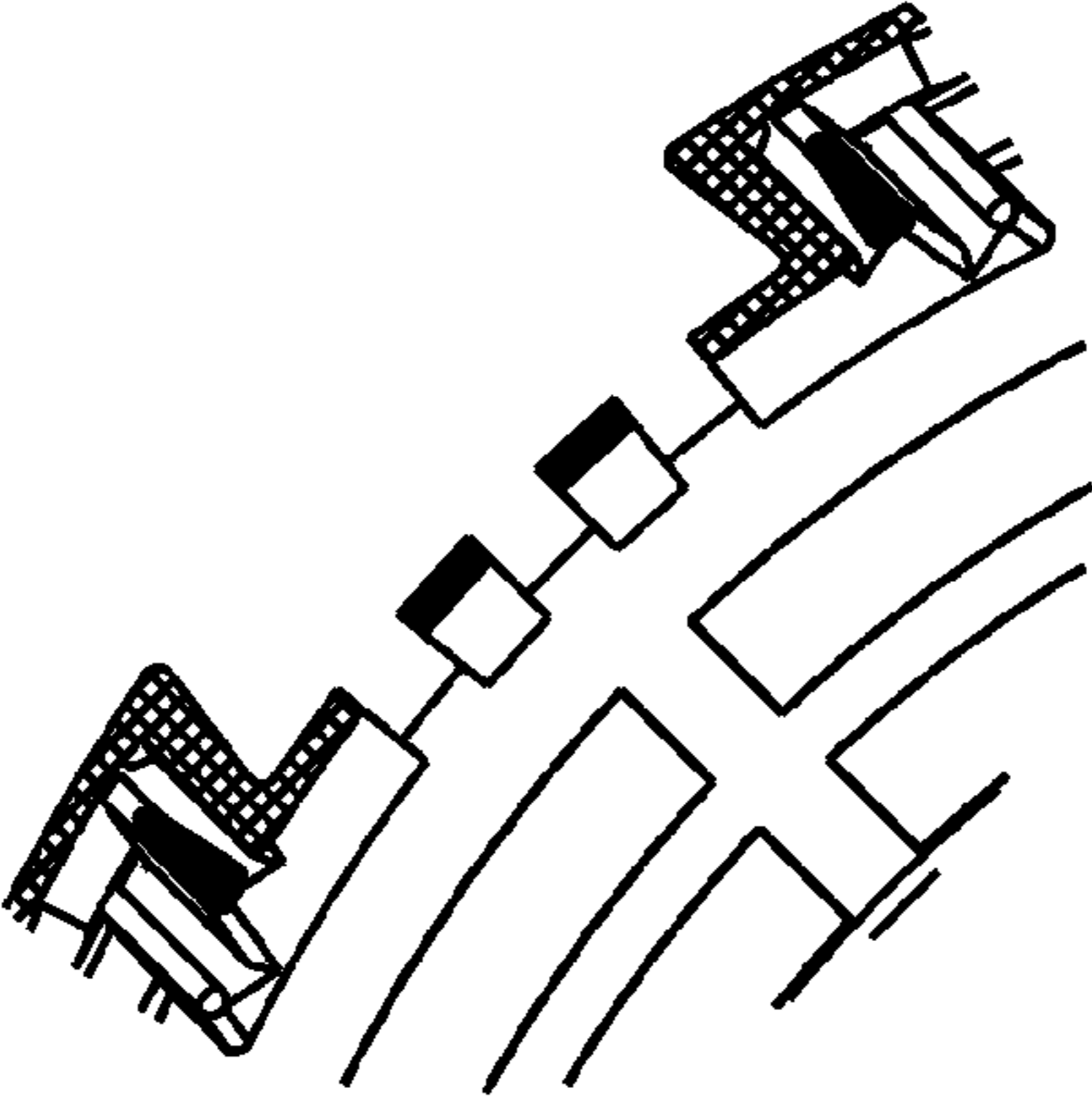


Fig. 9

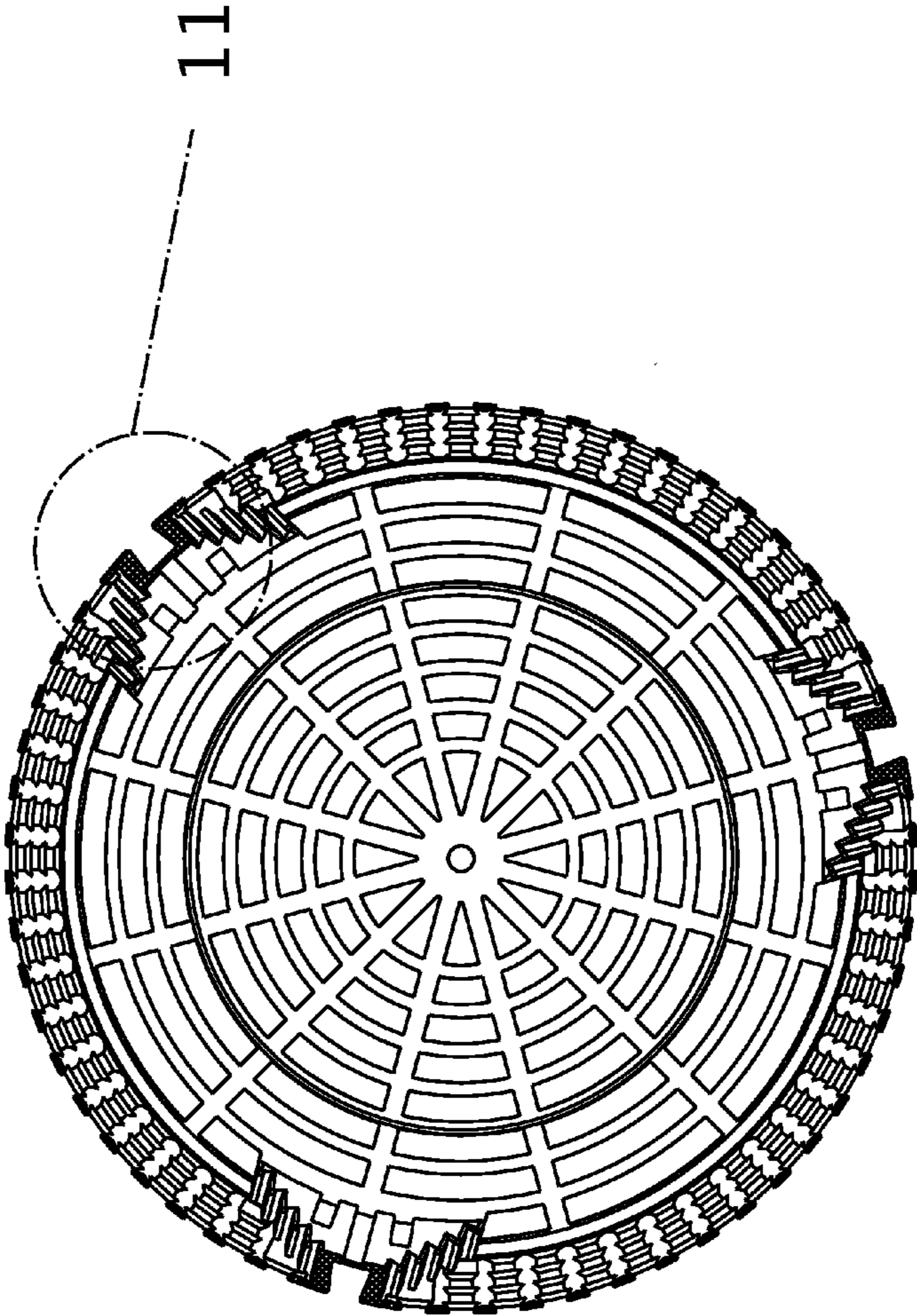


Fig. 10

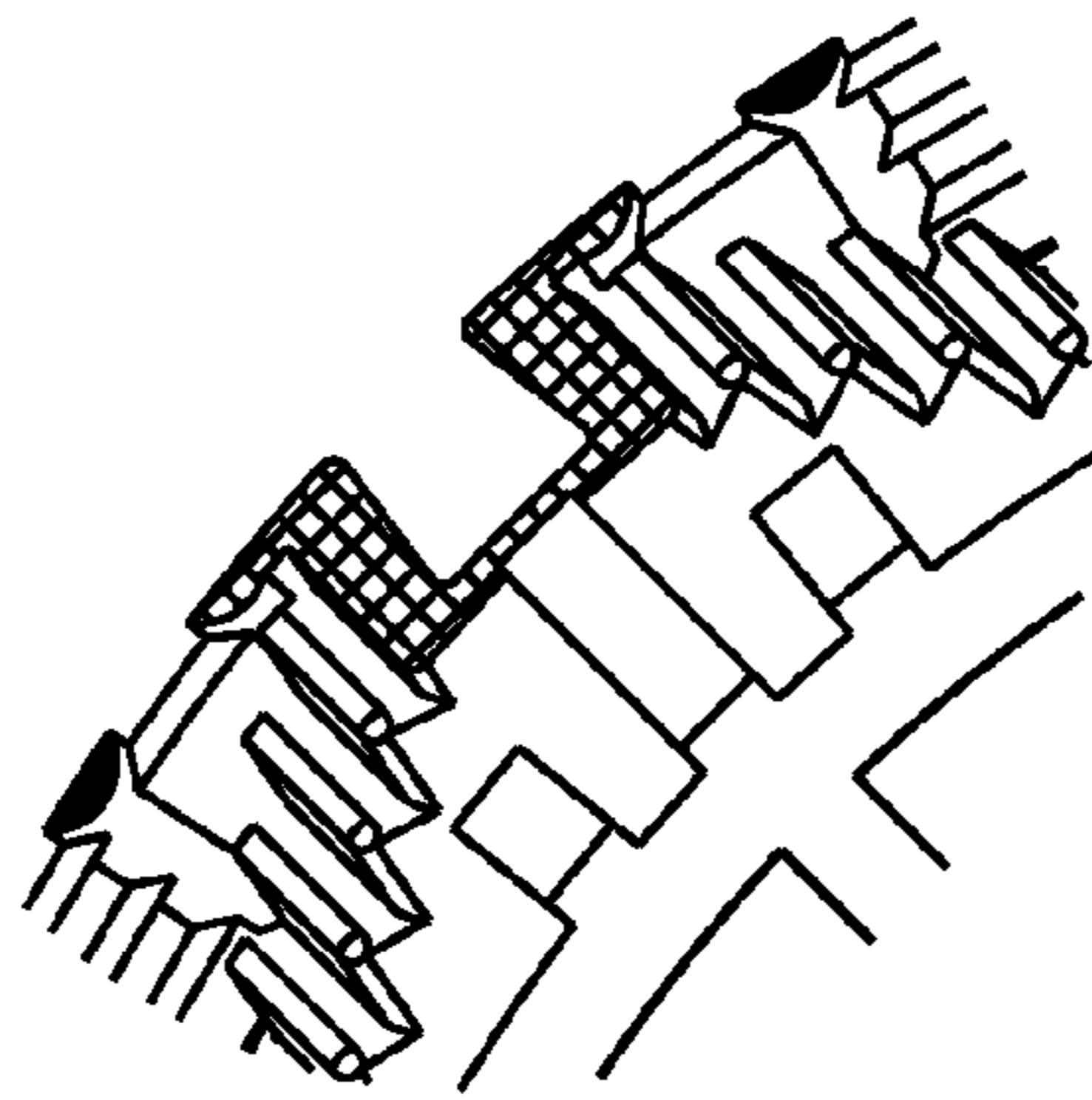


Fig. 11

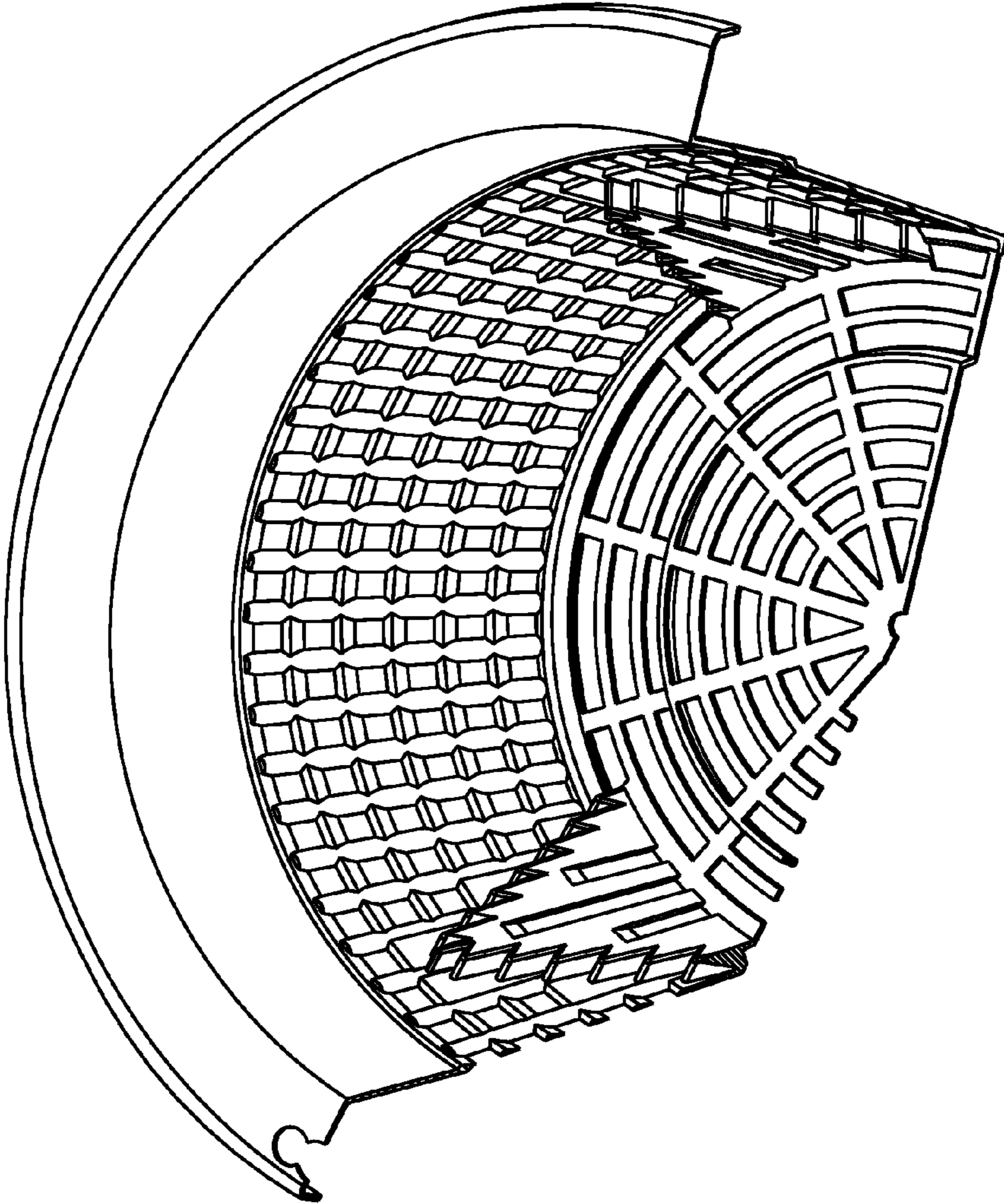


Fig. 12