



US00D663651S

(12) **United States Design Patent**  
**Lee**

(10) **Patent No.:** **US D663,651 S**  
(45) **Date of Patent:** **\*\* Jul. 17, 2012**

(54) **LAWN ORNAMENT**

(76) Inventor: **Justin Lee**, Houston, TX (US)

(\*\*) Term: **14 Years**

(21) Appl. No.: **29/403,368**

(22) Filed: **Oct. 5, 2011**

(51) **LOC (9) Cl.** ..... **11-02**

(52) **U.S. Cl.** ..... **D11/158**

(58) **Field of Classification Search** ..... D11/131,  
D11/157, 158, 117; 428/7-9, 15, 16, 542.2,  
428/542.6

See application file for complete search history.

(56) **References Cited**

**U.S. PATENT DOCUMENTS**

D345,530	S	*	3/1994	Hagey	.....	D11/158
D356,620	S	*	3/1995	Weber et al.	.....	D22/125
D370,972	S	*	6/1996	Dutton	.....	D22/125
5,546,692	A	*	8/1996	Byers	.....	43/2
5,632,110	A	*	5/1997	Roy	.....	43/2
D388,359	S	*	12/1997	Shaw	.....	D11/125
D392,917	S	*	3/1998	Cliff	.....	D11/162
5,791,081	A	*	8/1998	Turner et al.	.....	43/2
5,814,380	A	*	9/1998	Tamborello et al.	.....	428/9
5,943,807	A	*	8/1999	McPherson	.....	43/2
D415,715	S	*	10/1999	Cliff	.....	D11/162

D432,458	S	*	10/2000	Cliff	.....	D11/162
D437,568	S	*	2/2001	De Clerico et al.	.....	D11/158
D438,817	S	*	3/2001	Reaver	.....	D11/157
7,086,193	B1	*	8/2006	Hurst	.....	43/2
D572,335	S	*	7/2008	McKinnon	.....	D22/125
D594,926	S	*	6/2009	Giedd	.....	D22/125
D634,809	S	*	3/2011	Gentle	.....	D22/125
2009/0084017	A1	*	4/2009	Hershberger	.....	43/2

\* cited by examiner

*Primary Examiner* — T. Chase Nelson

*Assistant Examiner* — Michelle E Wilson

(74) *Attorney, Agent, or Firm* — Egbert Law Offices PLLC

(57) **CLAIM**

The ornamental design for a lawn ornament, as shown and described.

**DESCRIPTION**

FIG. 1 is a front perspective view of the lawn ornament showing my design.

FIG. 2 is a front view thereof;

FIG. 3 is a rear view thereof;

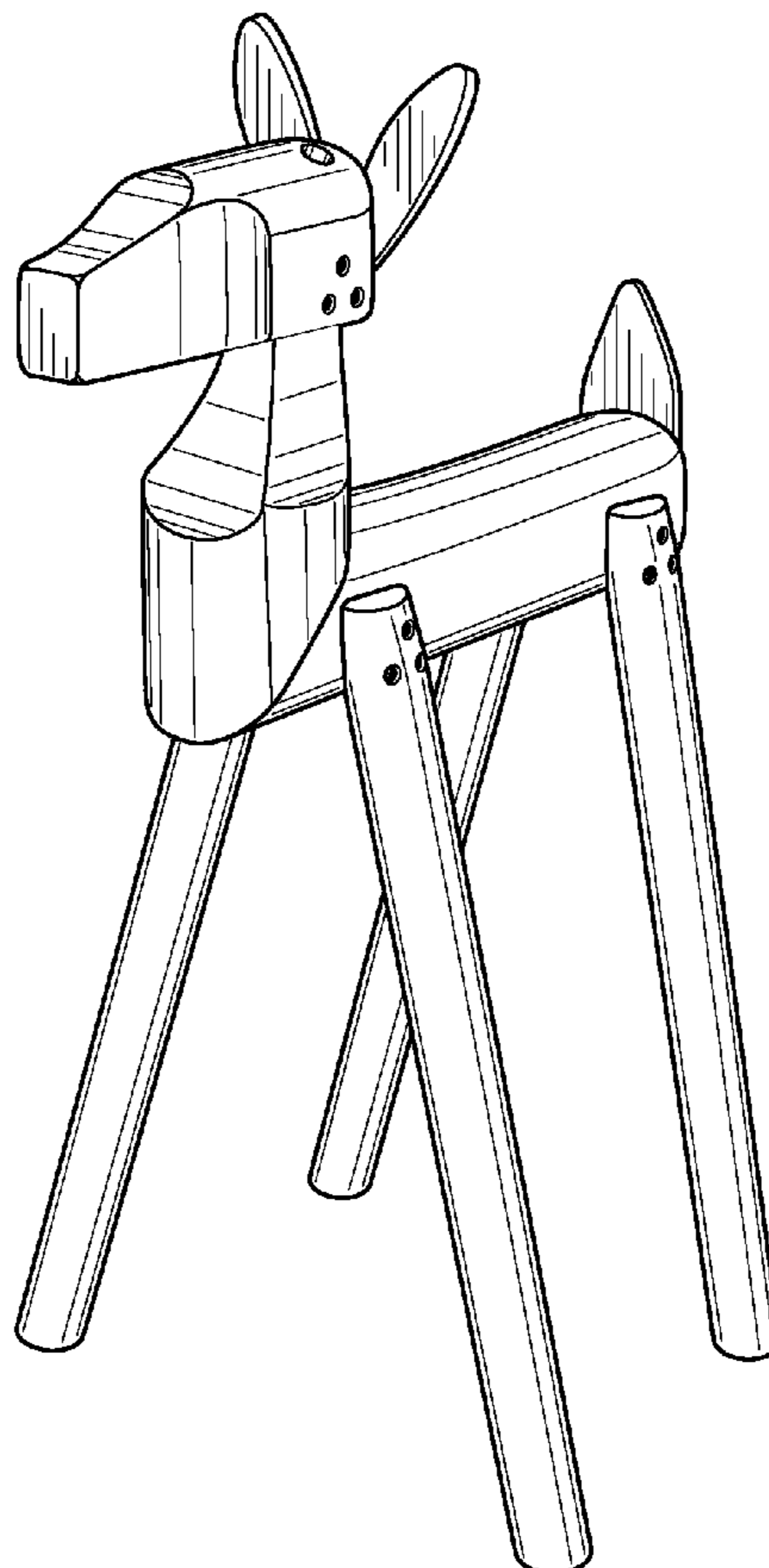
FIG. 4 is a side view thereof;

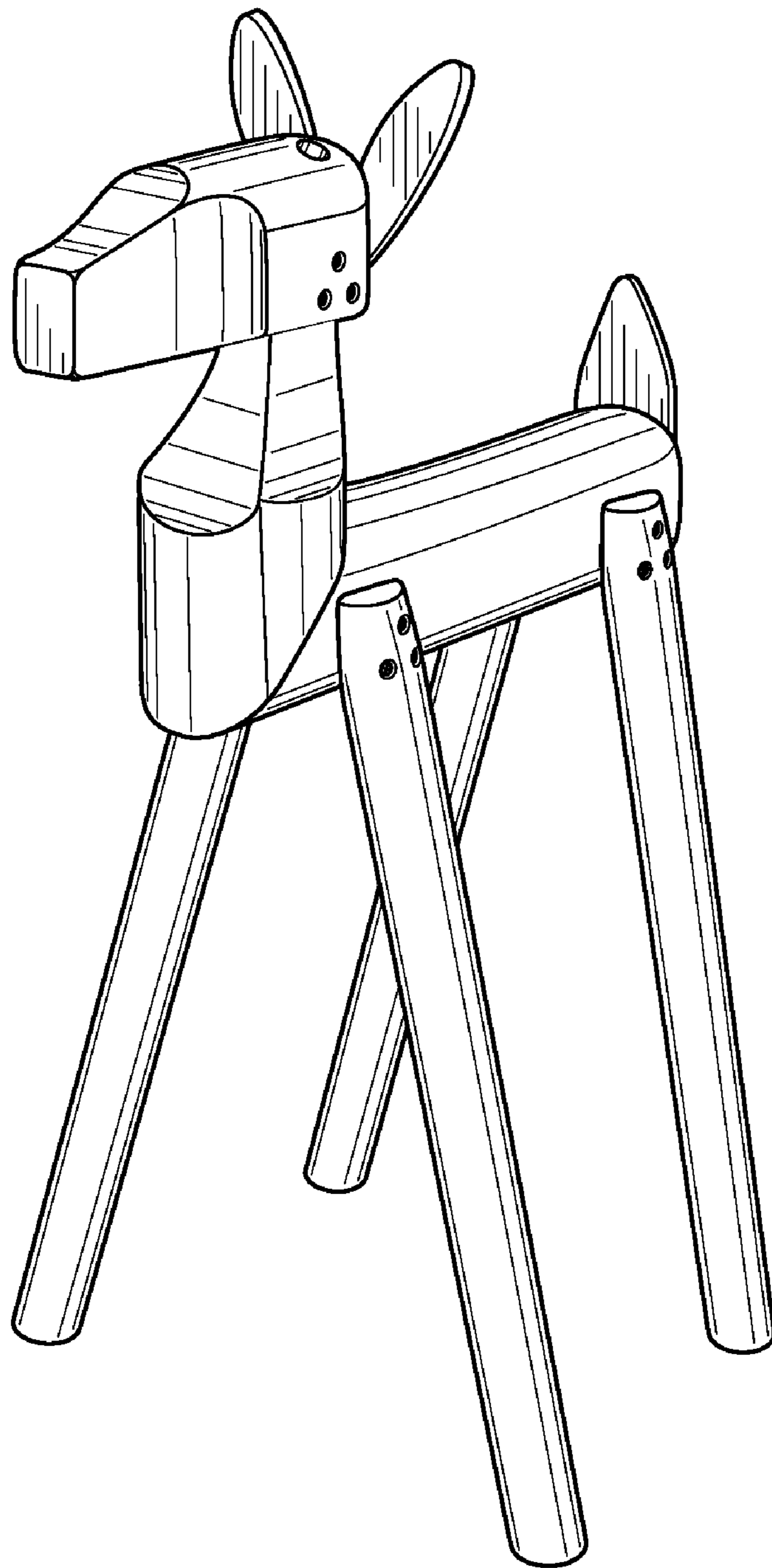
FIG. 5 is an opposite side view thereof;

FIG. 6 is a top view thereof; and,

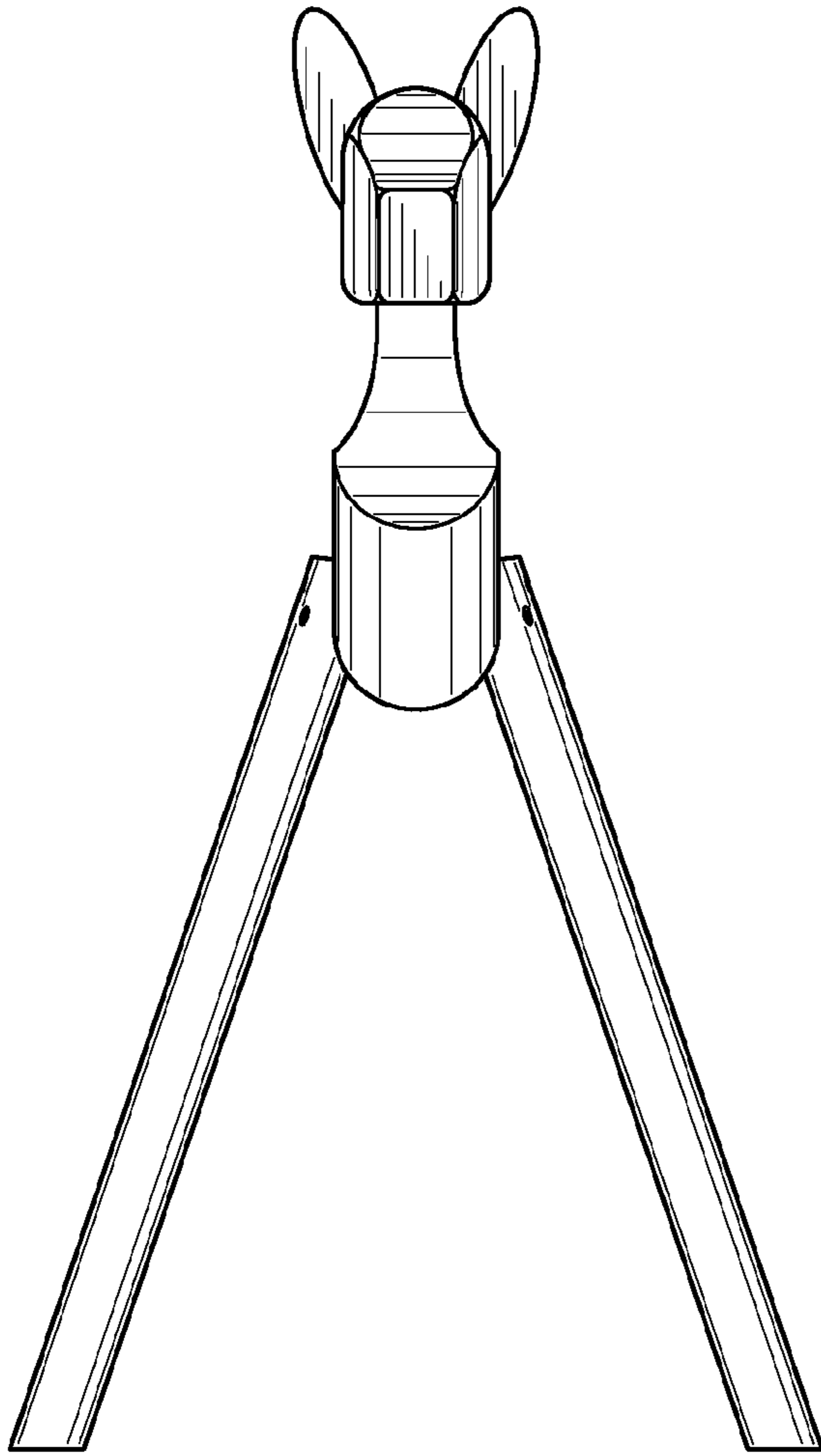
FIG. 7 is a bottom view thereof.

**1 Claim, 4 Drawing Sheets**

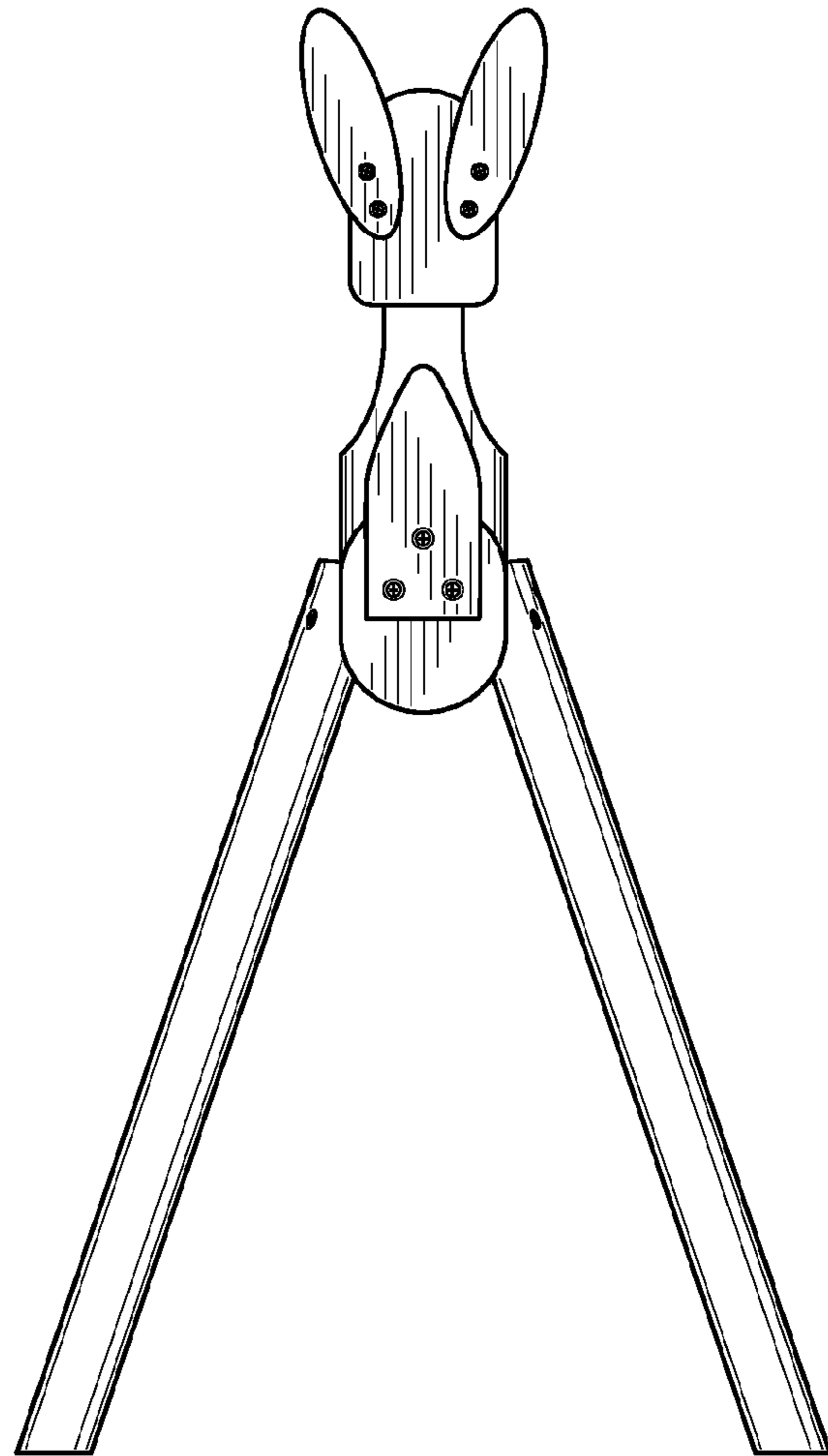




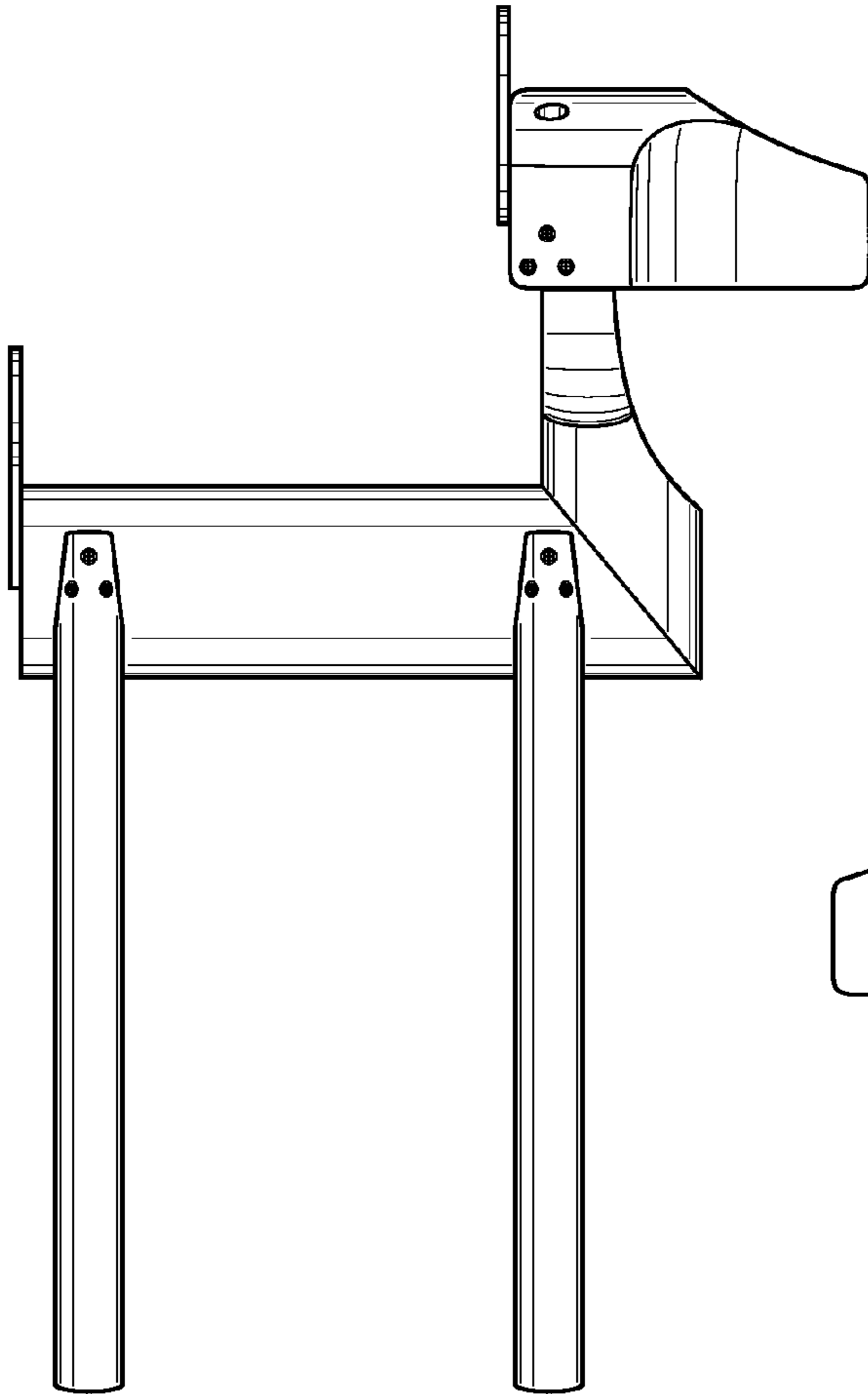
**FIG. 1**



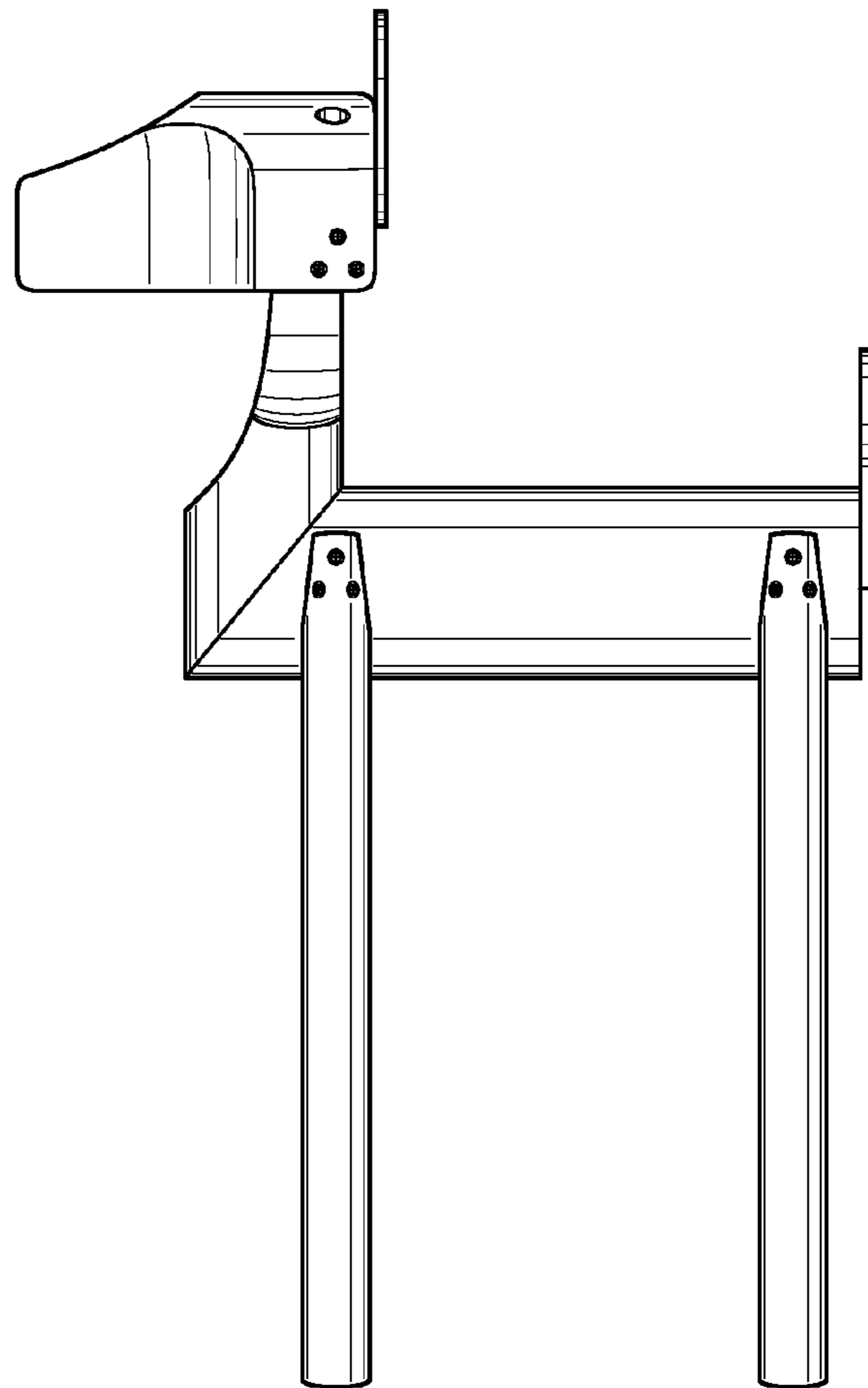
*FIG. 2*



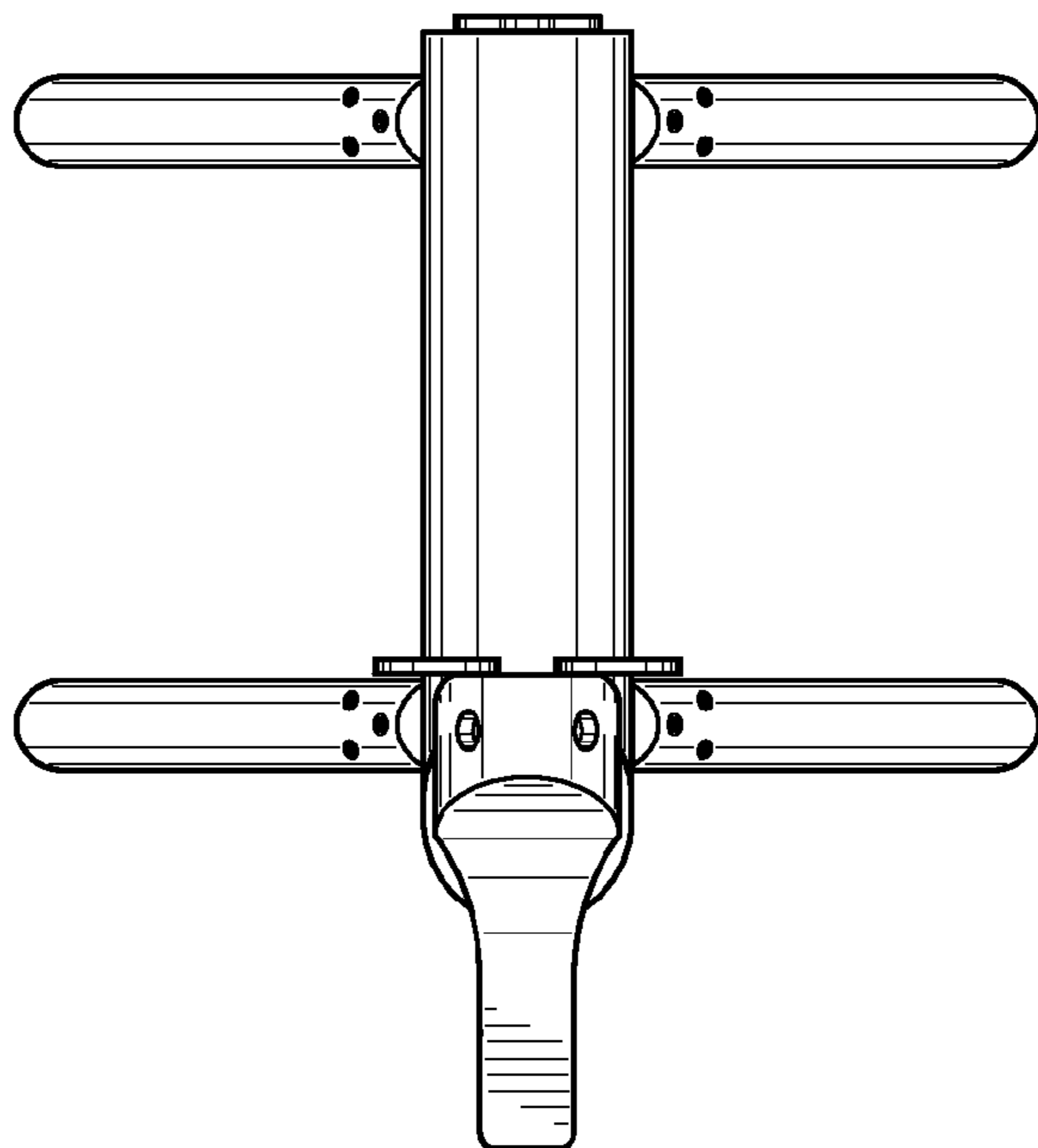
*FIG. 3*



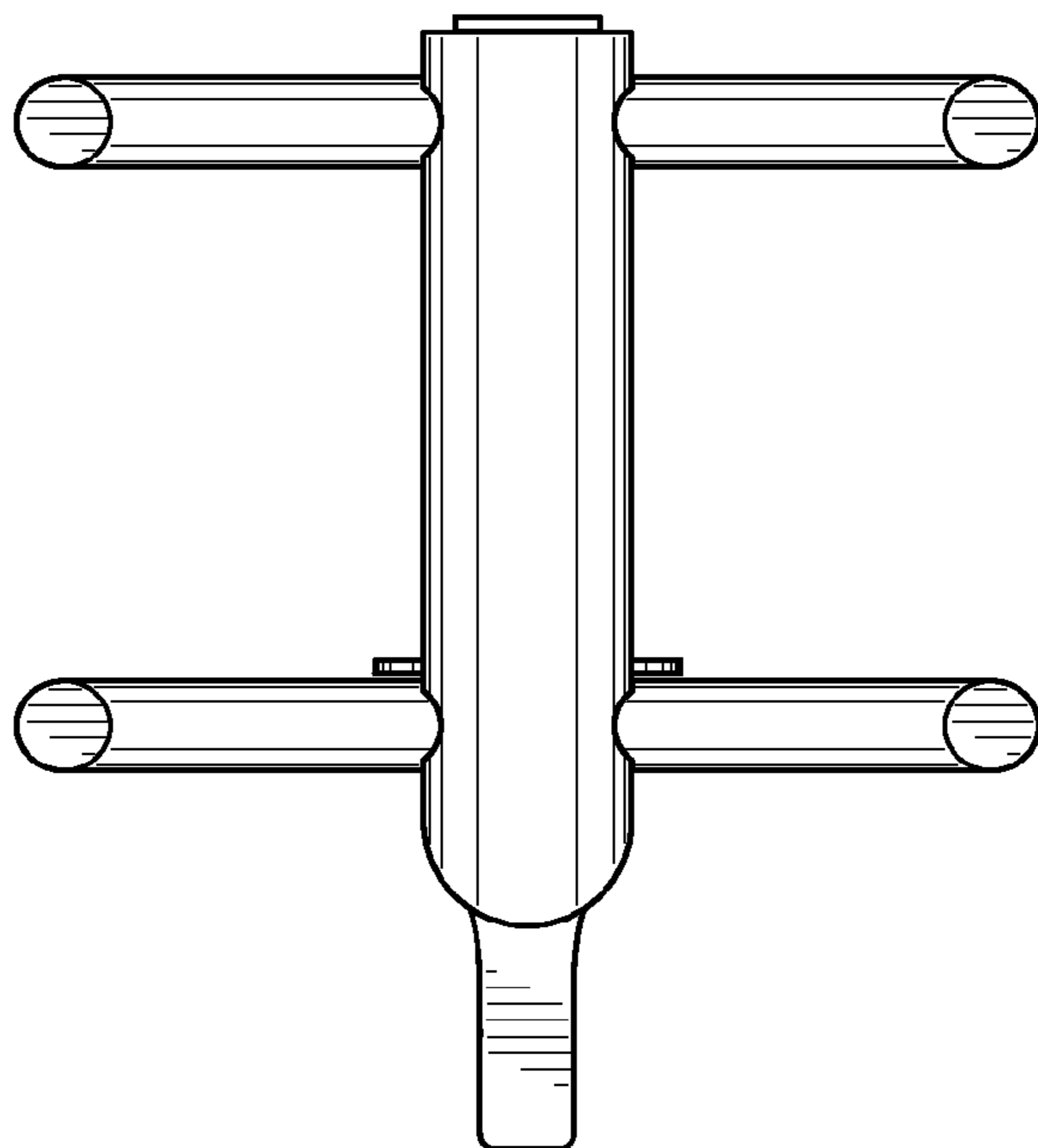
*FIG. 4*



*FIG. 5*



*FIG. 6*



*FIG. 7*