



US00D663650S

(12) **United States Design Patent**
Siman-Tov et al.

(10) **Patent No.:** **US D663,650 S**
(45) **Date of Patent:** **** Jul. 17, 2012**

(54) **GEMSTONE**

(75) Inventors: **Jacob Siman-Tov**, Netanya (IL); **Itzhak Siman-Tov**, Moshav Udim (IL); **Avraham Siman-Tov**, Netanya (IL)

(73) Assignee: **Lili Diamonds**, Ramat Gan (IL)

(**) Term: **14 Years**

(21) Appl. No.: **29/403,528**

(22) Filed: **Oct. 7, 2011**

(51) **LOC (9) Cl.** **11-01**

(52) **U.S. Cl.** **D11/90**

(58) **Field of Classification Search** D11/1-2,
D11/26-29, 89-92; 63/26-28, 32
See application file for complete search history.

(56) **References Cited**

U.S. PATENT DOCUMENTS

4,020,649 A * 5/1977 Grossbard 63/32
D251,659 S * 4/1979 Grossbard D11/90

D350,708 S * 9/1994 Bachar D11/90
D418,444 S * 1/2000 Callahan D11/90
D465,431 S * 11/2002 Kanner D11/90
D502,665 S * 3/2005 Siman-Tov et al. D11/90

* cited by examiner

Primary Examiner — Ralf Seifert

(74) *Attorney, Agent, or Firm* — Christopher & Weisberg, P.A.

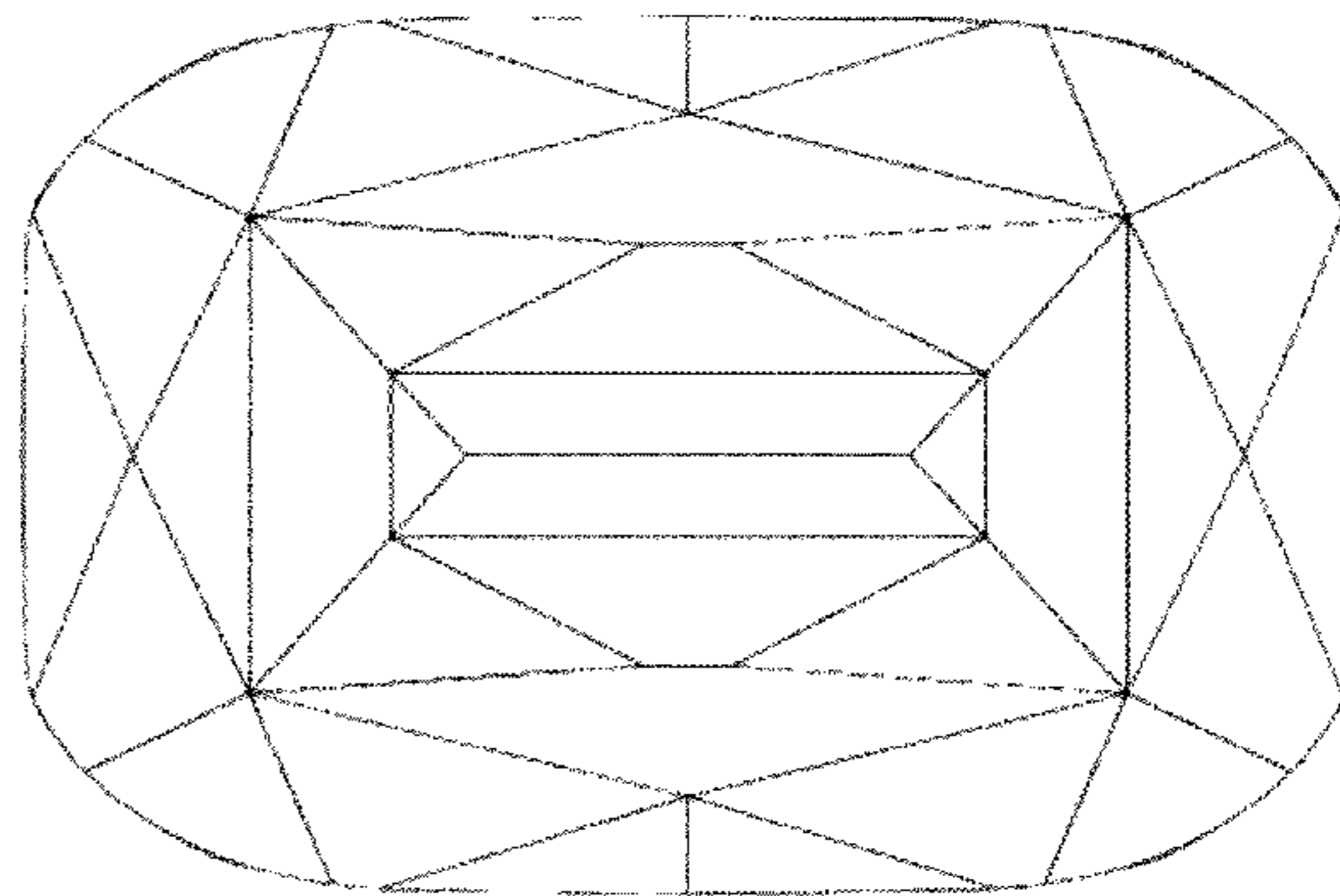
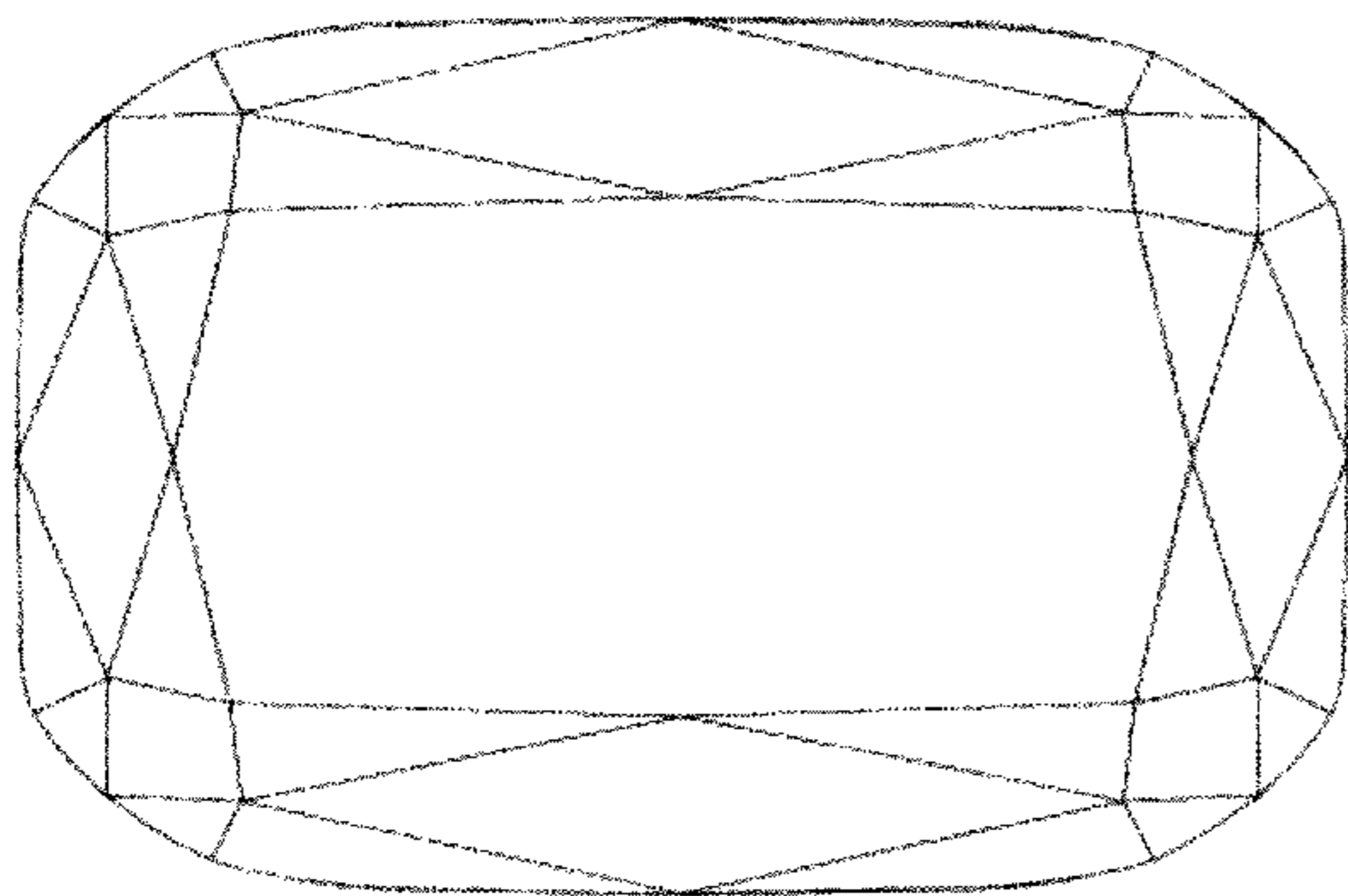
(57) **CLAIM**

The ornamental design for a gemstone, as shown.

DESCRIPTION

FIG. 1 is an upper perspective view of the gemstone;
FIG. 2 is a lower perspective view thereof;
FIG. 3 is a top view thereof;
FIG. 4 is a first side view thereof;
FIG. 5 is a second side view thereof;
FIG. 6 is a bottom view thereof;
FIG. 7 is a first end view thereof; and,
FIG. 8 is a second end view.

1 Claim, 4 Drawing Sheets



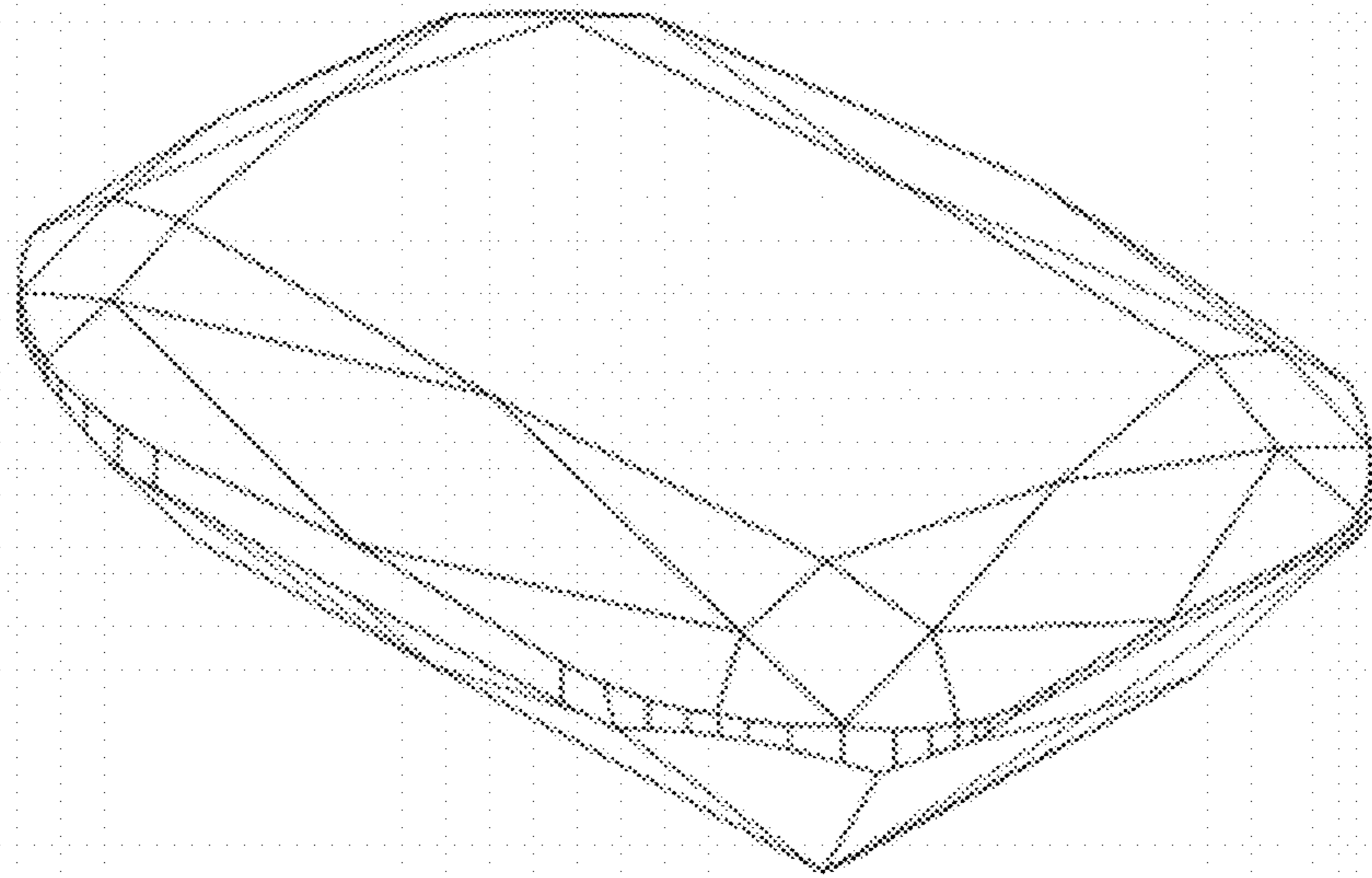


FIG.1

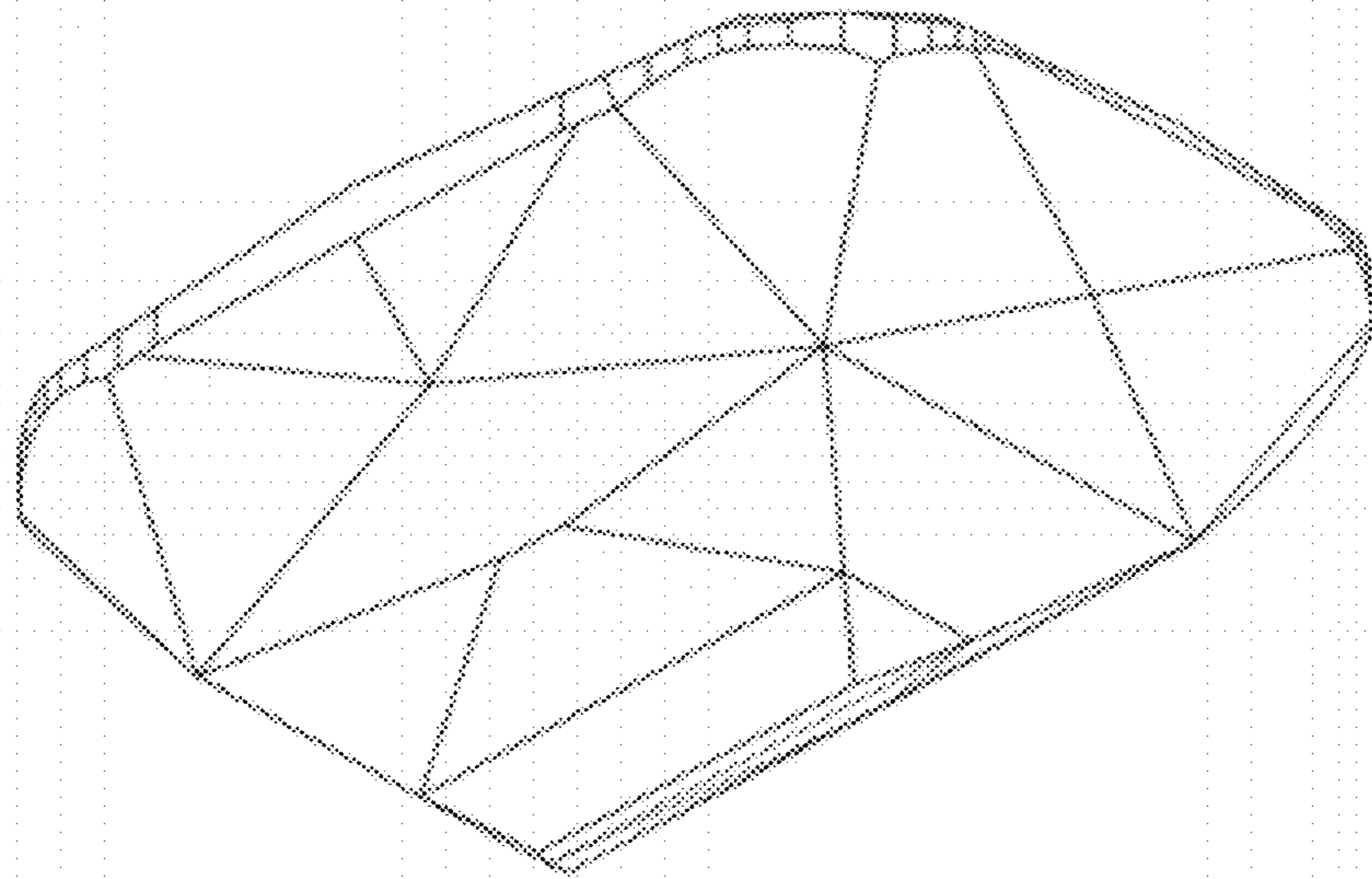


FIG.2

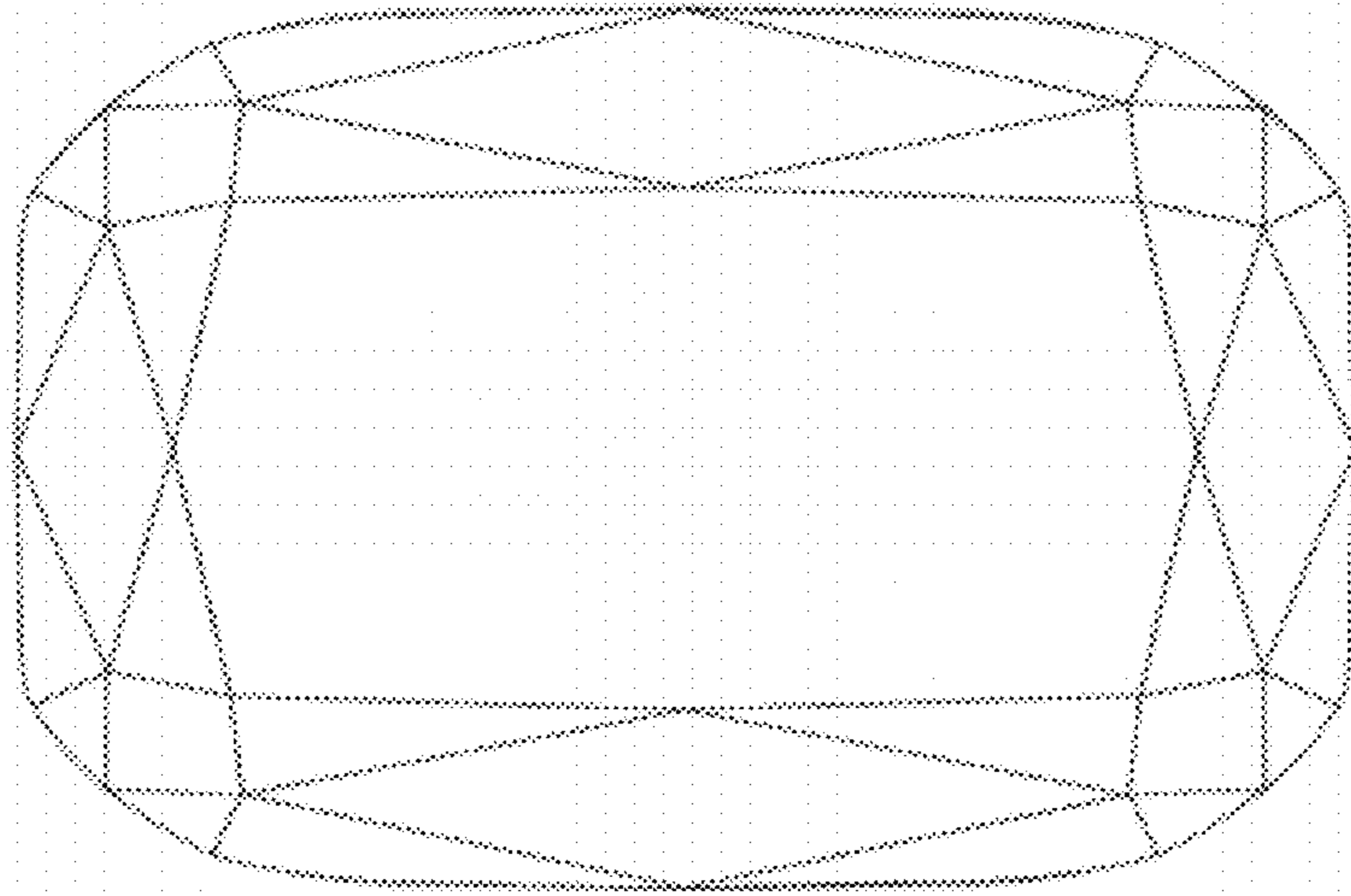


FIG.3

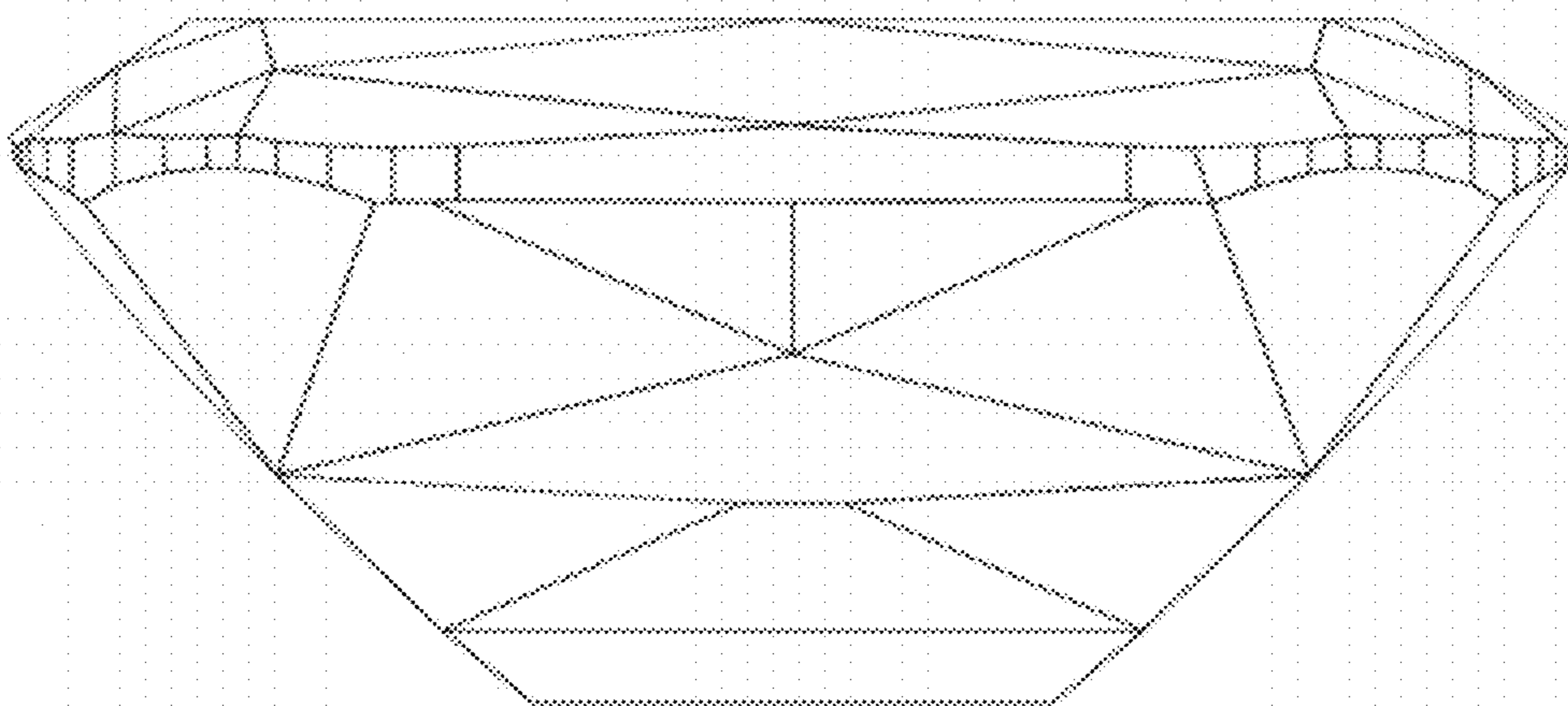


FIG.4

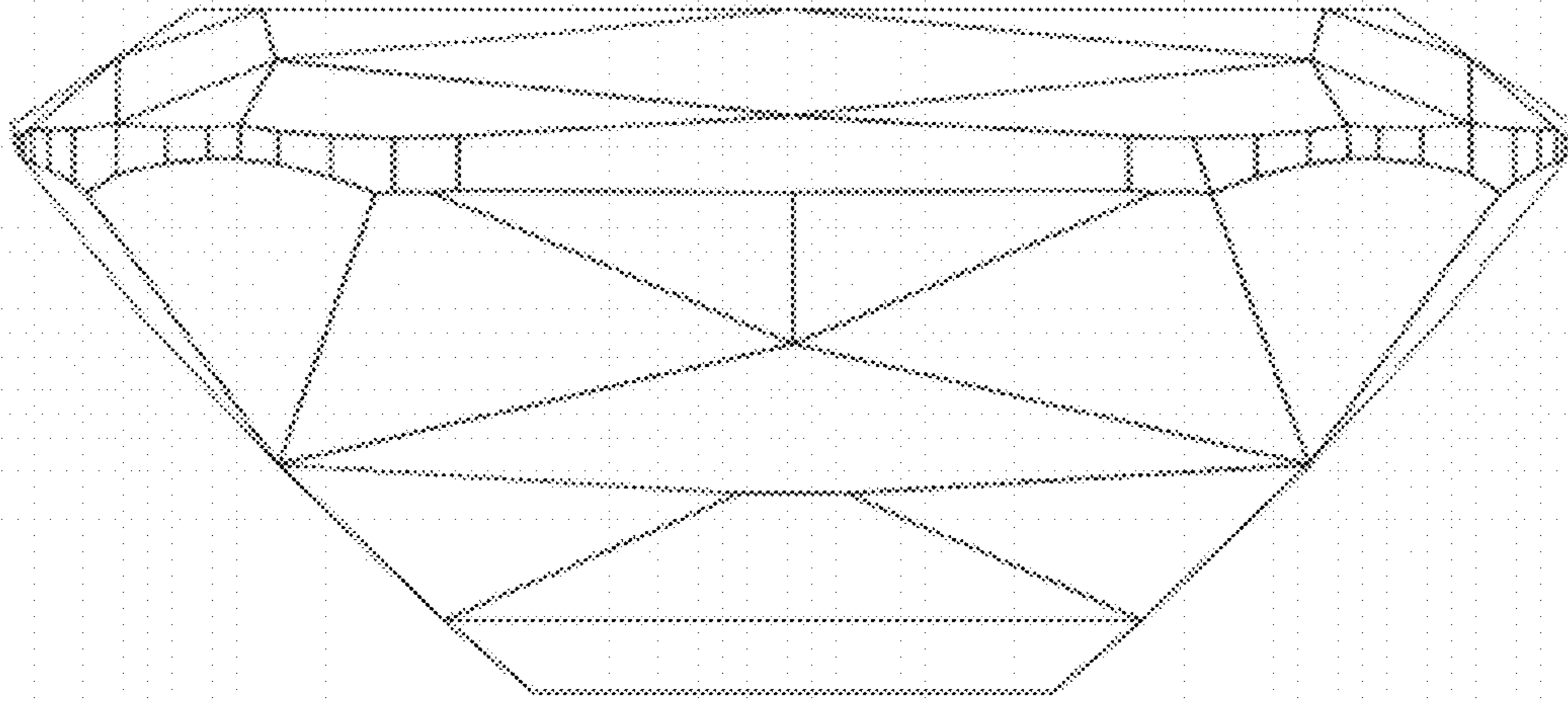


FIG. 5

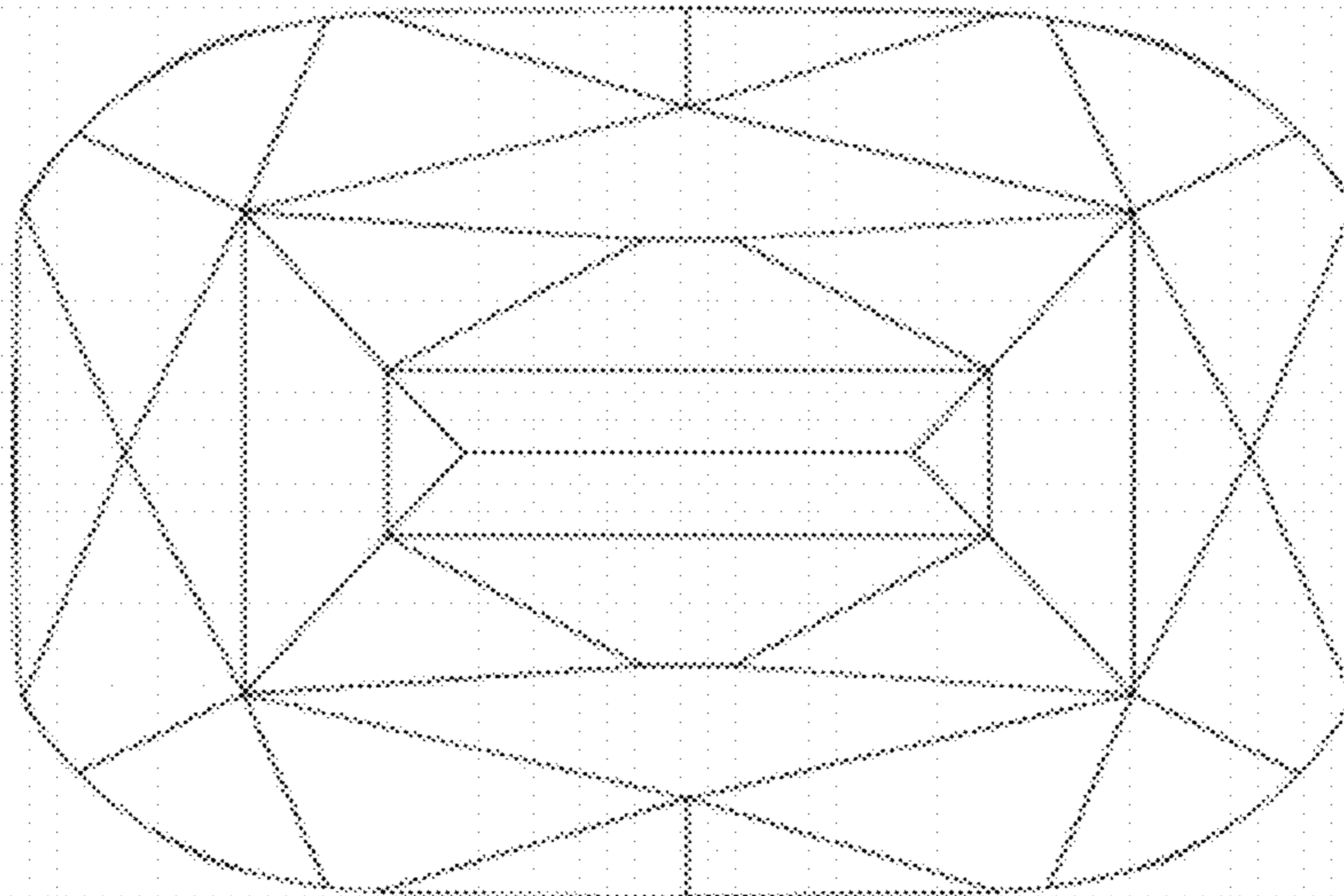


FIG. 6

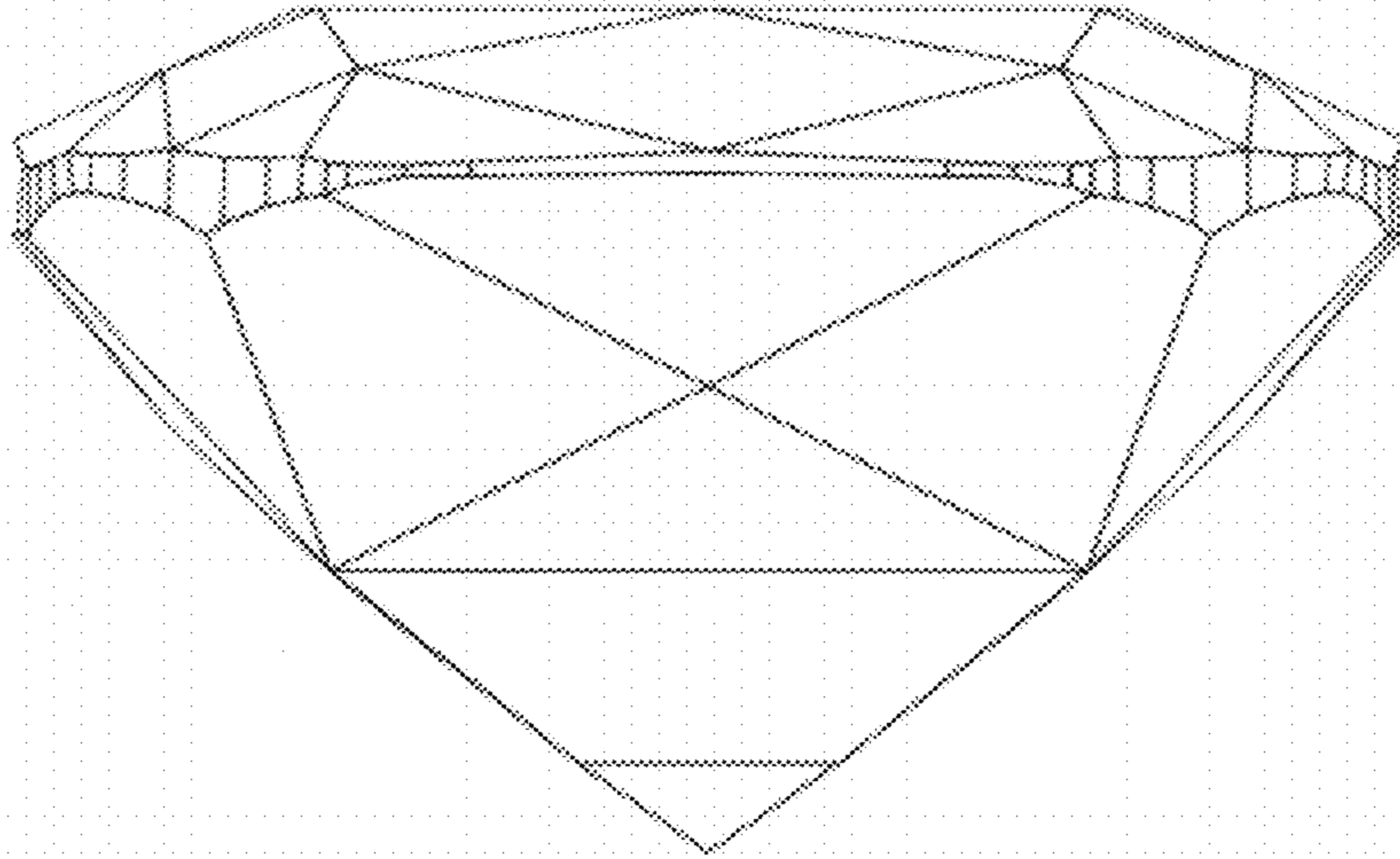


FIG. 7

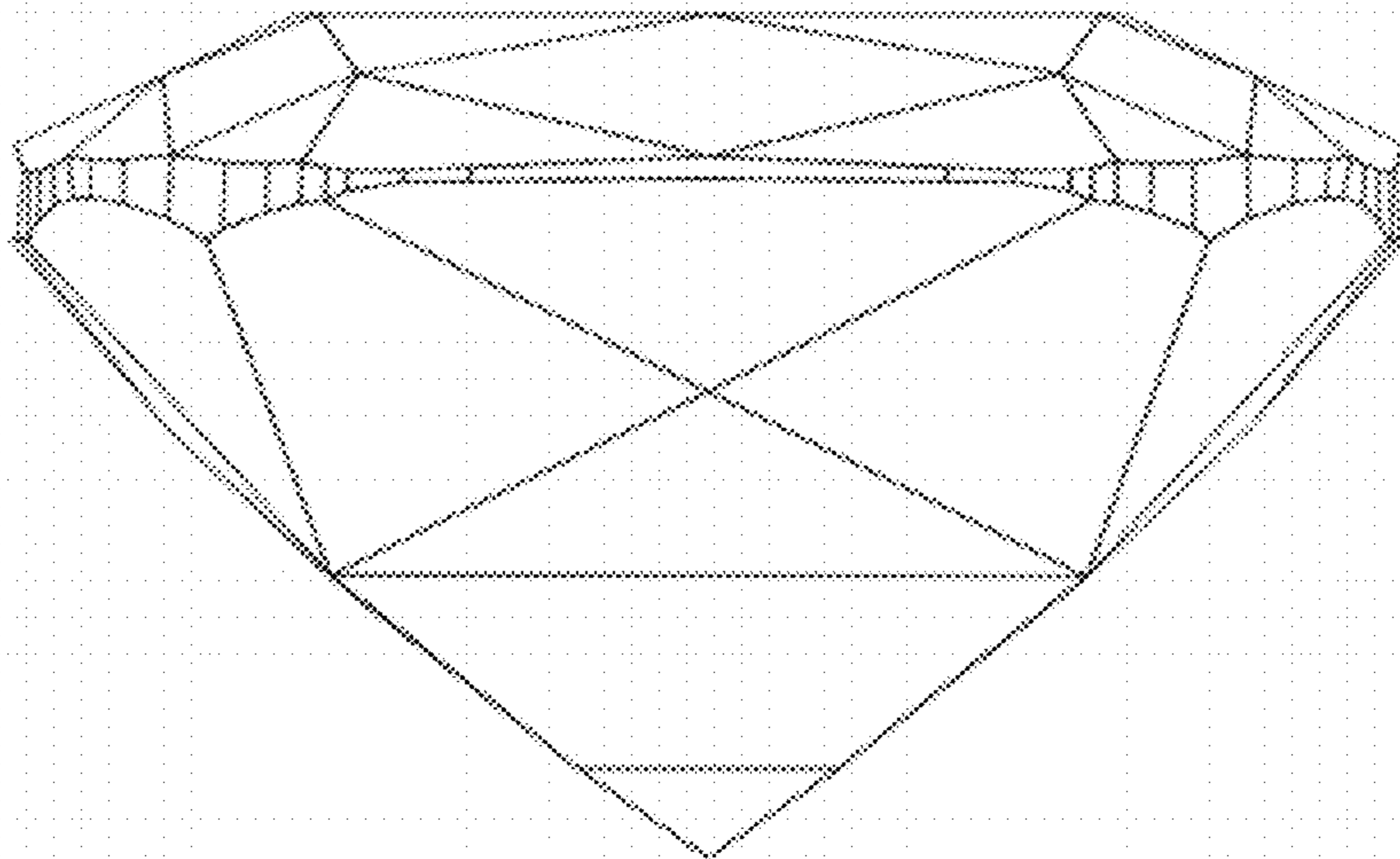


FIG. 8