



US00D663648S

(12) **United States Design Patent**
Monson et al.

(10) **Patent No.:** **US D663,648 S**
(45) **Date of Patent:** **** Jul. 17, 2012**

(54) **JEWELRY ELEMENT**

(75) Inventors: **Corrie Monson**, Brooklyn, NY (US);
Christine Corr, New York, NY (US)

(73) Assignee: **Henri Bendel, Inc.**, New York, NY (US)

(**) Term: **14 Years**

(21) Appl. No.: **29/395,136**

(22) Filed: **Dec. 1, 2011**

(51) **LOC (9) Cl.** **11-01**

(52) **U.S. Cl.** **D11/1; D11/79; D11/26**

(58) **Field of Classification Search** D11/26-39,
D11/4-5, 79-86; 63/15, 15.1-15.4, 15.45,
63/15.5, 15.6, 15.65, 15.7, 3, 12, 13
See application file for complete search history.

(56) **References Cited**

U.S. PATENT DOCUMENTS

| | | | |
|---------------|---------|--------------------------|---------|
| 289,912 A * | 12/1883 | Huleu | 63/41 |
| 1,936,604 A * | 11/1933 | Moldenhauer | 63/15 |
| D138,882 S * | 9/1944 | Drell | D11/227 |
| D170,661 S * | 10/1953 | Semensohn | D11/40 |
| D387,300 S * | 12/1997 | Morrison | D11/40 |
| D424,967 S * | 5/2000 | Perrin et al. | D11/28 |
| D480,981 S * | 10/2003 | Pasquetti | D11/26 |
| D563,257 S * | 3/2008 | Schumacher | D11/26 |
| D619,003 S * | 7/2010 | Benoit-Gonin et al. | D9/453 |

D628,117 S * 11/2010 Speegle D11/79
D631,382 S * 1/2011 Iacomucci D11/26

* cited by examiner

Primary Examiner — Cathron Brooks

Assistant Examiner — Melanie Pellegrini

(74) *Attorney, Agent, or Firm* — Ward & Zinna, LLC

(57) **CLAIM**

The ornamental design for a jewelry element, as shown and described.

DESCRIPTION

FIG. 1 is a perspective view of the jewelry element according to the present invention;

FIG. 2 is a front view of thereof, the back being identical view thereof;

FIG. 3 is a side view thereof, the other side being identical view thereof;

FIG. 4 is a top view thereof;

FIG. 5 is a bottom view thereof;

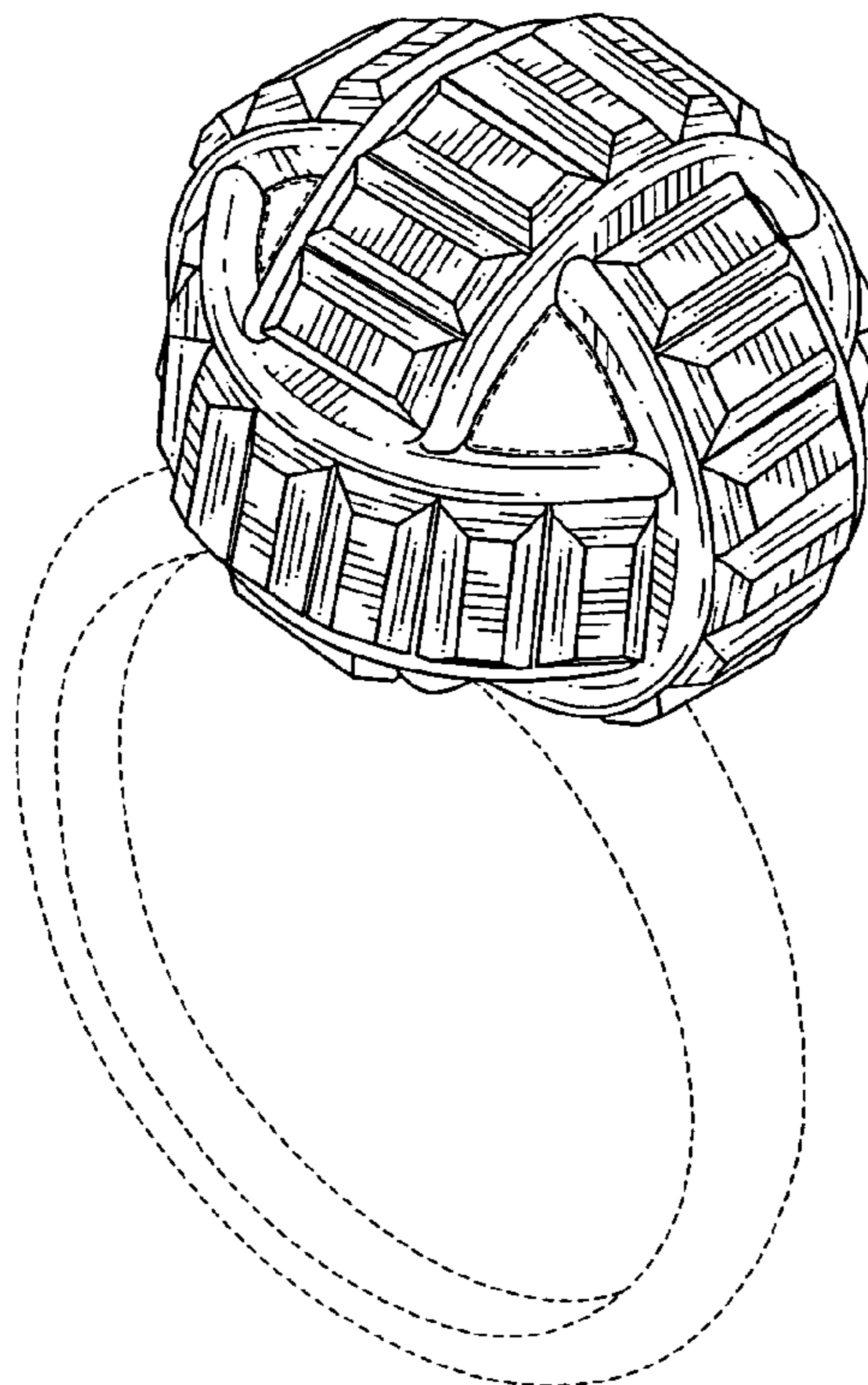
FIG. 6 is a front view of the jewelry element shown with alternate unclaimed environmental structure, the back being identical view thereof;

FIG. 7 is a front perspective view of the jewelry element shown with alternate unclaimed environmental structure; and,

FIG. 8 is a back perspective view of the jewelry element shown with alternate unclaimed environmental structure.

The broken lines shown in the drawings are included for the purpose of illustrating the environment of the design and form no part of the claimed design.

1 Claim, 7 Drawing Sheets



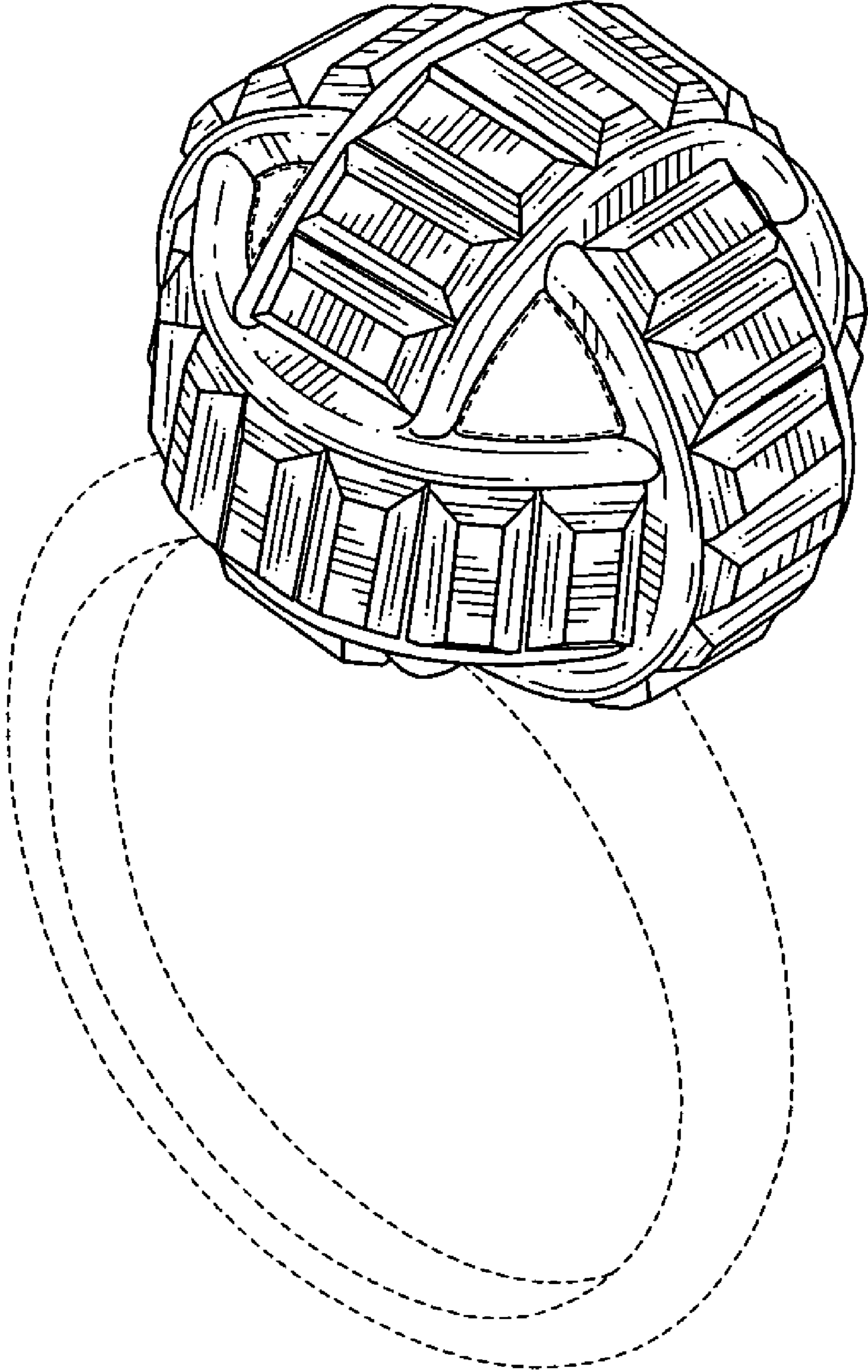


FIG. 1

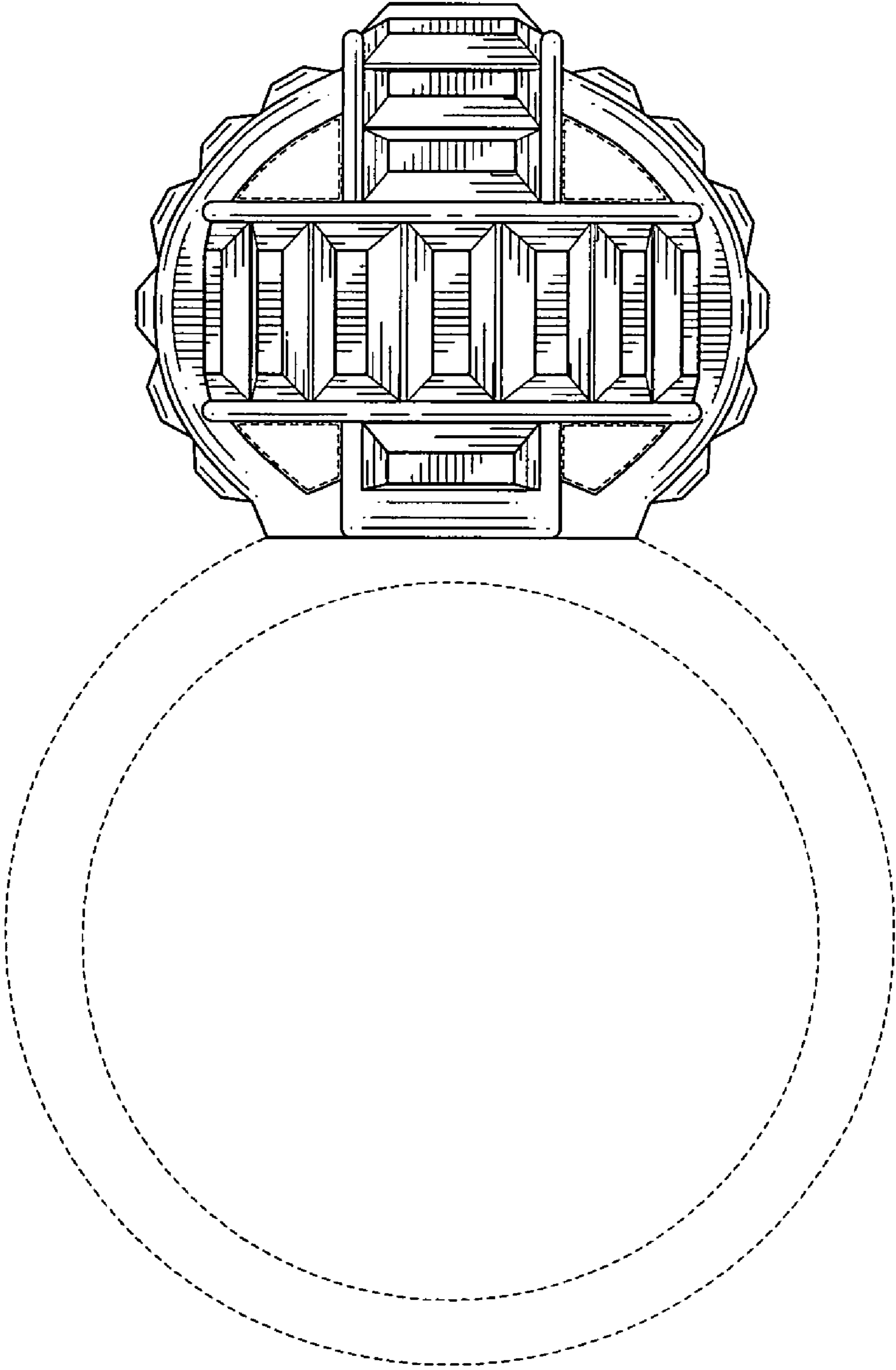


FIG. 2

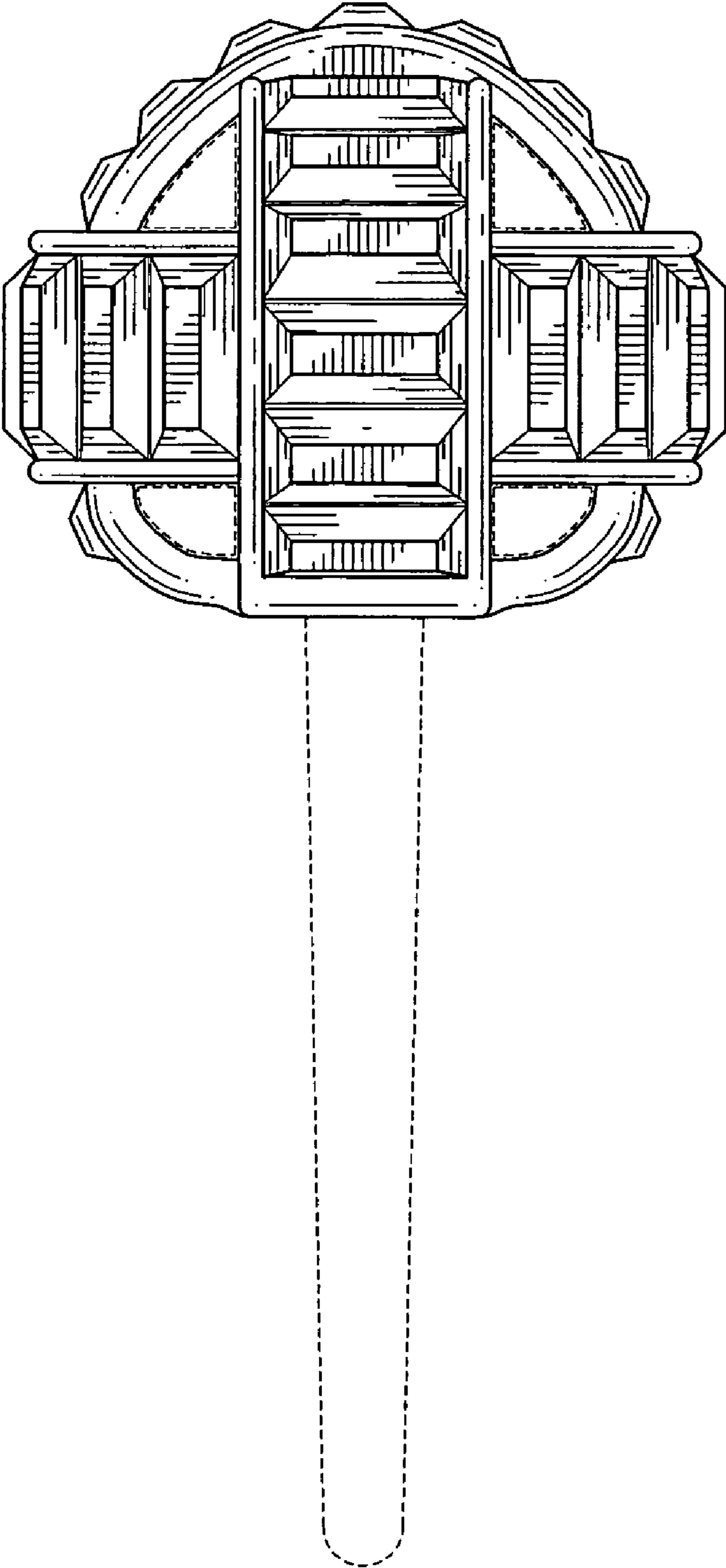


FIG. 3

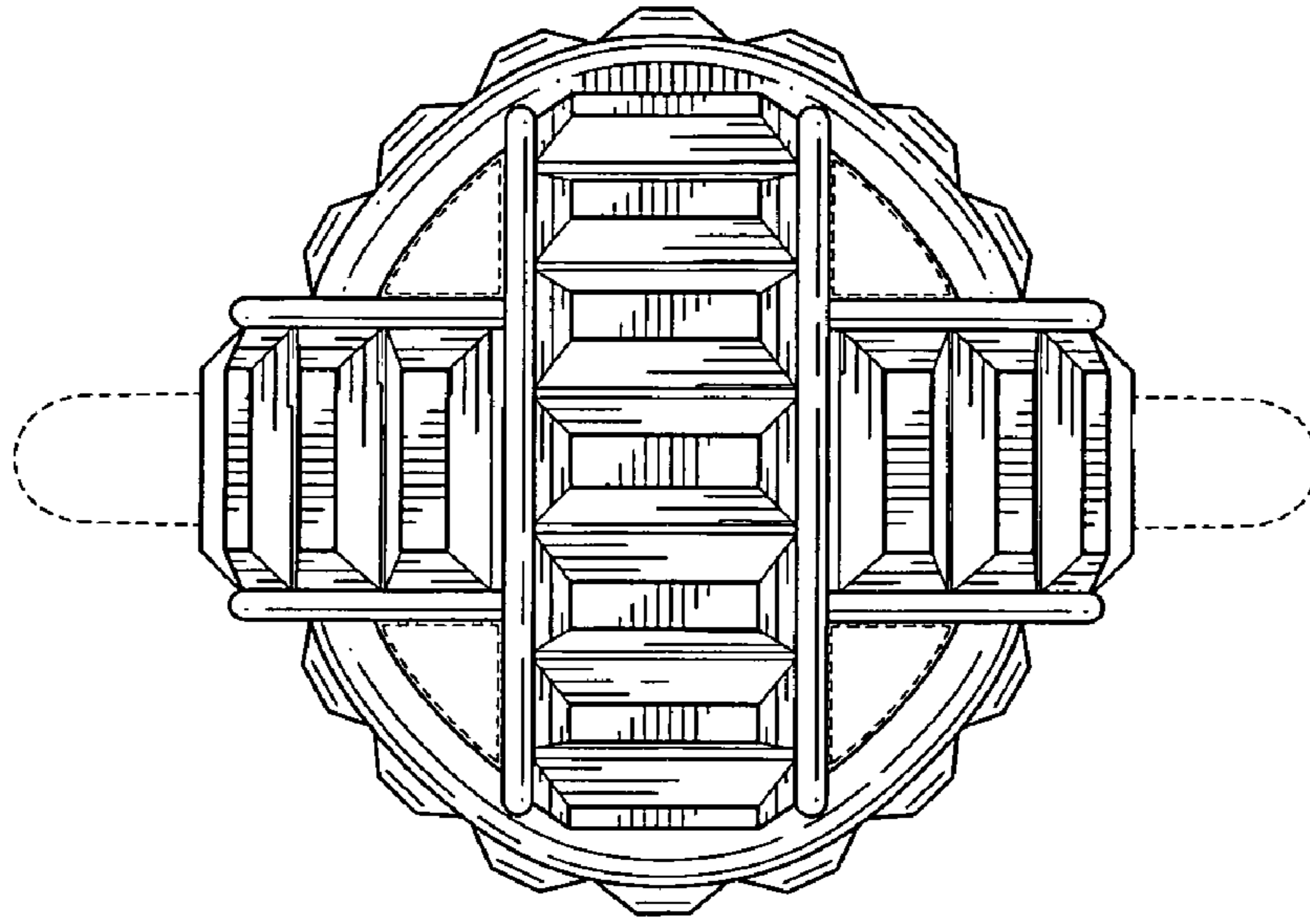


FIG. 4

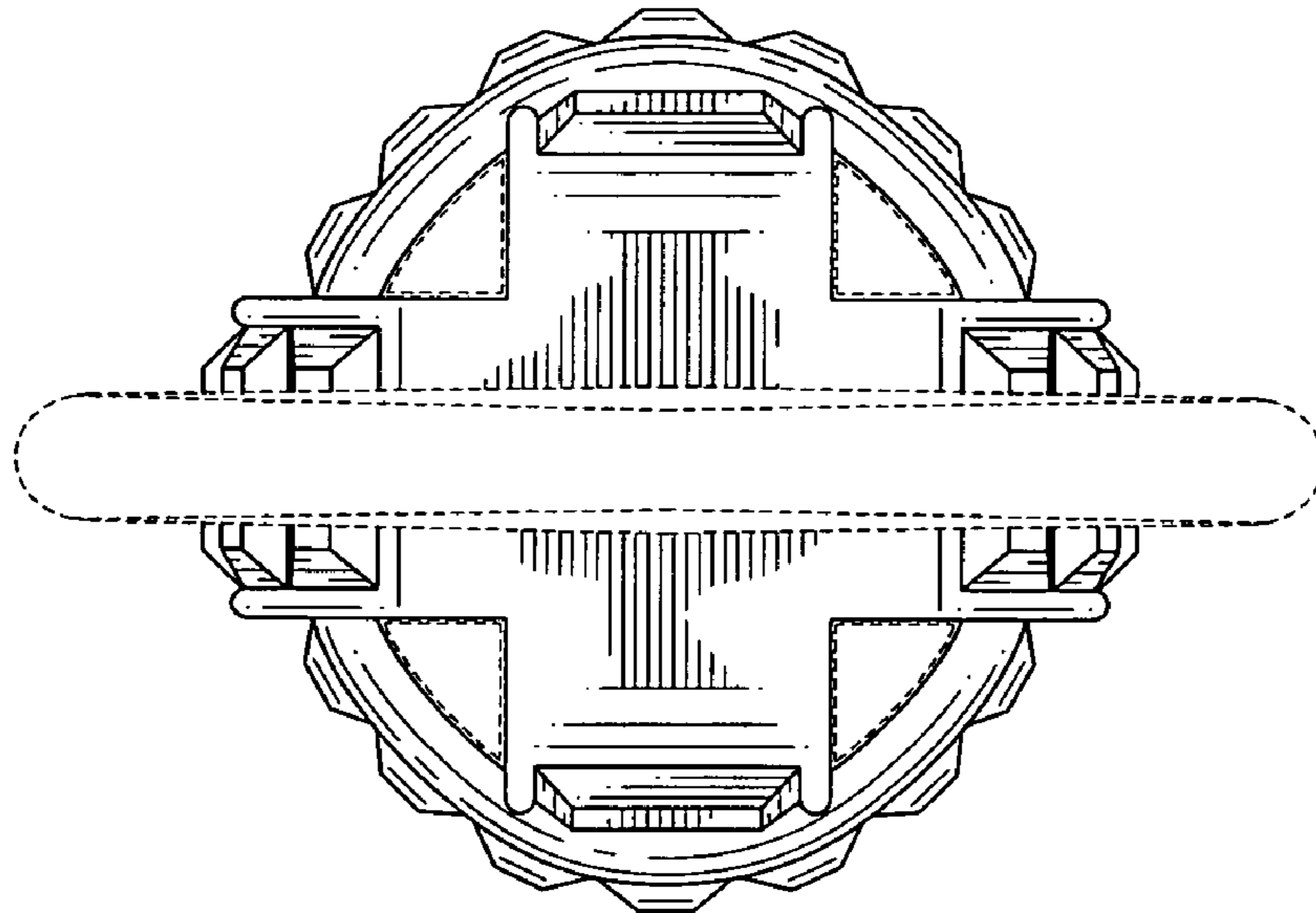


FIG. 5

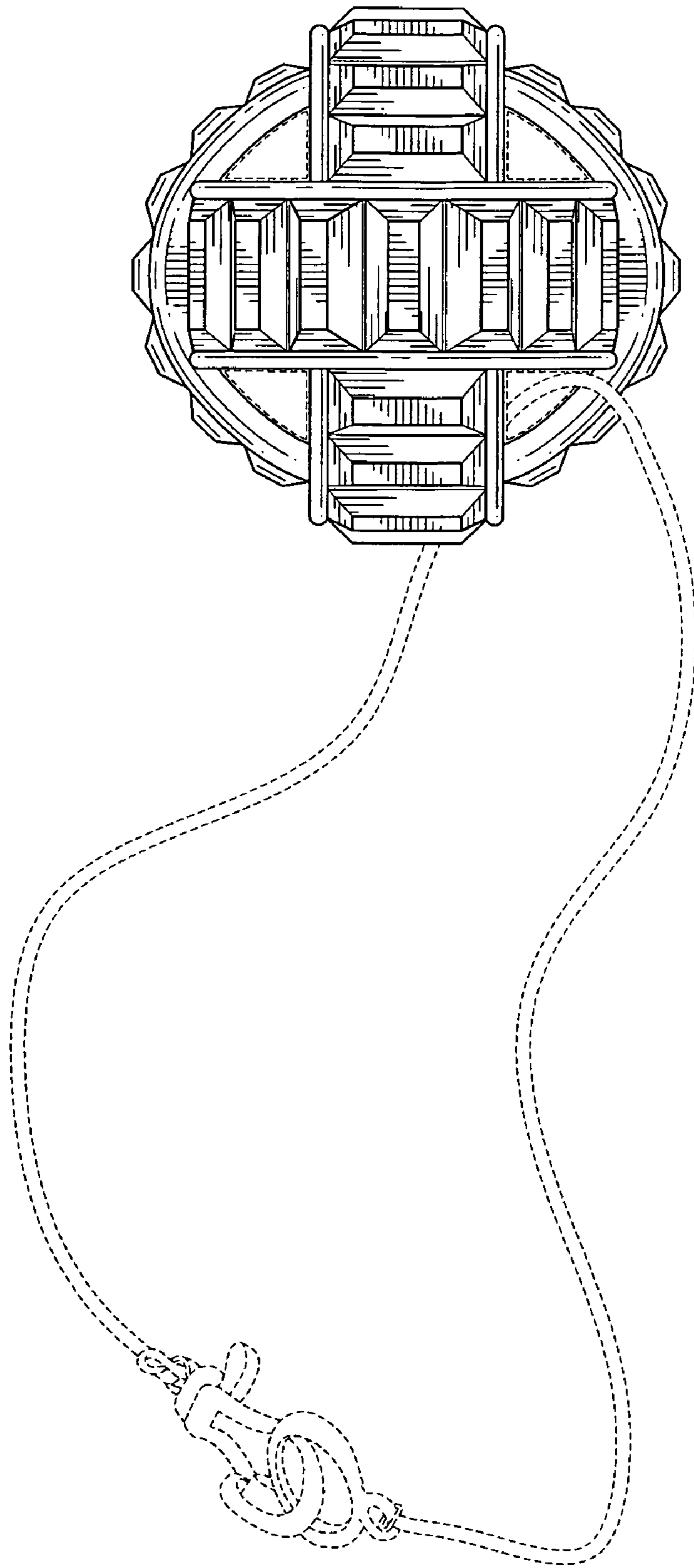


FIG. 6

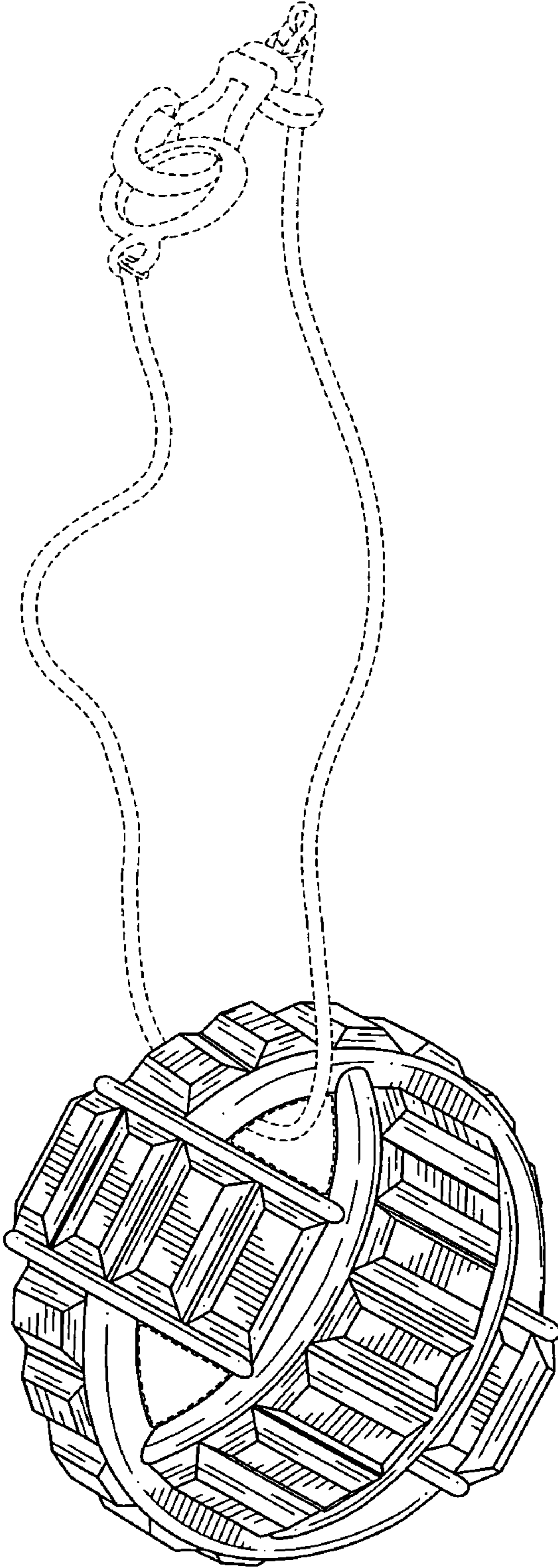


FIG. 7

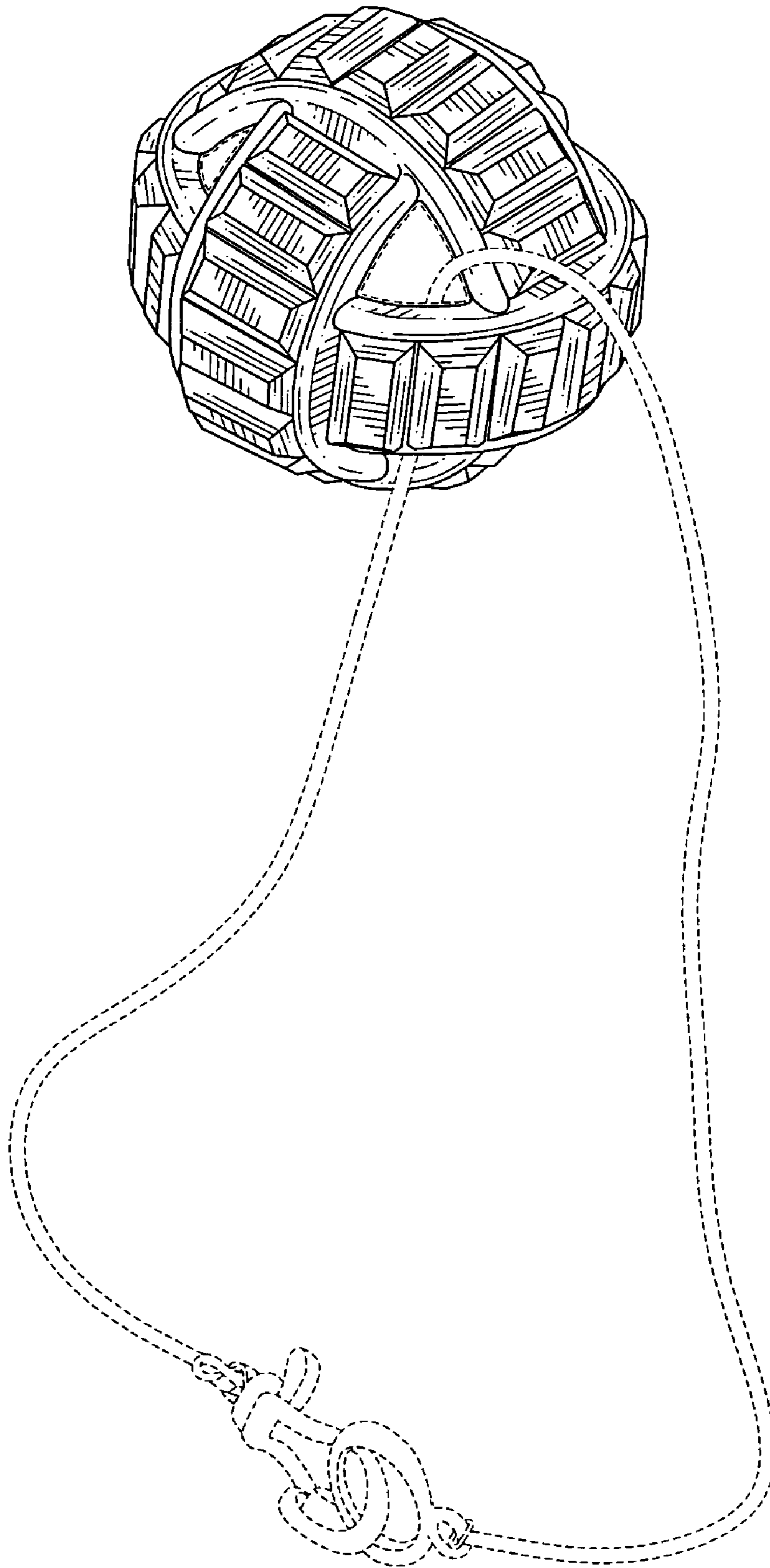


FIG. 8