



US00D663646S

(12) **United States Design Patent**  
**Gigandet et al.**

(10) **Patent No.:** **US D663,646 S**  
(45) **Date of Patent:** **\*\* Jul. 17, 2012**

(54) **ESCAPEMENT ANCHOR**  
(75) Inventors: **Christophe Gigandet**, Le Locle (CH);  
**Armin Behrend**, Les Verrieres (CH);  
**Francisco Dias**, Fleurier (CH)

(73) Assignee: **Chopard Technologies SA**, Fleurier (CH)

(\*\*) Term: **14 Years**

(21) Appl. No.: **29/392,513**

(22) Filed: **May 23, 2011**

(30) **Foreign Application Priority Data**

Dec. 15, 2010 (WO) ..... DM/075 101  
(51) **LOC (9) Cl.** ..... **10-07**  
(52) **U.S. Cl.** ..... **D10/128; D10/129**  
(58) **Field of Classification Search** ..... D10/128,  
D10/129; 368/124-138, 169  
See application file for complete search history.

(56) **References Cited**

U.S. PATENT DOCUMENTS			
179,769	A *	7/1876	Champod ..... 368/133
581,535	A *	4/1897	Church ..... 368/133
725,037	A *	4/1903	Buyse ..... 368/127
856,091	A *	6/1907	Ohlson ..... 368/124
1,327,226	A *	1/1920	De Long ..... 368/124
1,336,263	A *	4/1920	Tideman ..... 368/127
1,981,110	A *	11/1934	Kochendarfer ..... 368/127

2,067,478	A *	1/1937	Cormier ..... 368/130
2,269,045	A *	1/1942	Virtanen ..... 368/133
2,669,089	A *	2/1954	Straumann ..... 368/124
3,030,764	A *	4/1962	Stamm ..... 368/125
3,059,500	A *	10/1962	Schneiter ..... 74/575
3,335,562	A *	8/1967	Schneider ..... 368/133
3,623,316	A *	11/1971	Abe ..... 368/124
3,630,018	A *	12/1971	Nicholas ..... 368/133
3,738,101	A *	6/1973	Simon-Vermot ..... 368/125
3,826,076	A *	7/1974	Tuetey ..... 368/129
7,527,425	B2 *	5/2009	Born ..... 368/131
8,025,782	B2 *	9/2011	Saucy ..... 205/67
8,118,480	B2 *	2/2012	Gigandet et al. .... 368/133

\* cited by examiner

*Primary Examiner* — Lucy Lieberman  
(74) *Attorney, Agent, or Firm* — Young & Thompson

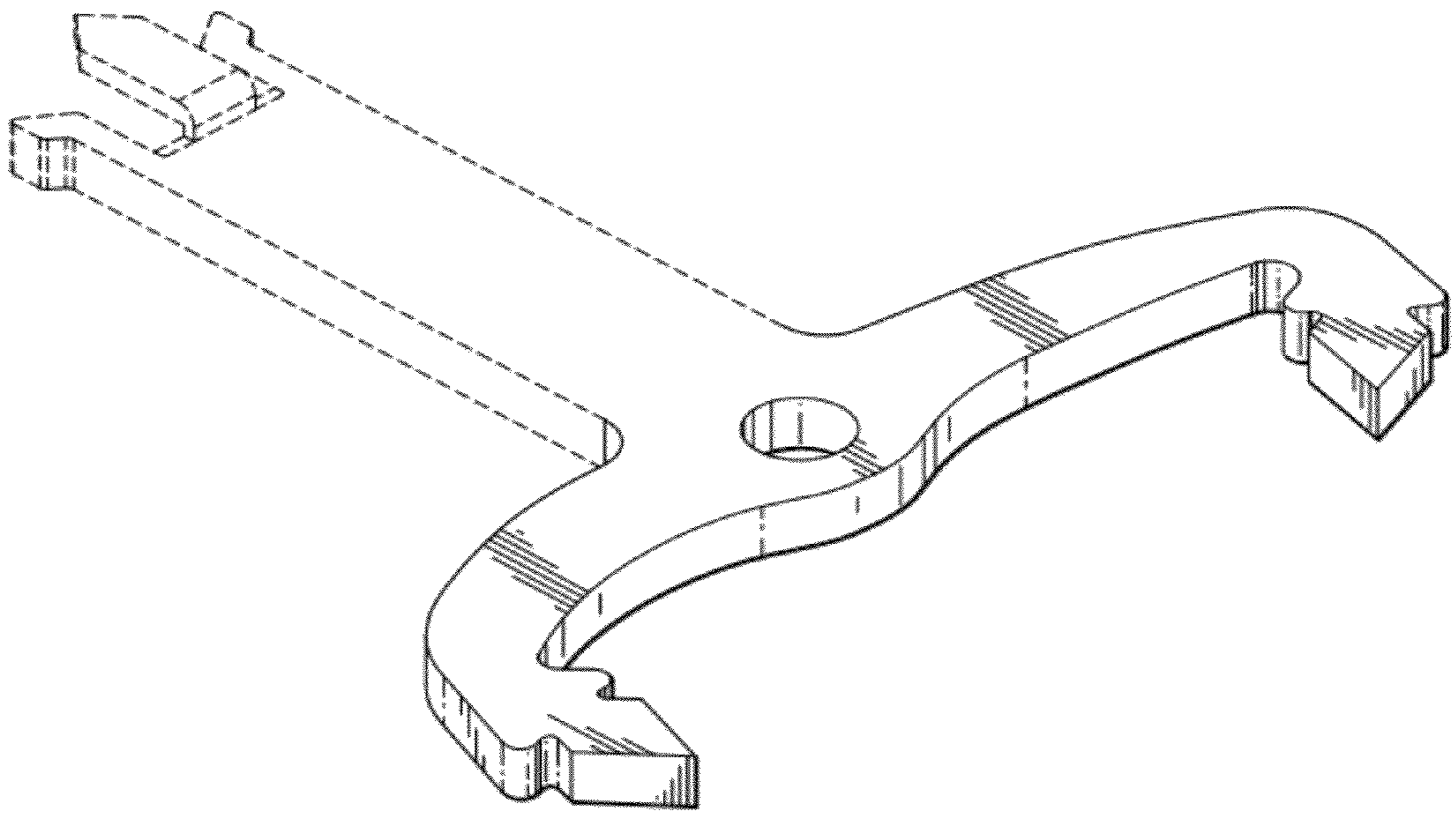
(57) **CLAIM**

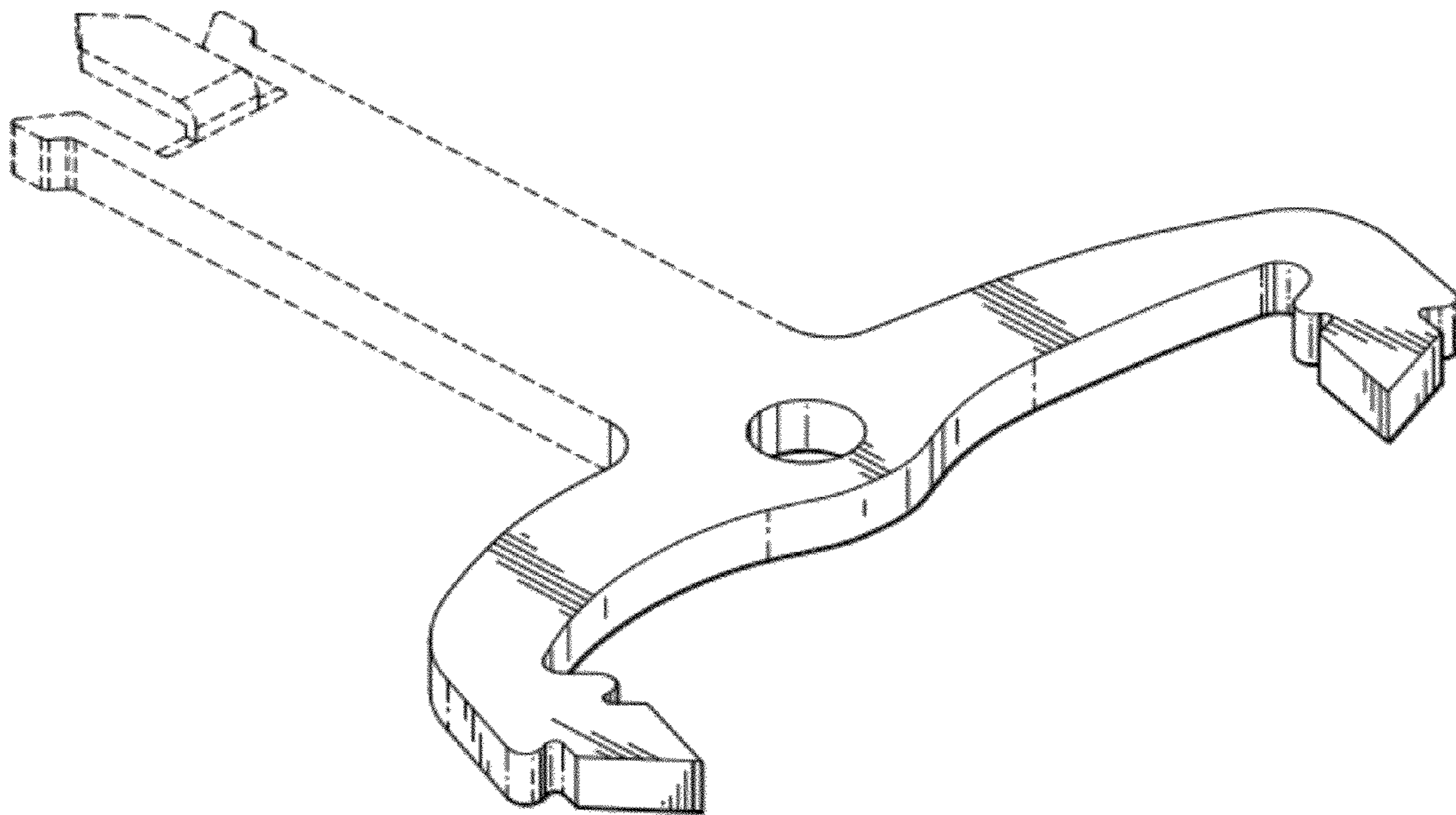
The ornamental design for an escapement anchor, as shown and described.

**DESCRIPTION**

FIG. 1 is a top, front, and right side perspective view of the new design;  
FIG. 2 is a top plan view thereof;  
FIG. 3 is bottom plan view thereof;  
FIG. 4 is a right side elevation view thereof;  
FIG. 5 is a left side elevation view thereof;  
FIG. 6 is a front elevation view thereof; and,  
FIG. 7 is a rear elevation view thereof.  
The portions of the design shown in broken lines show environment only and form no part of the claimed design.

**1 Claim, 4 Drawing Sheets**





*FIG. 1*

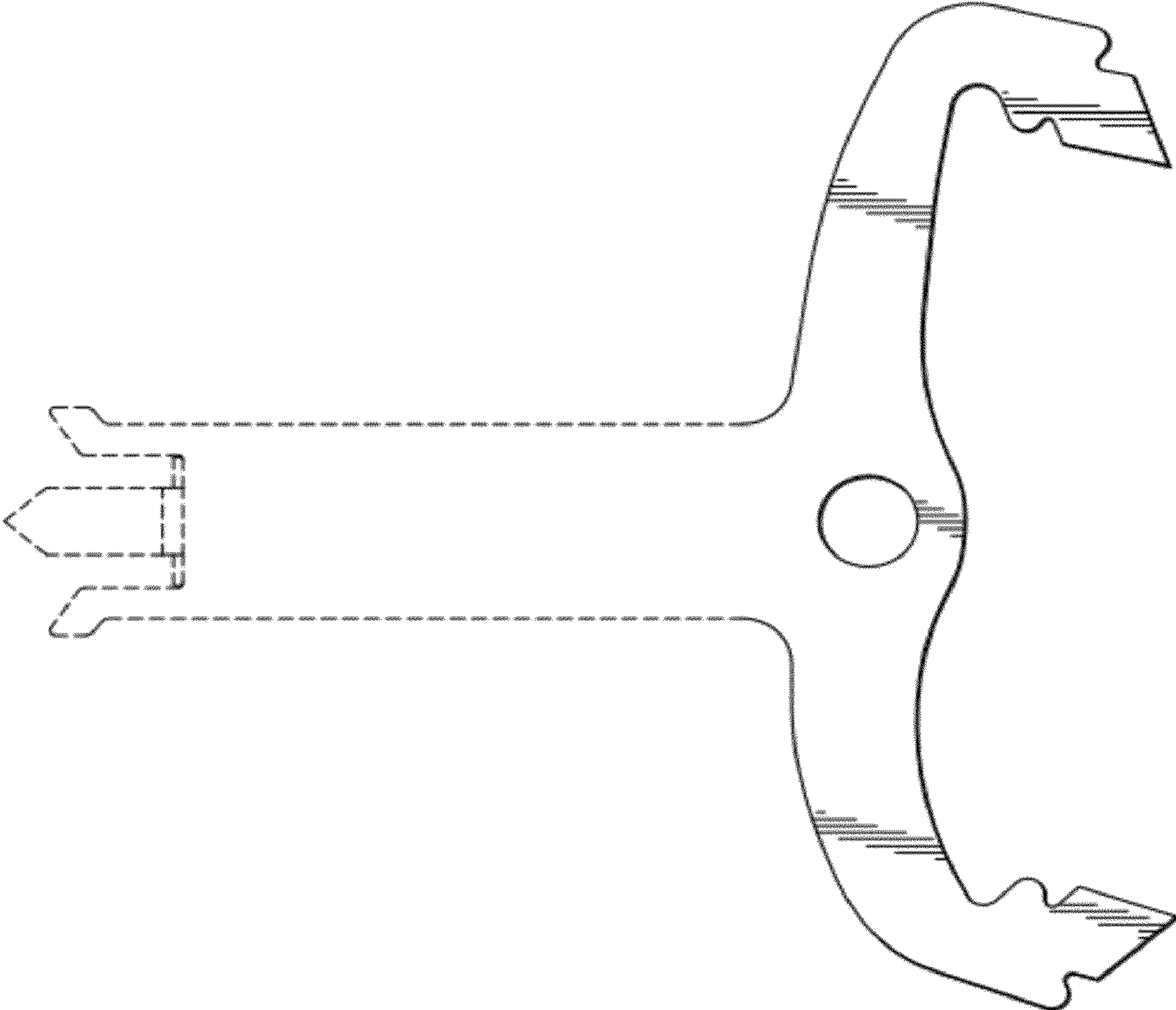
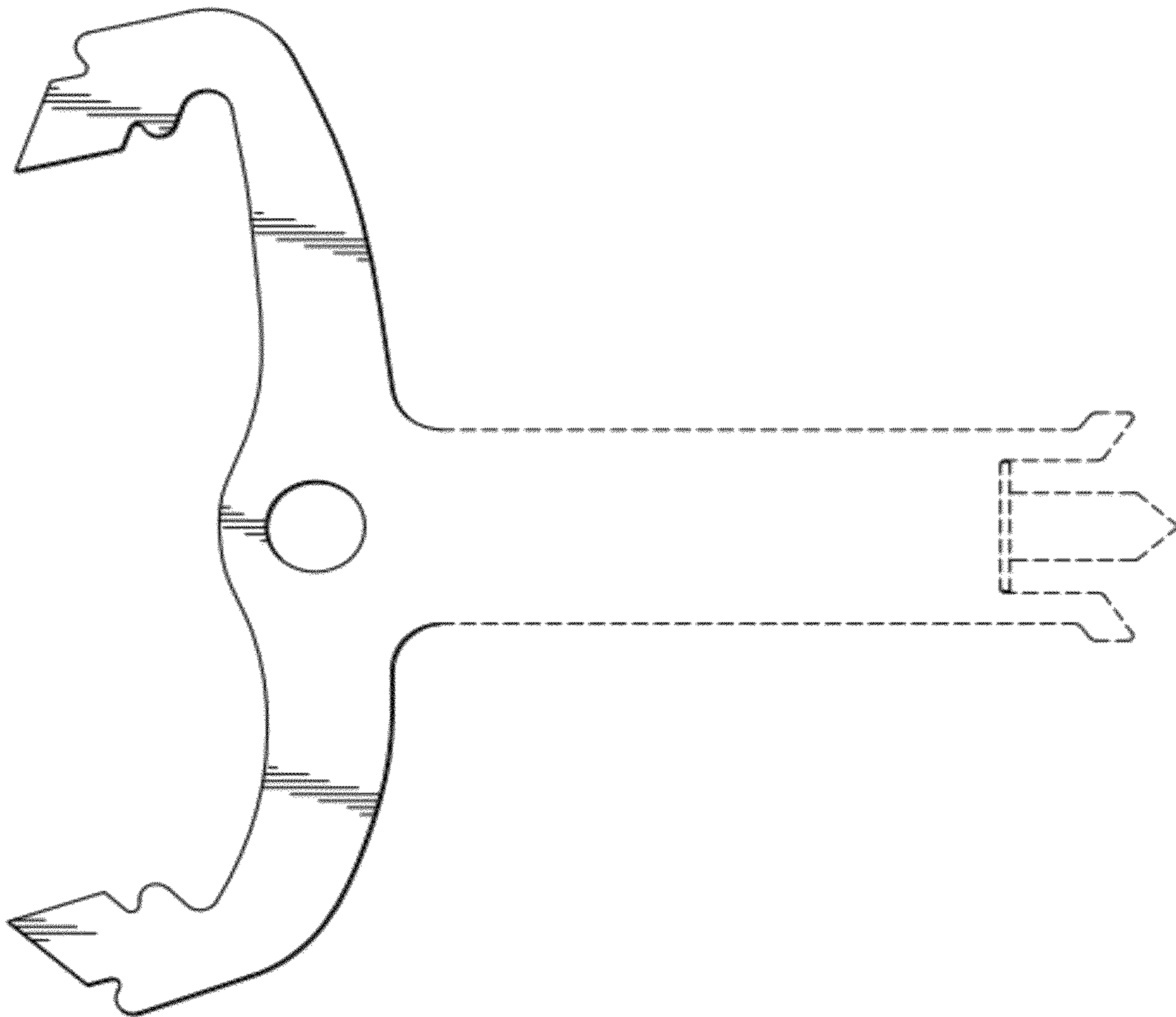


FIG. 2



*FIG. 3*



FIG. 4

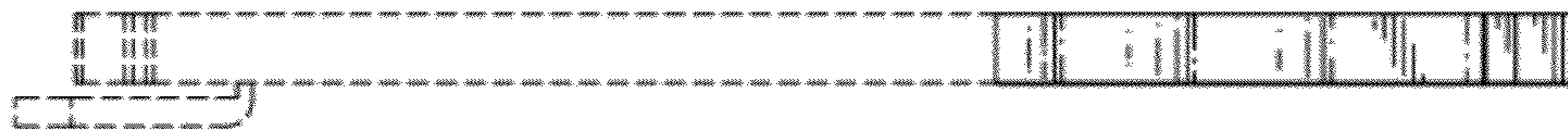


FIG. 5



FIG. 6

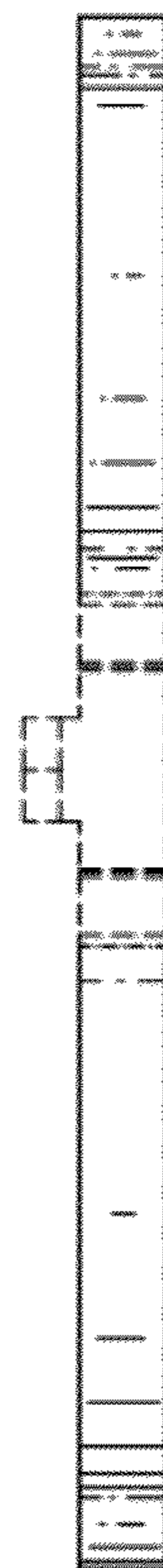


FIG. 7