



US00D663645S

(12) **United States Design Patent**  
**Ten Wolde**

(10) **Patent No.:** **US D663,645 S**  
(45) **Date of Patent:** **\*\* Jul. 17, 2012**

(54) **SAFETY/EMERGENCY LIGHTING APPARATUS**

(75) Inventor: **Michel Robert Ten Wolde**, The Hague (NL)

(73) Assignee: **Nodazzle Holding BV**, The Hague (NL)

(\*\*) Term: **14 Years**

(21) Appl. No.: **29/394,149**

(22) Filed: **Jun. 14, 2011**

(30) **Foreign Application Priority Data**

Dec. 14, 2010 (EM) ..... 001793621

(51) **LOC (9) Cl.** ..... **10-05**

(52) **U.S. Cl.** ..... **D10/114.2**

(58) **Field of Classification Search** ..... D10/114.1, D10/114.2, 114.8, 113.1; D26/30, 31, 37, D26/72; 404/9-16; 362/40, 414, 431, 308, 362/327, 183-208; D13/139.3, 152

See application file for complete search history.

(56) **References Cited**

U.S. PATENT DOCUMENTS

5,914,665	A *	6/1999	Thorp et al.	340/691.1
7,183,483	B1 *	2/2007	Anderson et al.	174/50
D565,447	S *	4/2008	Hornig	D10/113.1
D569,755	S *	5/2008	Humble et al.	D10/113.1
D618,123	S *	6/2010	Luscombe et al.	D10/114.1
7,791,496	B2 *	9/2010	Anderson et al.	340/691.1
D632,654	S *	2/2011	Davidson et al.	D13/152

\* cited by examiner

*Primary Examiner* — George D Kirschbaum

(74) *Attorney, Agent, or Firm* — Sherr & Vaughn, PLLC

(57) **CLAIM**

The ornamental design for a safety/emergency lighting apparatus, as shown.

**DESCRIPTION**

FIG. 1 illustrates a perspective view of a safety/emergency lighting apparatus.

FIG. 2 illustrates an inverted side view thereof.

FIG. 3 illustrates a side elevation view thereof.

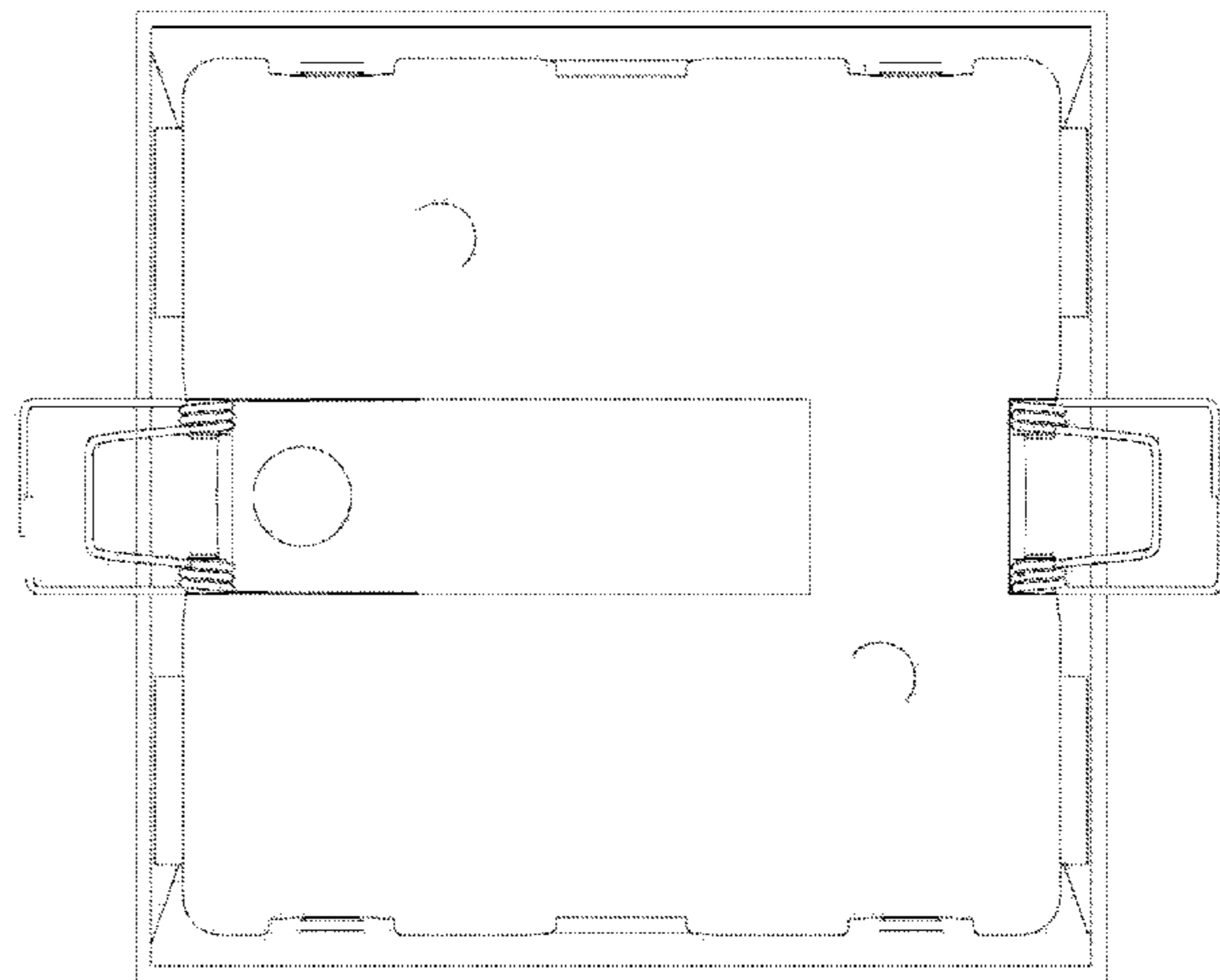
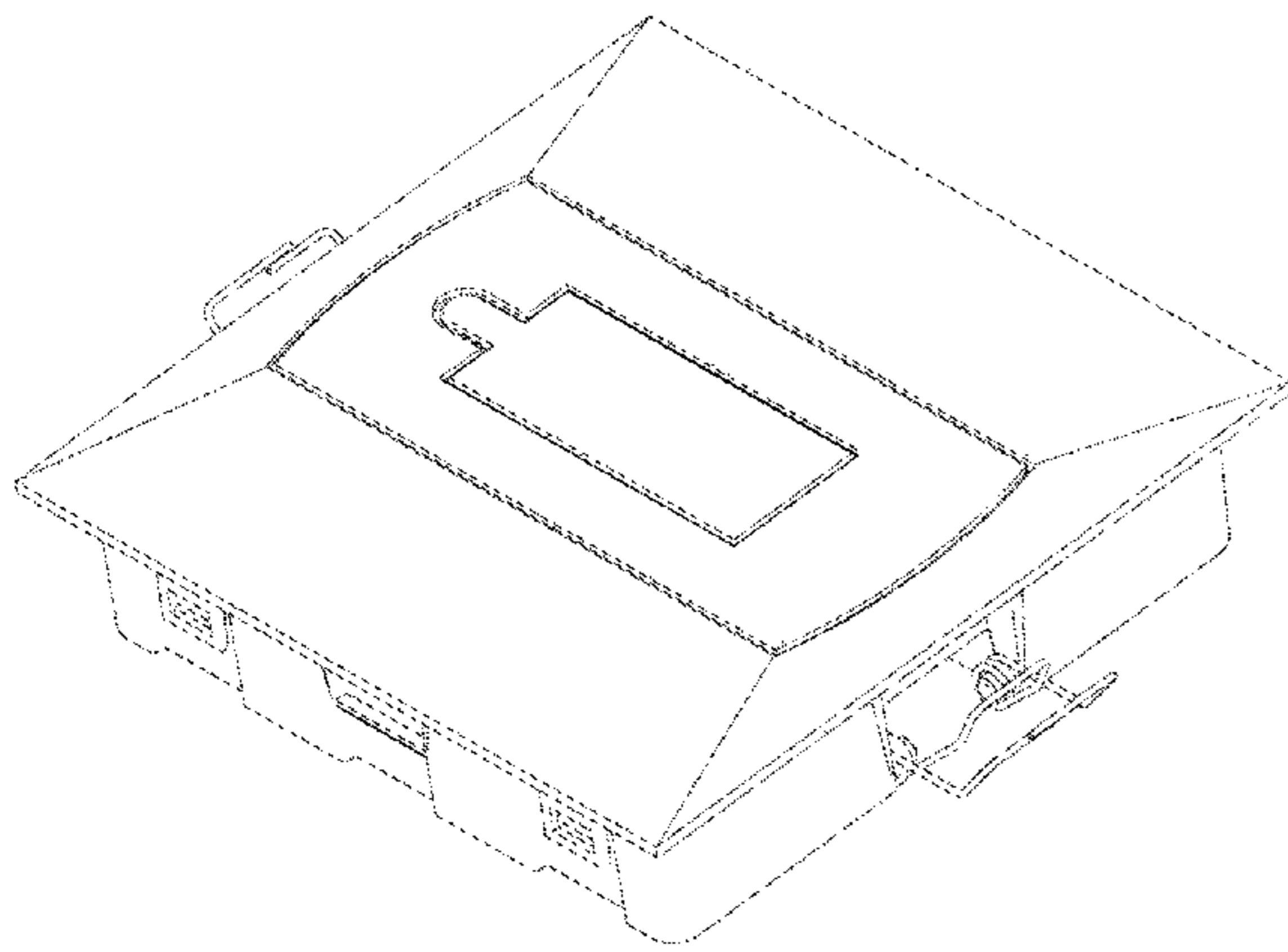
FIG. 4 illustrates a top plan view thereof.

FIG. 5 illustrates an inverted side elevation view thereof.

FIG. 6 illustrates a bottom plan view thereof; and,

FIG. 7 illustrates a front plan view thereof.

**1 Claim, 7 Drawing Sheets**



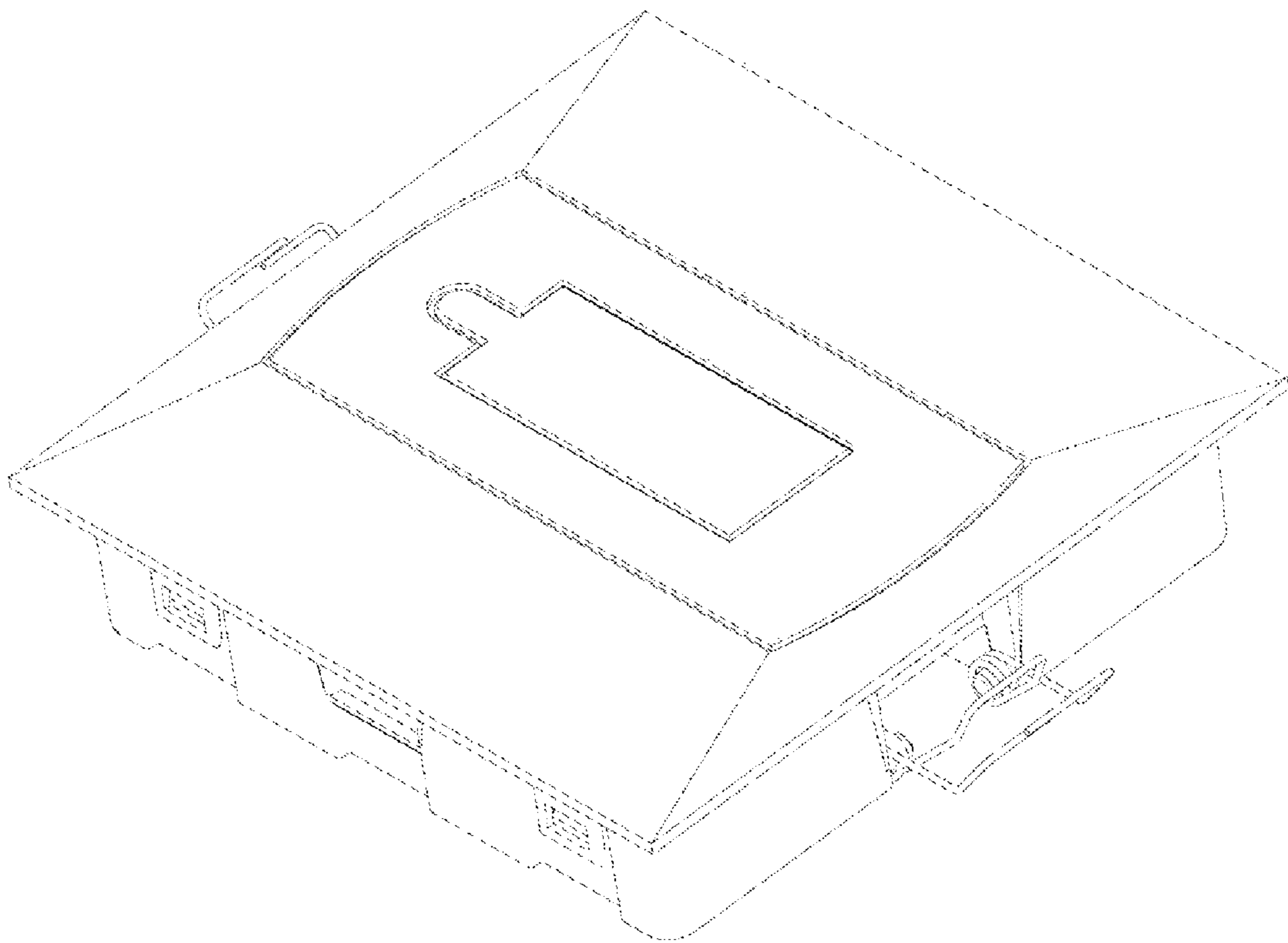


FIG. 1

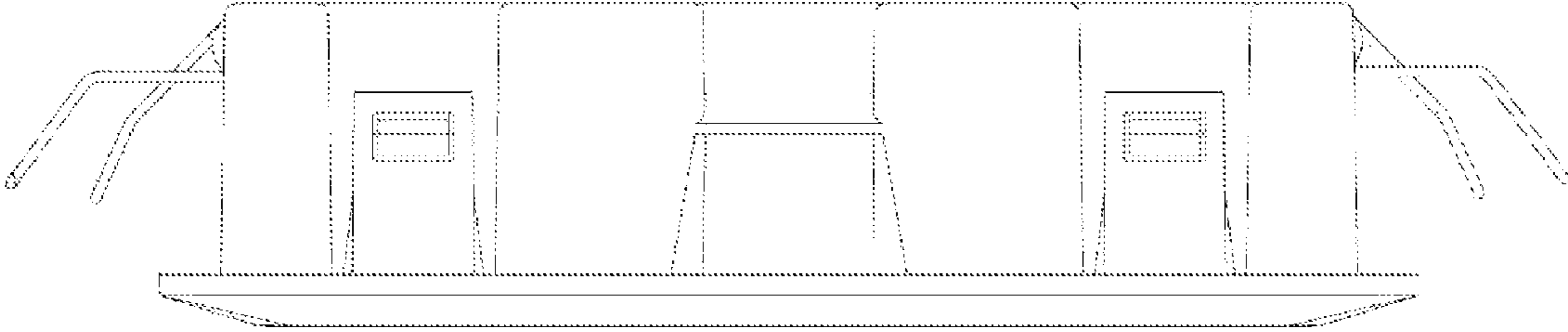


FIG. 2

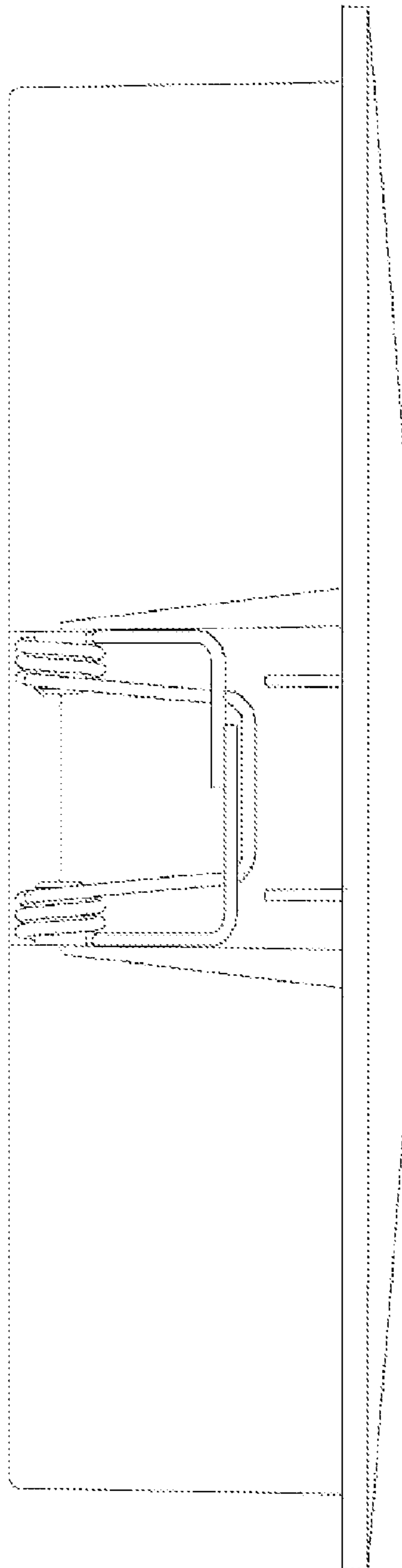


FIG. 3

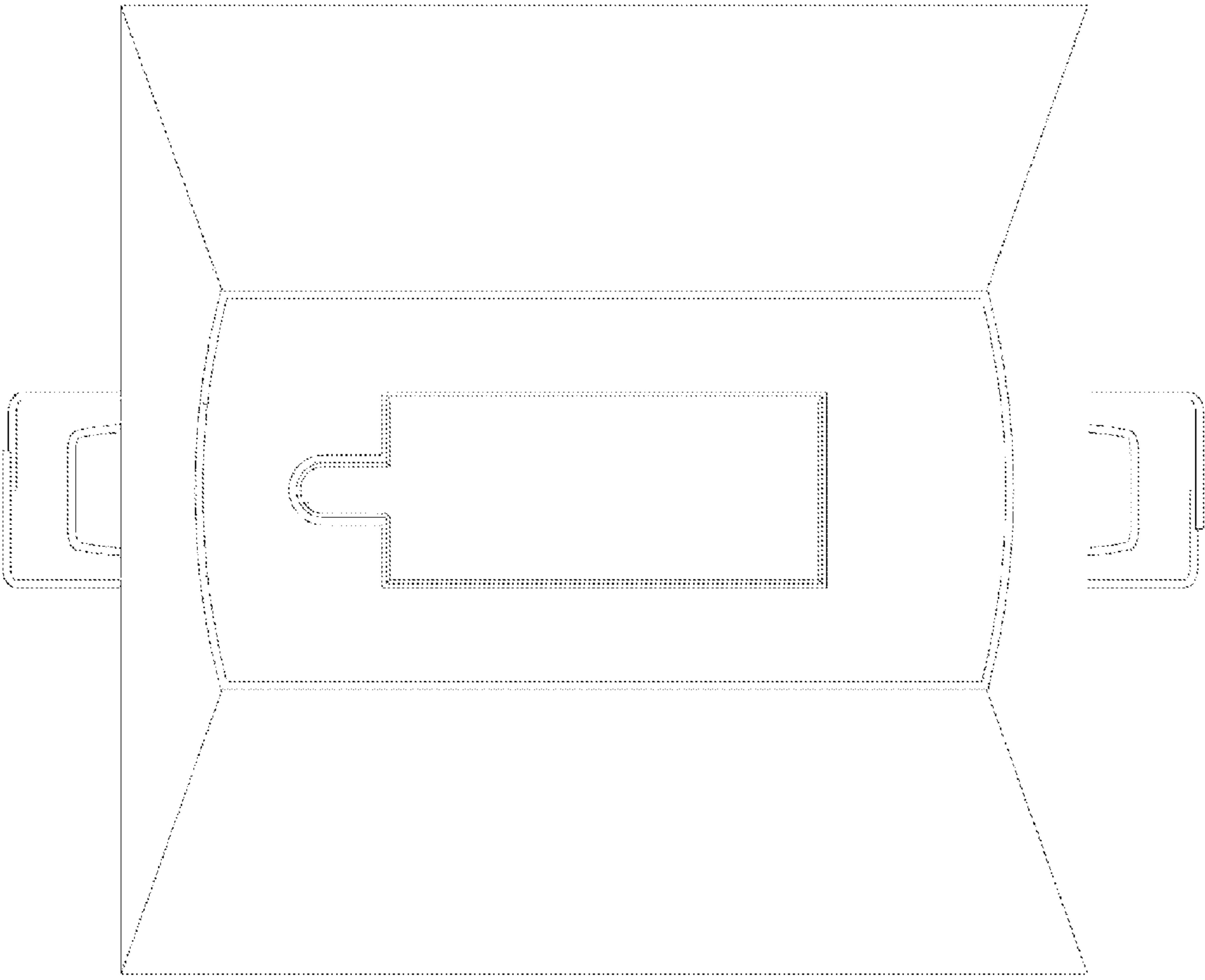


FIG. 4

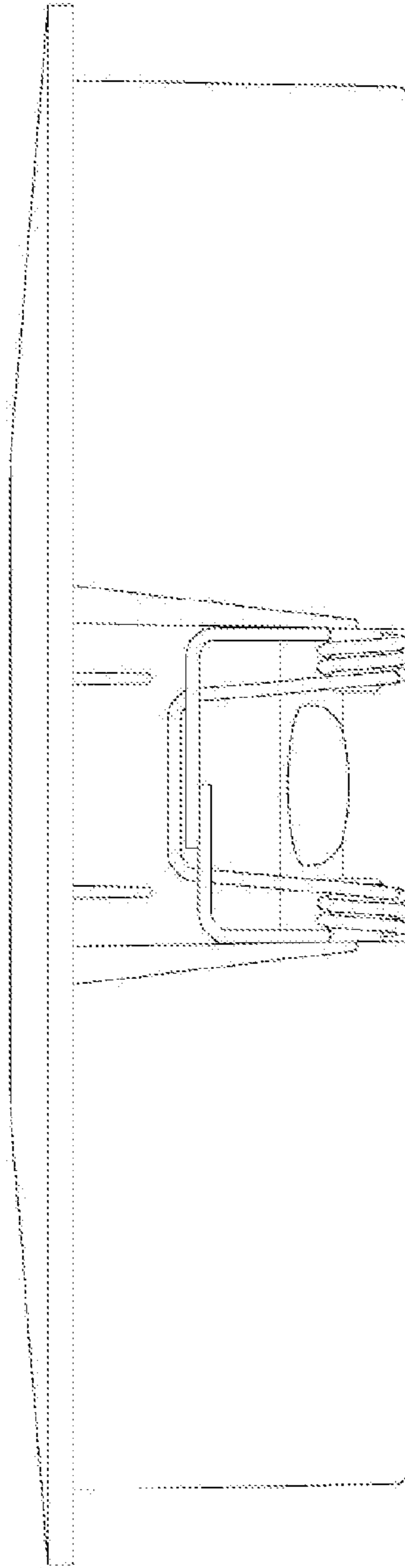


FIG. 5

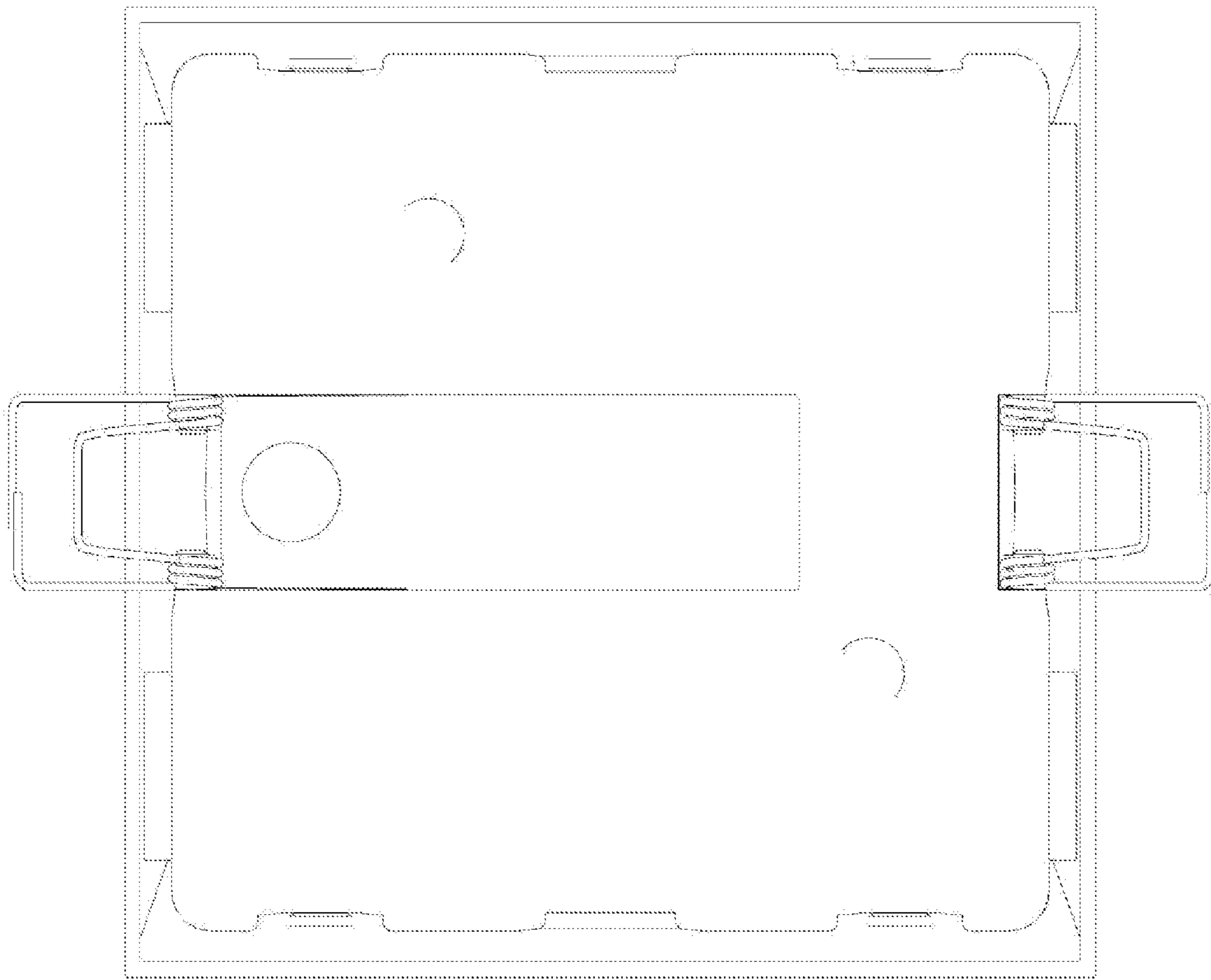


FIG. 6

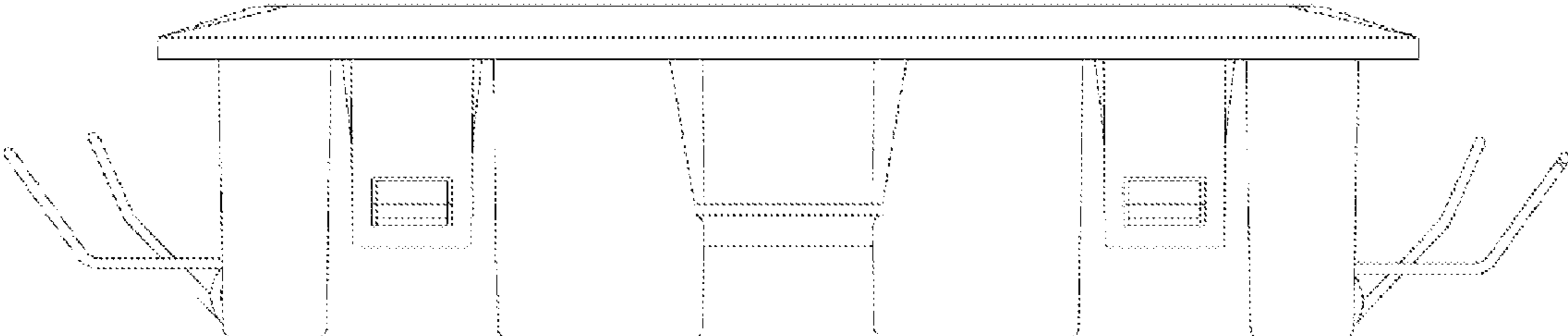


FIG. 7