

US00D663644S

(12) **United States Design Patent**
Ten Wolde

(10) **Patent No.:** **US D663,644 S**
(45) **Date of Patent:** **** Jul. 17, 2012**

(54) **SAFETY/EMERGENCY LIGHTING APPARATUS**

(75) Inventor: **Michel Robert Ten Wolde**, The Hague (NL)

(73) Assignee: **Nodazzle Holding BV**, The Hague (NL)

(**) Term: **14 Years**

(21) Appl. No.: **29/394,147**

(22) Filed: **Jun. 14, 2011**

(30) **Foreign Application Priority Data**

Dec. 14, 2010 (EM) 001793621

(51) **LOC (9) Cl.** **10-05**

(52) **U.S. Cl.** **D10/114.2**

(58) **Field of Classification Search** D10/114.1, D10/114.2, 114.8, 113.1; D26/30, 31, 37, D26/72; 404/9-16; 362/40, 414, 431, 308, 362/327, 183-208; D13/139.3, 152

See application file for complete search history.

(56) **References Cited**

U.S. PATENT DOCUMENTS

5,914,665 A * 6/1999 Thorp et al. 340/691.1
7,183,483 B1 * 2/2007 Anderson et al. 174/50

D565,447 S * 4/2008 Horng D10/113.1
D569,755 S * 5/2008 Humble et al. D10/113.1
D618,123 S * 6/2010 Luscombe et al. D10/114.1
7,791,496 B2 * 9/2010 Anderson et al. 340/691.1
D632,654 S * 2/2011 Davidson et al. D13/152

* cited by examiner

Primary Examiner — George D Kirschbaum

(74) *Attorney, Agent, or Firm* — Sherr & Vaughn, PLLC

(57) **CLAIM**

The ornamental design for a safety/emergency lighting apparatus, as shown.

DESCRIPTION

FIG. 1 illustrates a perspective view of a safety/emergency lighting apparatus.

FIG. 2 illustrates a bottom perspective view thereof.

FIG. 3 illustrates a top plan view thereof.

FIG. 4 illustrates a side plan view thereof.

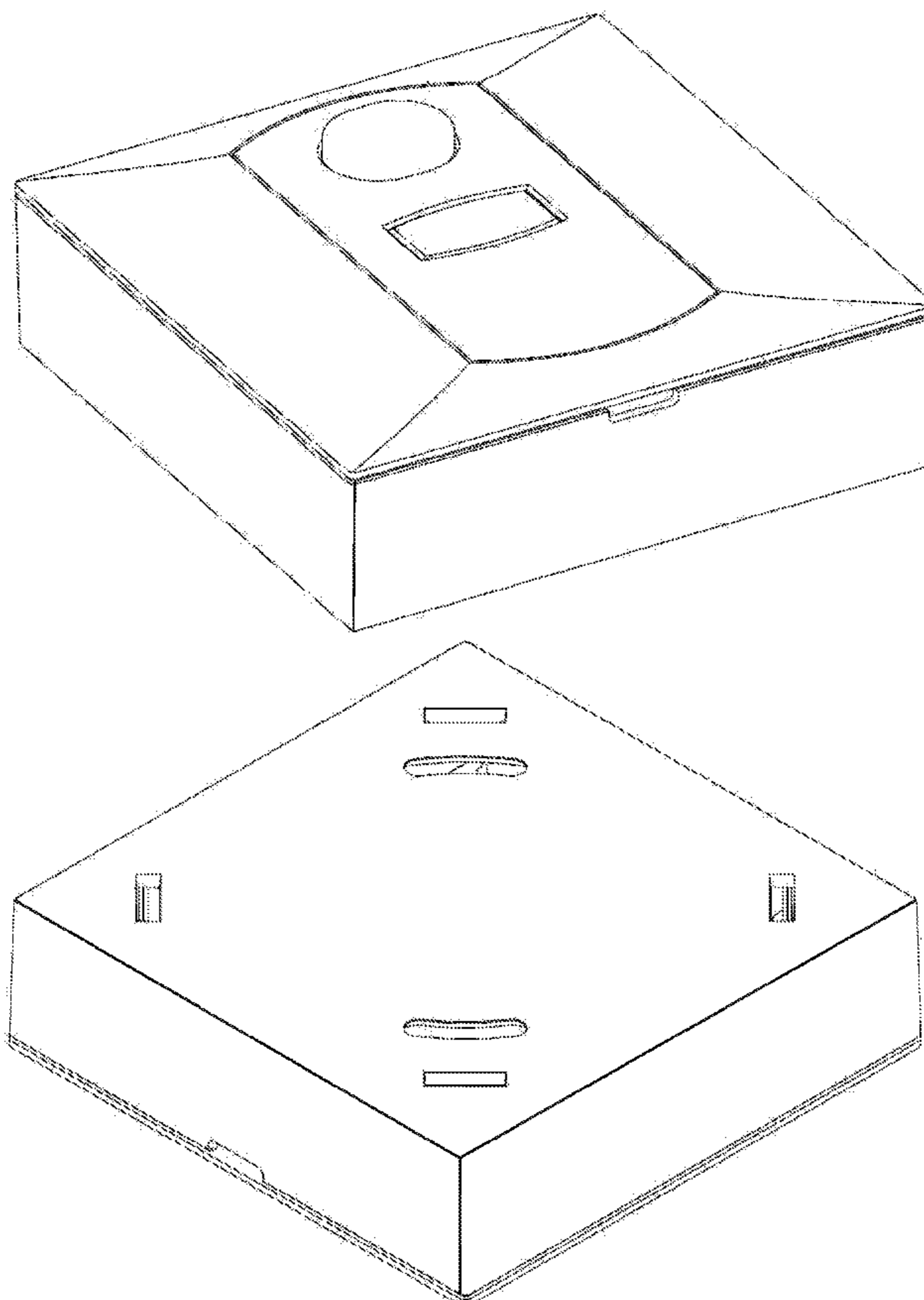
FIG. 5 illustrates an inverted side elevation view thereof.

FIG. 6 illustrates a top plan view thereof.

FIG. 7 illustrates an inverted side elevation view thereof; and,

FIG. 8 illustrates a side plan view thereof.

1 Claim, 8 Drawing Sheets



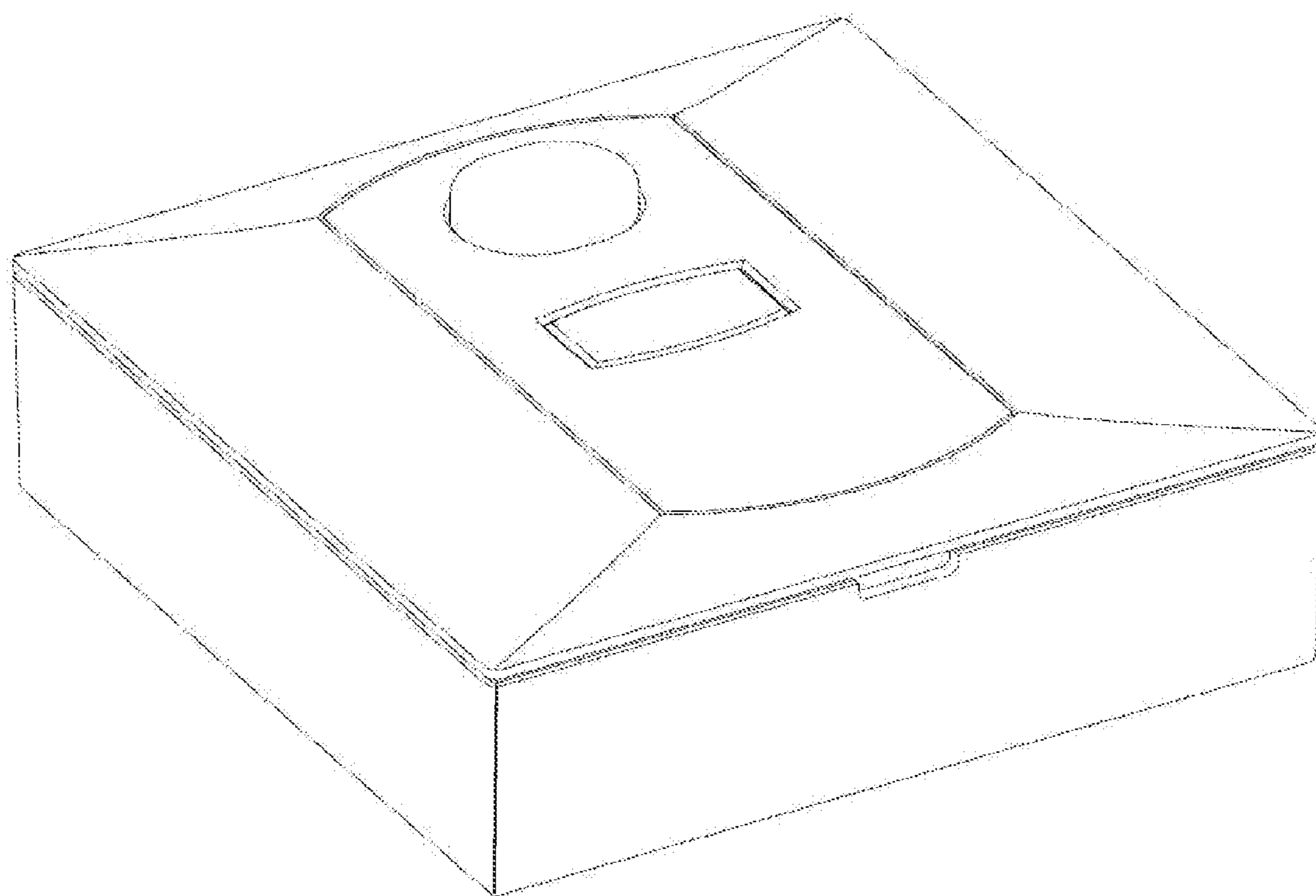


FIG. 1

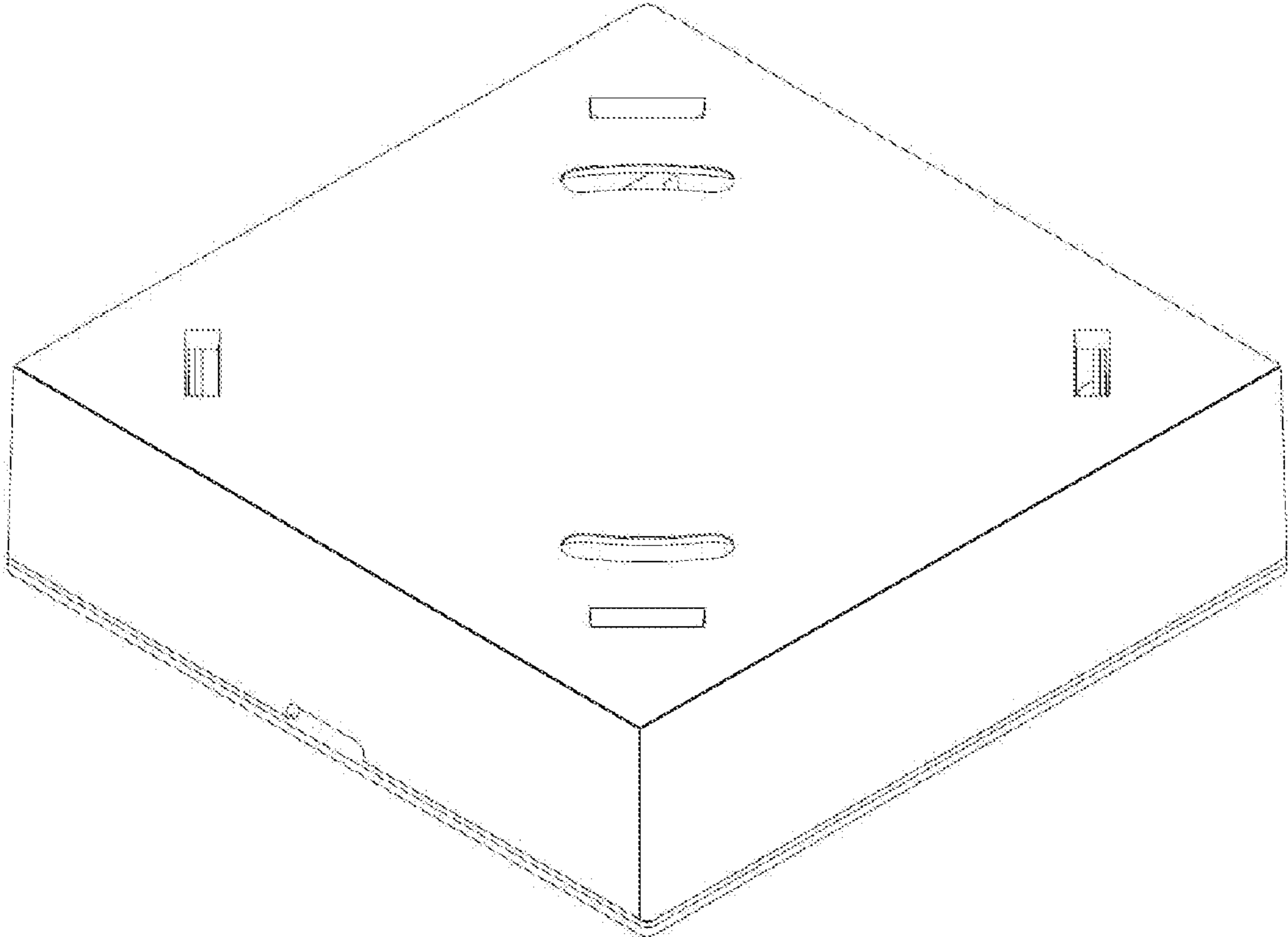


FIG. 2

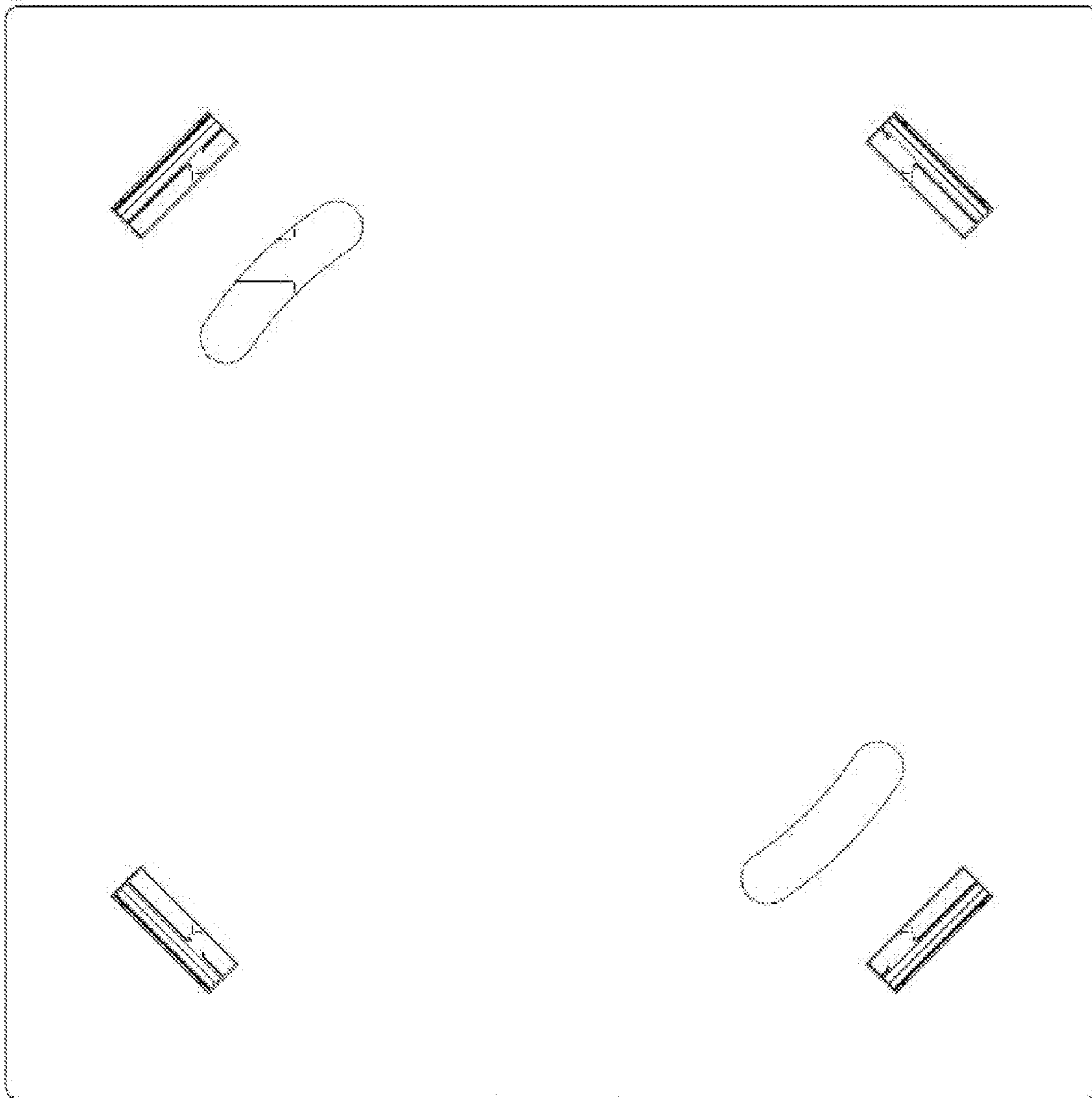


FIG. 3

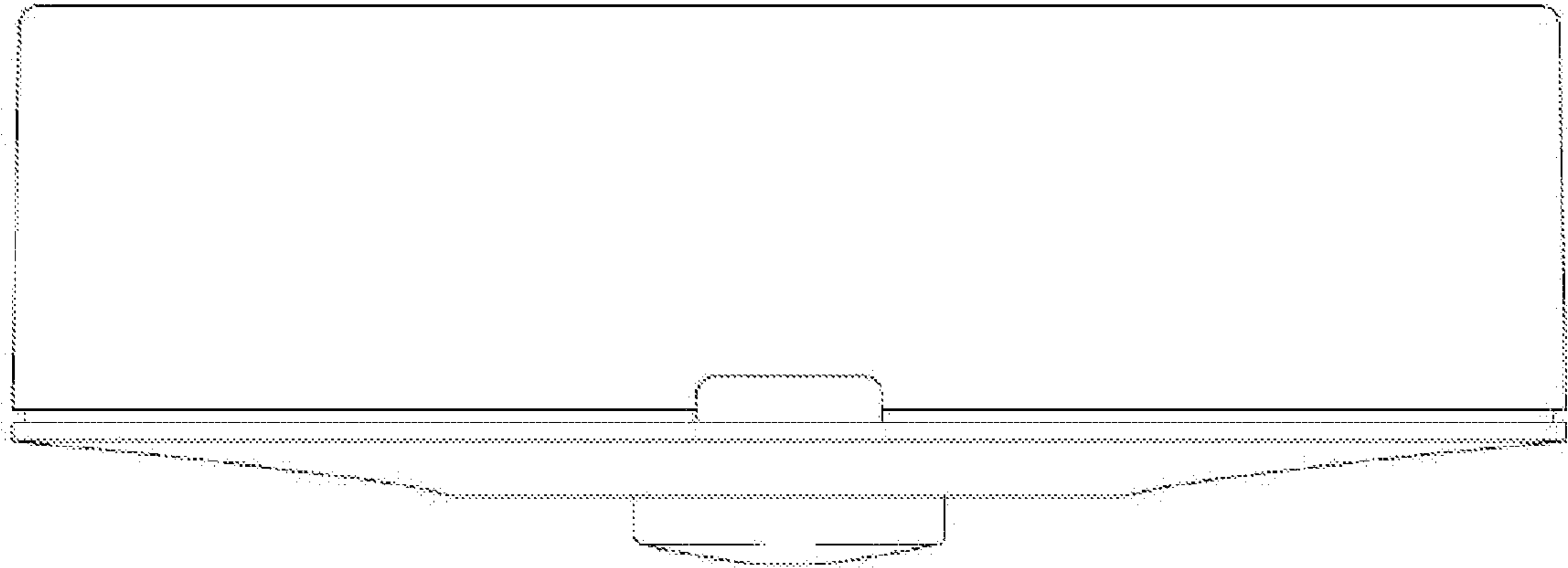


FIG. 4

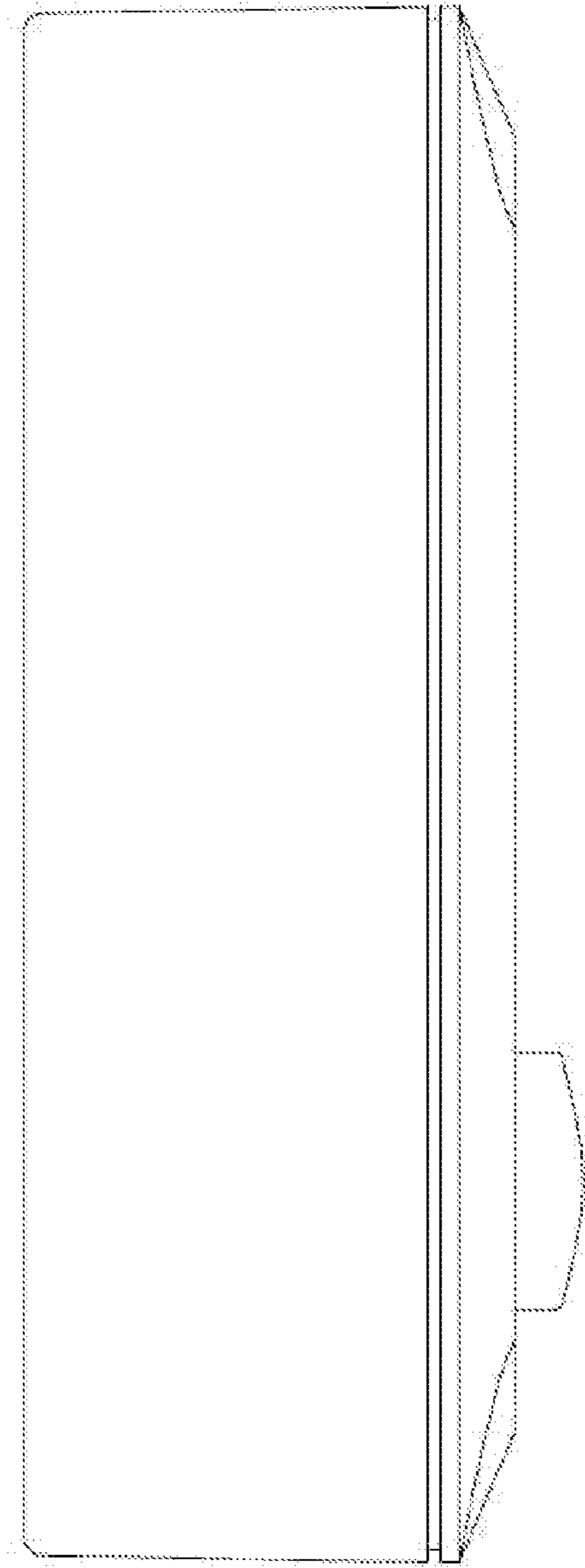


FIG. 5

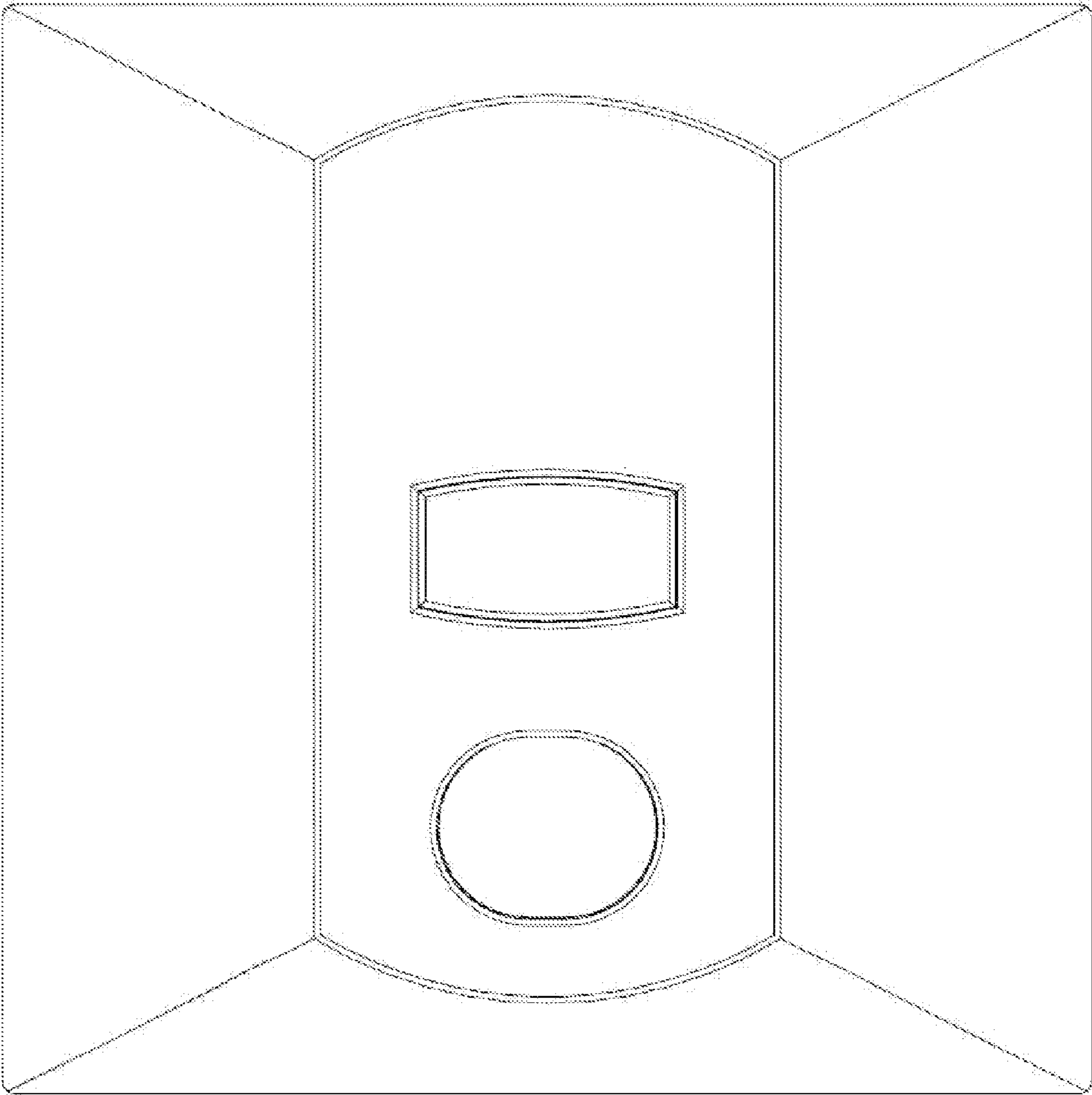


FIG. 6

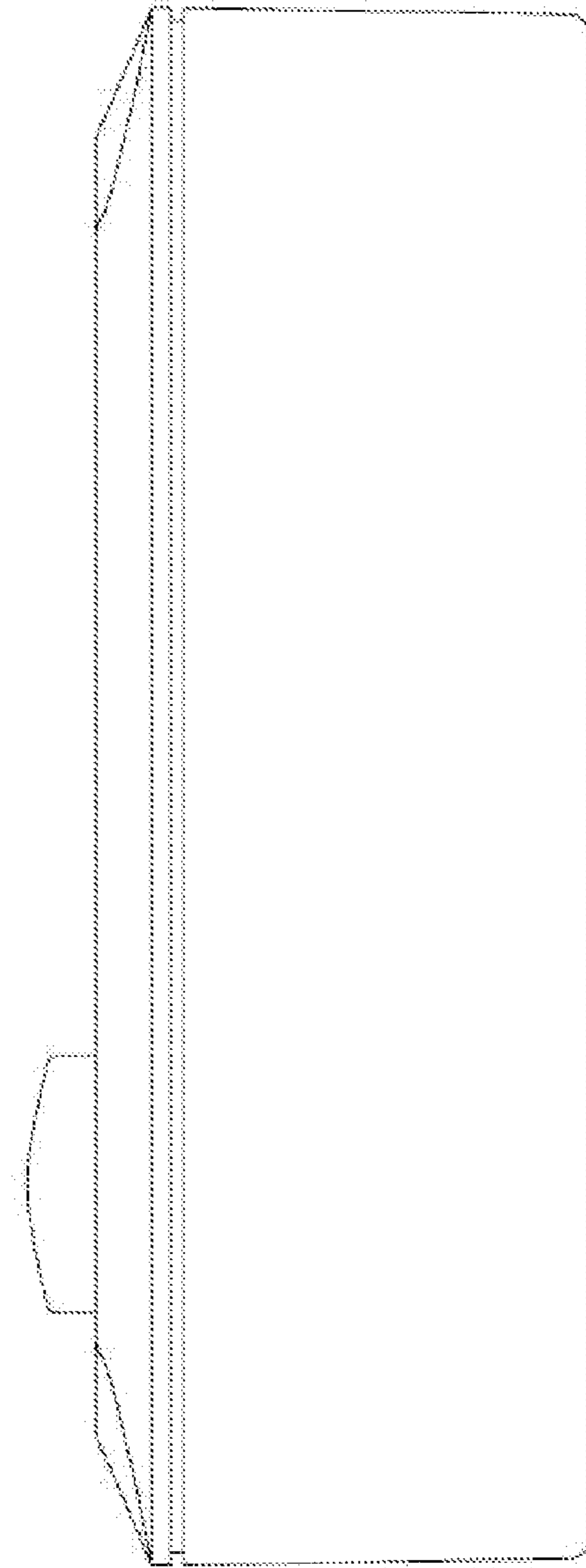


FIG. 7

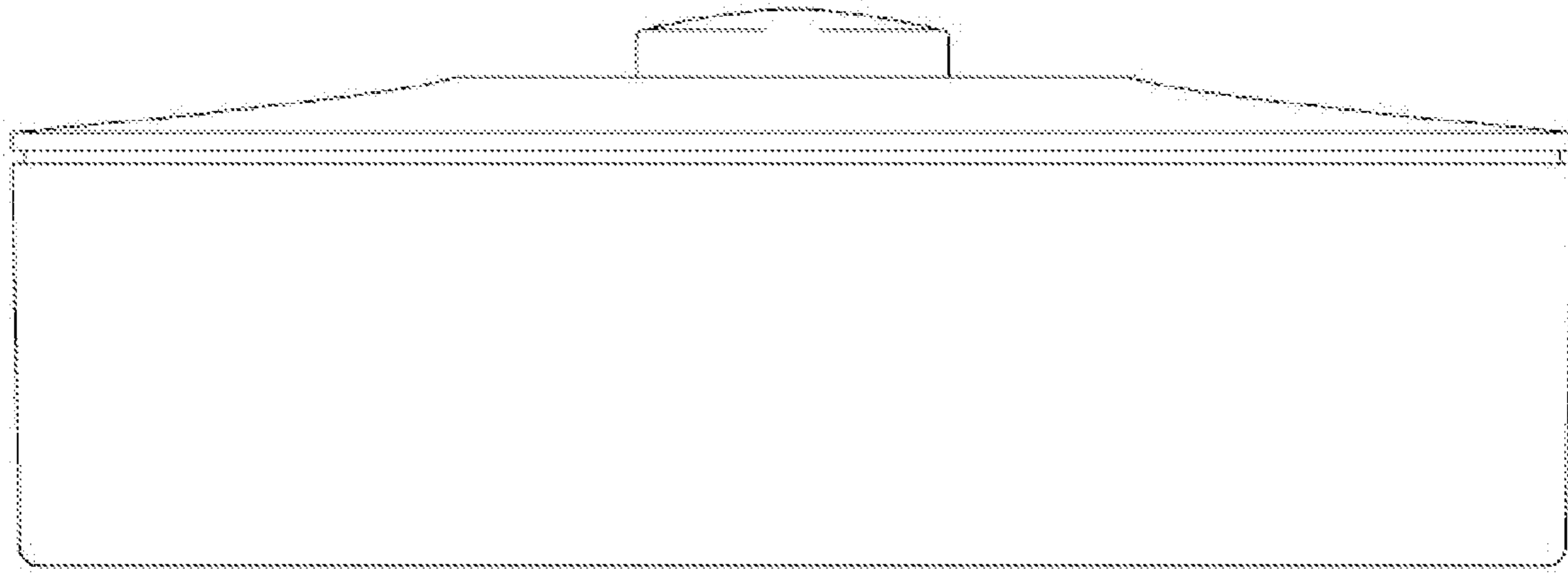


FIG. 8