



US00D663641S

(12) **United States Design Patent**  
**Saikawa et al.**

(10) **Patent No.:** **US D663,641 S**

(45) **Date of Patent:** **\*\* Jul. 17, 2012**

(54) **OPERATION BUTTON FOR ELEVATOR**

(75) Inventors: **Yoshinori Saikawa**, Tokyo (JP);  
**Toshihisa Ogura**, Tokyo (JP); **Eiji Yuasa**, Tokyo (JP)

(73) Assignee: **Mitsubishi Electric Corporation**,  
Tokyo (JP)

(\*\*) Term: **14 Years**

(21) Appl. No.: **29/403,854**

(22) Filed: **Oct. 12, 2011**

(30) **Foreign Application Priority Data**

Apr. 13, 2011 (JP) ..... 2011-008482

(51) **LOC (9) Cl.** ..... **10-05**

(52) **U.S. Cl.** ..... **D10/108; D13/174**

(58) **Field of Classification Search** ..... D10/108;  
D13/174, 175, 162, 162.1; D14/371, 383,  
D14/388-390, 198; D18/6-7, 24-32; 40/541;  
187/396-397, 389-391, 380

See application file for complete search history.

(56) **References Cited**

U.S. PATENT DOCUMENTS

1,583,507	A *	5/1926	Van Bloem	.....	40/541
5,390,766	A *	2/1995	Martin	.....	187/396
D364,380	S *	11/1995	Cunningham	.....	D13/162
D447,140	S *	8/2001	Mittler	.....	D14/383
D614,150	S *	4/2010	Crites	.....	D13/174
D617,669	S *	6/2010	Webb	.....	D10/118

\* cited by examiner

*Primary Examiner* — George D Kirschbaum

(74) *Attorney, Agent, or Firm* — Sughrue Mion, PLLC

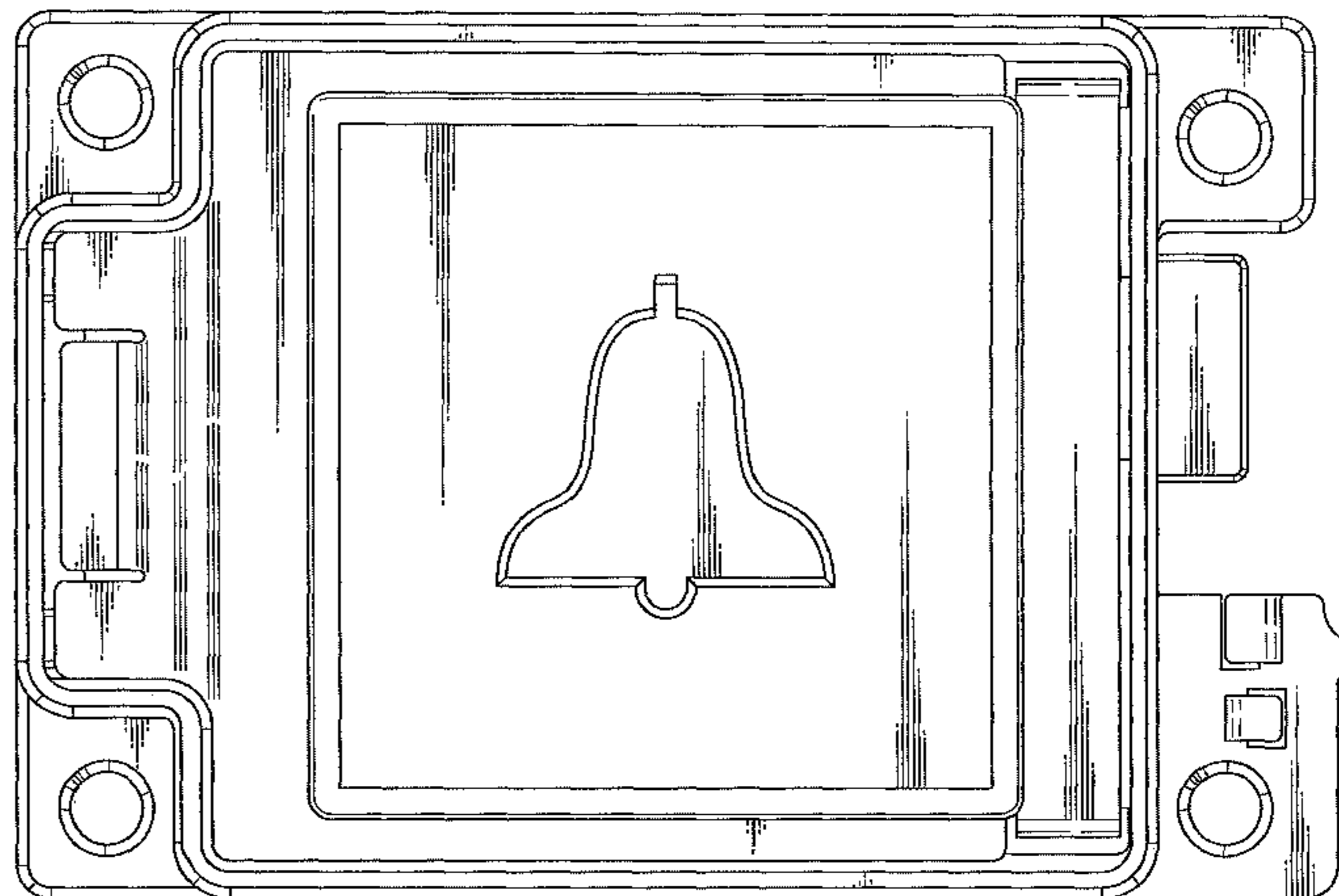
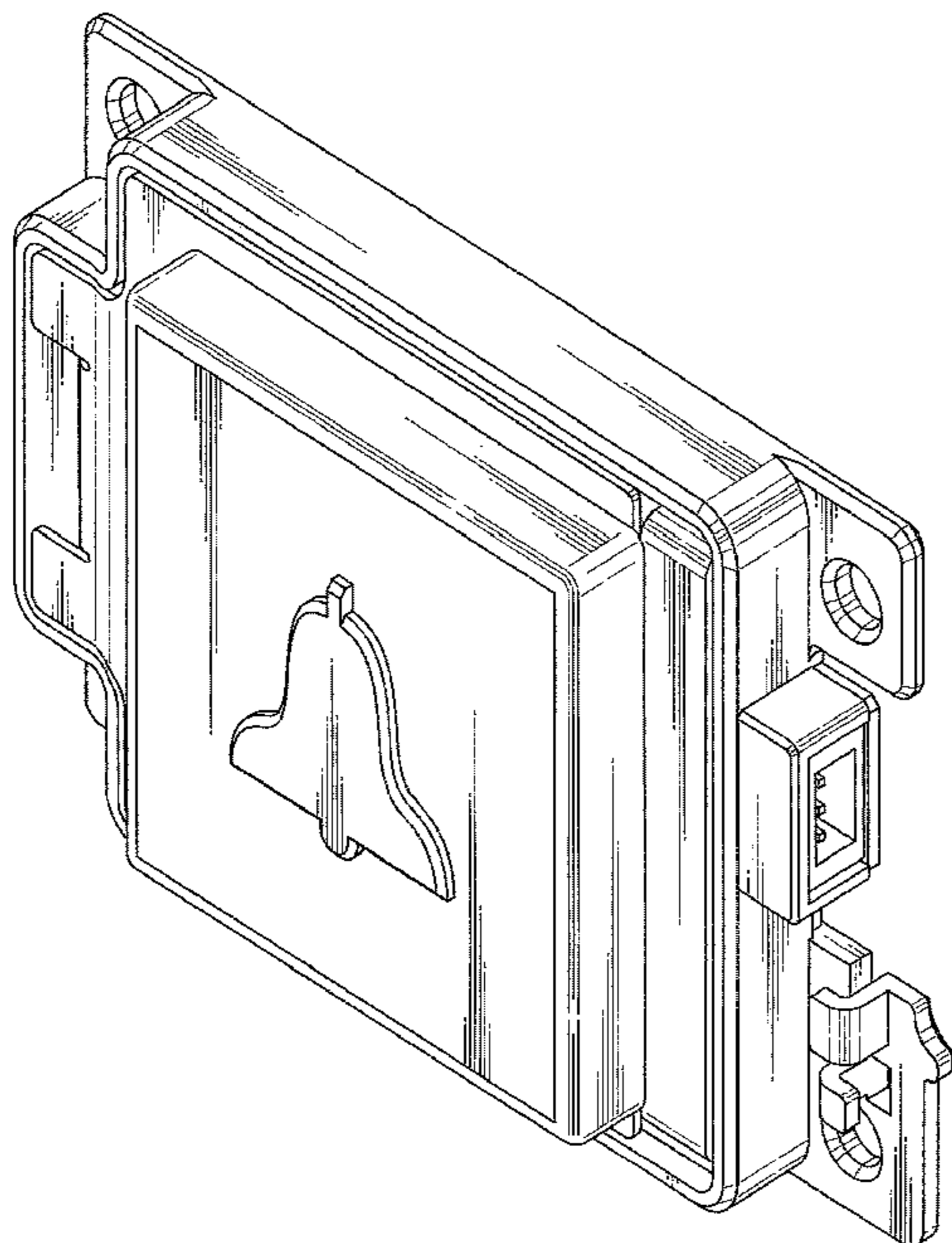
(57) **CLAIM**

The ornamental design for an operation button for elevator, as shown and described.

**DESCRIPTION**

FIG. 1 is a perspective view of front, right and top plan side of an operation button for elevator showing our new design; FIG. 2 is a front view thereof; FIG. 3 is a rear view thereof; FIG. 4 is a top plan view thereof; FIG. 5 is a bottom view thereof; FIG. 6 is a left side view thereof; and, FIG. 7 is a right side view thereof.

**1 Claim, 5 Drawing Sheets**



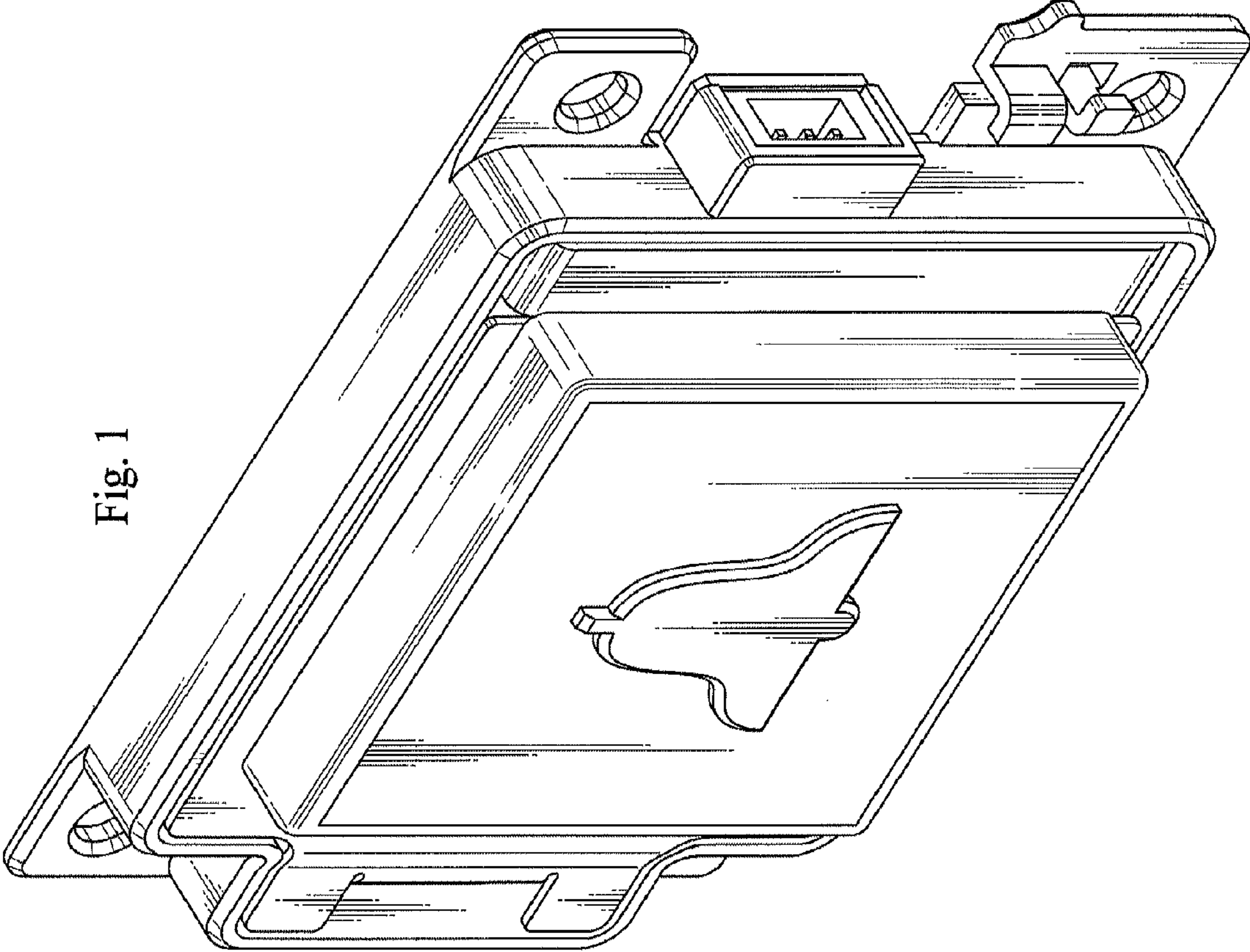


Fig. 1

Fig. 2

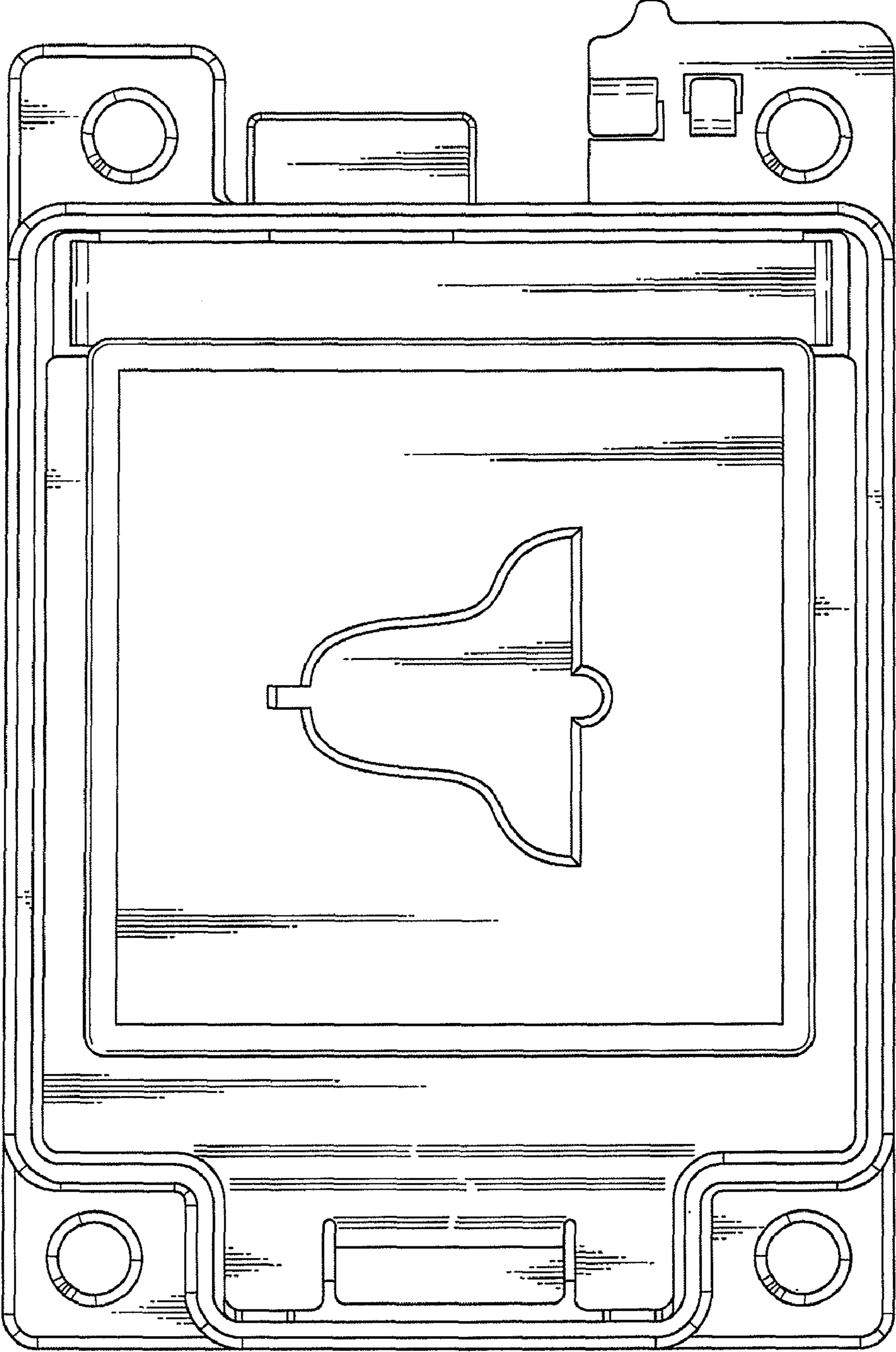


Fig. 3

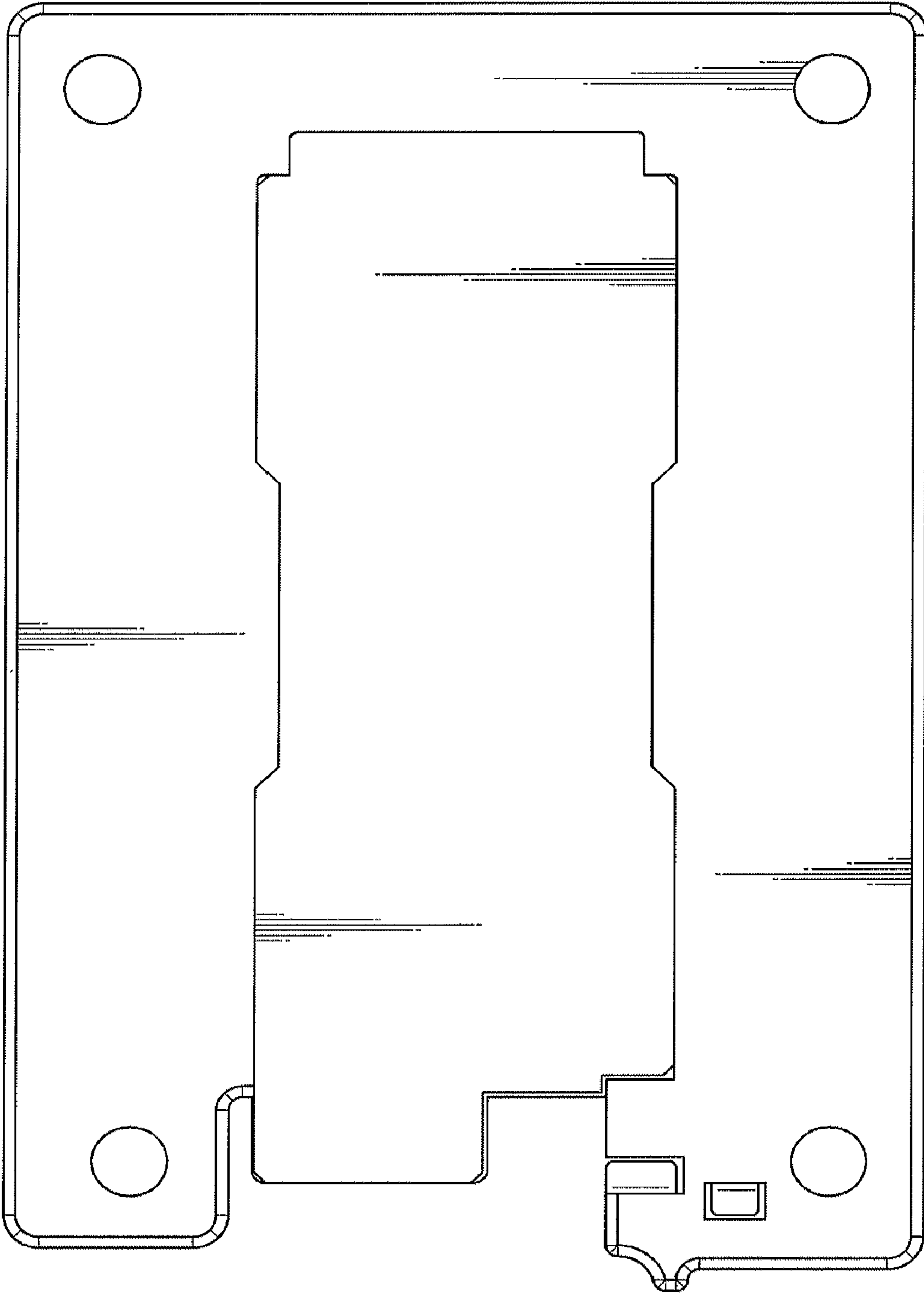


Fig. 4

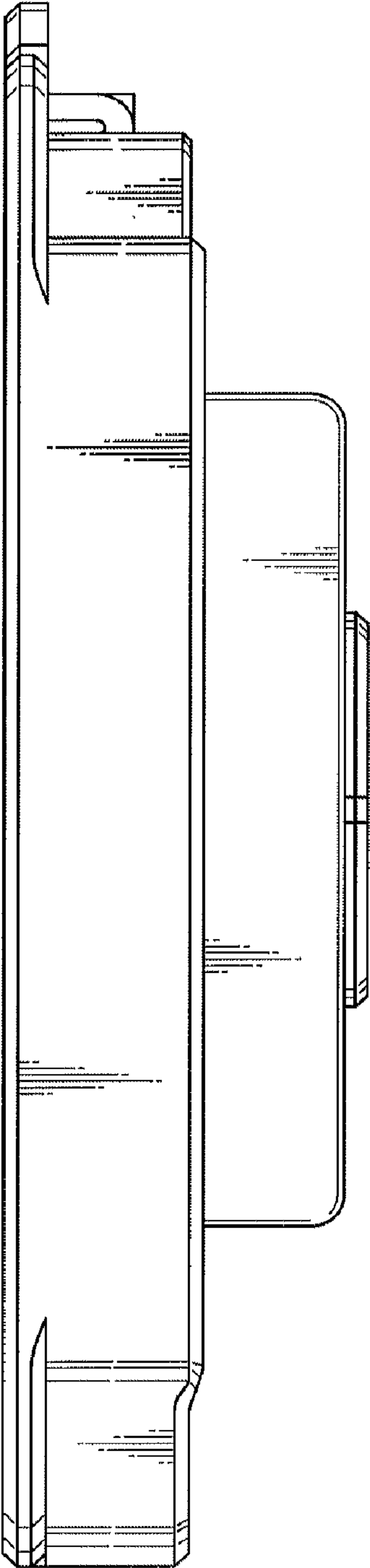


Fig. 5

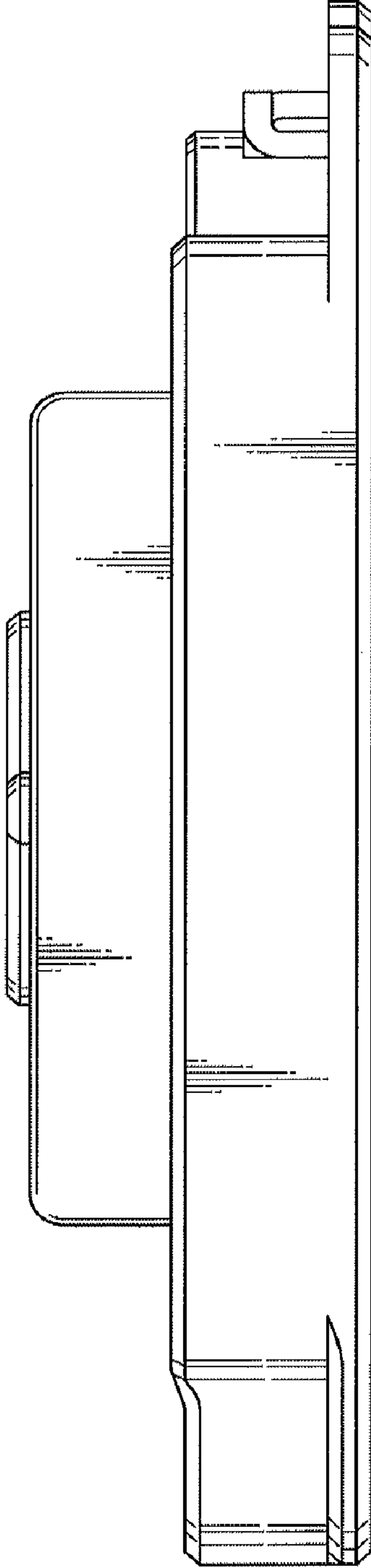


Fig. 7

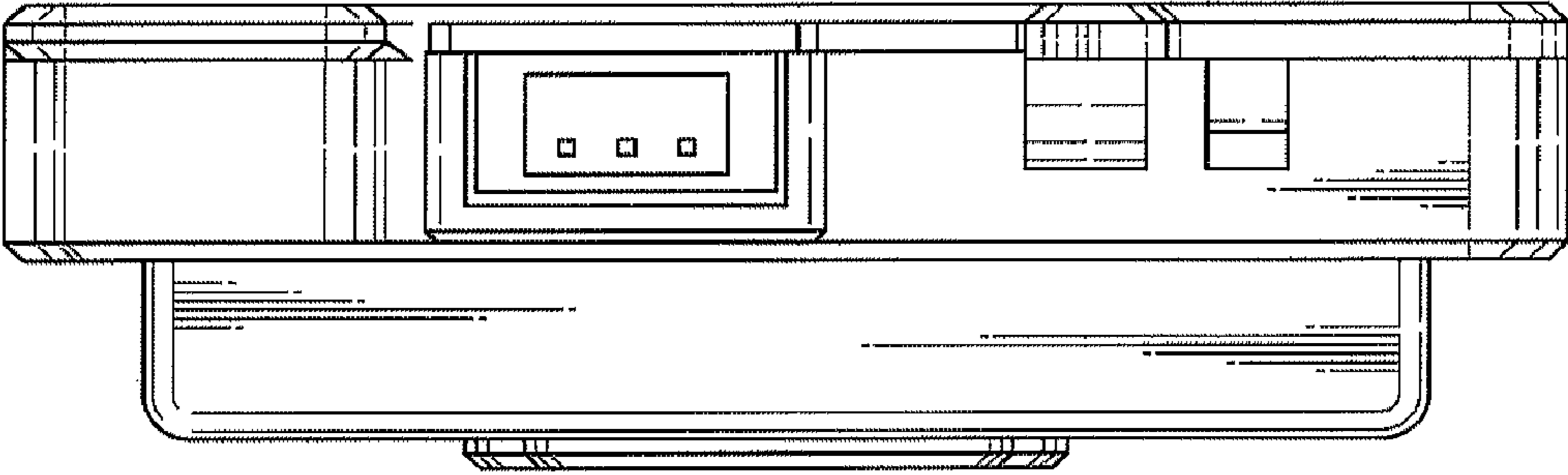


Fig. 6

