

US00D663637S

(12) **United States Design Patent**
Stout

(10) **Patent No.:** **US D663,637 S**

(45) **Date of Patent:** **** Jul. 17, 2012**

(54) **TRAILER TONGUE WEIGHT SCALE**

(76) Inventor: **Edwin I. Stout**, Anchorage, AK (US)

(**) Term: **14 Years**

(21) Appl. No.: **29/373,030**

(22) Filed: **Feb. 22, 2011**

(51) **LOC (9) Cl.** **10-04**

(52) **U.S. Cl.** **D10/89**

(58) **Field of Classification Search** D10/88-90;
177/136, 164, 225, 230, 245, 208, 145, 233;
280/477, 489

See application file for complete search history.

(56) **References Cited**

U.S. PATENT DOCUMENTS

3,700,053 A 10/1972 Glissendorf
3,797,594 A * 3/1974 Chaffee 177/136
4,056,155 A * 11/1977 Wahl 177/145

D255,664 S * 7/1980 Wahl D10/89
D363,242 S 10/1995 Scanlon

* cited by examiner

Primary Examiner — Antoine D Davis

(74) *Attorney, Agent, or Firm* — Paul R. Martin

(57) **CLAIM**

The ornamental design for a trailer tongue weight scale, as shown and described.

DESCRIPTION

FIG. 1 is a perspective view of my new design for trailer tongue weight scale.

FIG. 2 is a front elevational view of the trailer tongue weight scale shown in FIG. 1.

FIG. 3 is a rear elevational view thereof.

FIG. 4 is a left side elevational view thereof.

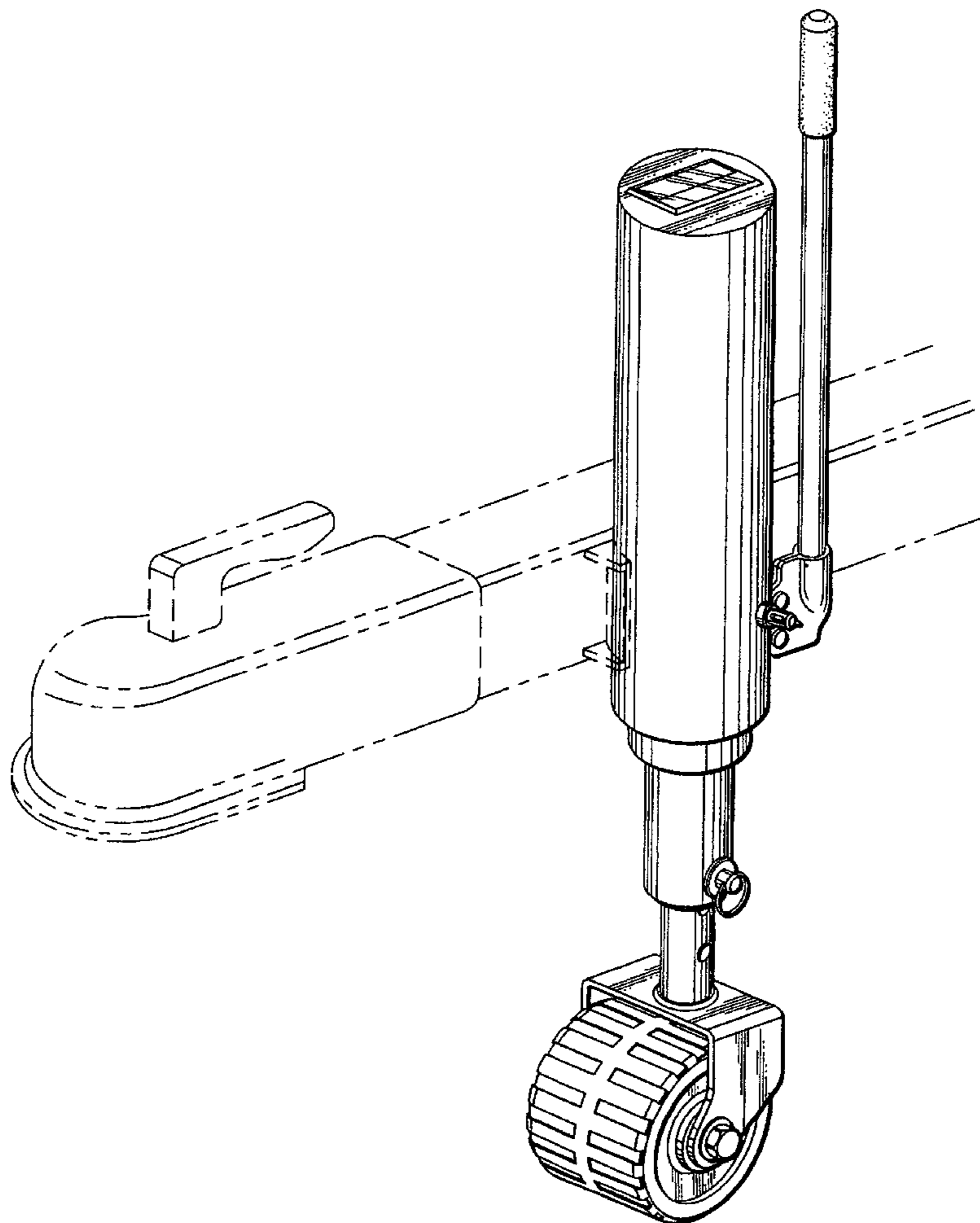
FIG. 5 is a right side elevational view thereof.

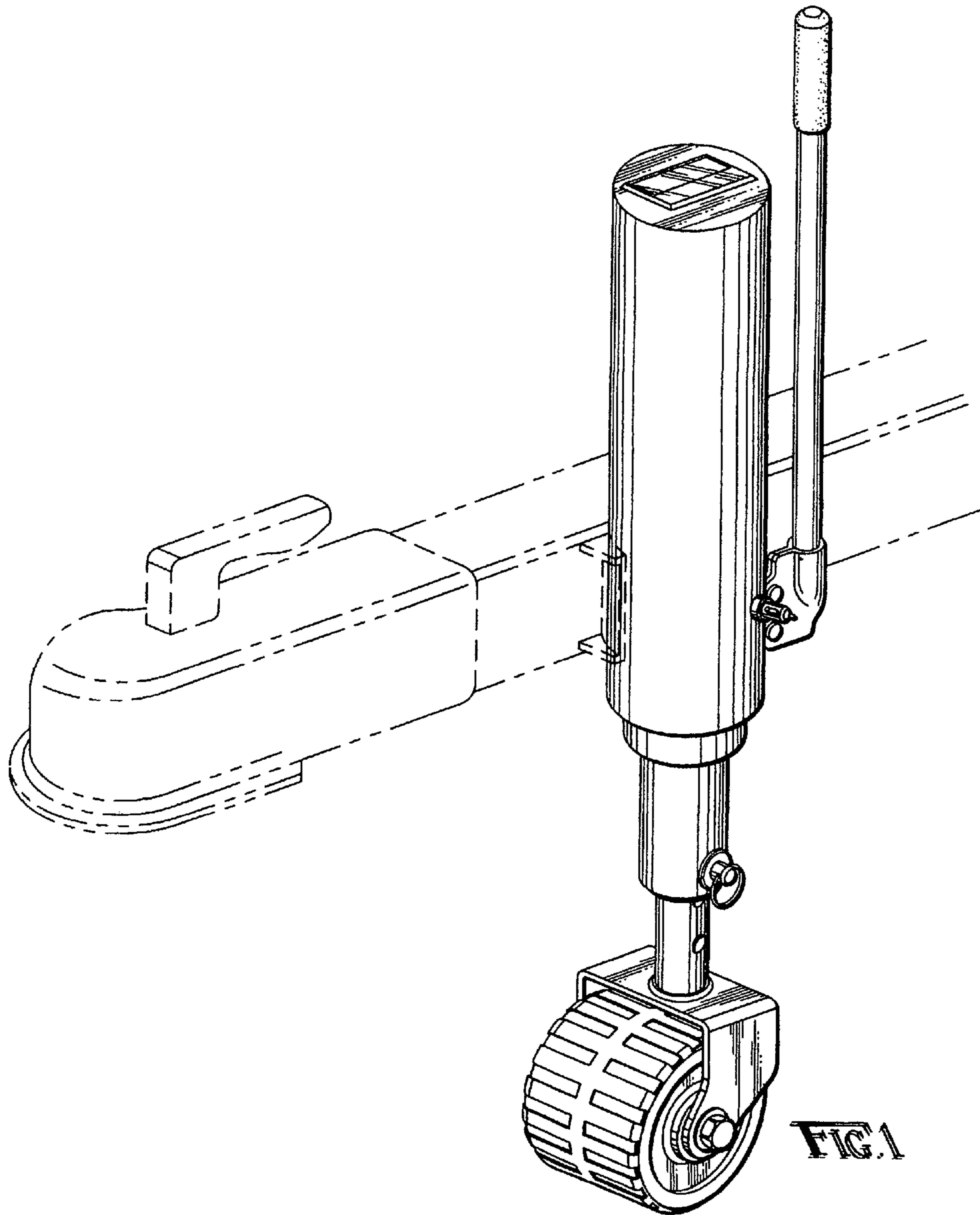
FIG. 6 is a top plan view thereof; and,

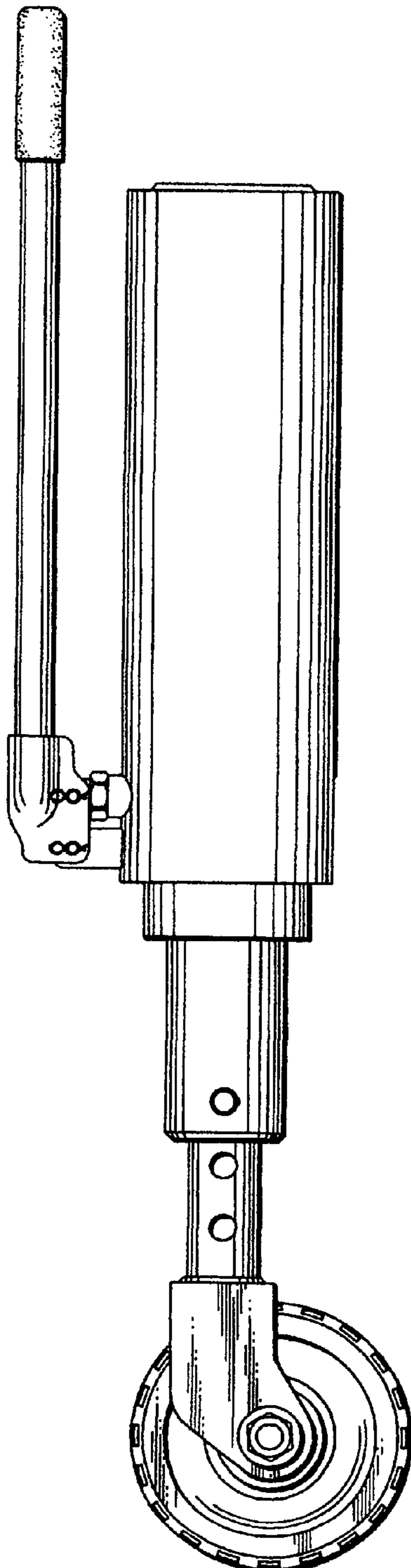
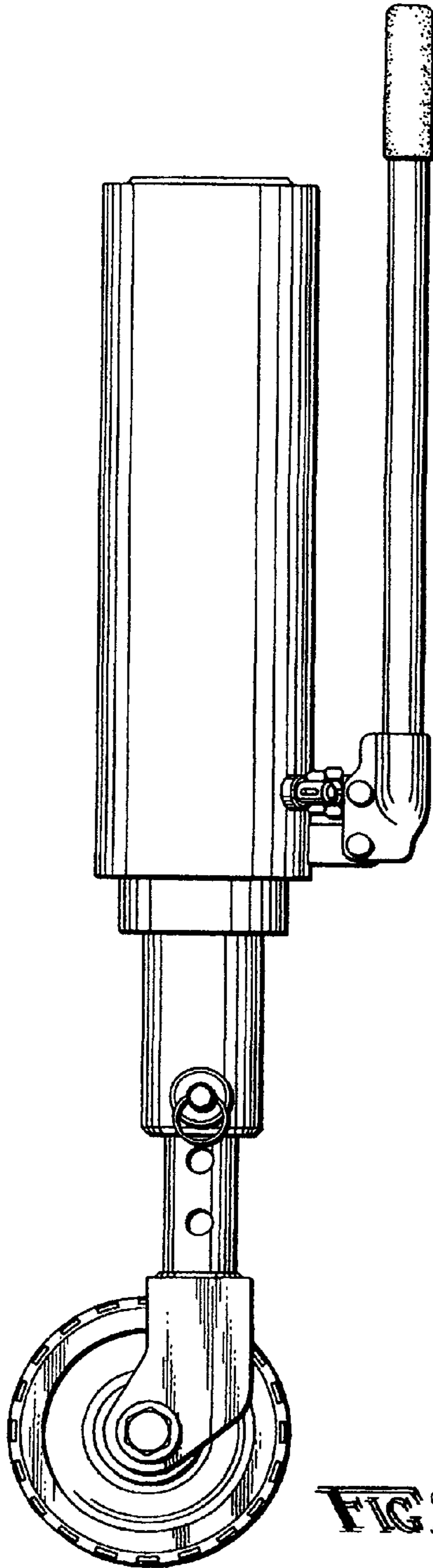
FIG. 7 is a bottom plan view thereof.

The broken line element in FIG. 1, depicting a trailer tongue, is environmental, and forms no part of the invention.

1 Claim, 4 Drawing Sheets







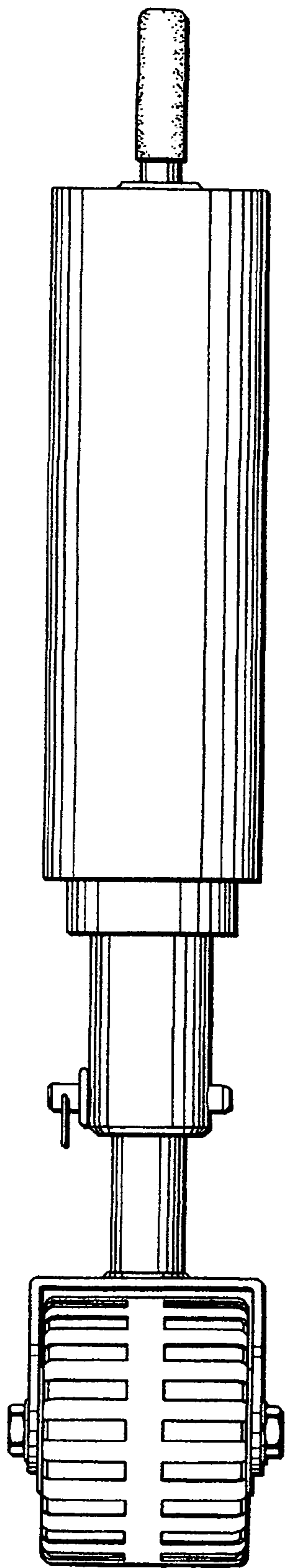


FIG. 4

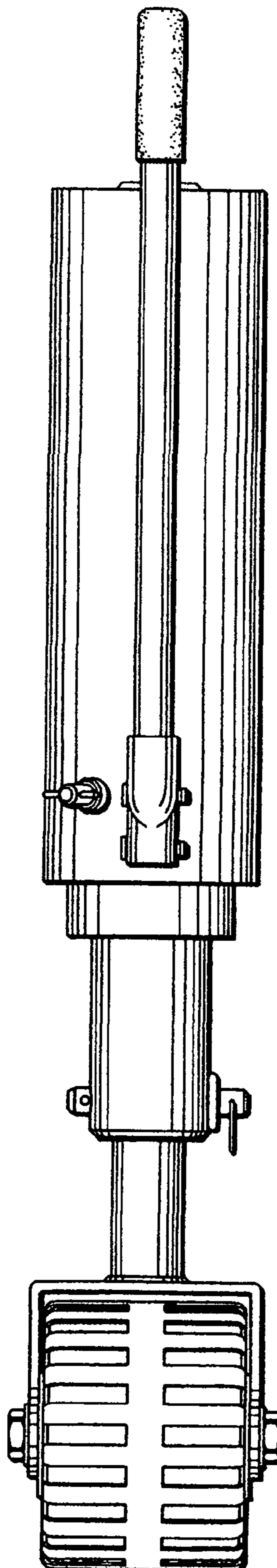


FIG. 5

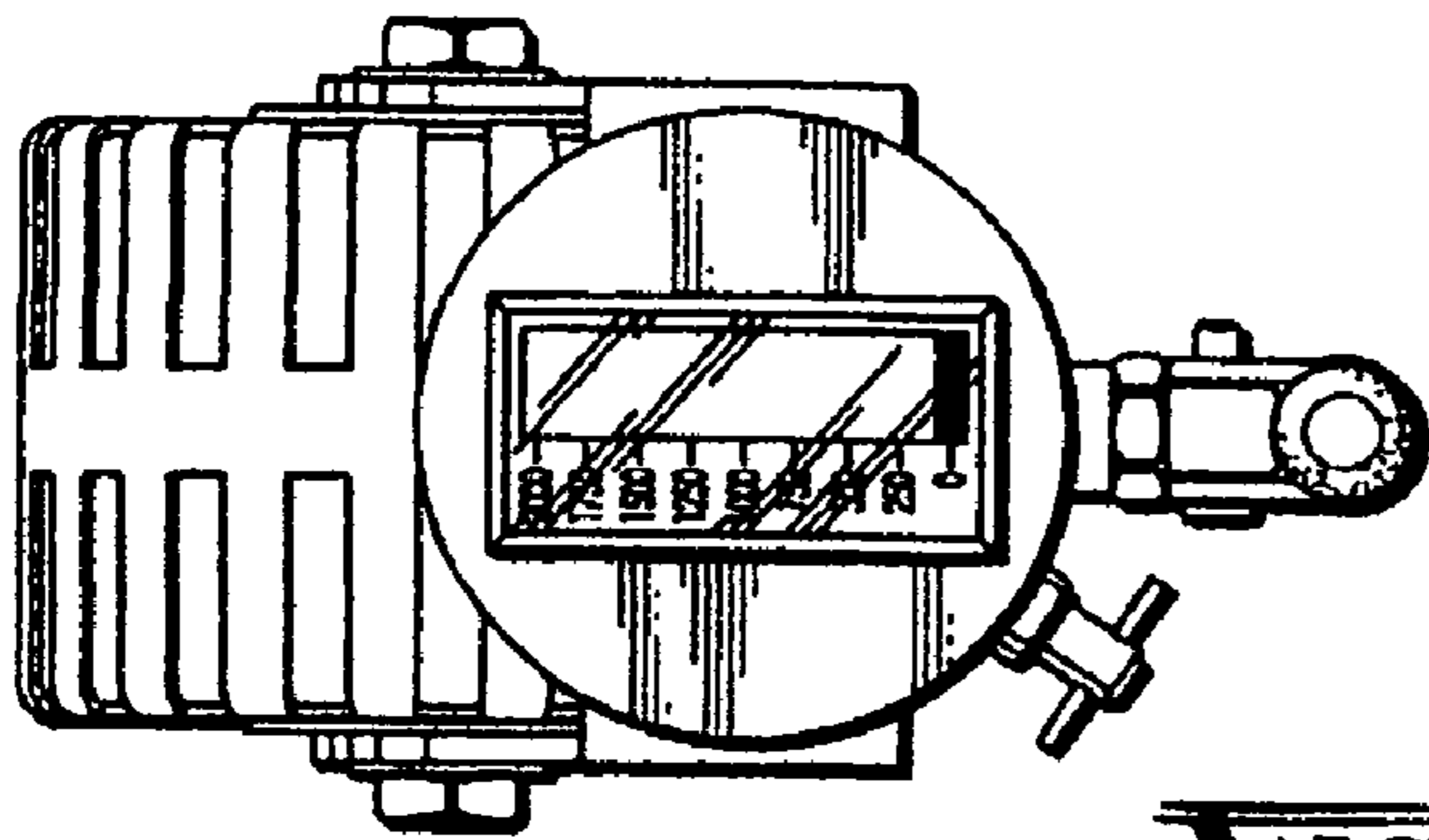


FIG. 6

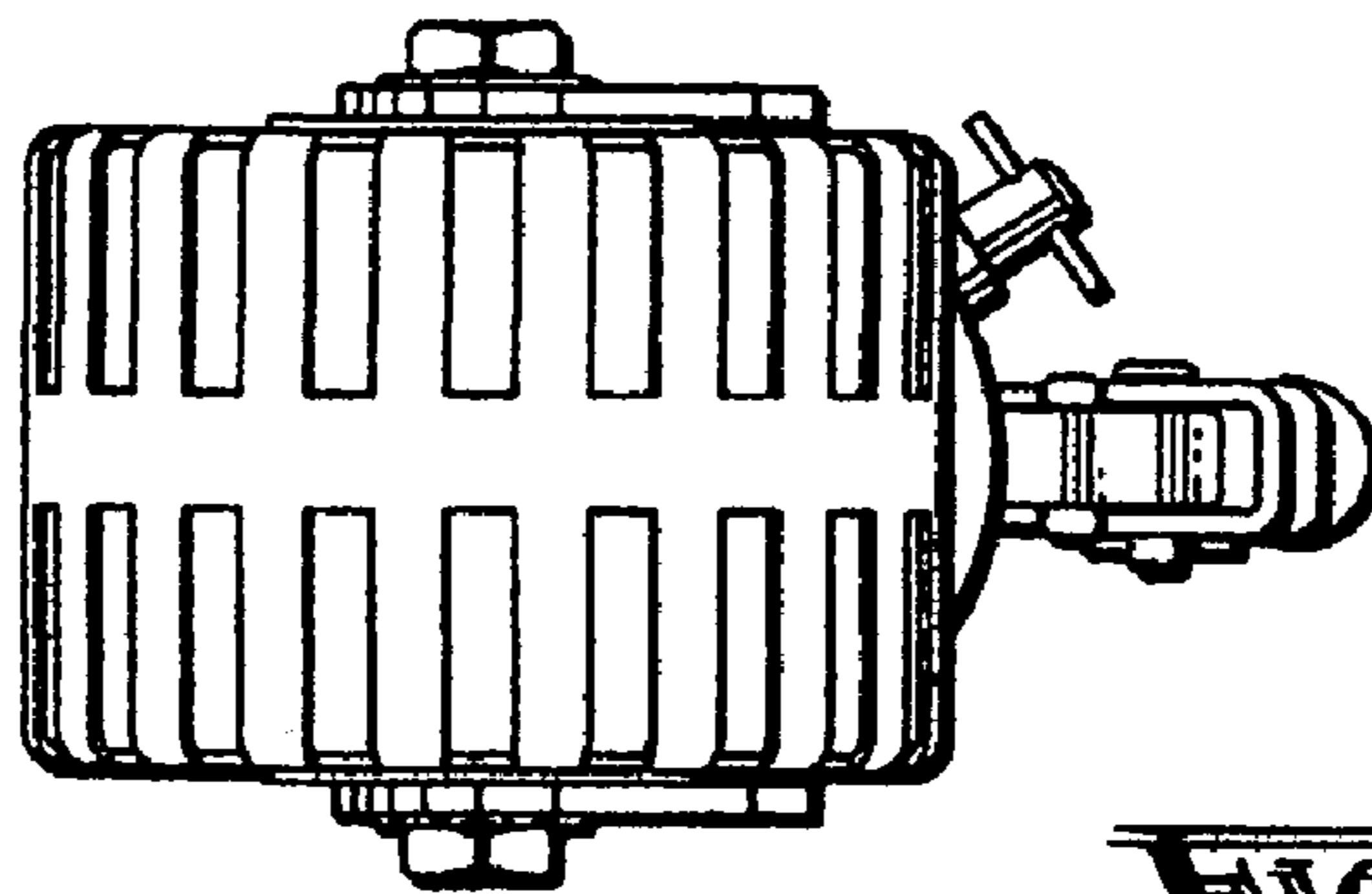


FIG. 7