



US00D663632S

(12) **United States Design Patent**
Peters et al.

(10) **Patent No.:** **US D663,632 S**
(45) **Date of Patent:** **** Jul. 17, 2012**

(54) **WET WIPE DISPENSER**

(75) Inventors: **Timothy James Peters**, Neenah, WI (US); **Ryan Leslie Fulscher**, Neenah, WI (US); **Robert Samuel Schlaupitz**, New London, WI (US); **Kieron H. Tse**, Chicago, IL (US); **Tyson Manullang**, Chicago, IL (US)

(73) Assignee: **Kimberly-Clark Worldwide, Inc.**, Neenah, WI (US)

(**) Term: **14 Years**

(21) Appl. No.: **29/368,787**

(22) Filed: **Aug. 30, 2010**

(51) **LOC (9) Cl.** **09-03**

(52) **U.S. Cl.** **D9/734**

(58) **Field of Classification Search** 222/173, 222/180; 221/26, 33, 45, 63, 282-284; 206/225, 206/233, 389, 391, 409, 494, 812, 824; 211/13.1, 211/45; 224/925; 242/570, 590; 248/309.1, 248/309.2, 905; D12/17, 19; D3/273, 294, D3/318; D9/420, 423, 549, 734; D6/512, D6/515-523

See application file for complete search history.

(56) **References Cited**

U.S. PATENT DOCUMENTS

2,840,266	A	6/1958	Nelson	
2,840,267	A	6/1958	Nelson	
3,819,043	A	6/1974	Harrison	
3,986,479	A	10/1976	Bonk	
4,535,912	A	8/1985	Bonk	
5,785,179	A	7/1998	Buczynski et al.	
D414,637	S	10/1999	Amundson et al.	
D442,081	S	5/2001	Paul	
D444,063	S *	6/2001	Buck et al.	D9/447
6,394,298	B1	5/2002	Zaidman	
D459,124	S *	6/2002	Le et al.	D9/734
D461,403	S	8/2002	Chomik et al.	
D465,685	S	11/2002	Dellerman et al.	

D467,454	S *	12/2002	Le et al.	D9/734
D469,287	S *	1/2003	Mathews	D9/435
6,585,131	B2	7/2003	Huang et al.	
6,592,004	B2	7/2003	Huang et al.	
D479,419	S	9/2003	White et al.	
D479,420	S	9/2003	White et al.	
6,766,919	B2	7/2004	Huang et al.	
D498,623	S	11/2004	Sams et al.	
6,889,867	B1	5/2005	Smith	
7,028,840	B2 *	4/2006	Huang et al.	206/494
7,063,245	B2	6/2006	Faulks et al.	
7,204,389	B2	4/2007	Smith	
D545,097	S	6/2007	Schlaupitz et al.	
7,614,519	B2	11/2009	Krauth et al.	
7,621,420	B2	11/2009	Bandoh et al.	
D630,939	S *	1/2011	Peters et al.	D9/420
2003/0113582	A1	6/2003	Litvinov et al.	
2006/0151515	A1	7/2006	Hood et al.	
2008/0179326	A1	7/2008	Krauth et al.	
2009/0014459	A1	1/2009	Hood et al.	
2010/0122985	A1	5/2010	Peters et al.	

FOREIGN PATENT DOCUMENTS

CA 094568 1/2002

(Continued)

Primary Examiner — Thomas Johannes

(74) *Attorney, Agent, or Firm* — R. Joseph Foster, III

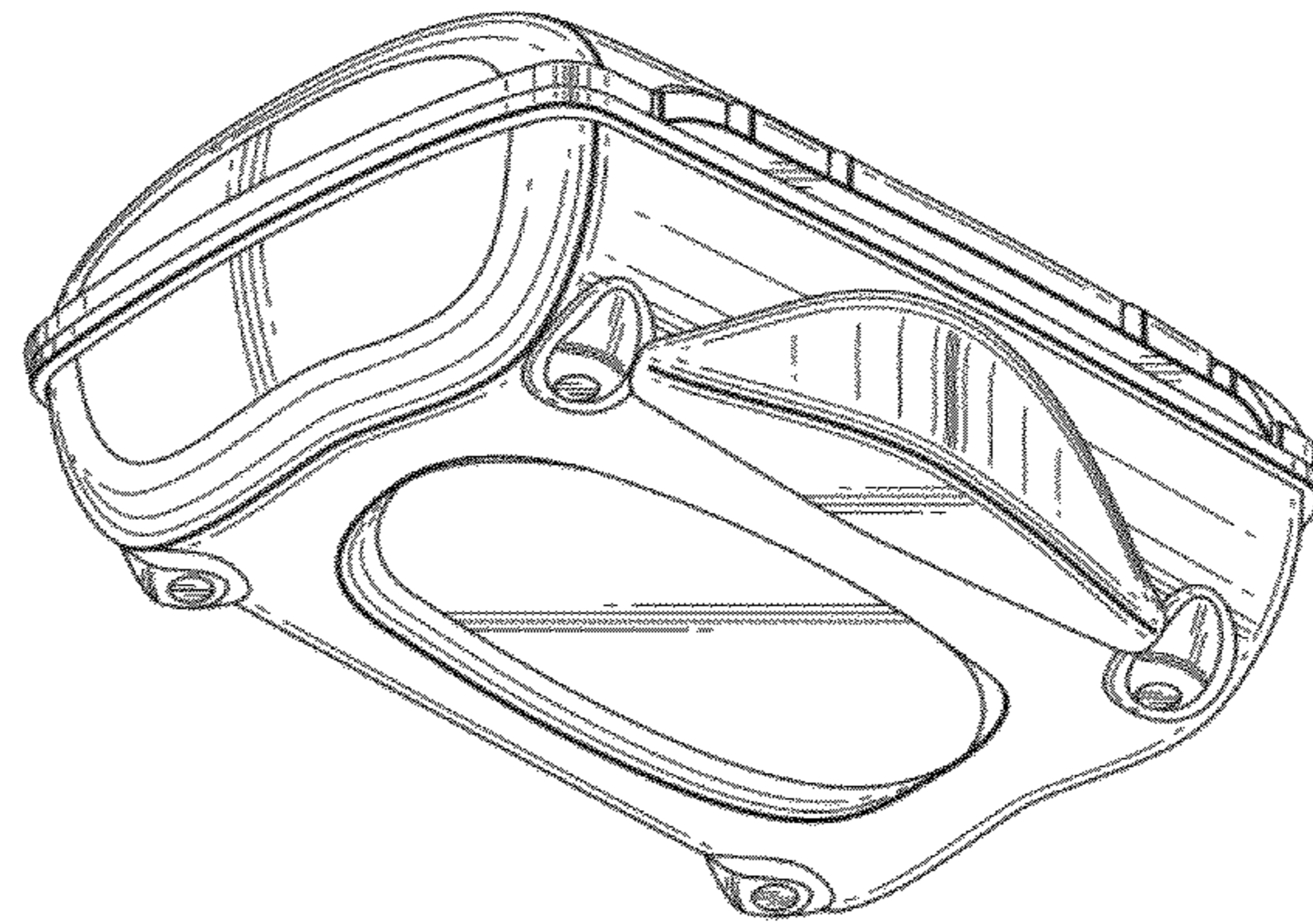
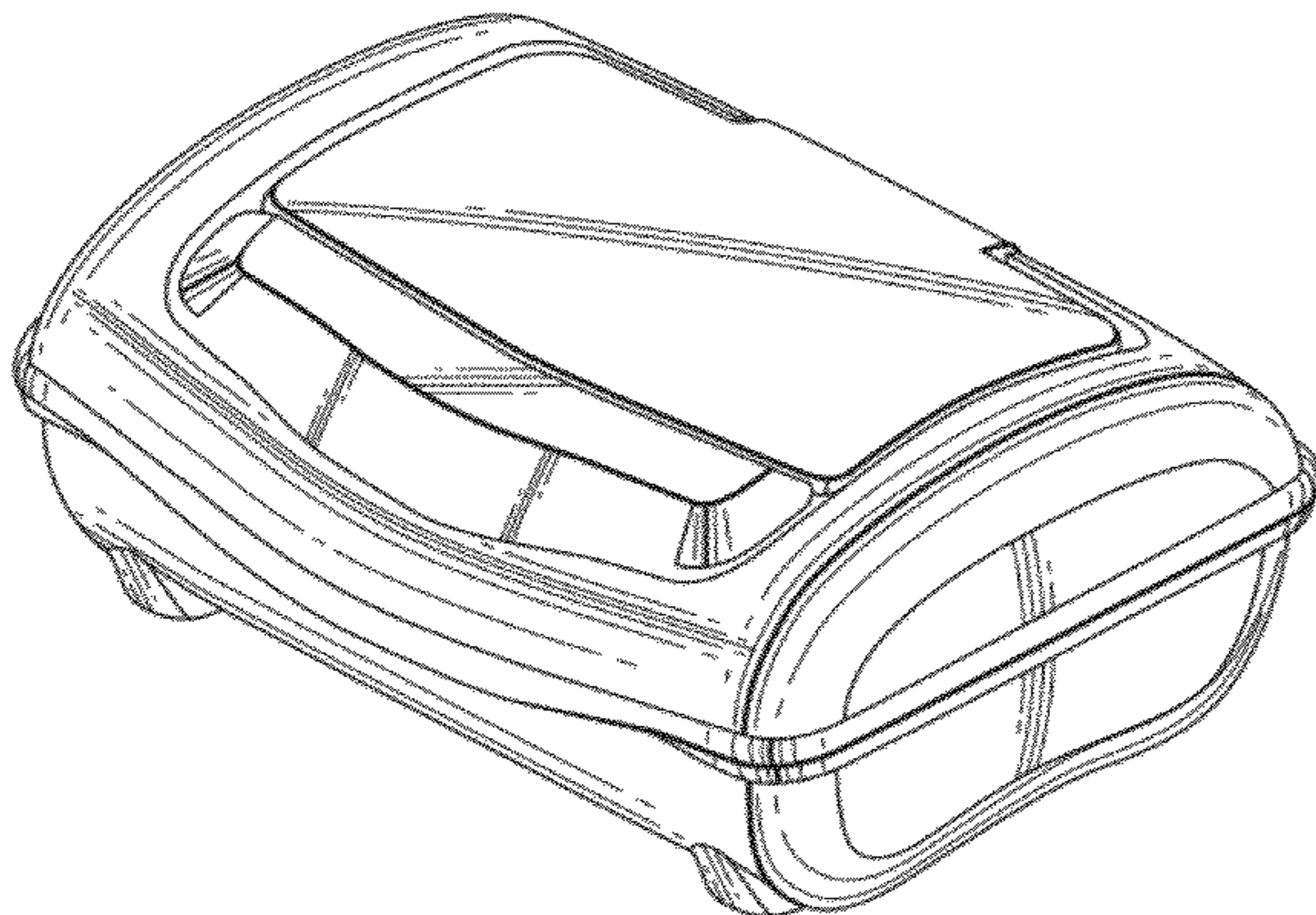
(57) **CLAIM**

We claim the ornamental design for a wet wipe dispenser, as shown.

DESCRIPTION

FIG. 1 is a top front perspective view of a wet wipe dispenser showing our new design; FIG. 2 is a top view thereof; FIG. 3 is a front view thereof; FIG. 4 is a side view thereof; FIG. 5 is a back view thereof; FIG. 6 is a bottom rear perspective view thereof; FIG. 7 is another top front perspective view thereof; and, FIG. 8 is a bottom view thereof.

1 Claim, 4 Drawing Sheets



US D663,632 S

Page 2

FOREIGN PATENT DOCUMENTS					
CA	100453	2/2004	GB	3 008 980	1/2003
CA	101375	3/2004	GB	3 008 981	1/2003
CA	101376	3/2004	JP	2003-170950 A	6/2003
CA	119905	4/2008	KR	300328462	7/2003
CN	3347847	1/2004	WO	WO 24971-010	1/1993
EM	590112.0007	9/2006	WO	WO 59619-001	4/2002
EP	0 953 313 A1	11/1999	WO	WO 63250-002	3/2003
EP	1 000 577 B1	3/2006	WO	WO 2005/023677 A1	3/2005
GB	2 076 718 A	12/1981	WO	WO 2007/010475 A2	1/2007
GB	2 087 125 A	5/1982	WO	WO 2007/144558 A2	12/2007
GB	2 102 673 A	2/1983	WO	WO 2009/078774 A2	6/2009
GB	3 001 914	3/2002			

* cited by examiner

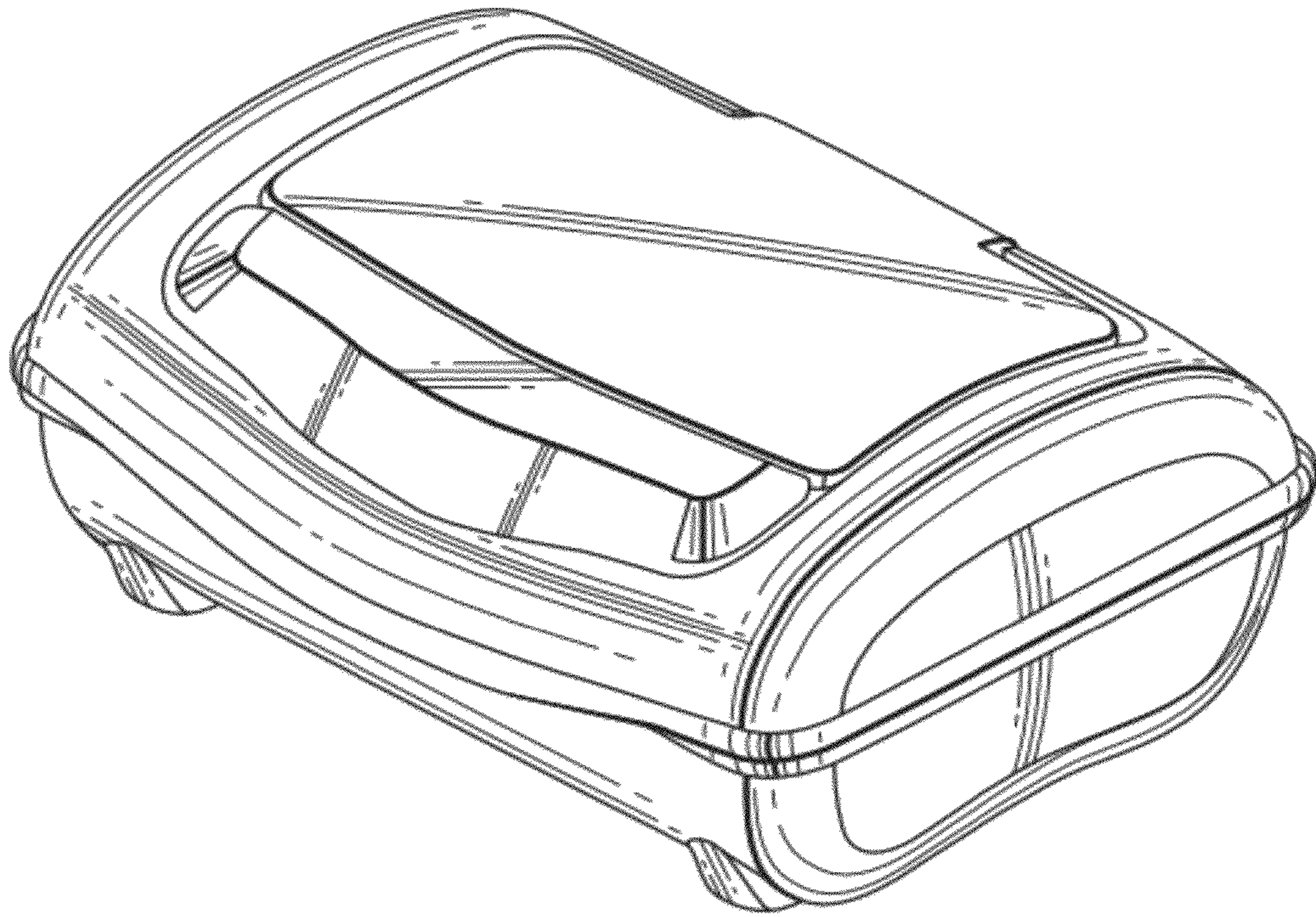


FIG. 1

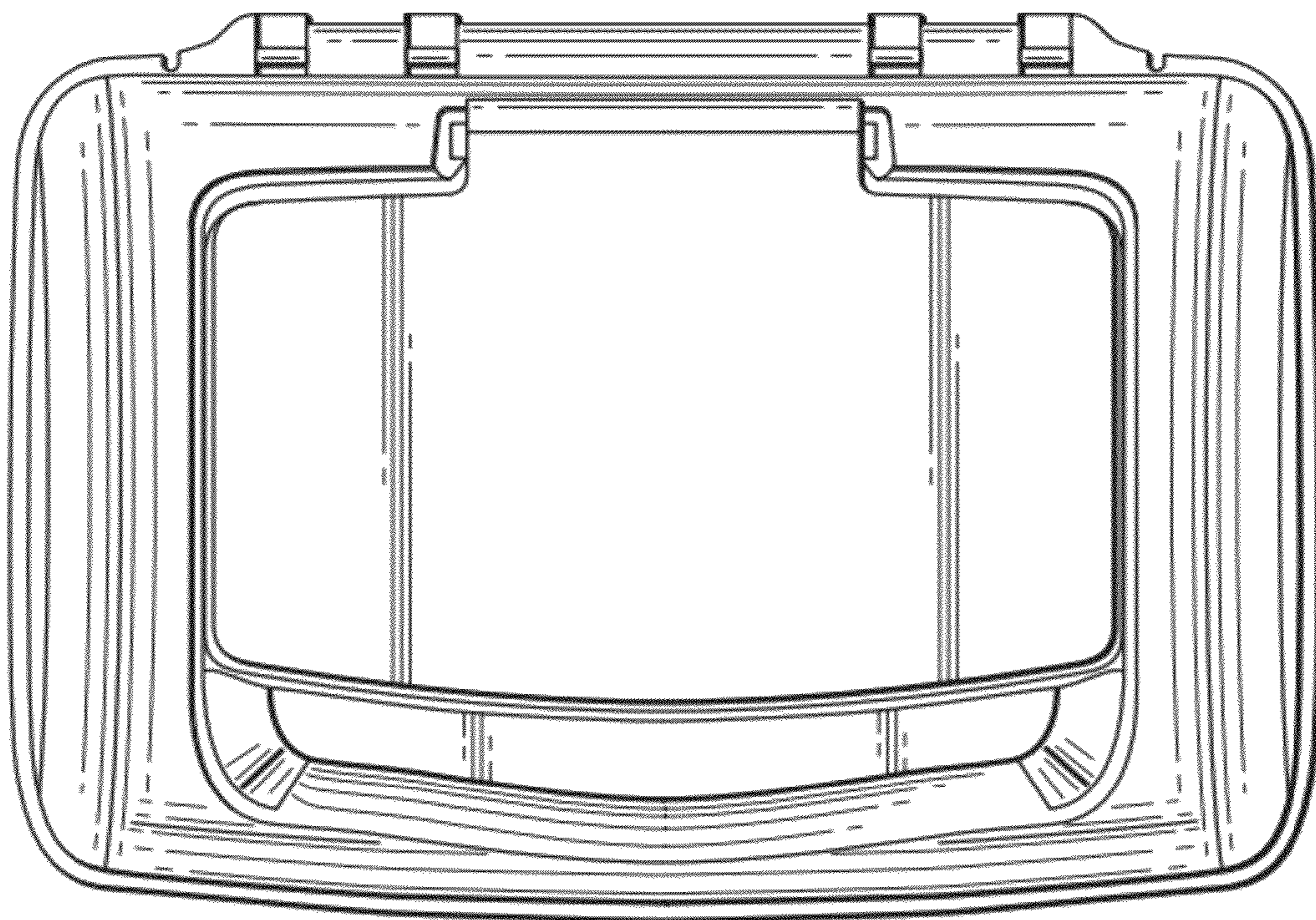


FIG. 2

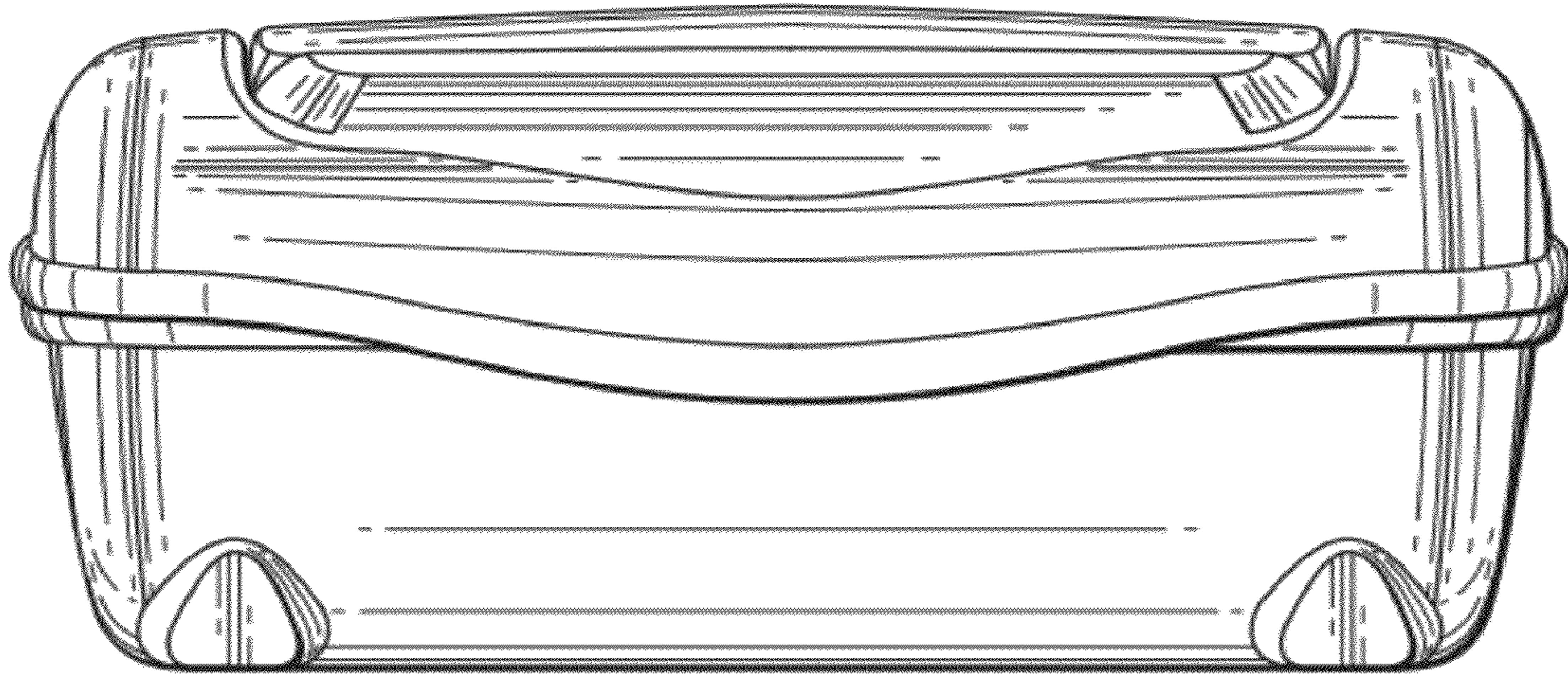


FIG. 3

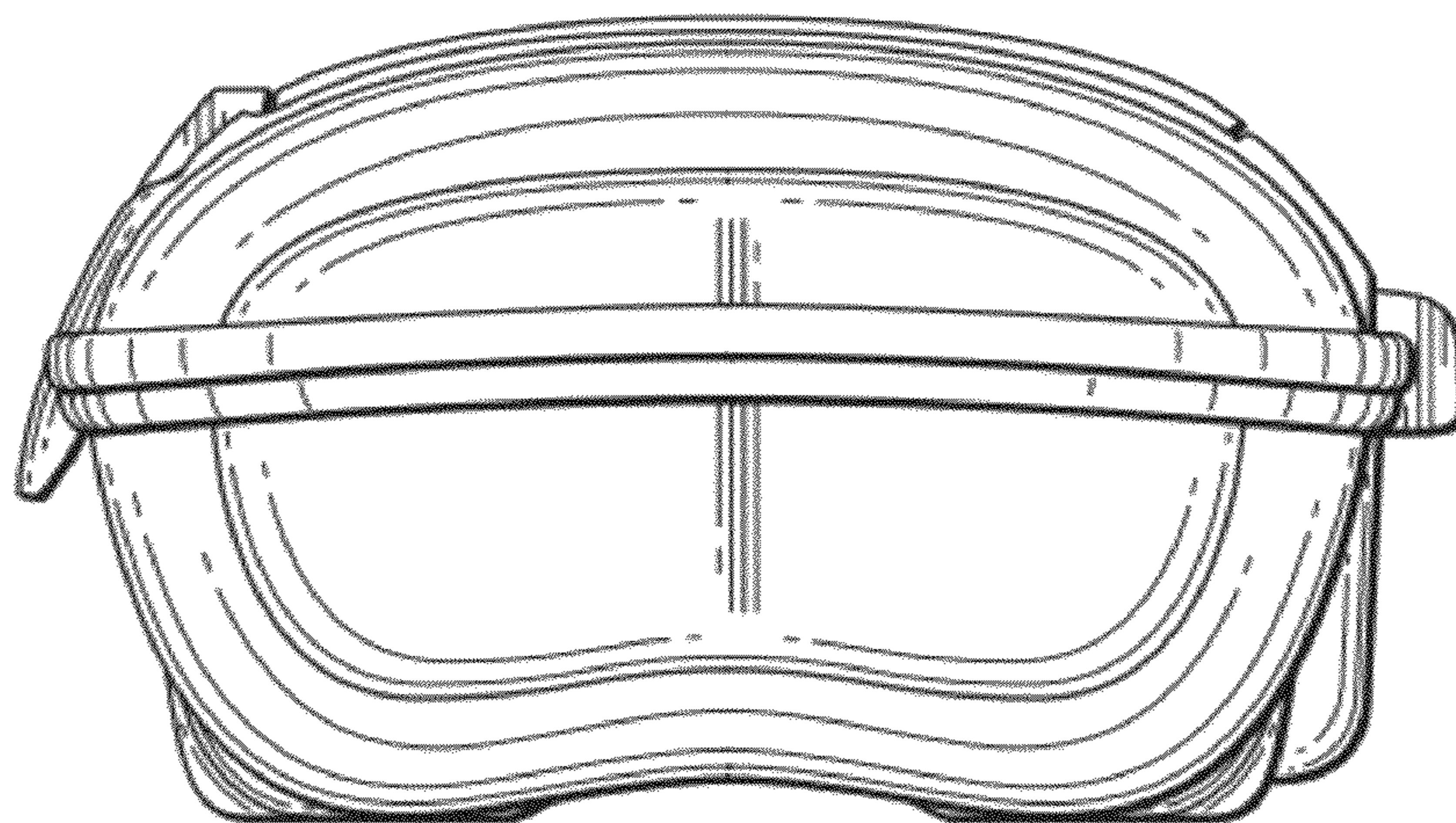


FIG. 4

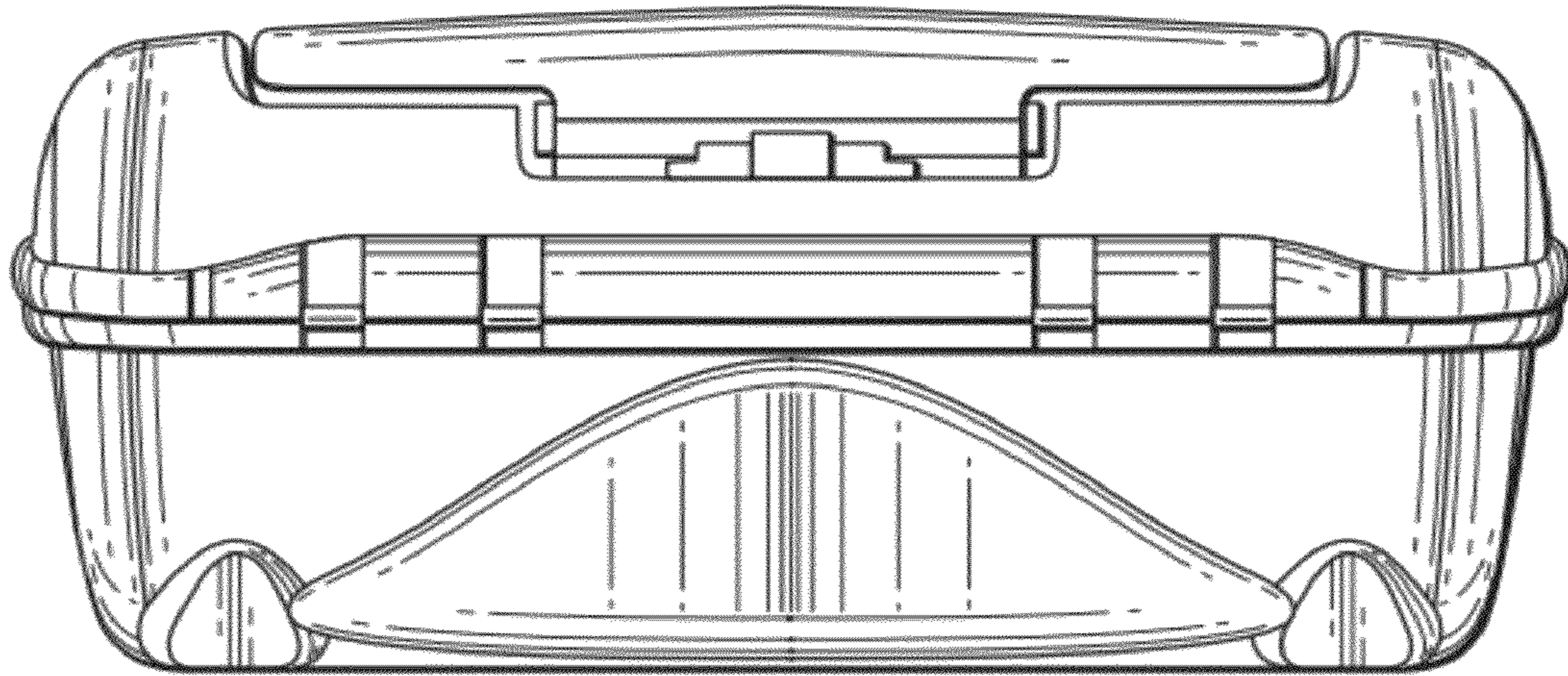


FIG. 5

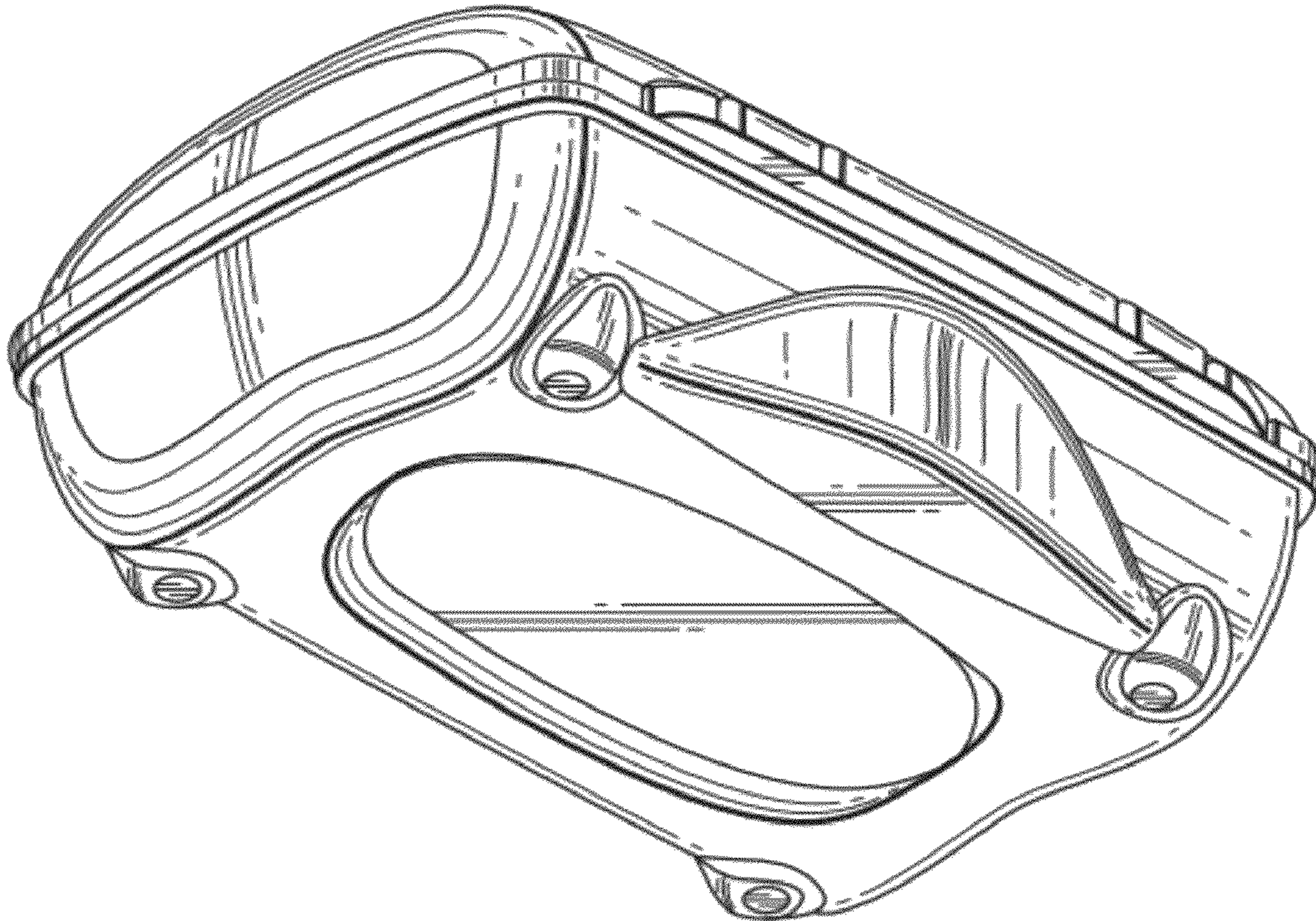


FIG. 6



FIG. 7

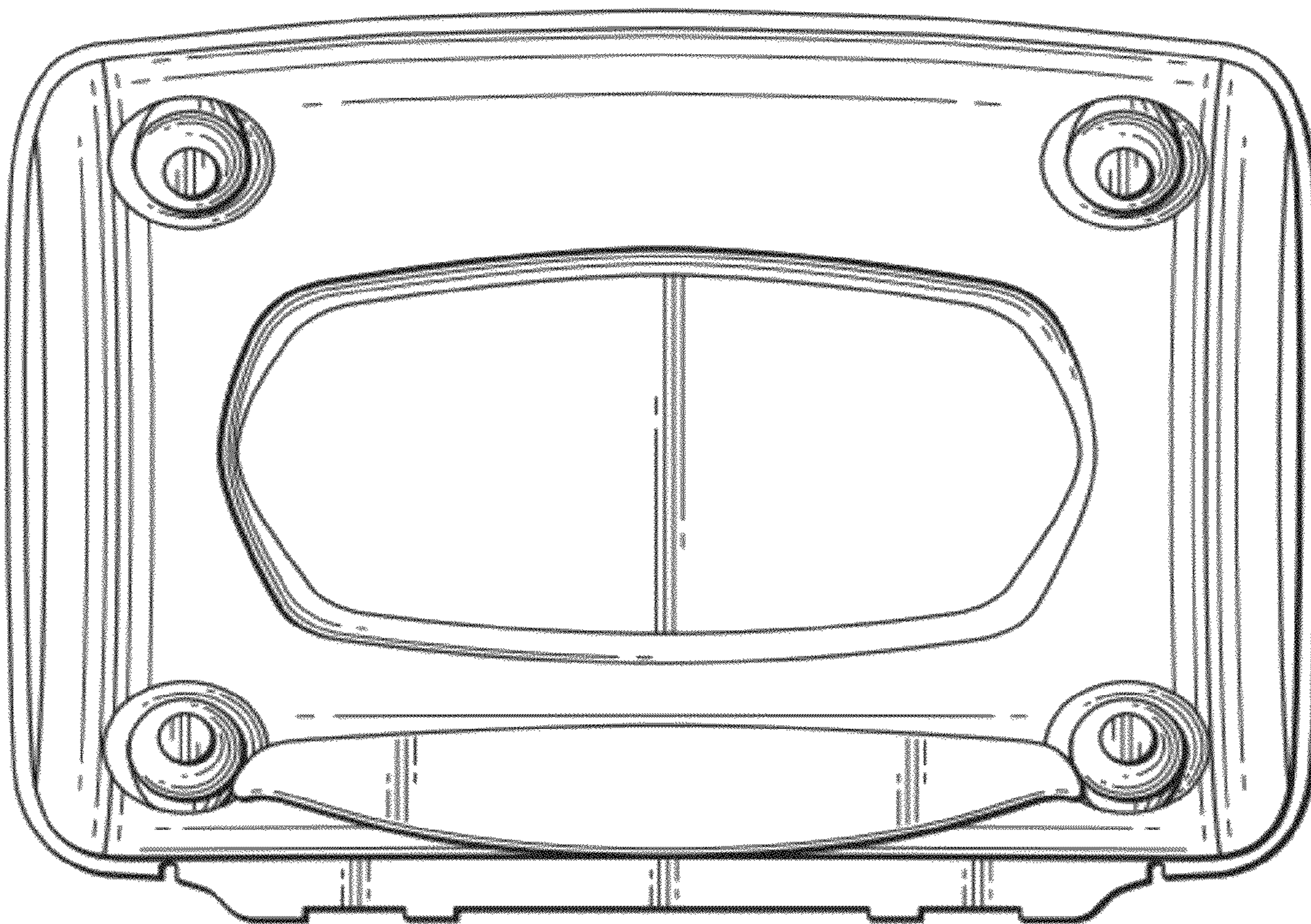


FIG. 8