



US00D663623S

(12) **United States Design Patent**
Slubski

(10) **Patent No.:** **US D663,623 S**

(45) **Date of Patent:** **** Jul. 17, 2012**

(54) **BOTTLE**

(76) **Inventor:** **Esther Slubski**, Old Bethpage, NY (US)

(**) **Term:** **14 Years**

(21) **Appl. No.:** **29/381,816**

(22) **Filed:** **Dec. 23, 2010**

(51) **LOC (9) Cl.** **09-01**

(52) **U.S. Cl.** **D9/537; D9/549**

(58) **Field of Classification Search** D9/682,
D9/686-694, 516, 522, 529-530, 533, 536,
D9/537-544, 549, 556, 571, 574-575, 767;
215/379, 381-384; 220/660, 662, 669, 675;
D7/509, 510, 511, 608, 300.1

See application file for complete search history.

(56) **References Cited**

U.S. PATENT DOCUMENTS

1,740,223	A	*	12/1929	Burvenick	D7/300.1 X
D201,791	S	*	8/1965	Hershberger et al.	D32/30
D322,027	S	*	12/1991	Knudsen et al.	D9/516
5,178,816	A	*	1/1993	Suzuki et al.	264/530
5,385,250	A	*	1/1995	Pasquale	220/669 X
D433,337	S	*	11/2000	Cautereels	D9/539
D460,696	S	*	7/2002	Goettner	D9/539 X
D473,469	S	*	4/2003	Claessen	D9/537
D488,386	S	*	4/2004	Hall et al.	D9/574 X
D492,203	S	*	6/2004	Curtis et al.	D9/556
D522,865	S	*	6/2006	Andoh	D9/503
D523,346	S	*	6/2006	Andoh	D9/543
D529,390	S	*	10/2006	Lalanne et al.	D9/571 X
D563,788	S	*	3/2008	Reimann et al.	D9/516

D576,495	S	*	9/2008	Slubski	D9/537
D592,967	S	*	5/2009	Melrose et al.	D9/574
D596,037	S	*	7/2009	Slubski	D9/549 X
D610,911	S	*	3/2010	Kim et al.	D9/575 X
D611,355	S	*	3/2010	Kim et al.	D9/540
D611,819	S	*	3/2010	Slubski	D9/516
D617,200	S	*	6/2010	Goldburt	D9/540
D654,752	S	*	2/2012	Krasner	D7/300.1
D655,172	S	*	3/2012	Brooks et al.	D9/522
2009/0134111	A1	*	5/2009	Schroeder	215/383 X

* cited by examiner

Primary Examiner — Carol P Rademaker

(74) *Attorney, Agent, or Firm* — Hoffmann & Baron, LLP

(57) **CLAIM**

The ornamental design for a bottle, as shown and described.

DESCRIPTION

FIG. 1 is a top, front, right side perspective view in accordance with the bottle of the invention;
FIG. 2 is a top plan view thereof;
FIG. 3 is a front elevational view thereof;
FIG. 4 is a right side elevational view thereof, the left side elevational view being a mirror image;
FIG. 5 is a rear elevational view thereof; and,
FIG. 6 is a bottom plan view thereof.
The dot-dash-dot-dash broken lines shown in the drawings are included for the purpose of illustrating environmental structure and form no part of the claimed design.

1 Claim, 6 Drawing Sheets

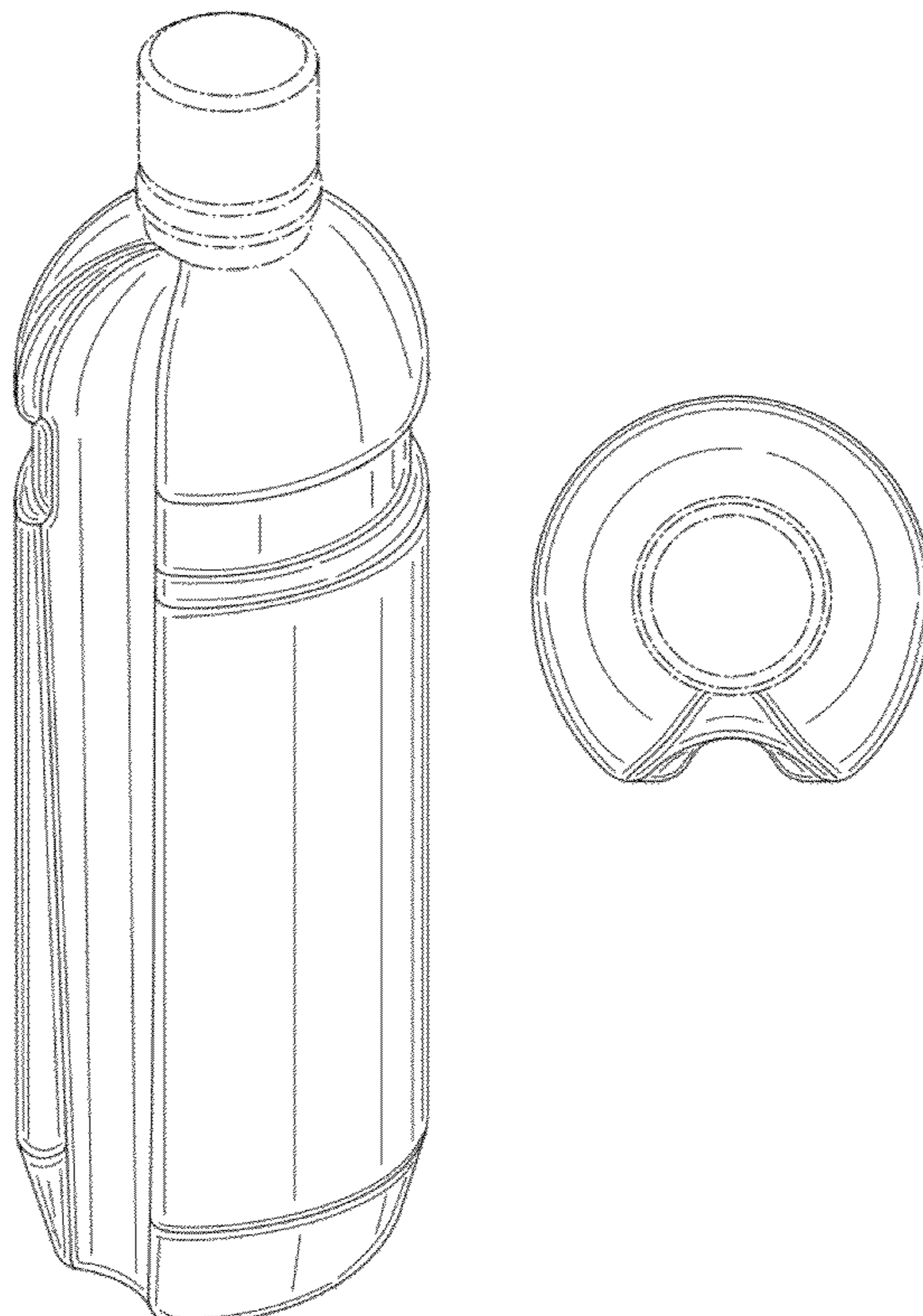


FIG. 1

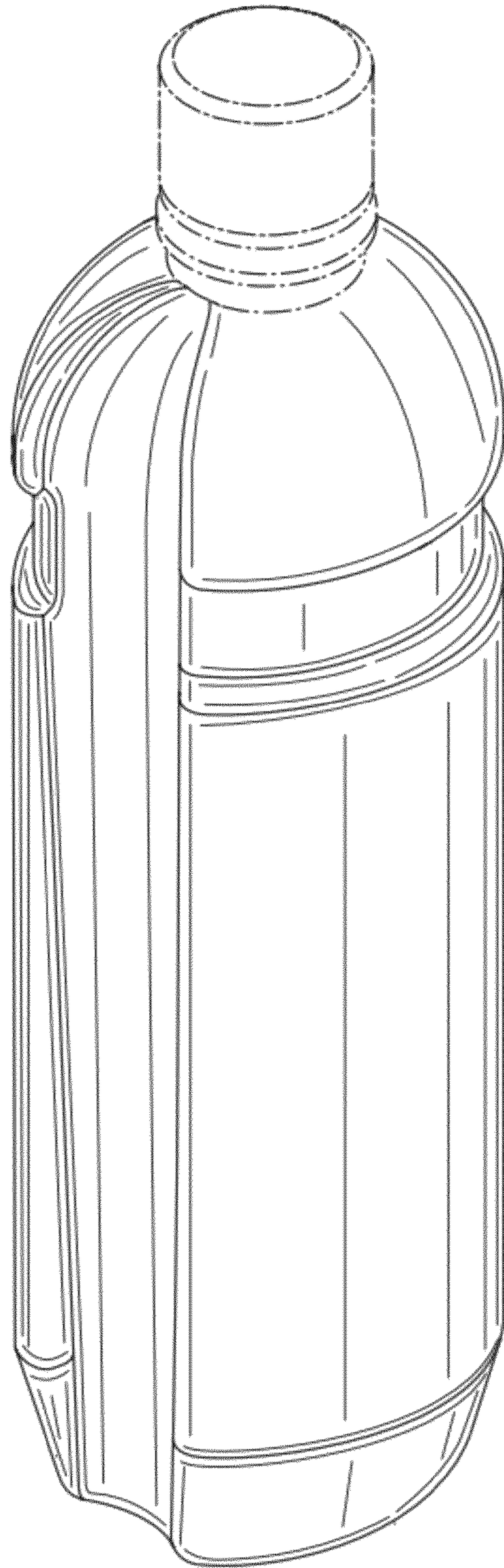


FIG. 2



FIG. 3

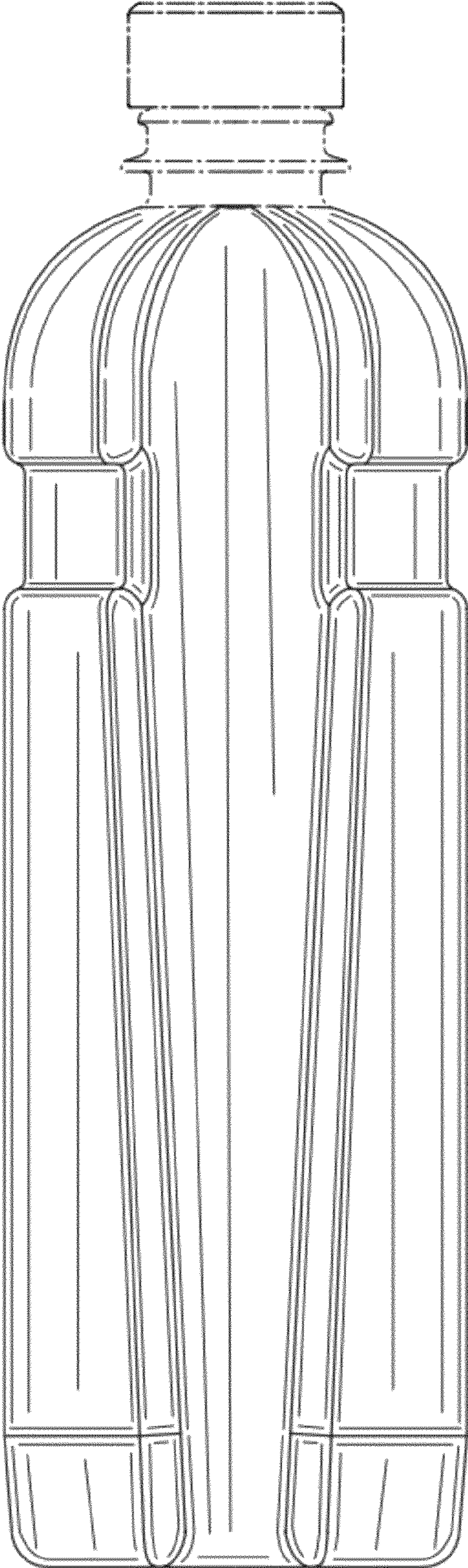


FIG. 4

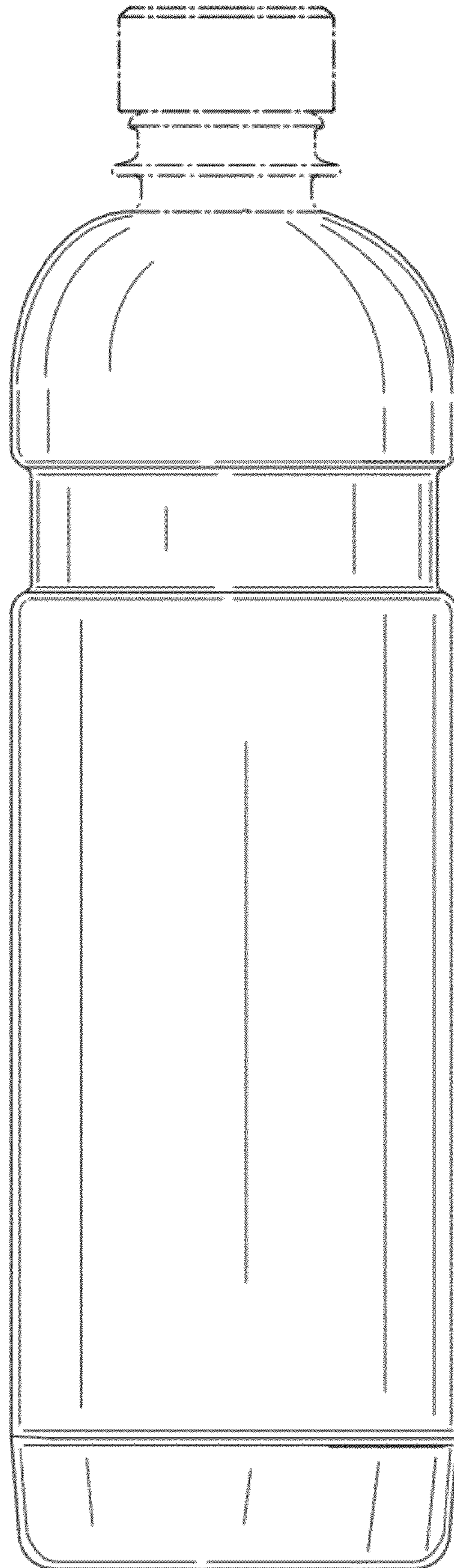


FIG. 5

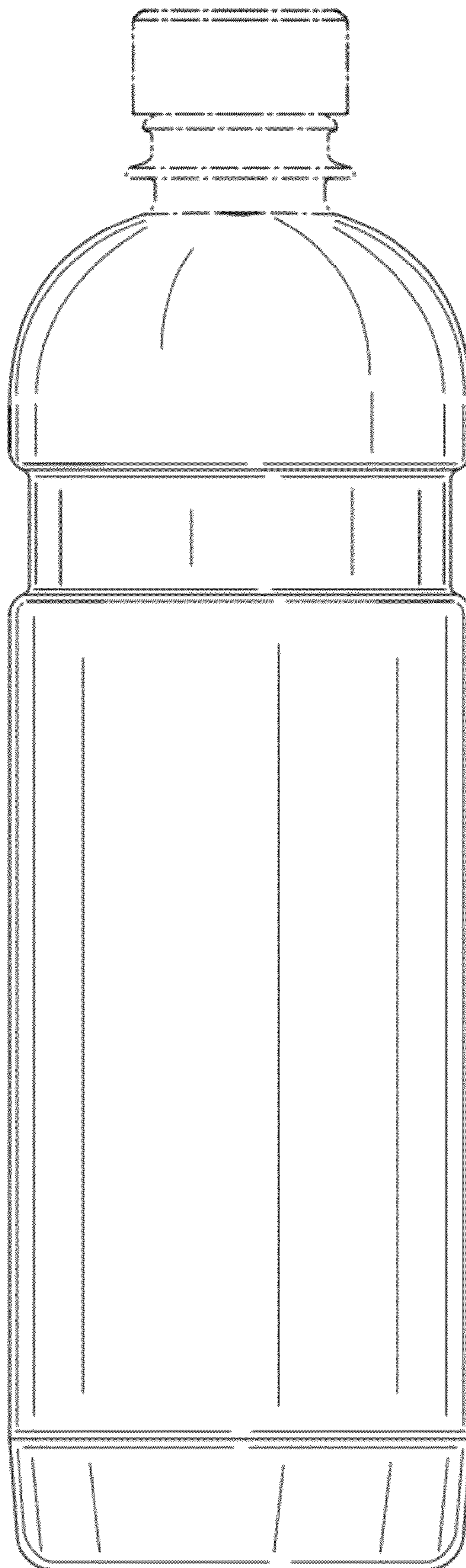


FIG. 6

