

US00D663620S

(12) **United States Design Patent**
Lepoitevin

(10) **Patent No.:** **US D663,620 S**
(45) **Date of Patent:** **** Jul. 17, 2012**

(54) **BOTTLE**

(75) Inventor: **Laurent Lepoitevin**, Octeville sur Mer (FR)

(73) Assignee: **Sidel Participations**, Octeville sur Mer (FR)

(**) Term: **14 Years**

(21) Appl. No.: **29/380,723**

(22) Filed: **Dec. 10, 2010**

(30) **Foreign Application Priority Data**

Aug. 17, 2010 (EM) 1 230 031

(51) **LOC (9) Cl.** **09-01**

(52) **U.S. Cl.** **D9/516; D9/538; D9/556; D9/557; D9/571; D9/520**

(58) **Field of Classification Search** D9/502, D9/516, 520, 690-693, 537-541, 549, 552, D9/556-558, 565, 569-571, 574-575; 215/382-384; 220/660, 669, 675
See application file for complete search history.

(56) **References Cited**

U.S. PATENT DOCUMENTS

D87,726 S *	9/1932	Miller	D9/552 X
D482,976 S *	12/2003	Melrose	D9/537
D510,027 S *	9/2005	Zboch et al.	D9/516
D552,477 S *	10/2007	Hermel	D9/538
D555,486 S *	11/2007	Bourne	D9/537
D559,112 S *	1/2008	Hyde et al.	D9/571 X
D561,596 S *	2/2008	Hyde et al.	D9/538
D574,718 S *	8/2008	Lepoitevin	D9/539 X
D575,158 S *	8/2008	Boon	D9/516
D575,161 S *	8/2008	Lepoitevin	D9/538
D580,772 S *	11/2008	Lepoitevin	D9/565 X
D581,285 S *	11/2008	Lepoitevin	D9/552 X

D600,126 S *	9/2009	Lepoitevin	D9/575 X
D601,902 S *	10/2009	Bourne	D9/557 X
D602,370 S *	10/2009	Bourne	D9/556 X
D603,711 S *	11/2009	Lepoitevin	D9/557 X
D605,947 S *	12/2009	Debuire	D9/538
D606,869 S *	12/2009	Hackl	D9/558 X
D611,828 S *	3/2010	Lepoitevin	D9/539
7,798,350 B2 *	9/2010	Hermel et al.	215/382
D630,105 S *	1/2011	Bourne	D9/557 X
D648,222 S *	11/2011	Snyder et al.	D9/538
D648,633 S *	11/2011	Boukobza	D9/538
2008/0093329 A1 *	4/2008	Mooney	215/379
2008/0223816 A1 *	9/2008	Darr et al.	215/382

* cited by examiner

Primary Examiner — Carol P Rademaker

(74) *Attorney, Agent, or Firm* — Marshall, Gerstein & Borun LLP; Richard M. LaBarge

(57) **CLAIM**

The ornamental design for a bottle, as shown and described.

DESCRIPTION

FIG. 1 is a top, front, left side perspective view of a bottle that has the design.

FIG. 2 is a bottom, front, left side perspective view of the bottle.

FIG. 3 is a left side elevational view thereof, the right side elevational view being identical except for the unclaimed threads;

FIG. 4 is a front elevational view of the bottle.

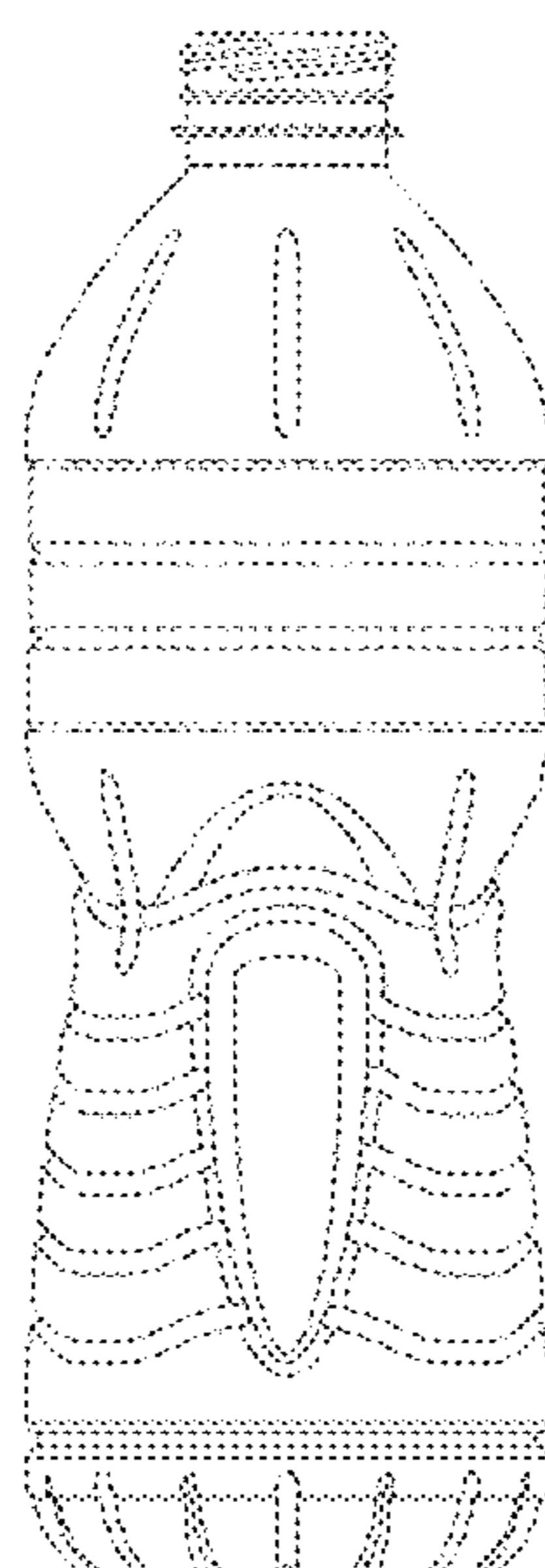
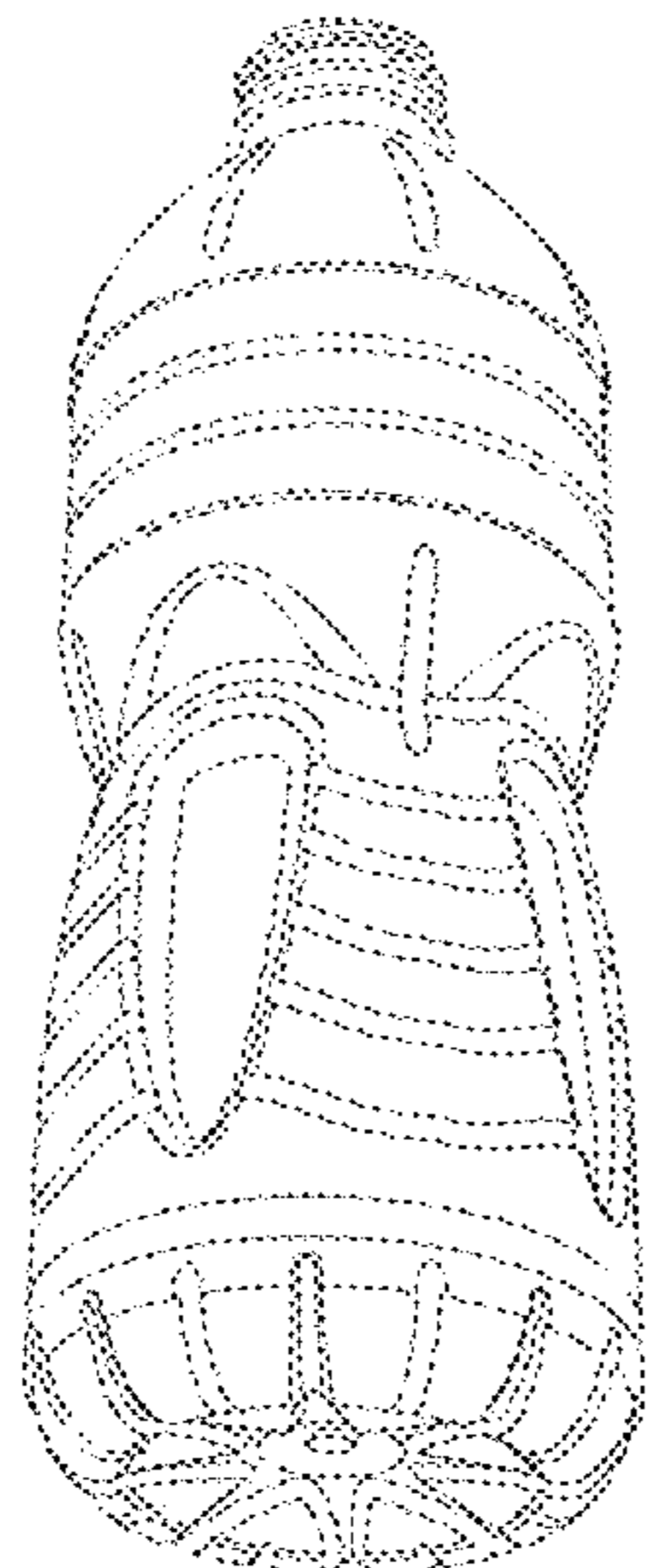
FIG. 5 is a rear elevational view of the bottle.

FIG. 6 is a top plan view of the bottle; and,

FIG. 7 is a bottom plan view of the bottle.

The dash-dash-dash-type broken lines shown in the drawings views are included for the purpose of illustrating environmental structure and form no part of the claimed design. The dot-dash-dot-dash-type broken lines shown in the drawing views define the boundaries of the claimed design.

1 Claim, 7 Drawing Sheets



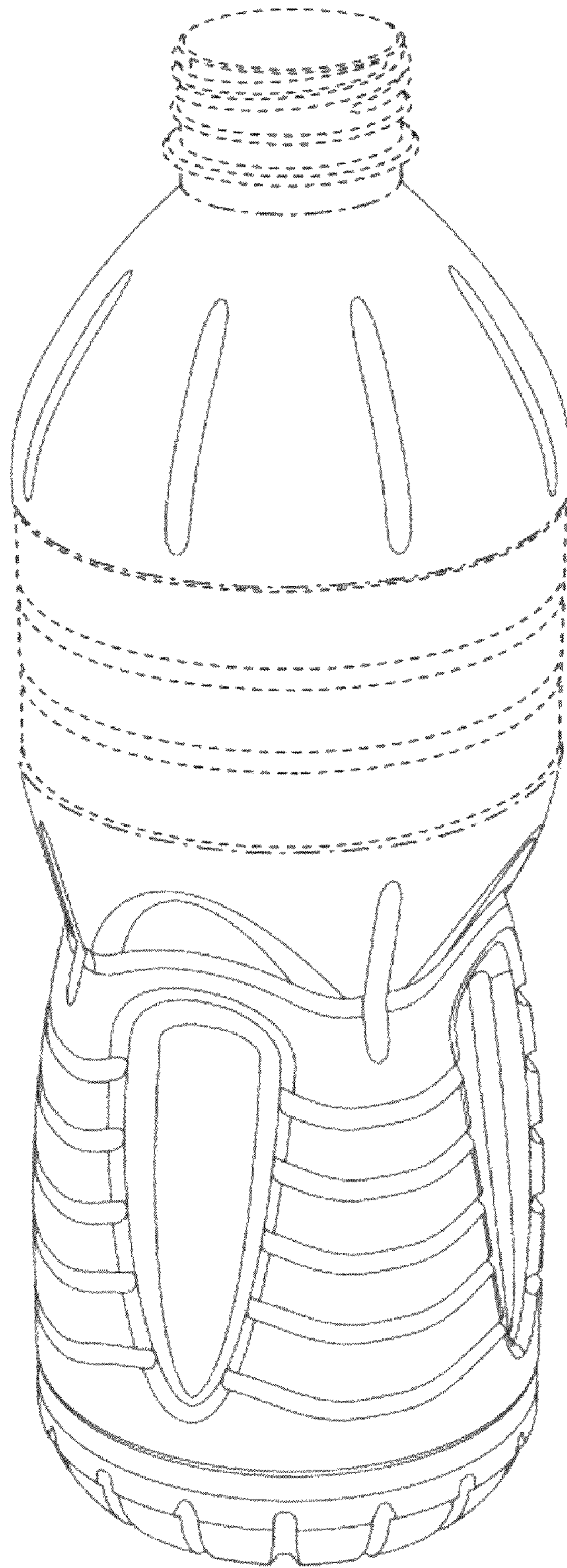


Figure 1

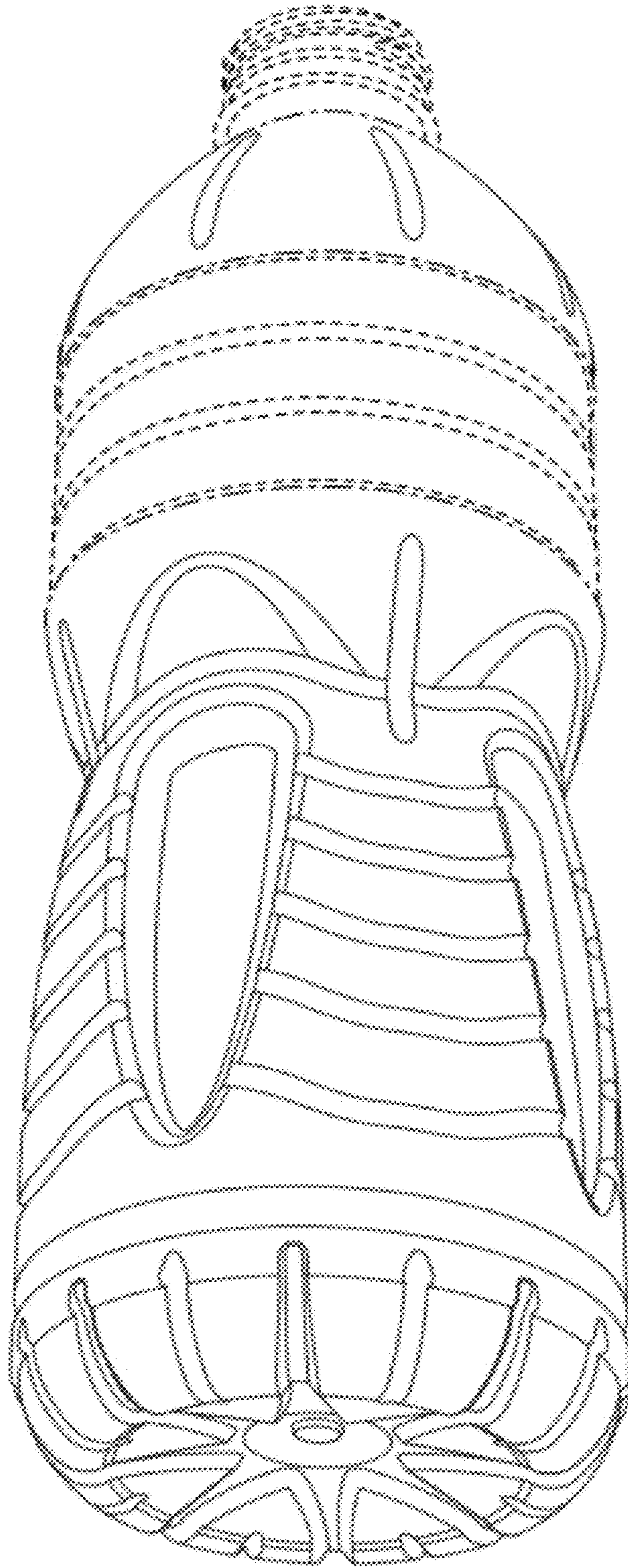


Figure 2

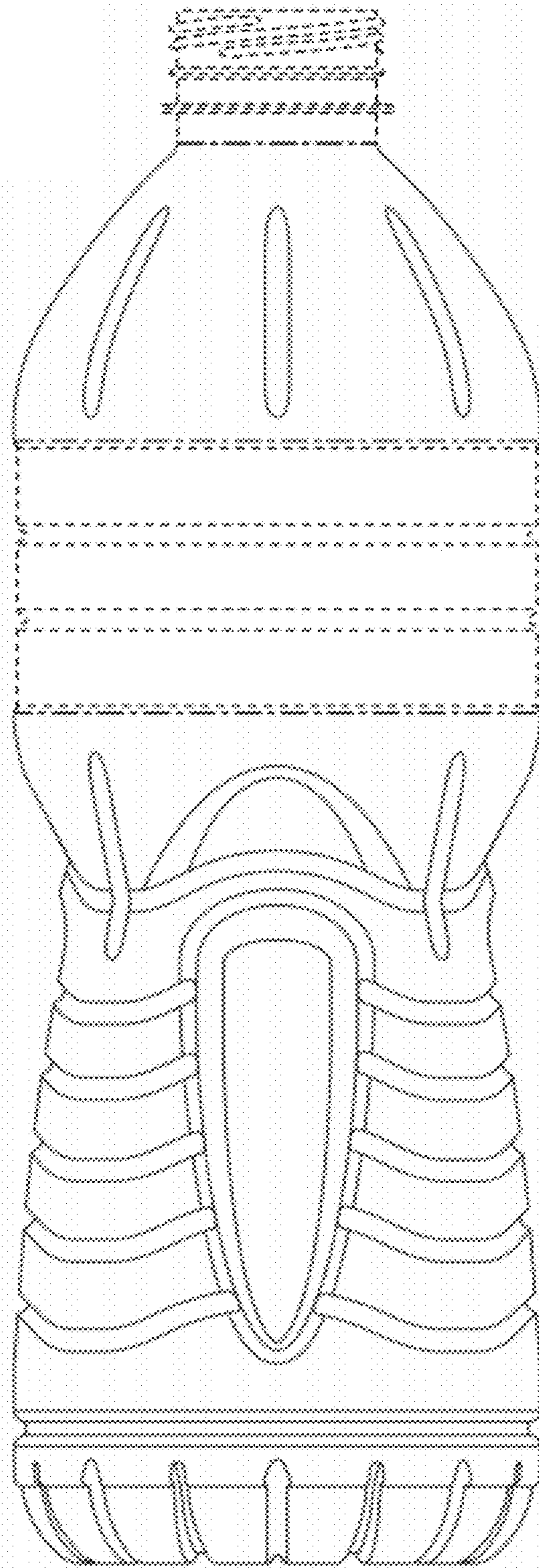


Figure 3

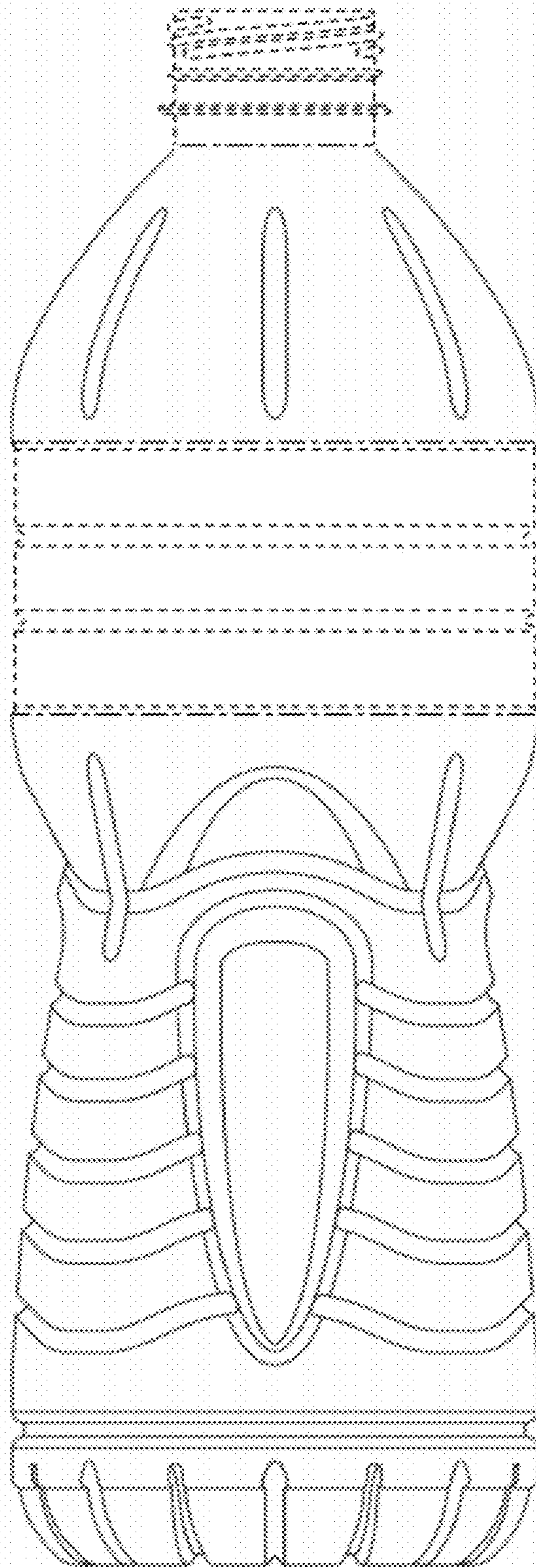


Figure 4

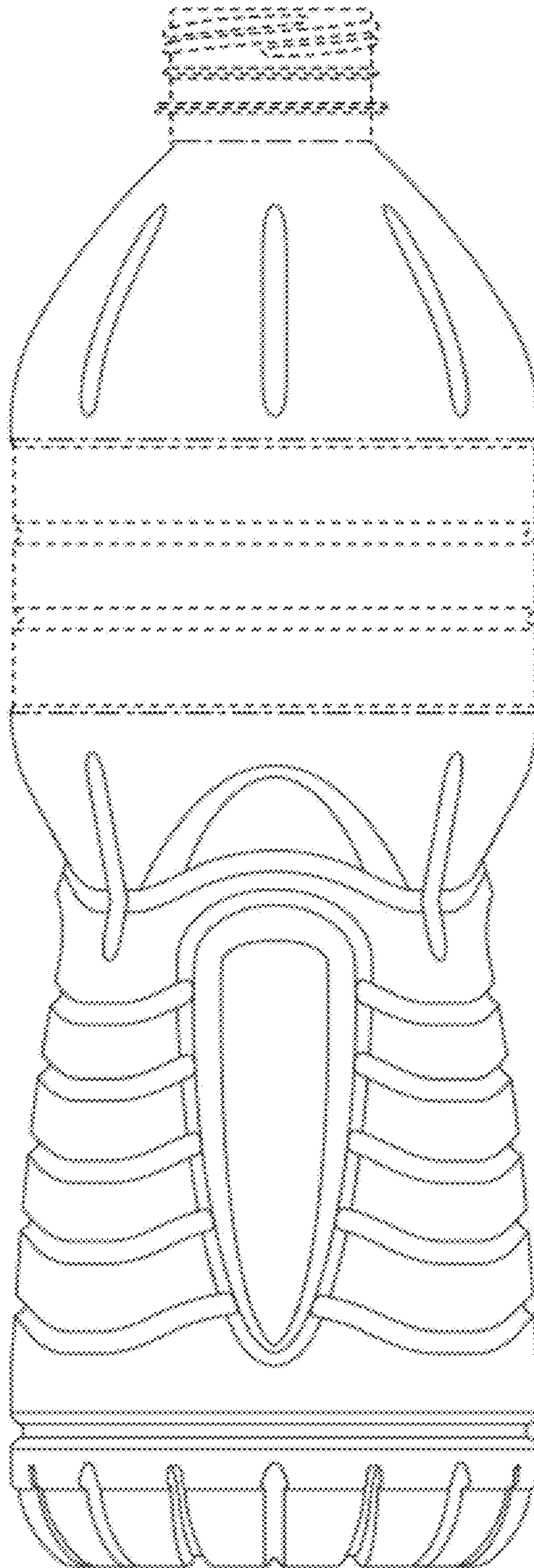


Figure 5

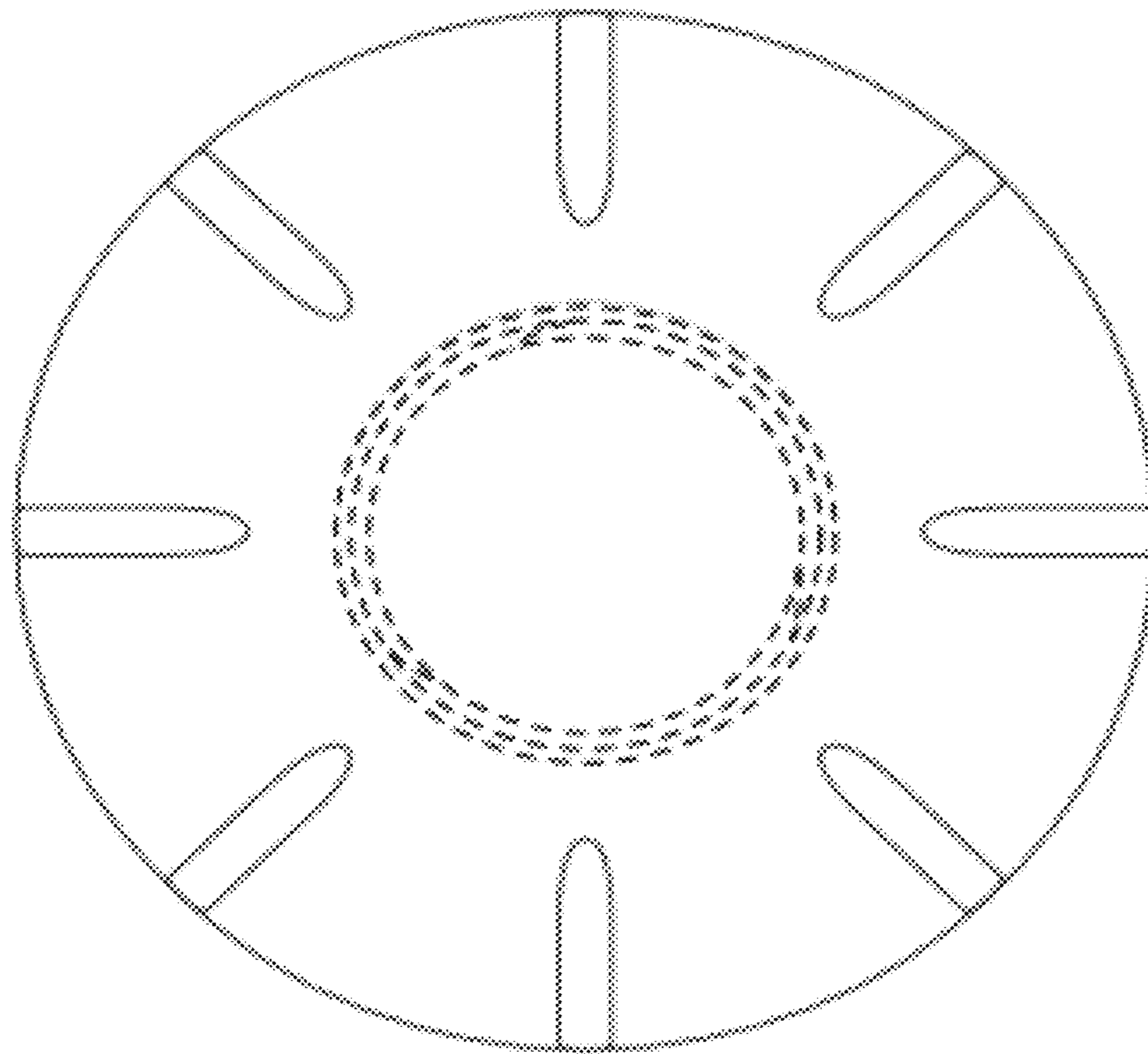


Figure 6

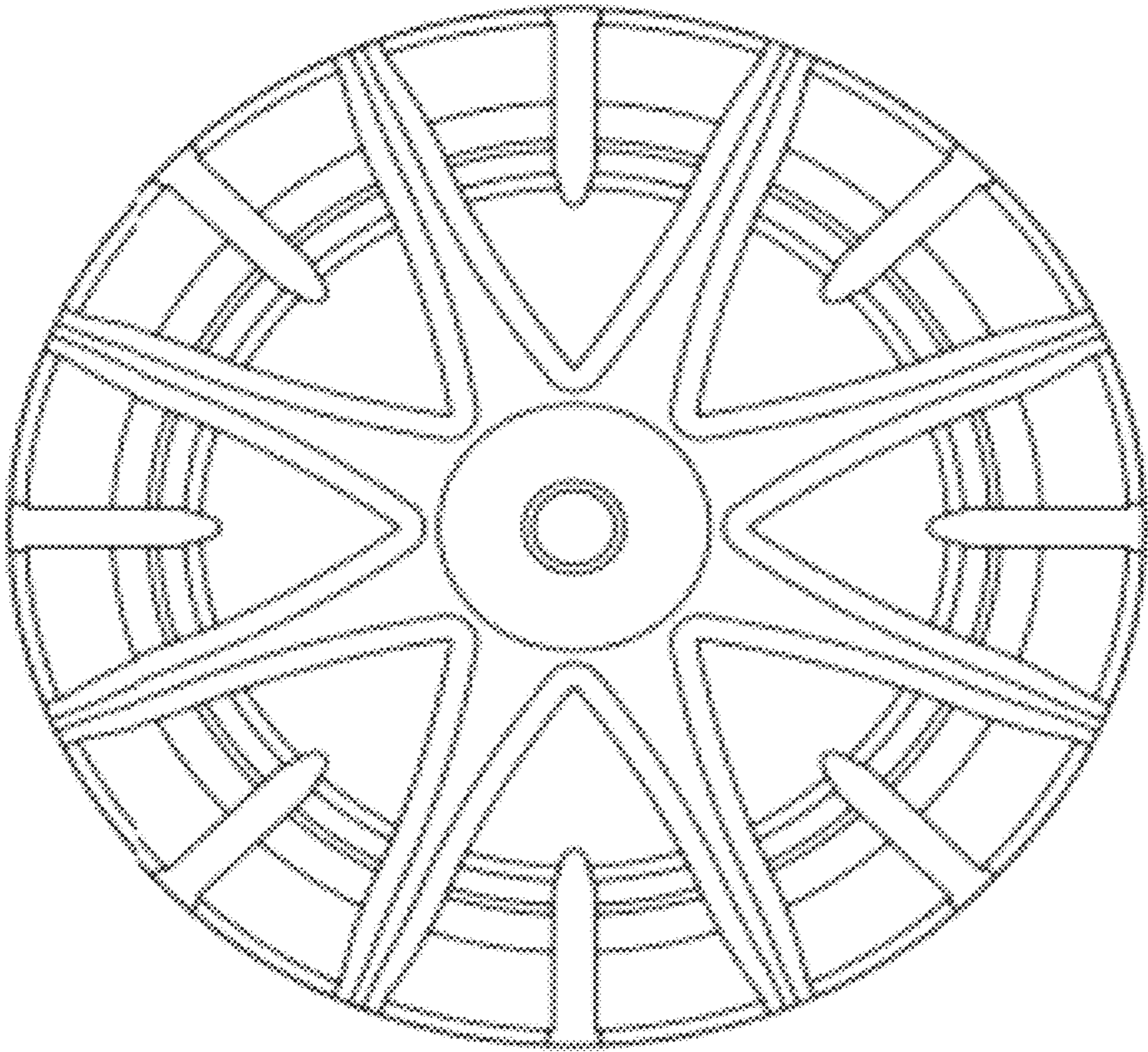


Figure 7