



US00D663619S

(12) **United States Design Patent**
Pillet

(10) **Patent No.:** **US D663,619 S**

(45) **Date of Patent:** **** Jul. 17, 2012**

(54) **PERFUME BOTTLE**

(75) Inventor: **Christophe Pillet**, Paris (FR)

(73) Assignee: **Lacoste Alligator S.A.**, Geneva (CH)

(**) Term: **14 Years**

(21) Appl. No.: **29/395,190**

(22) Filed: **Dec. 14, 2011**

(51) **LOC (9) Cl.** **09-01**

(52) **U.S. Cl.** **D9/503; D9/519; D9/452**

(58) **Field of Classification Search** D9/500,
D9/502-505, 516, 519, 544-546, 549, 558,
D9/575, 559, 682, 686-694, 554-555, 451,
D9/681; D7/300, 598; D19/93; D28/91.1;
215/379, 381-382; 220/660, 662, 669-673,
220/675

See application file for complete search history.

(56) **References Cited**

U.S. PATENT DOCUMENTS

D69,766 S *	3/1926	Miller	D9/505
D181,301 S *	10/1957	Loewy	D7/300
D214,307 S *	6/1969	Vignelli	D9/503
D220,253 S *	3/1971	Fernandez	D9/519
D368,860 S *	4/1996	Mansau	D9/545
D462,905 S *	9/2002	Siegel et al.	D9/451
D464,571 S *	10/2002	Hill et al.	D9/519
D496,207 S *	9/2004	Wang	D7/300.1
D532,696 S *	11/2006	Boudard	D9/544
D548,091 S *	8/2007	Dalton	D9/519

D565,413 S *	4/2008	Honkawa et al.	D9/519
D596,489 S *	7/2009	Weiss	D9/519
D643,735 S *	8/2011	Sherwood	D9/549
D648,217 S *	11/2011	Fahey et al.	D9/500

* cited by examiner

Primary Examiner — Dana L Meyrow

(74) *Attorney, Agent, or Firm* — Fross Zelnick Lehrman & Zissu, P.C.; Charles T. J. Weigell, Esq.

(57) **CLAIM**

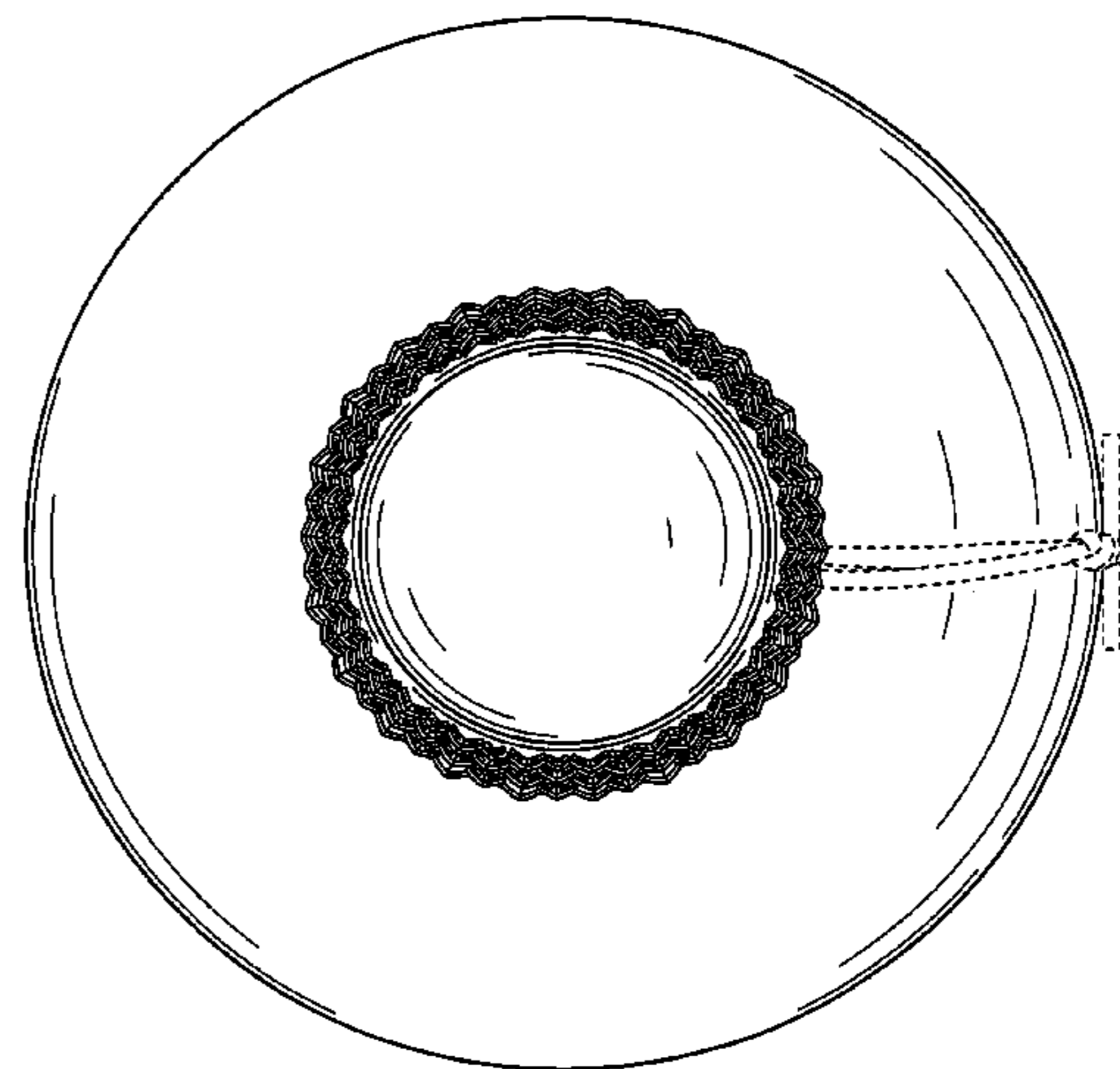
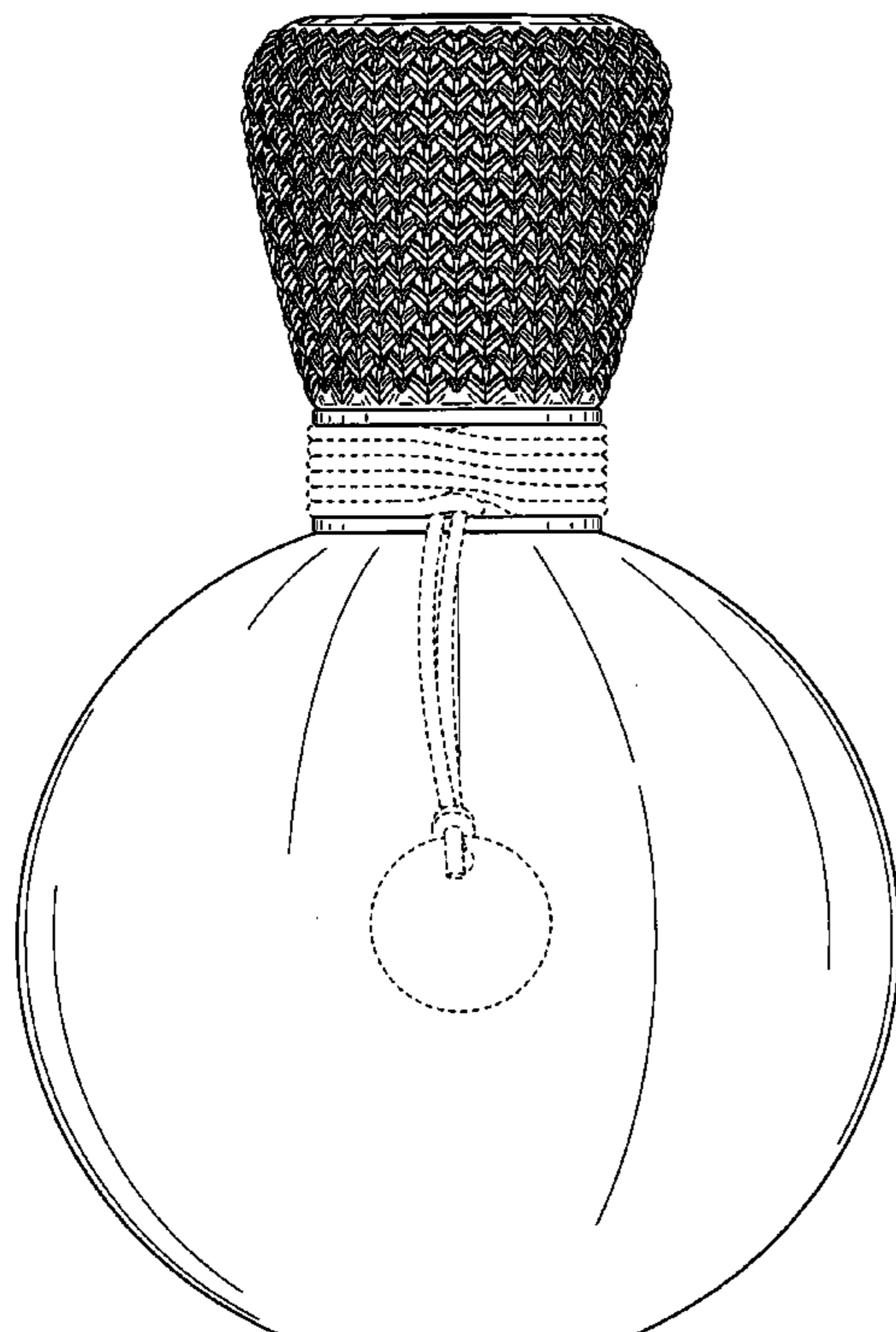
The ornamental design for a perfume bottle, as shown and described.

DESCRIPTION

FIG. 1 is a front perspective view of a perfume bottle showing my new design;
FIG. 2 is a front view of the perfume bottle shown in FIG. 1;
FIG. 3 is a rear view of the perfume bottle shown in FIG. 1;
FIG. 4 is a right side view of the perfume bottle shown in FIG. 1;
FIG. 5 is a left side view of the perfume bottle shown in FIG. 1;
FIG. 6 is a top view of the perfume bottle shown in FIG. 1; and,
FIG. 7 is a bottom view of the perfume bottle shown in FIG. 1.

The broken lines in the drawings showing the strings and circular tag illustrate the portions of the design that form no part of the claim.

1 Claim, 7 Drawing Sheets



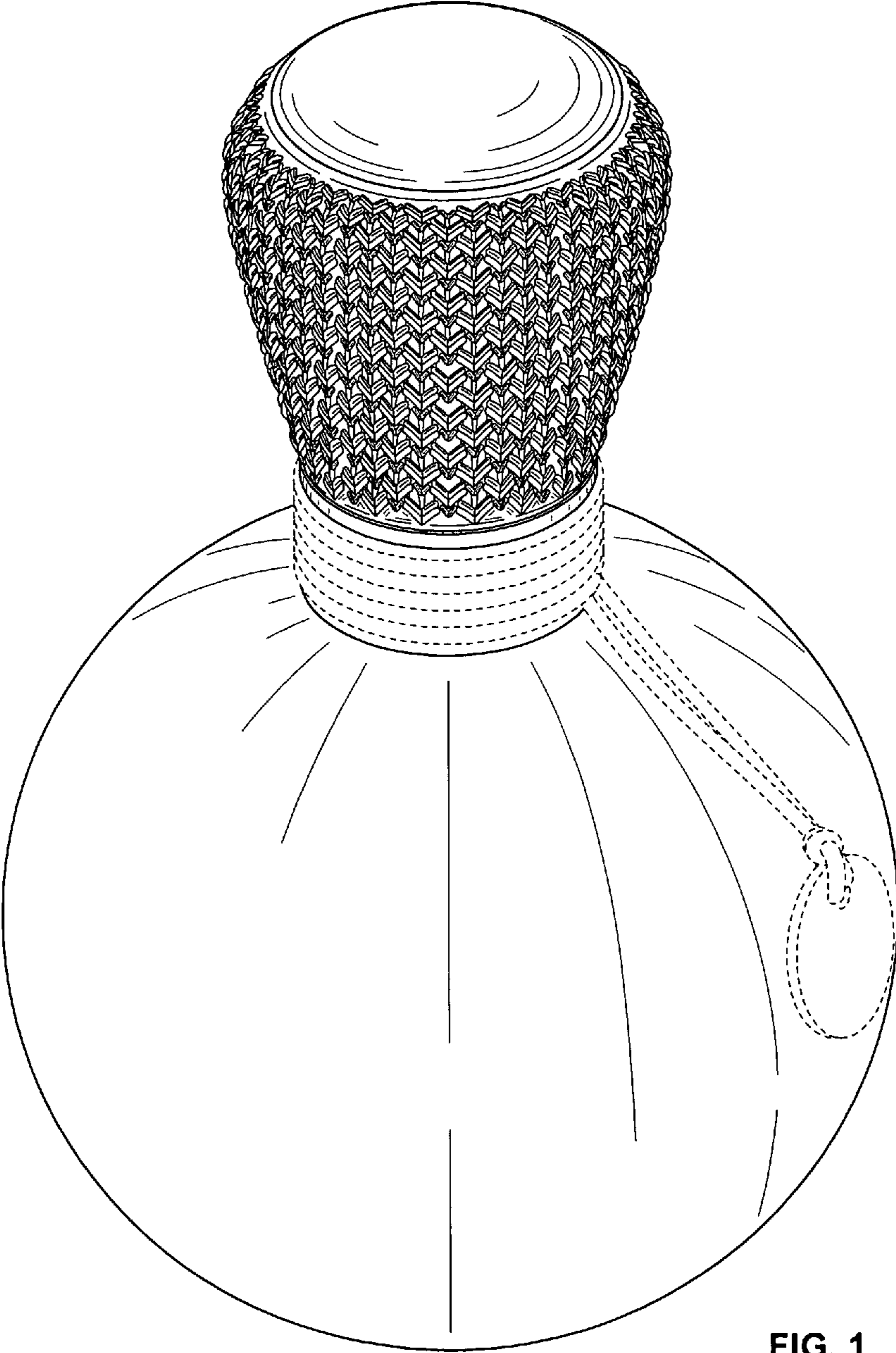


FIG. 1

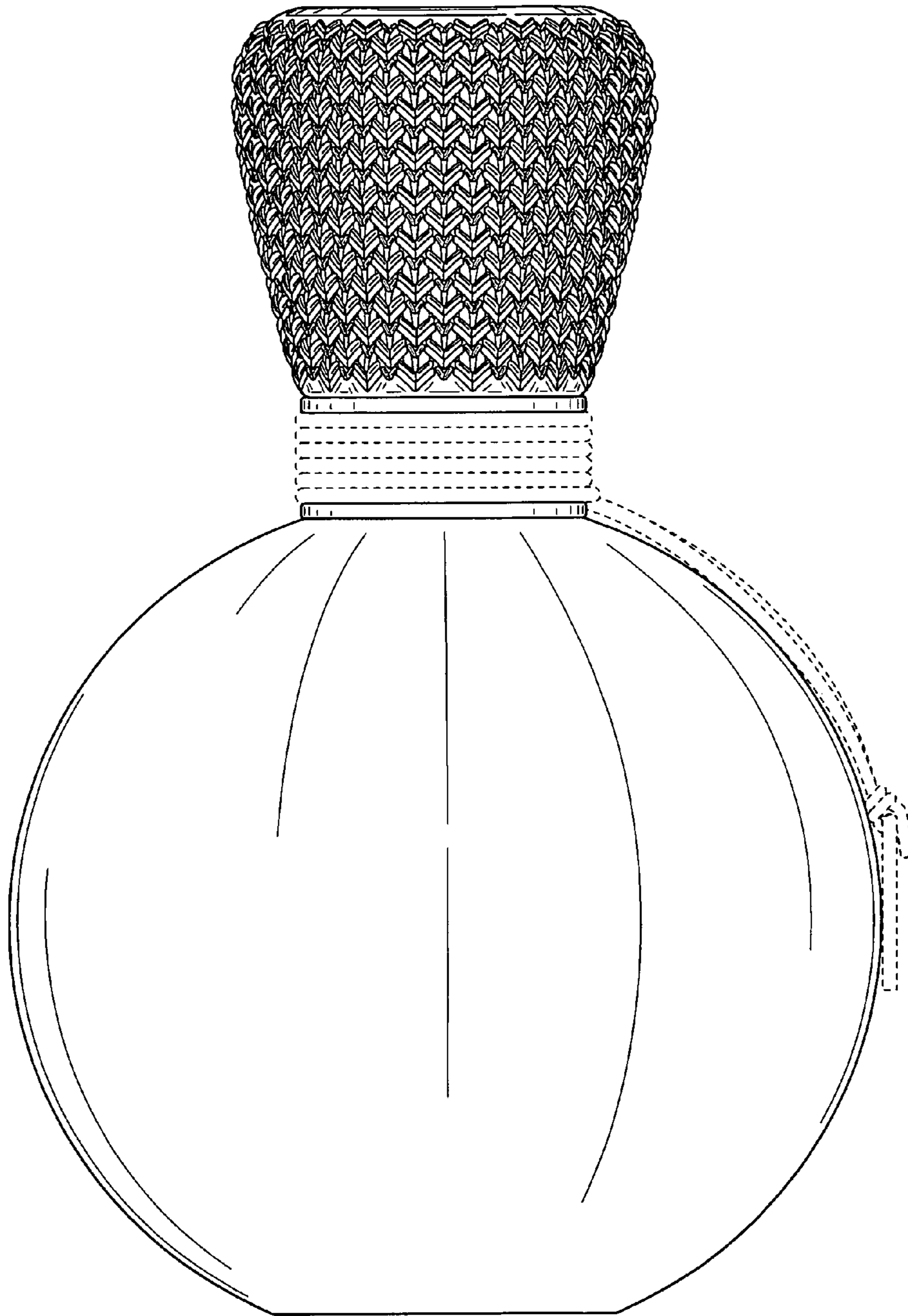


FIG. 2

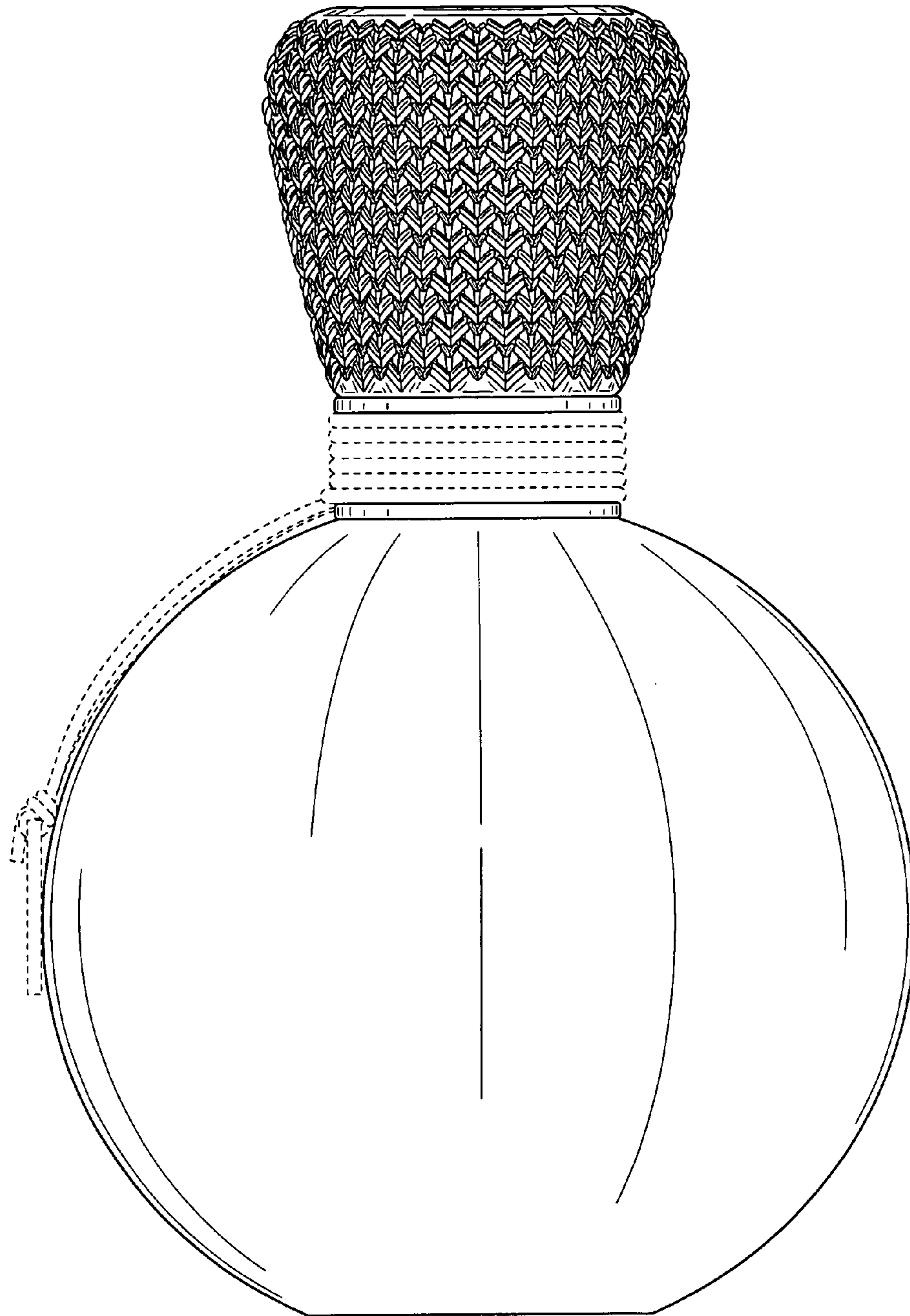


FIG. 3

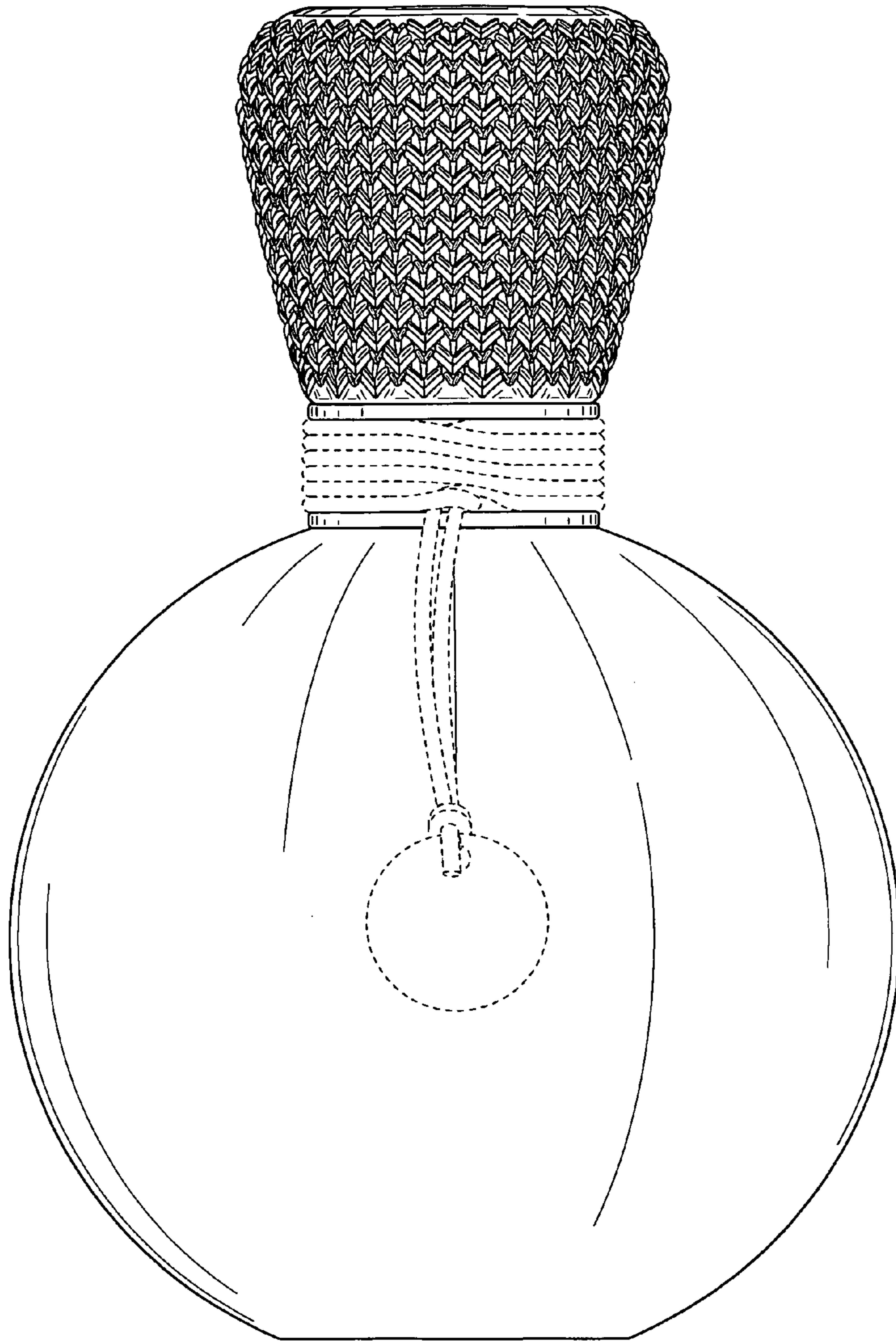


FIG. 4

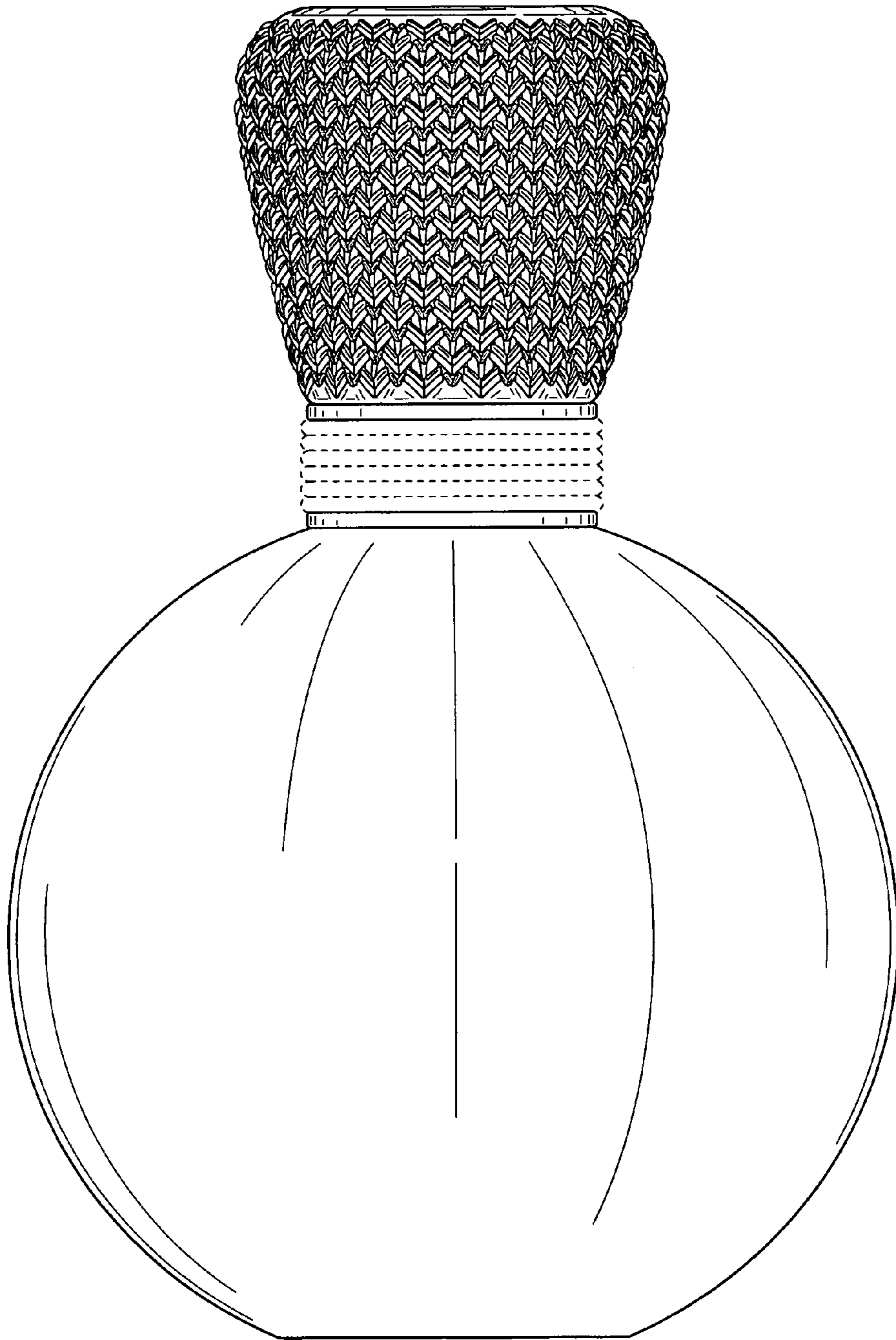


FIG. 5

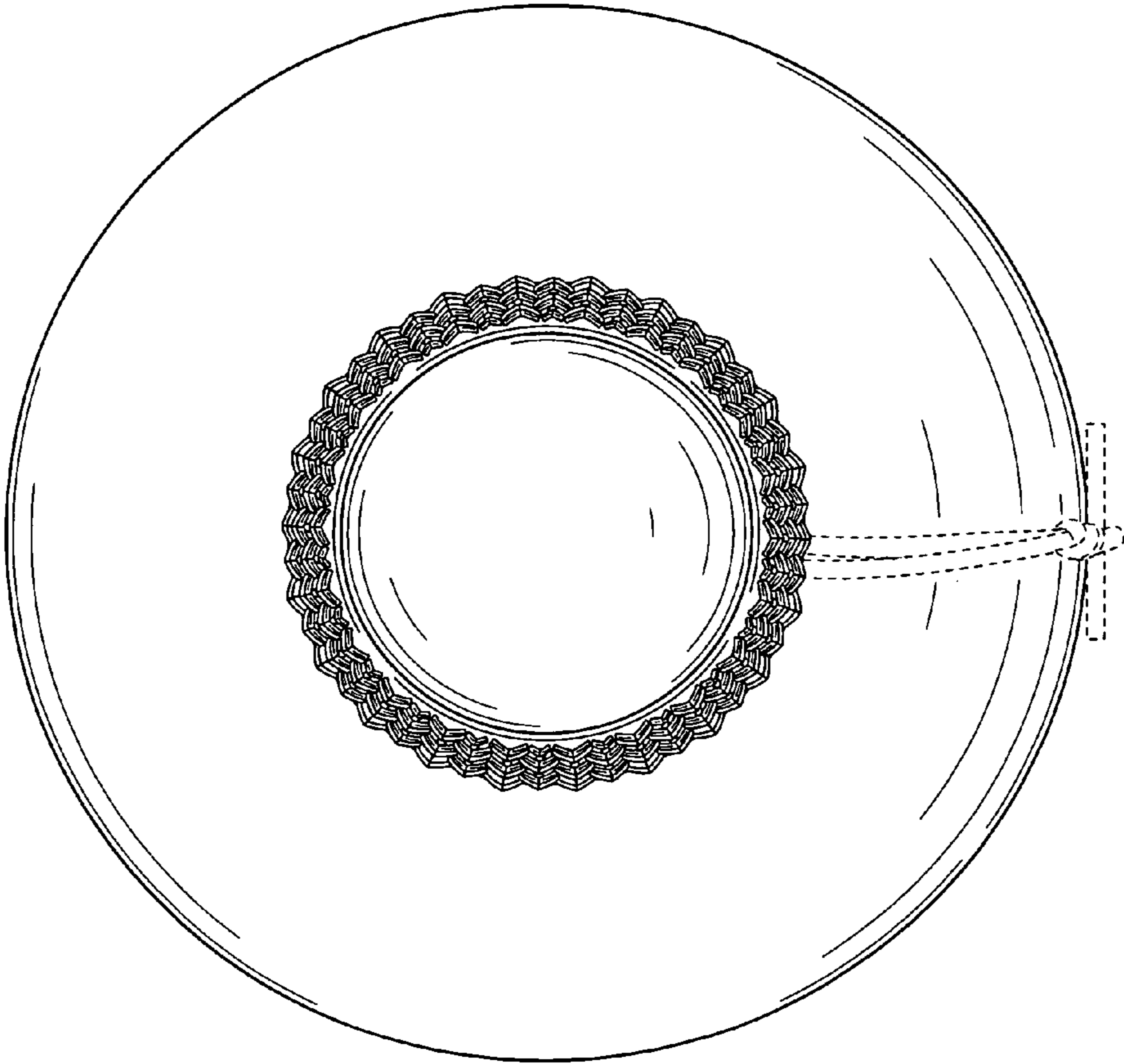


FIG. 6

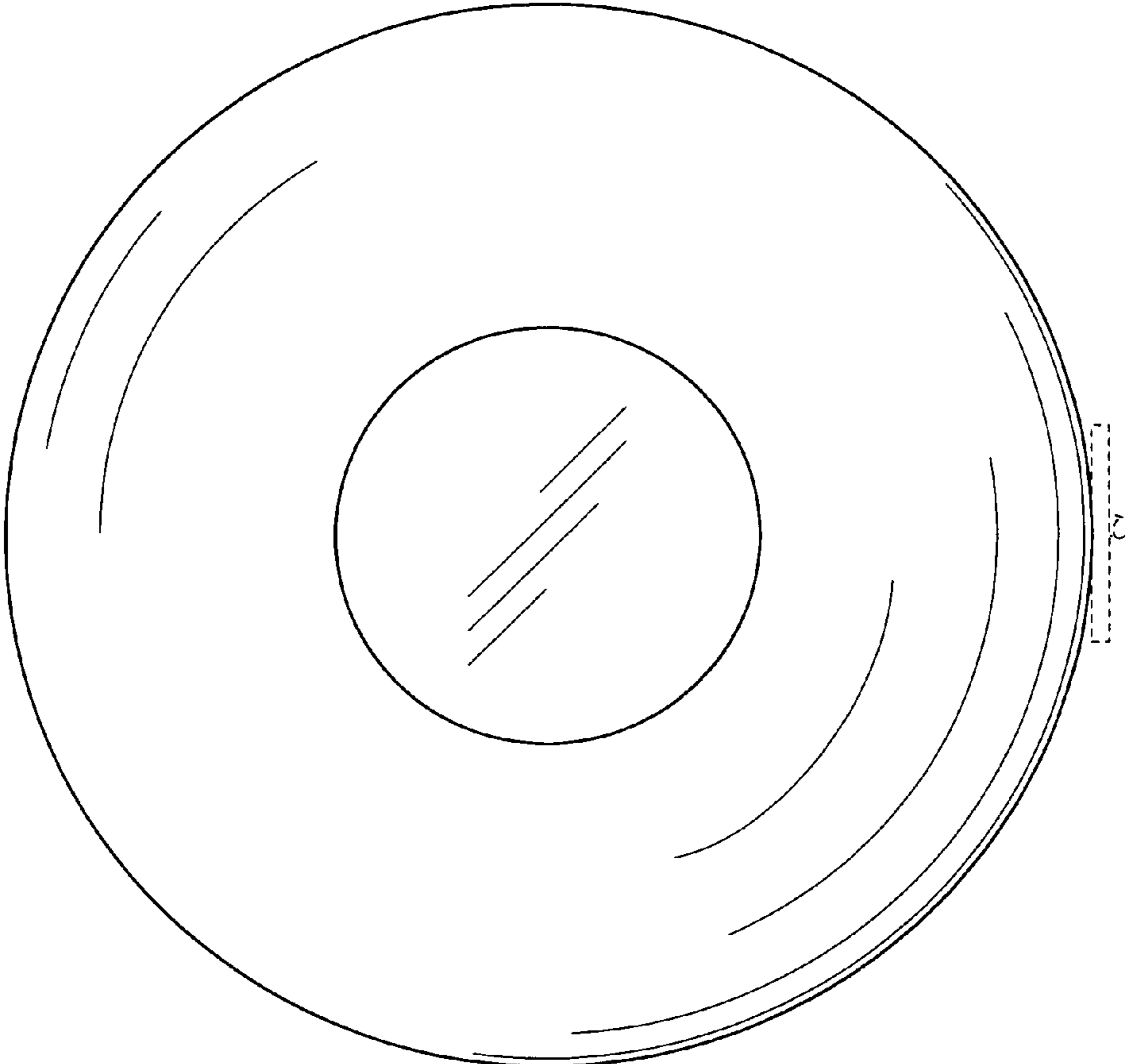


FIG. 7

UNITED STATES PATENT AND TRADEMARK OFFICE
CERTIFICATE OF CORRECTION

PATENT NO. : D663,619 S
APPLICATION NO. : 29/395190
DATED : July 17, 2012
INVENTOR(S) : Christophe Pillet

Page 1 of 1

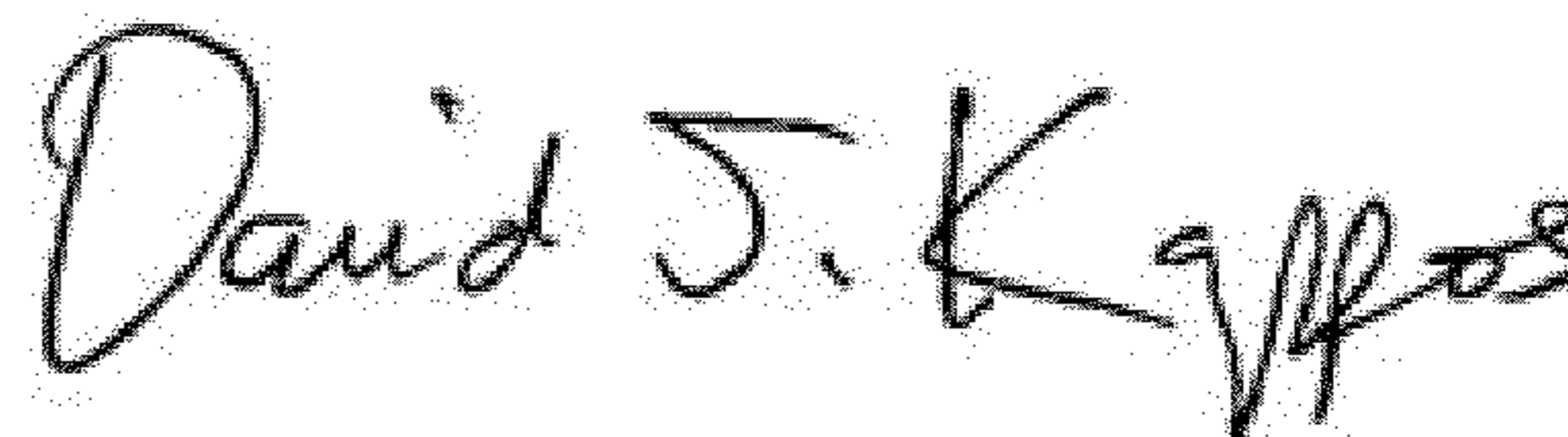
It is certified that error appears in the above-identified patent and that said Letters Patent is hereby corrected as shown below:

On the title page, insert item [30]

--(30) Foreign Application Priority Data

Oct 20, 2011 (EM)001935289-0001--

Signed and Sealed this
Second Day of October, 2012



David J. Kappos
Director of the United States Patent and Trademark Office