



US00D663611S

(12) **United States Design Patent**
Nunez Farfan

(10) **Patent No.:** **US D663,611 S**
(45) **Date of Patent:** **** Jul. 17, 2012**

(54) **BRACKET FOR OVERHEAD GATE TRACK
ROLLER**

(76) Inventor: **Jorge Nunez Farfan**, San Fernando, CA
(US)

(**) Term: **14 Years**

(21) Appl. No.: **29/404,982**

(22) Filed: **Oct. 27, 2011**

(51) **LOC (9) Cl.** **08-05**

(52) **U.S. Cl.** **D8/380**

(58) **Field of Classification Search** D8/363,
D8/373, 380, 349, 354; D6/523; 248/637,
248/640, 674, 105, 200, 200.1, 205.1, 207,
248/262, 266-267

See application file for complete search history.

(56) **References Cited**

U.S. PATENT DOCUMENTS

D259,310 S * 5/1981 Crowe D6/523
D617,592 S * 6/2010 Urquiola D6/518
D633,780 S * 3/2011 Barrese D8/363

* cited by examiner

Primary Examiner — Holly Baynham

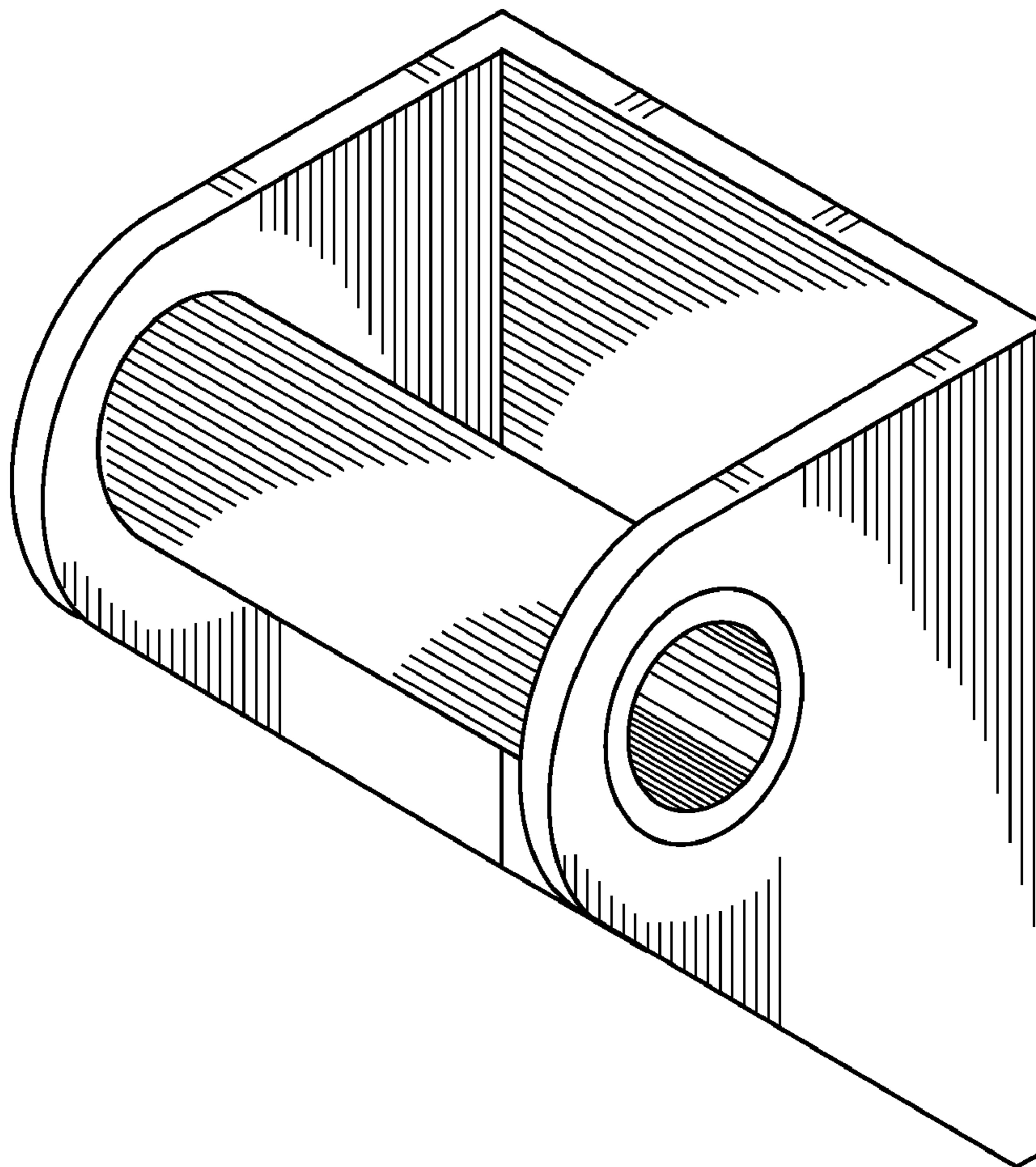
(57) **CLAIM**

The ornamental design of a bracket for overhead gate track roller, as shown and described.

DESCRIPTION

FIG. 1 is a perspective view of the bracket for overhead gate track roller in accordance with this invention; FIG. 2 is a front elevation view of the bracket for overhead gate track roller of the present invention; FIG. 3 is a side elevation view of bracket for overhead gate track roller of the present invention; the opposite side being a mirror image thereof; and, FIG. 4 is a top plan view thereof. The bottom and rear views are unornamented.

1 Claim, 2 Drawing Sheets



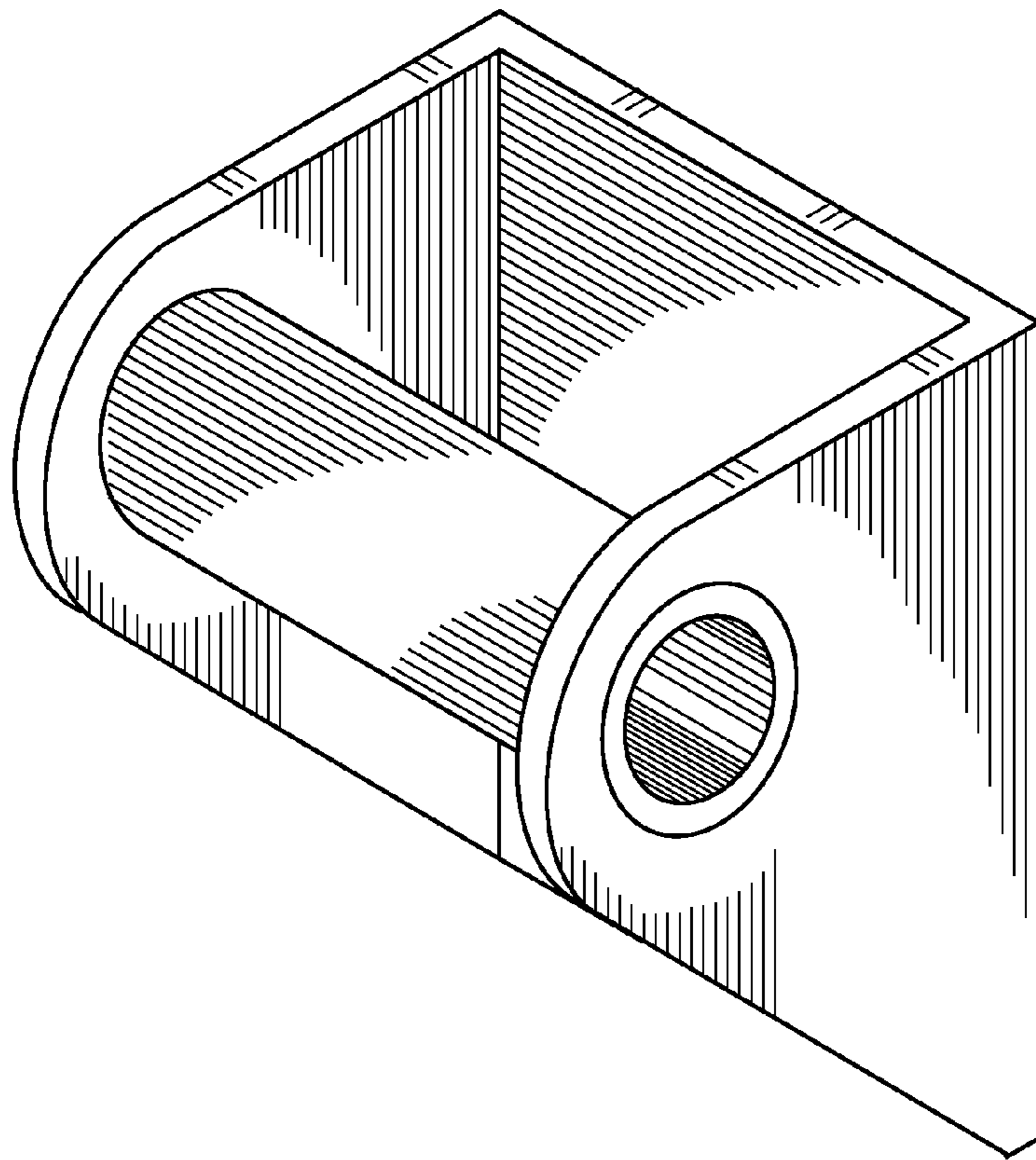


Fig. 1

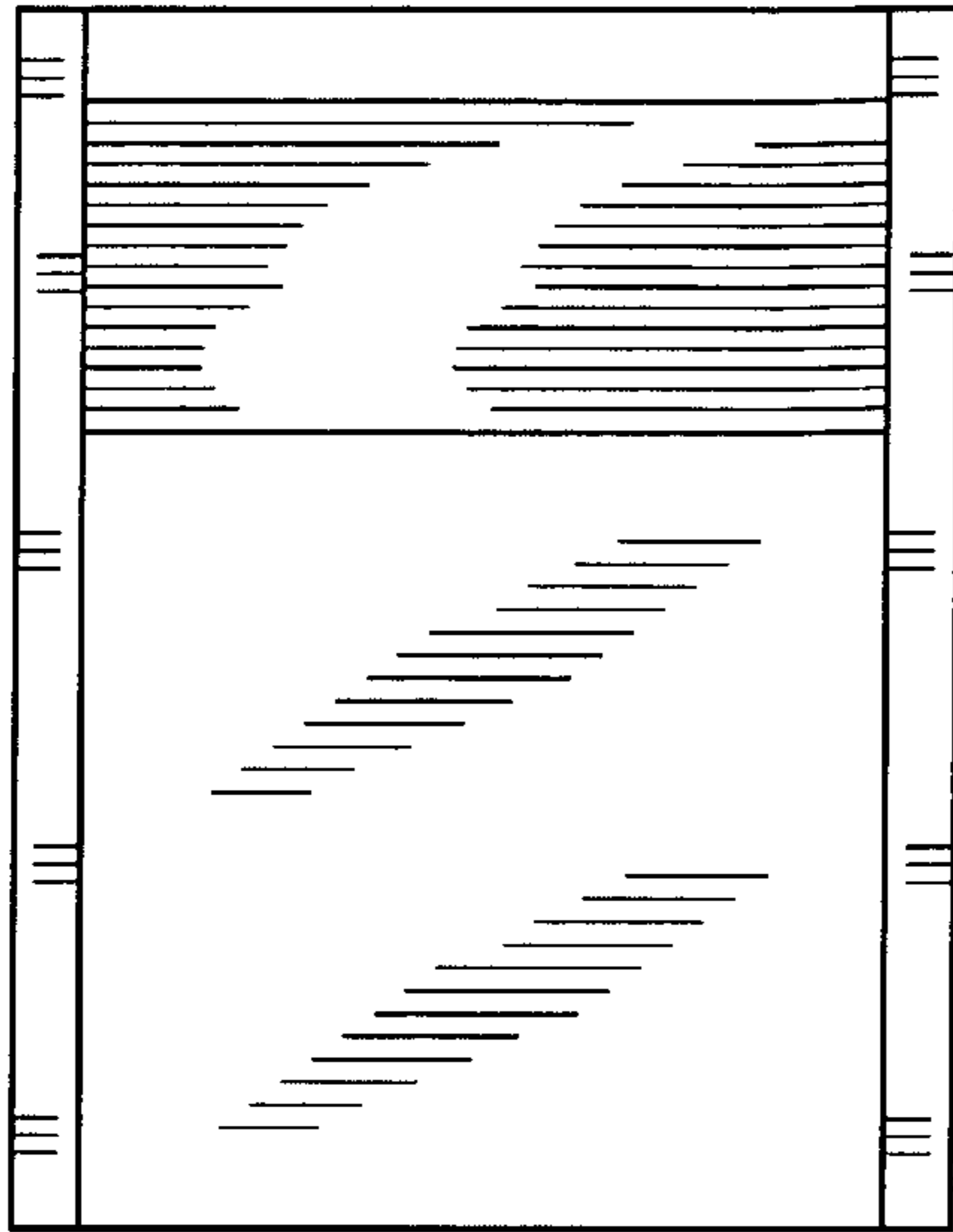


Fig. 2

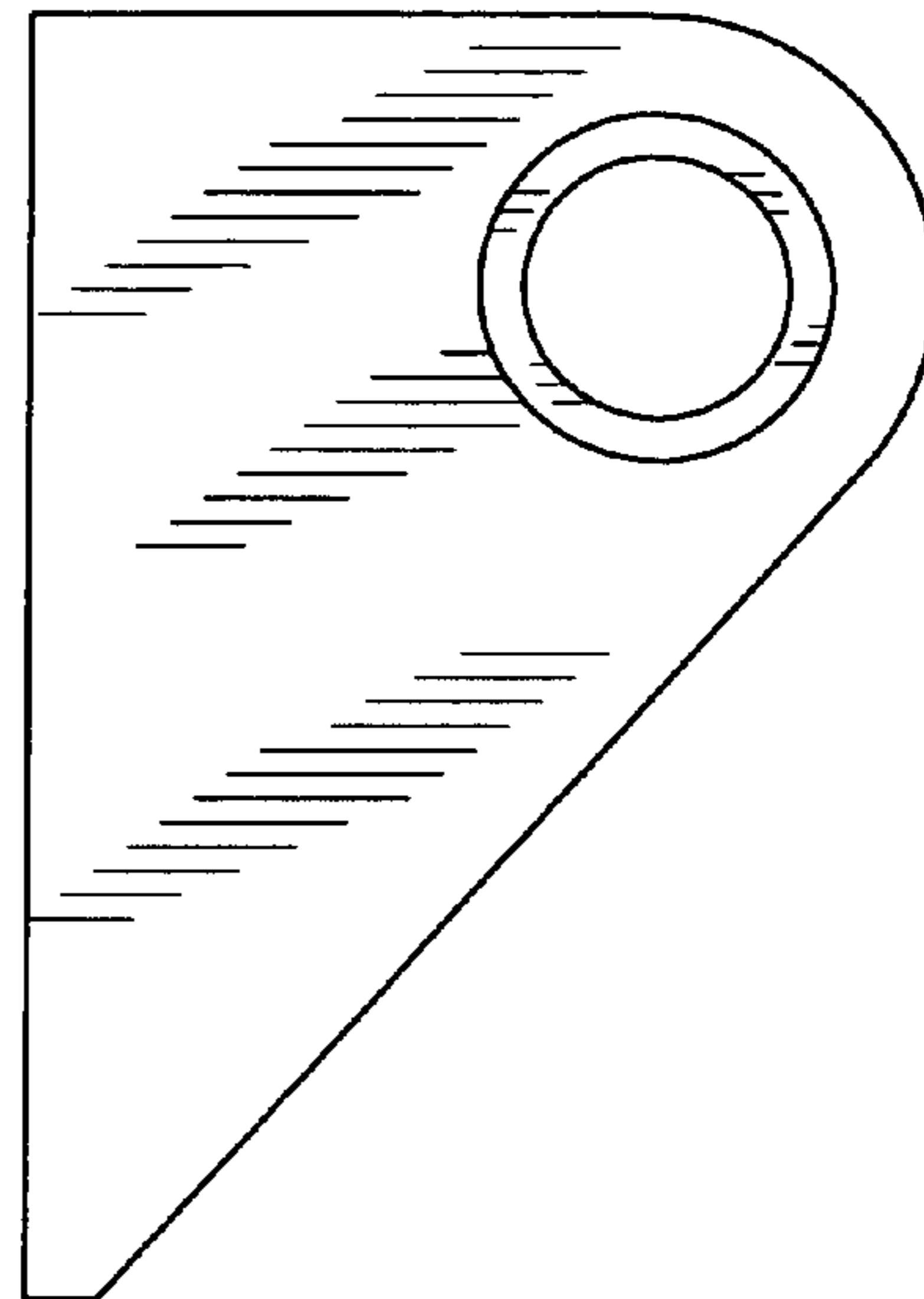


Fig. 3

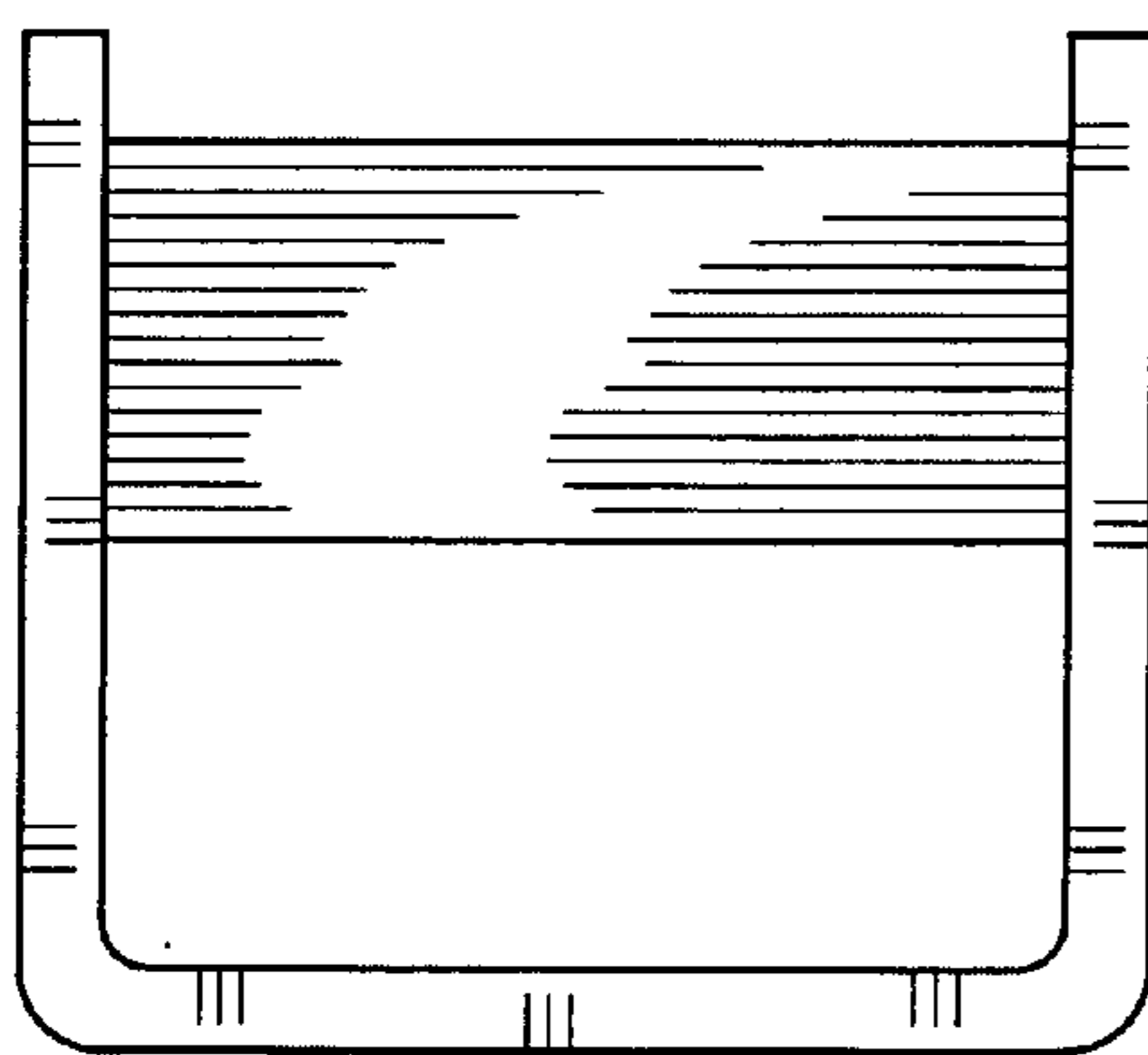


Fig. 4