

US00D663609S

(12) **United States Design Patent**
Ogden, Jr.

(10) **Patent No.:** **US D663,609 S**
(45) **Date of Patent:** **** Jul. 17, 2012**

(54) **VEHICLE SECURED TIE ANCHOR**

(76) Inventor: **William J. Ogden, Jr.**, Lake Worth, FL
(US)

(**) Term: **14 Years**

(21) Appl. No.: **29/384,999**

(22) Filed: **Feb. 7, 2011**

(51) **LOC (9) Cl.** **08-05**

(52) **U.S. Cl.** **D8/354**

(58) **Field of Classification Search** D8/349,
D8/354, 355, 356, 363, 366, 373, 380, 394;
D12/223; D25/134, 164, 199, 102; 52/514,
52/220.8, 712, 698, 220.1, 370, 634, 696,
52/714; 248/200, 300, 57, 65, 499; 224/314,
224/489, 534, 568; 410/101, 102, 104, 106,
410/110, 116; 24/115 K, 129 R, 129 B, 265 CD
See application file for complete search history.

(56) **References Cited**

U.S. PATENT DOCUMENTS

2,164,137	A *	6/1939	London	52/330
2,356,309	A *	8/1944	Garbe	52/481.2
4,101,591	A *	7/1978	Diamond	570/128
D355,583	S *	2/1995	Beauchane	D8/356
5,517,795	A *	5/1996	Doke	52/36.4
5,542,367	A *	8/1996	DuBois et al.	114/218
5,577,695	A *	11/1996	Ruckwardt	248/200
5,676,508	A *	10/1997	Weicht	410/101
5,807,045	A *	9/1998	Profit	410/116
5,836,060	A *	11/1998	Profit	24/698.2
6,000,890	A *	12/1999	Macias	410/116
6,030,160	A *	2/2000	Moore	410/118
6,113,328	A *	9/2000	Claucherty	410/106
6,129,490	A *	10/2000	Erskine et al.	410/110
6,170,130	B1 *	1/2001	Hamilton et al.	24/115 R
6,256,844	B1 *	7/2001	Wheatley	24/265 CD
6,393,672	B1 *	5/2002	Anscher	24/265 R
6,547,478	B1 *	4/2003	Lin	403/339
6,742,973	B1 *	6/2004	Hendrix et al.	410/106
6,769,375	B1 *	8/2004	Caporella	114/218
6,769,655	B2 *	8/2004	Beese	248/188.91
7,025,012	B1 *	4/2006	Pecharich	114/218

7,040,849	B2 *	5/2006	Cunningham et al.	410/104
D522,849	S *	6/2006	Dick et al.	D8/395
7,070,374	B2 *	7/2006	Womack et al.	410/104
7,175,142	B2 *	2/2007	Brown	248/213.3
D564,869	S *	3/2008	Peterson	D8/382
7,421,828	B2 *	9/2008	Reynolds	52/745.2
7,549,828	B2 *	6/2009	Smith	410/106
7,874,774	B2 *	1/2011	Peterson	410/104
7,992,750	B2 *	8/2011	Walker	224/403
D650,265	S *	12/2011	Wong	D8/383
2002/0178676	A1 *	12/2002	Yost et al.	52/426
2005/0249569	A1 *	11/2005	Smith	410/102
2007/0140806	A1 *	6/2007	Mohan	410/101
2007/0183860	A1 *	8/2007	Smith	410/110
2007/0295872	A1 *	12/2007	Schulze	248/215
2008/0085167	A1 *	4/2008	Law	410/101
2009/0080995	A1 *	3/2009	Peterson	410/104
2010/0064615	A1 *	3/2010	Boese et al.	52/426
2010/0068000	A1 *	3/2010	Russell et al.	410/106
2010/0143064	A1 *	6/2010	Gomez	410/110
2010/0202850	A1 *	8/2010	Parsons	410/104

(Continued)

Primary Examiner — Mark Goodwin

(74) Attorney, Agent, or Firm — Daniel S. Polley, P.A.

(57) **CLAIM**

The ornamental design for a vehicle secured tie anchor, as shown and described.

DESCRIPTION

This design application claims priority to U.S. application Ser. No. 13/013,768, filed Jan. 25, 2011 and U.S. application Ser. No. 12/554,417, filed Sep. 4, 2009, both applications incorporated by reference in their entirety.

FIG. 1 is a front top perspective view of a vehicle secured tie anchor showing my new design;

FIG. 2 is a front bottom perspective view thereof;

FIG. 3 is a front view thereof;

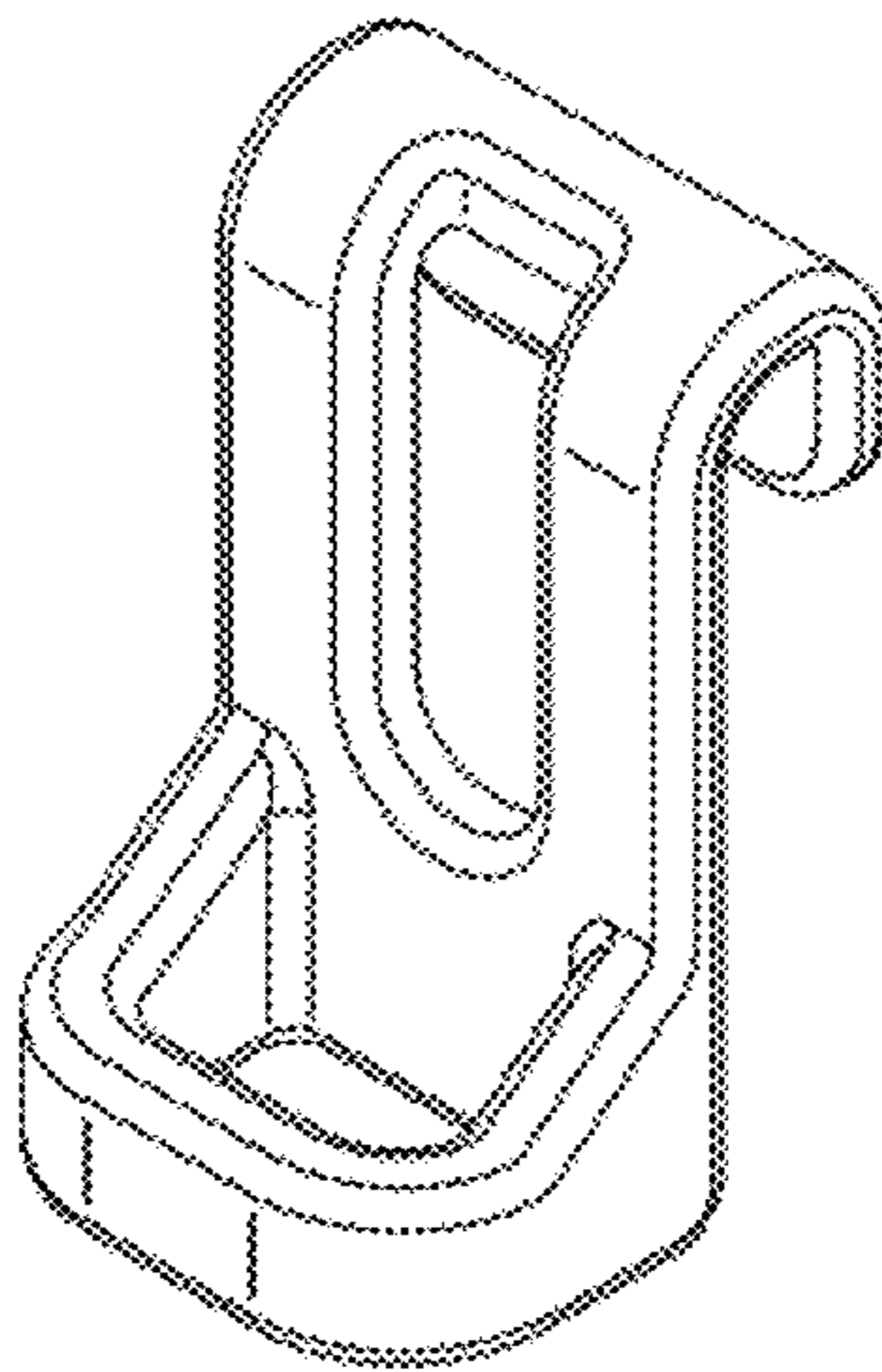
FIG. 4 is a back view thereof;

FIG. 5 is a bottom view thereof;

FIG. 6 is a top view thereof; and,

FIG. 7 is a left side view thereof, the right side being a mirror image thereof.

1 Claim, 3 Drawing Sheets



US D663,609 S

Page 2

U.S. PATENT DOCUMENTS			
2010/0316460	A1*	12/2010	Schulze et al. 410/104
2011/0027034	A1*	2/2011	Chamoun 410/104
2011/0058914	A1*	3/2011	Ogden 410/101
2011/0129315	A1*	6/2011	Womack et al. 410/104
* cited by examiner			

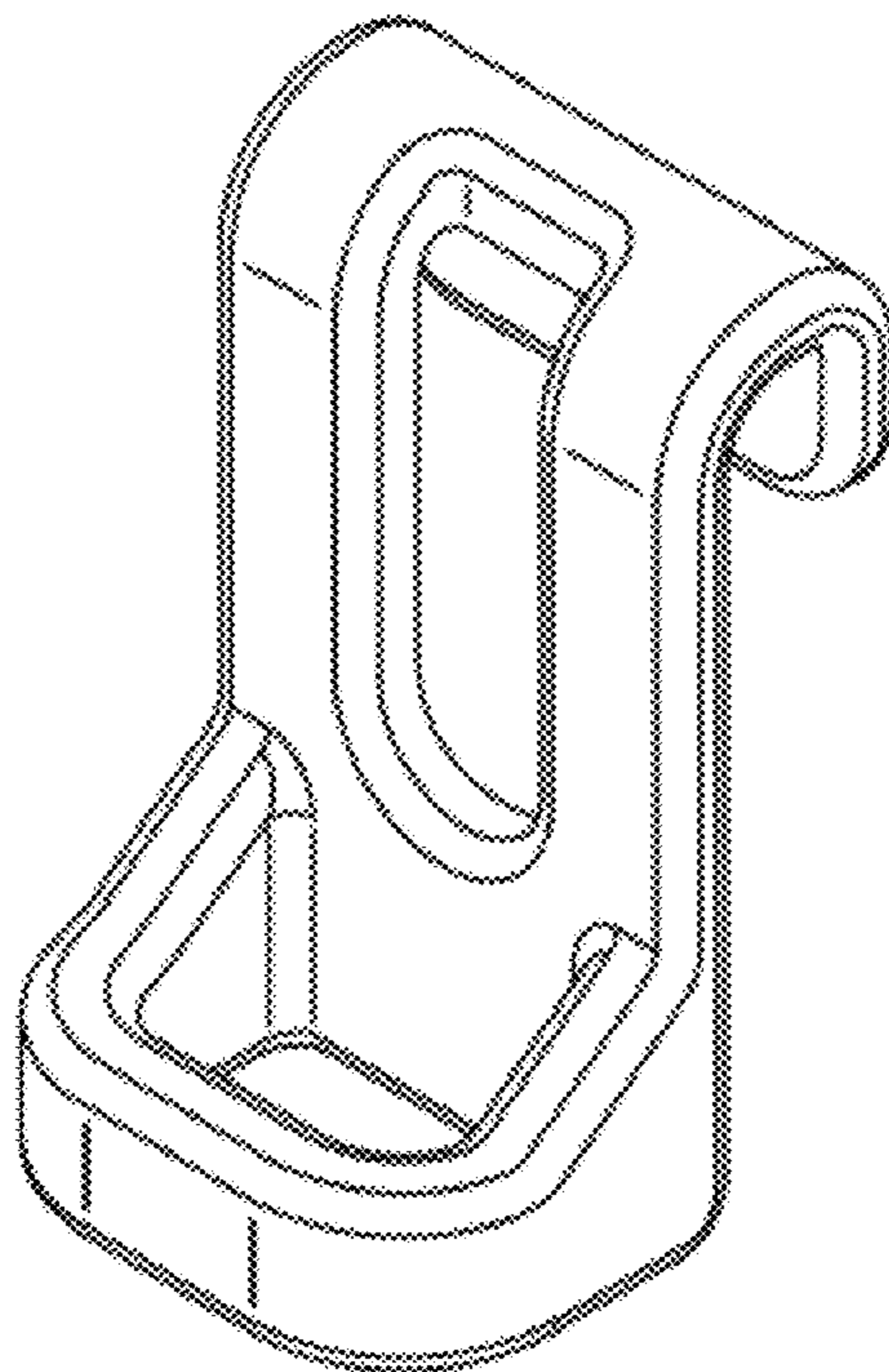


FIG. 1

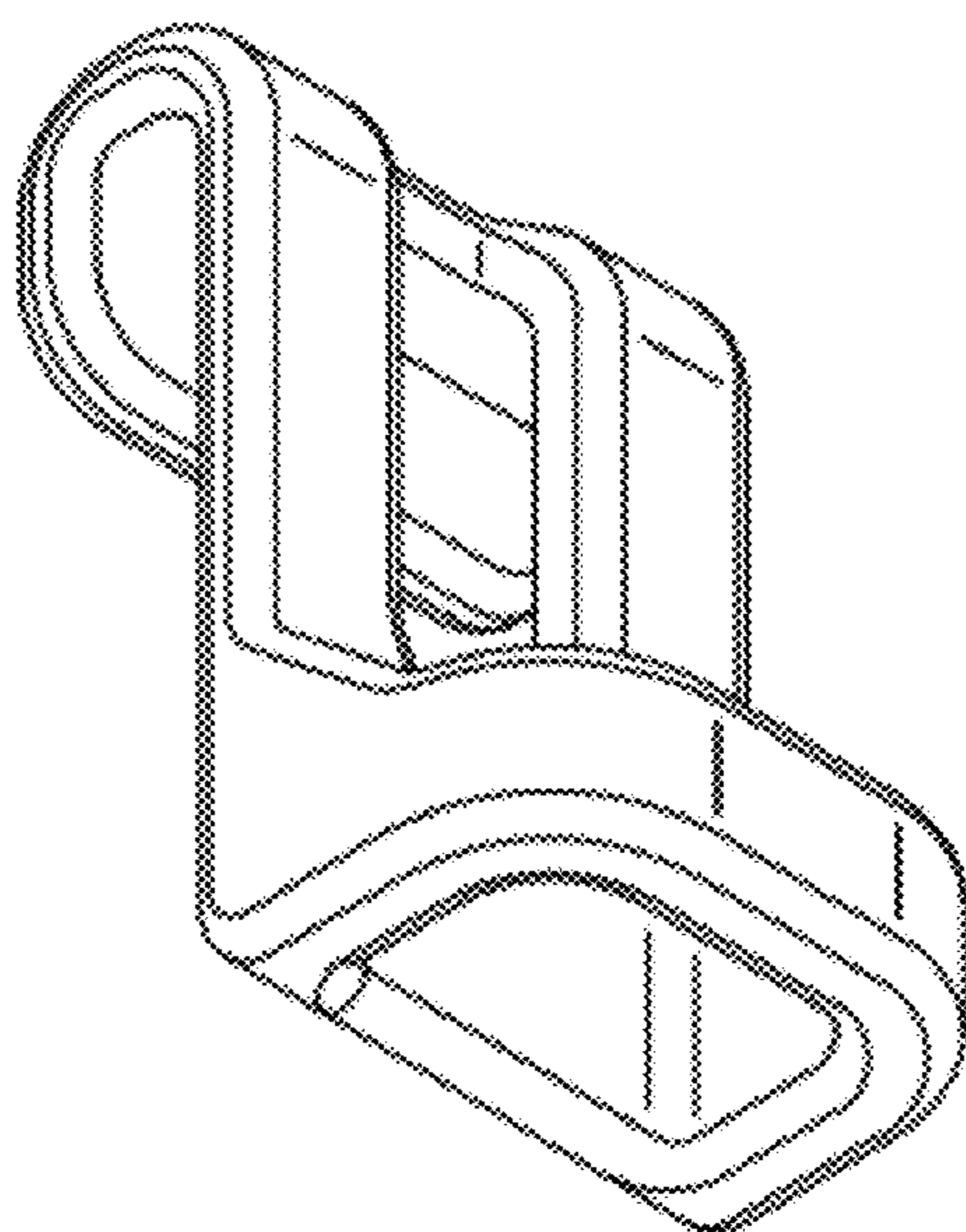


FIG. 2

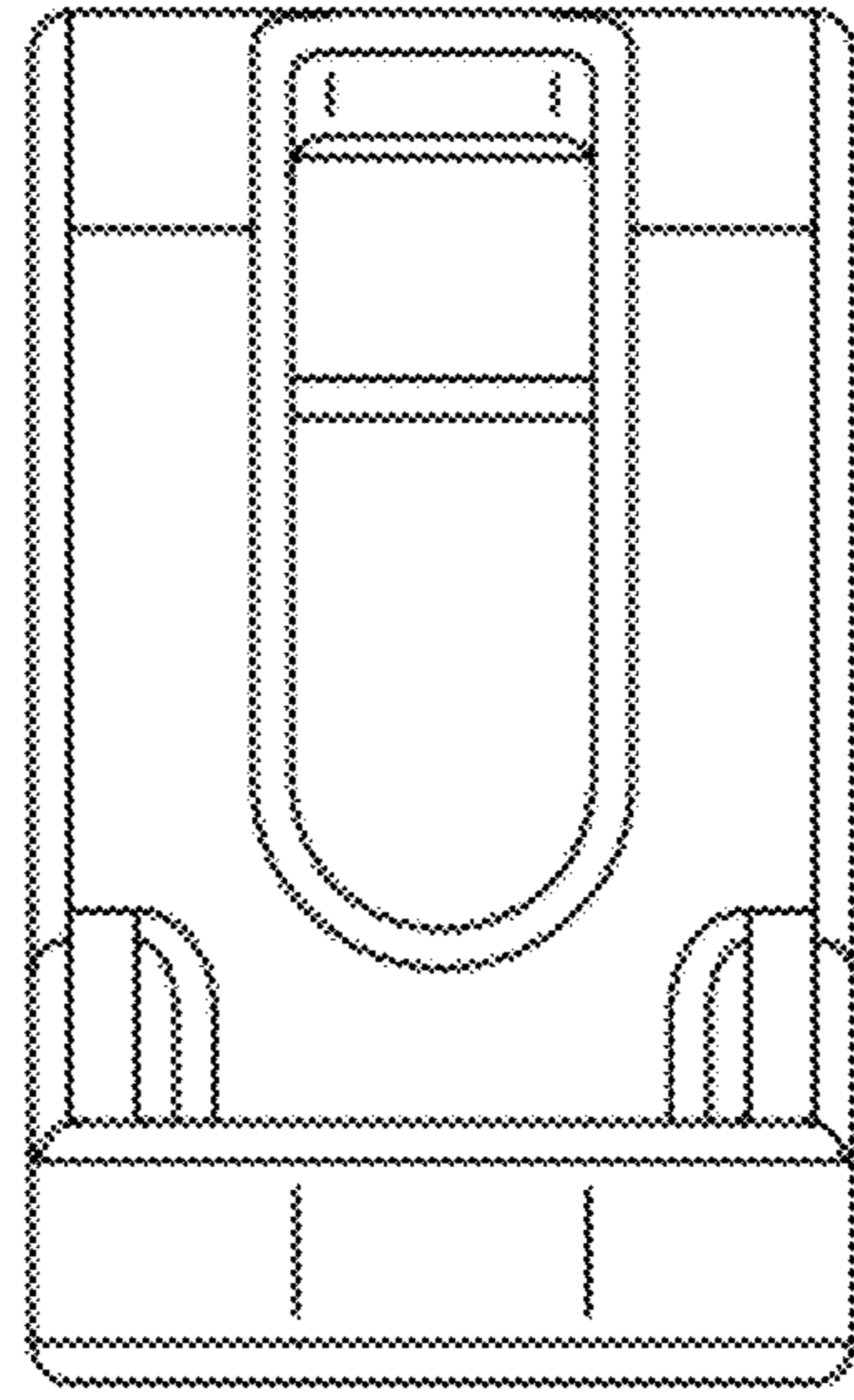


FIG. 3

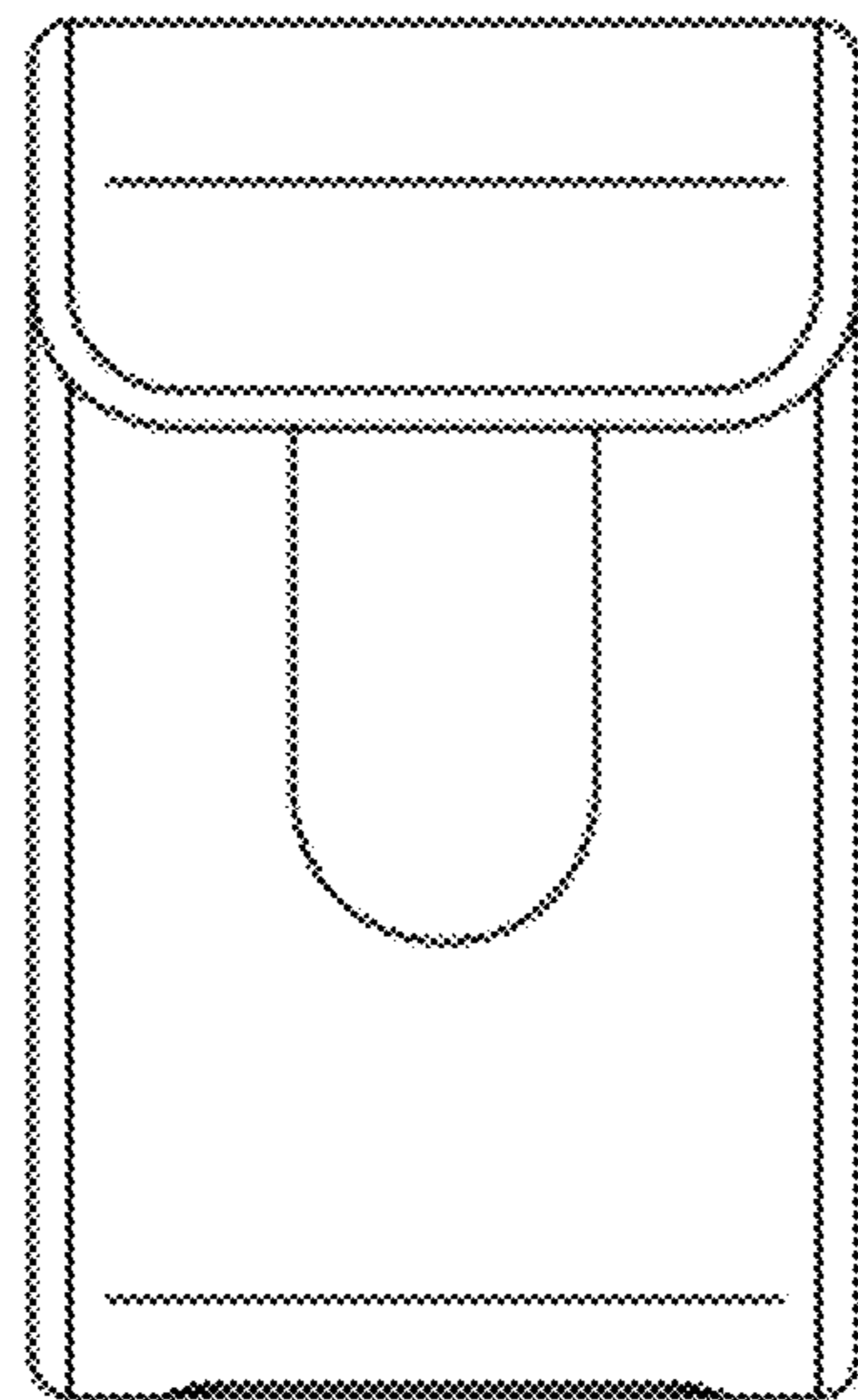


FIG. 4

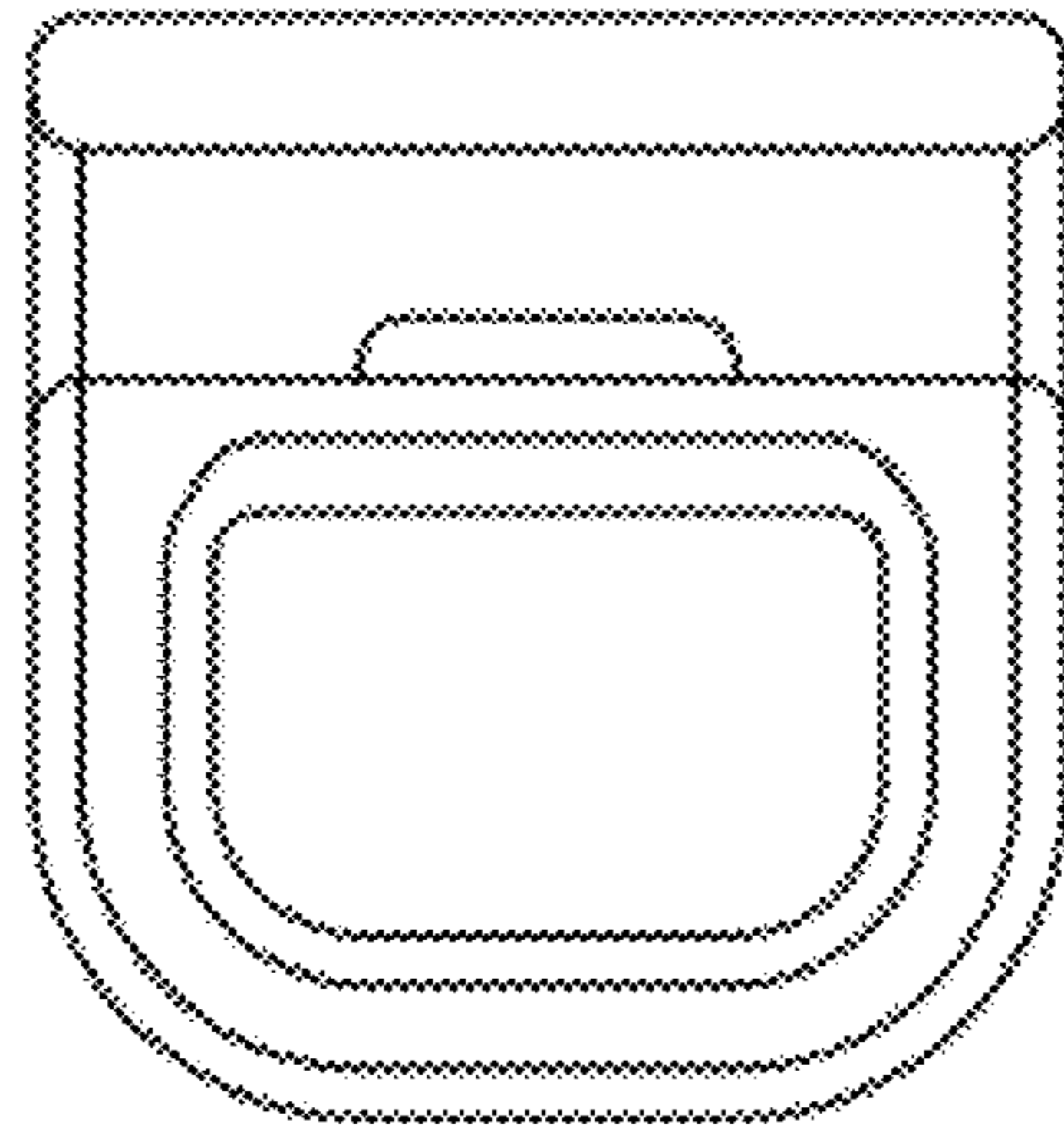


FIG. 5

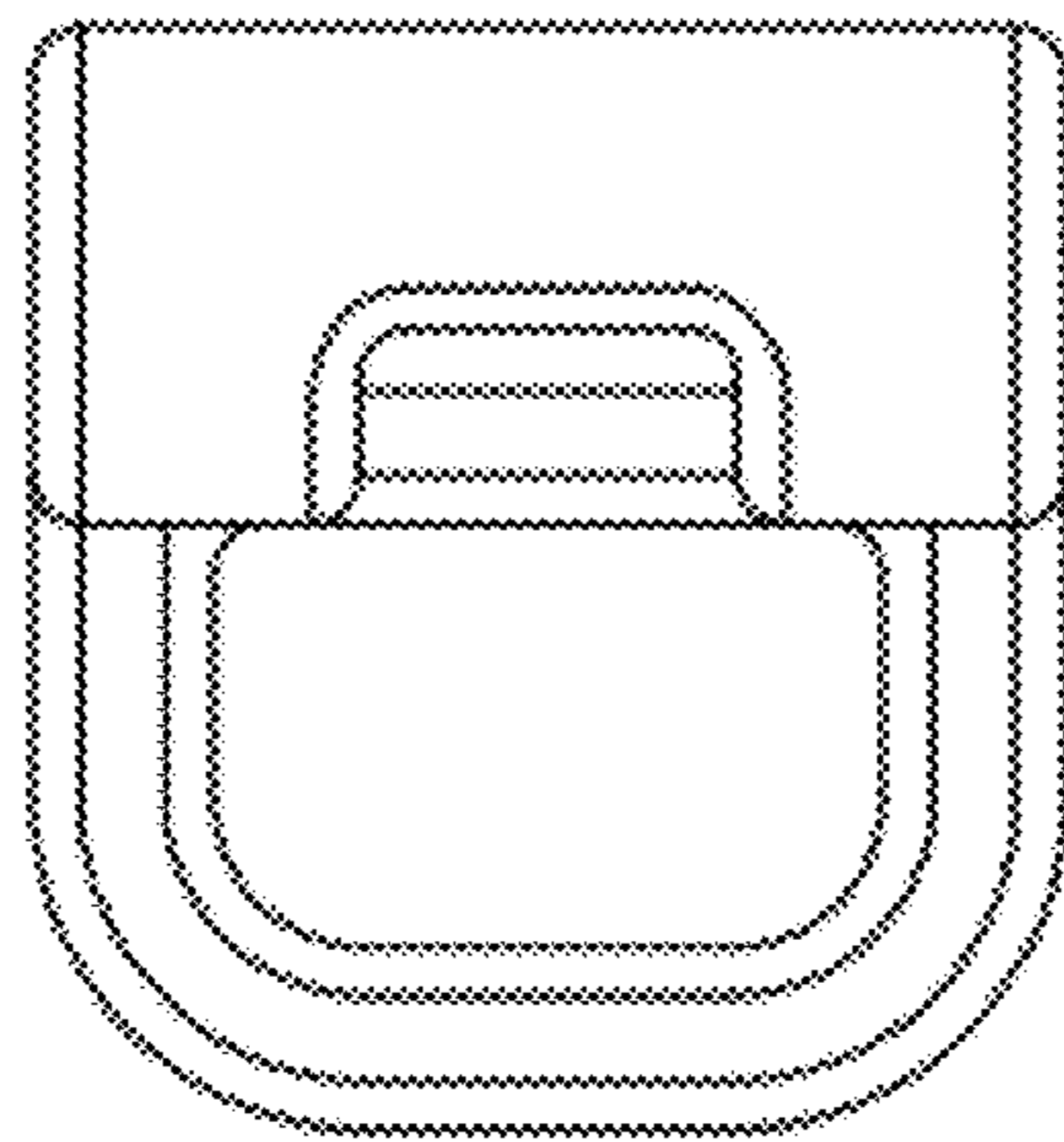


FIG. 6

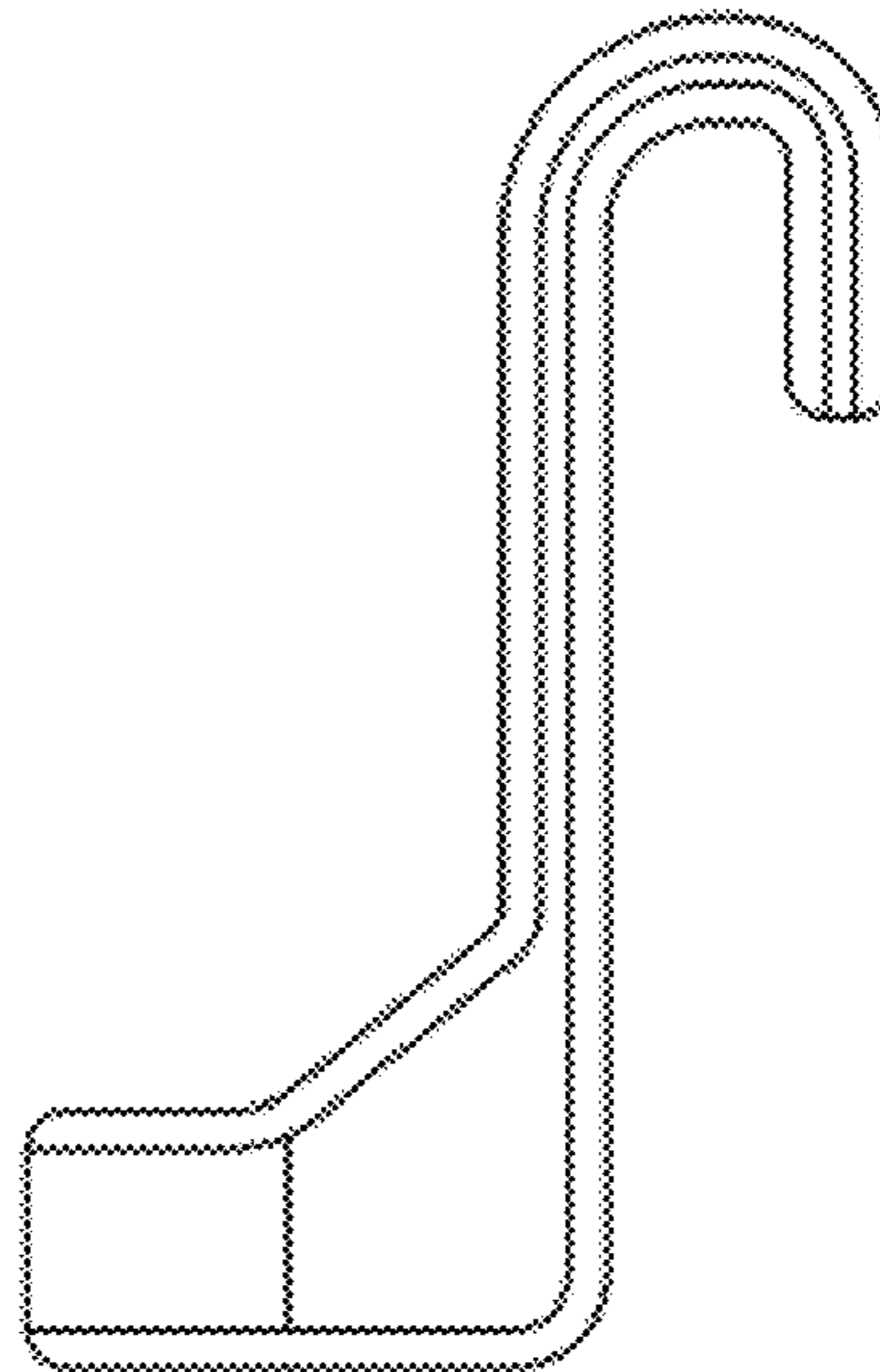


FIG. 7