

US00D663608S

(12) **United States Design Patent**
Ruperto

(10) **Patent No.:** **US D663,608 S**
(45) **Date of Patent:** **** Jul. 17, 2012**

(54) **BRACKET FOR SOLAR ROOF SYSTEM**

(76) Inventor: **Roman Ruperto**, Riverside, CA (US)

(**) Term: **14 Years**

(21) Appl. No.: **29/381,140**

(22) Filed: **Dec. 15, 2010**

(51) **LOC (9) Cl.** **08-05**

(52) **U.S. Cl.** **D8/354**

(58) **Field of Classification Search** D8/349,
D8/354, 356, 366, 373, 380, 382, 394, 395;
D12/223; D14/229; 248/68.1, 237, 200,
248/205.1, 207, 209, 300, 309.1, 351, 262-265,
248/682, 220.1, 248; 126/622, 623; 52/698,
52/518, 27, 703, 706, 710, 745.17, 126.6,
52/173.3, 747.1

See application file for complete search history.

(56) **References Cited**

U.S. PATENT DOCUMENTS

D203,676	S	2/1966	Kane	
4,180,958	A	1/1980	Brody	
D274,787	S *	7/1984	Cronce	D8/373
D275,178	S	8/1984	Yeater	
D285,411	S *	9/1986	Mahoney	D8/366
D327,002	S *	6/1992	Breen	D8/373
5,398,476	A	3/1995	Knight	
D382,464	S	8/1997	McCoy et al.	
5,746,029	A	5/1998	Ullman	
D483,249	S *	12/2003	Klein et al.	D8/373
D483,250	S *	12/2003	Klein et al.	D8/373
D494,045	S *	8/2004	Van Essen et al.	D8/366
D494,050	S *	8/2004	Klein et al.	D8/373
D494,051	S *	8/2004	Klein et al.	D8/373
D562,115	S *	2/2008	Michaud et al.	D8/366

(Continued)

Primary Examiner — Mark Goodwin

(74) *Attorney, Agent, or Firm* — Kirk A. Buhler; Buhler & Associates

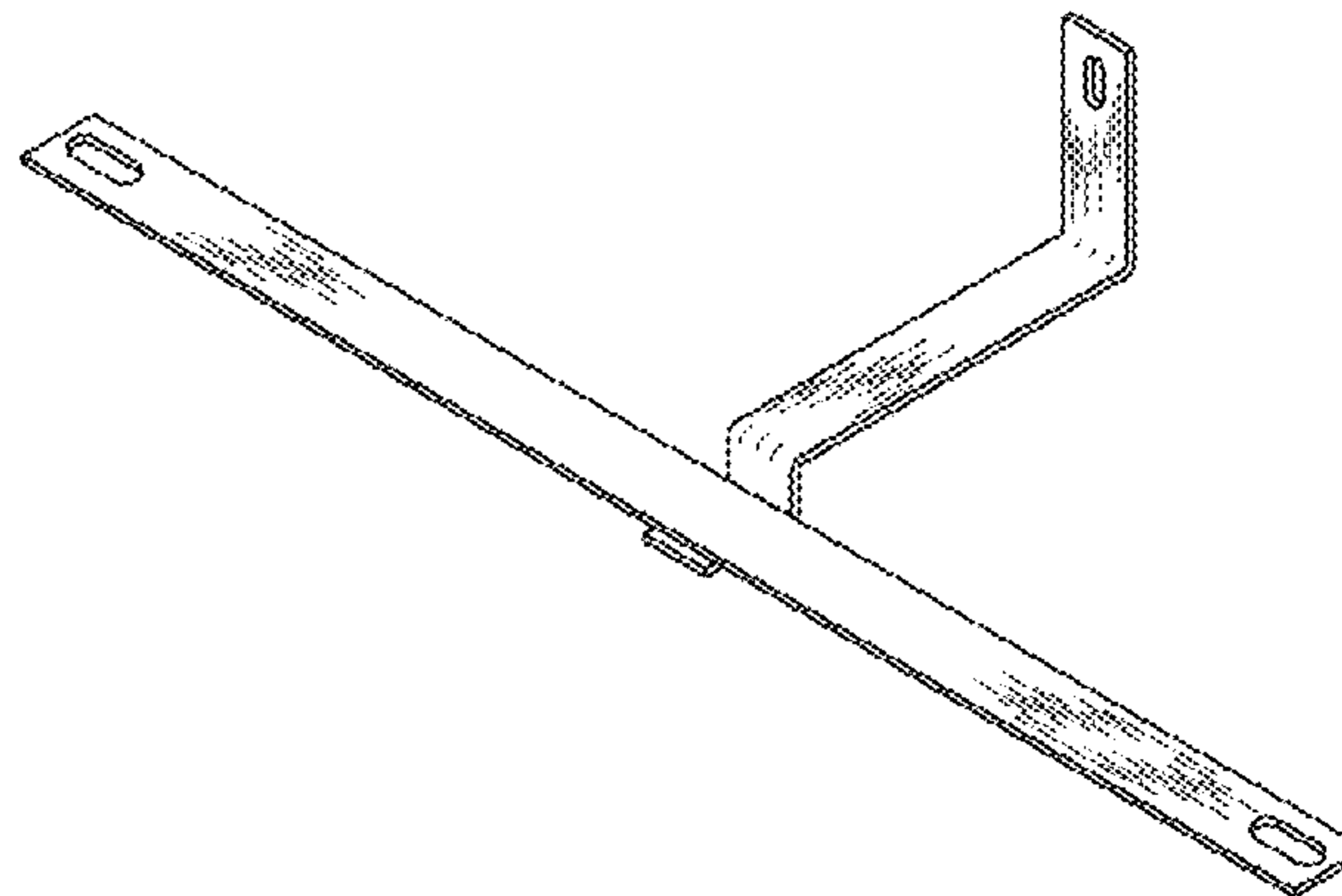
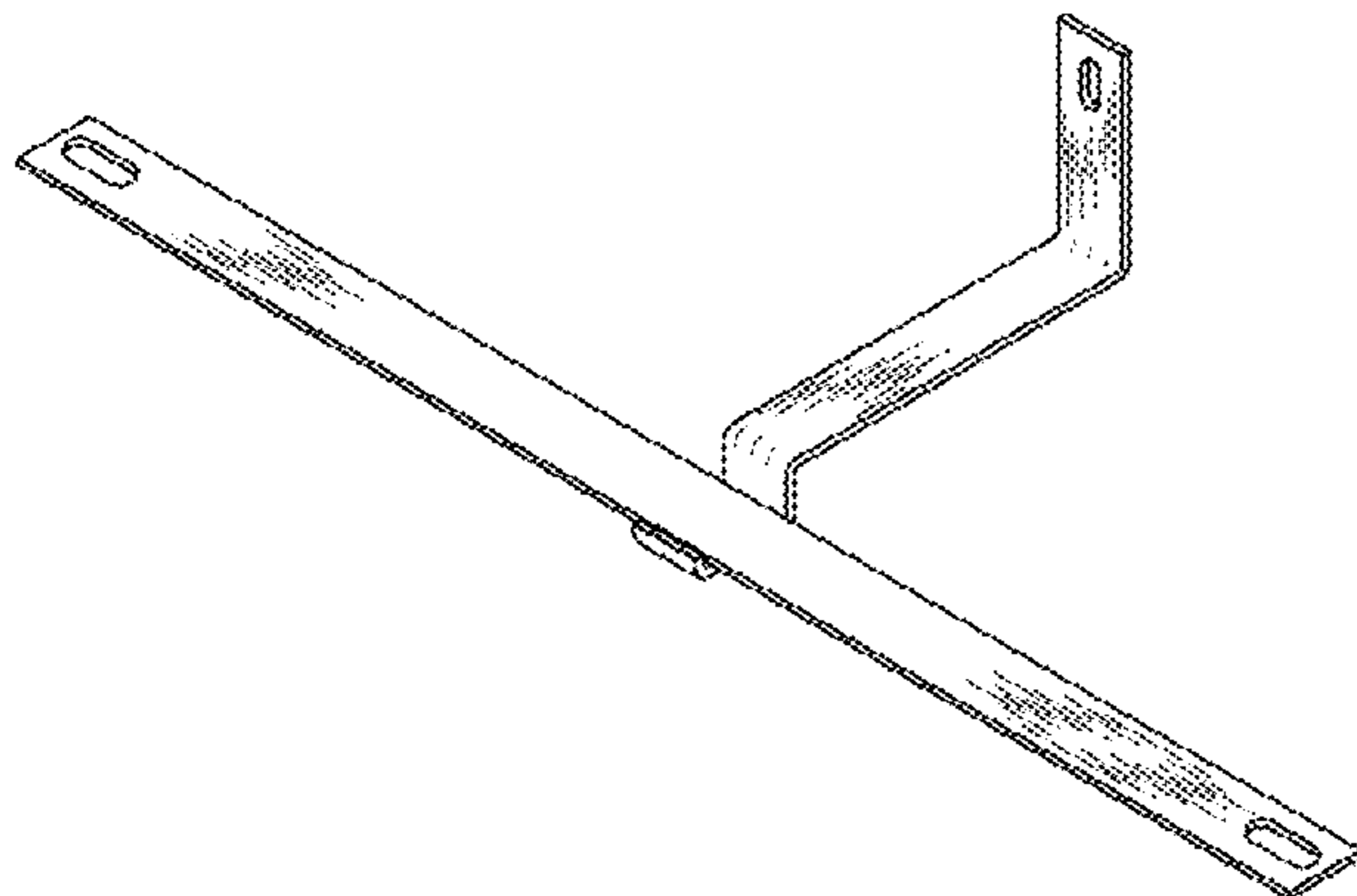
(57) **CLAIM**

The ornamental design for a bracket for solar roof system, as shown and described.

DESCRIPTION

FIG. 1 is a top right perspective view of a first embodiment of a bracket for solar roof system showing my new design; FIG. 2 is a bottom side view of the first embodiment thereof; FIG. 3 is a top side view of the first embodiment thereof; FIG. 4 is a front side view of the first embodiment thereof; FIG. 5 is a back side view of the first embodiment thereof; FIG. 6 is a right side view of the first embodiment thereof; the left side view being a mirror image thereof; FIG. 7 is a right side view of a second embodiment thereof; the left side view being a mirror image thereof; FIG. 8 is a top right perspective view of the second embodiment thereof; FIG. 9 is a bottom side view of the second embodiment thereof; FIG. 10 is a top side view of the second embodiment thereof; FIG. 11 is a front side view of the second embodiment thereof; FIG. 12 is a back side view of the second embodiment thereof; and, FIG. 13 is an isometric view thereof shown in an environment of use. The broken lines in FIG. 13 depict environmental subject matter of S-Tiles on a roof rafters and form no part of the claimed design and is shown for the convenience of illustration.

1 Claim, 8 Drawing Sheets



US D663,608 S

Page 2

U.S. PATENT DOCUMENTS							
7,658,356	B1	2/2010	Nehls	2007/0079865	A1	4/2007	Warfield et al.
7,686,268	B2 *	3/2010	Terunuma et al. 248/237	2007/0144105	A1	6/2007	Blanchard
7,797,883	B2	9/2010	Tarbell et al.	2007/0164183	A1 *	7/2007	Michaud et al. 248/300
D658,043	S *	4/2012	Burr D8/366	2009/0019796	A1 *	1/2009	Liebendorfer 52/173.3
2006/0016947	A1	1/2006	Capozzi et al.				

* cited by examiner

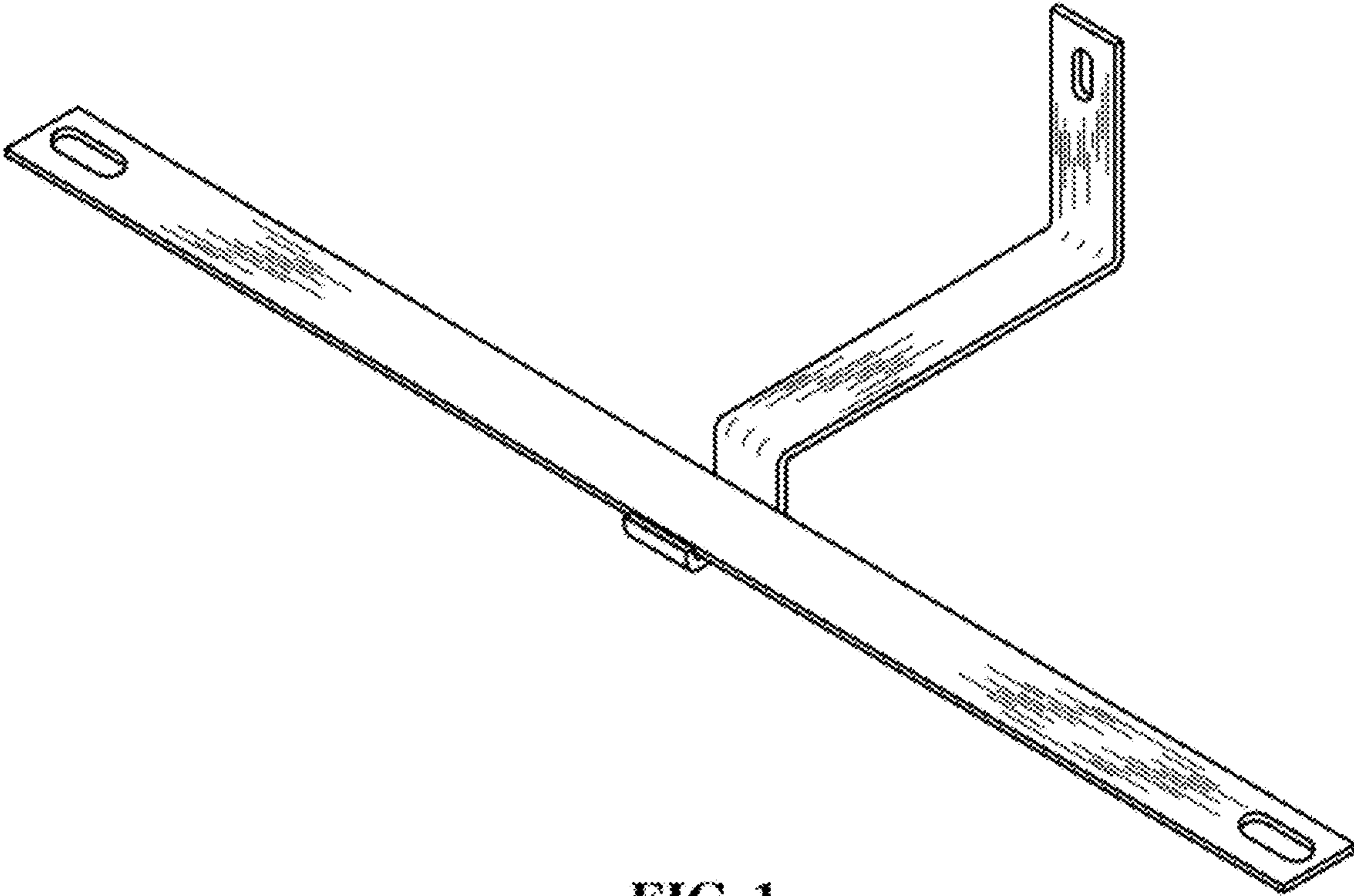
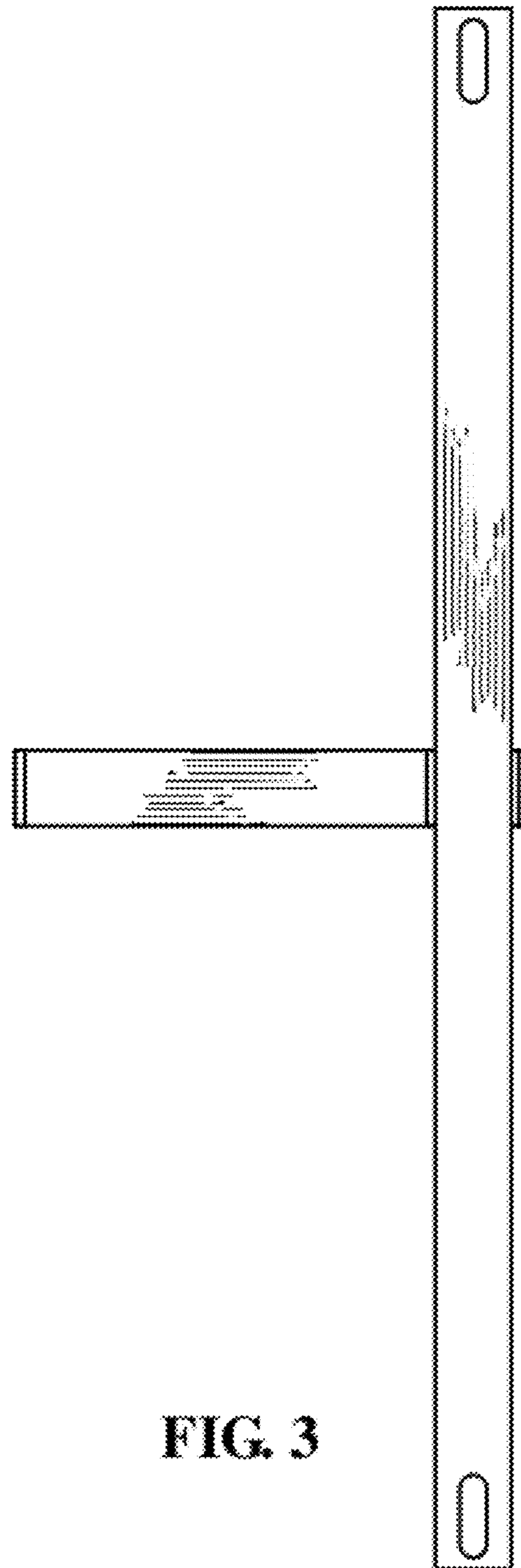
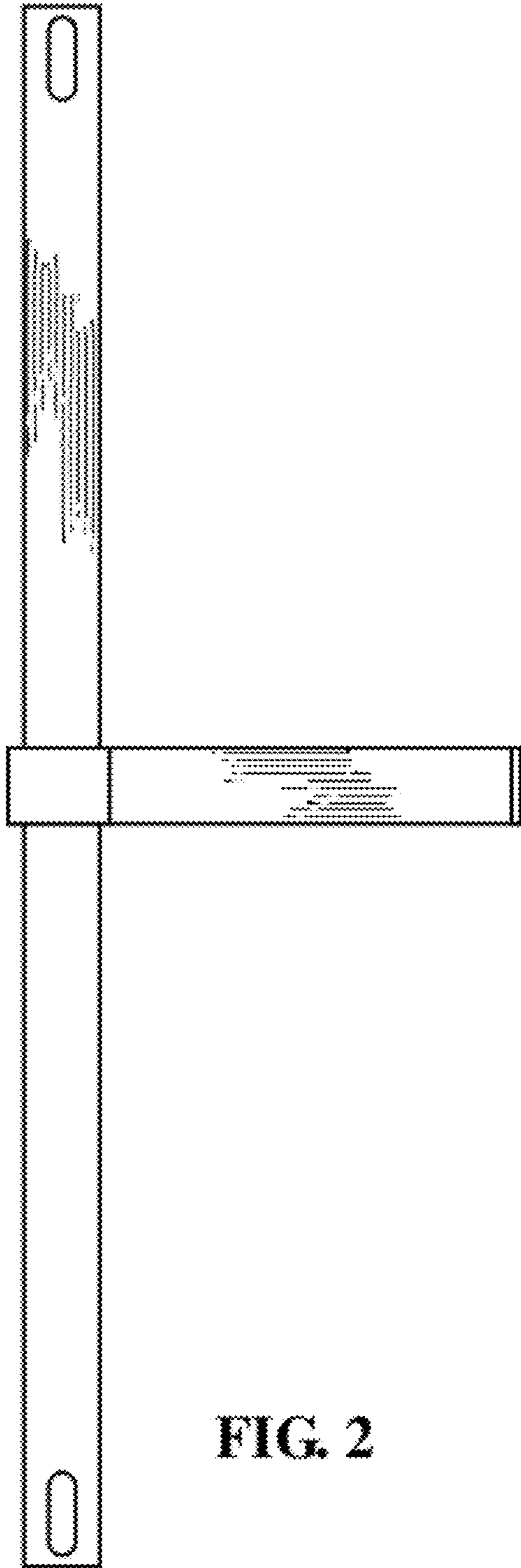


FIG. 1



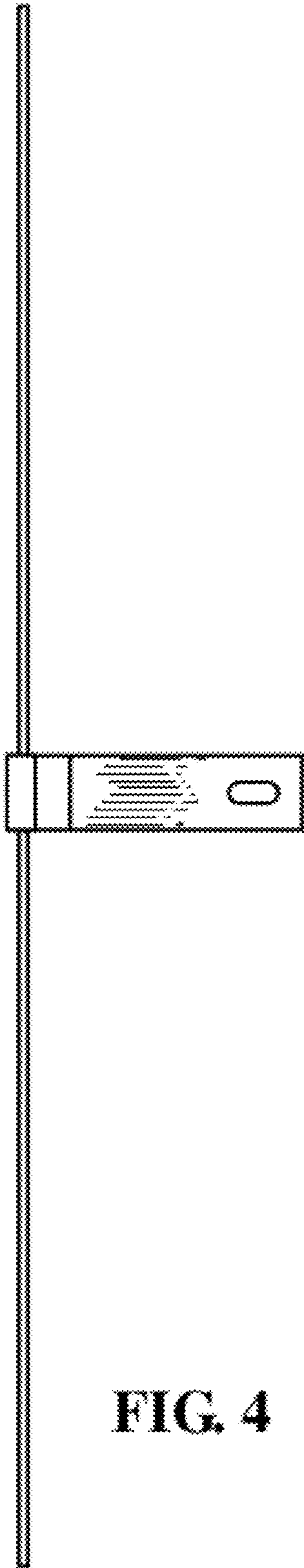


FIG. 4

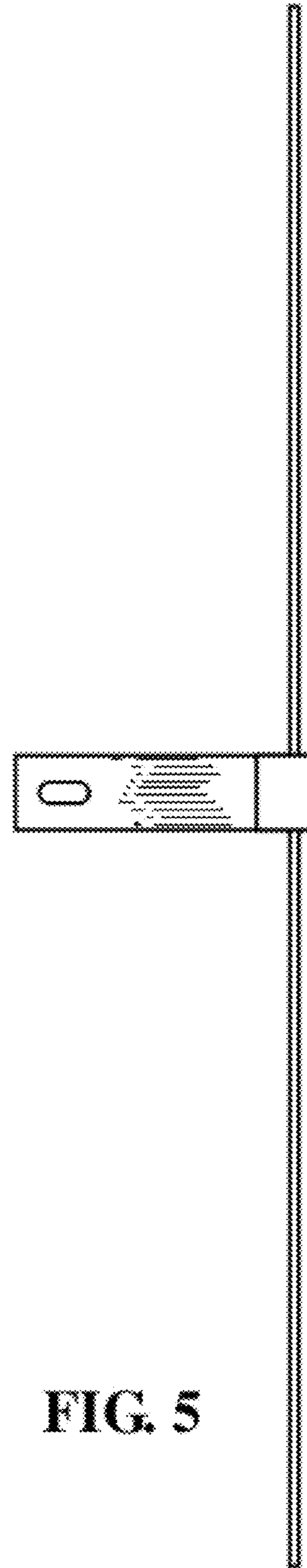


FIG. 5

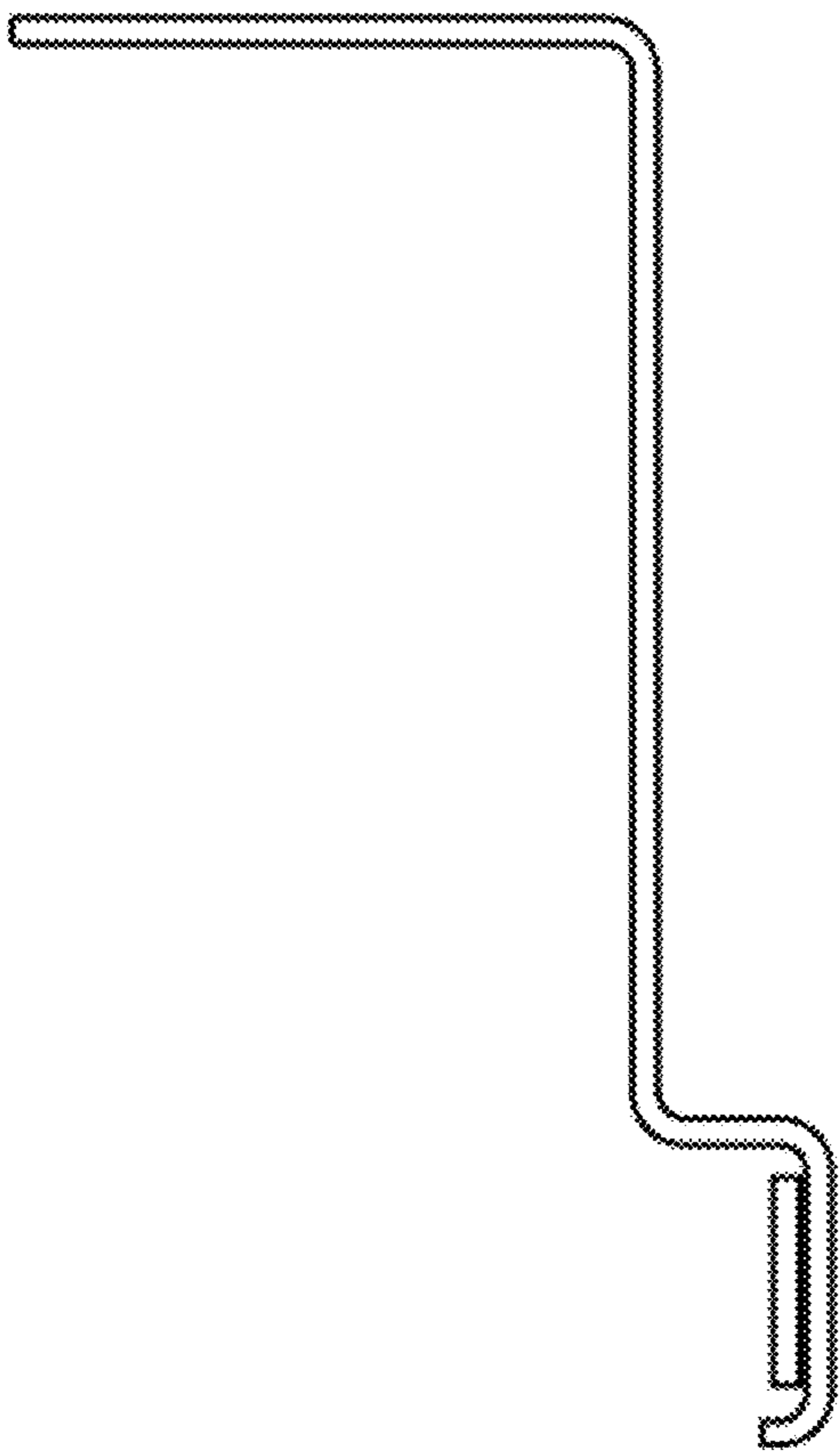


FIG. 6

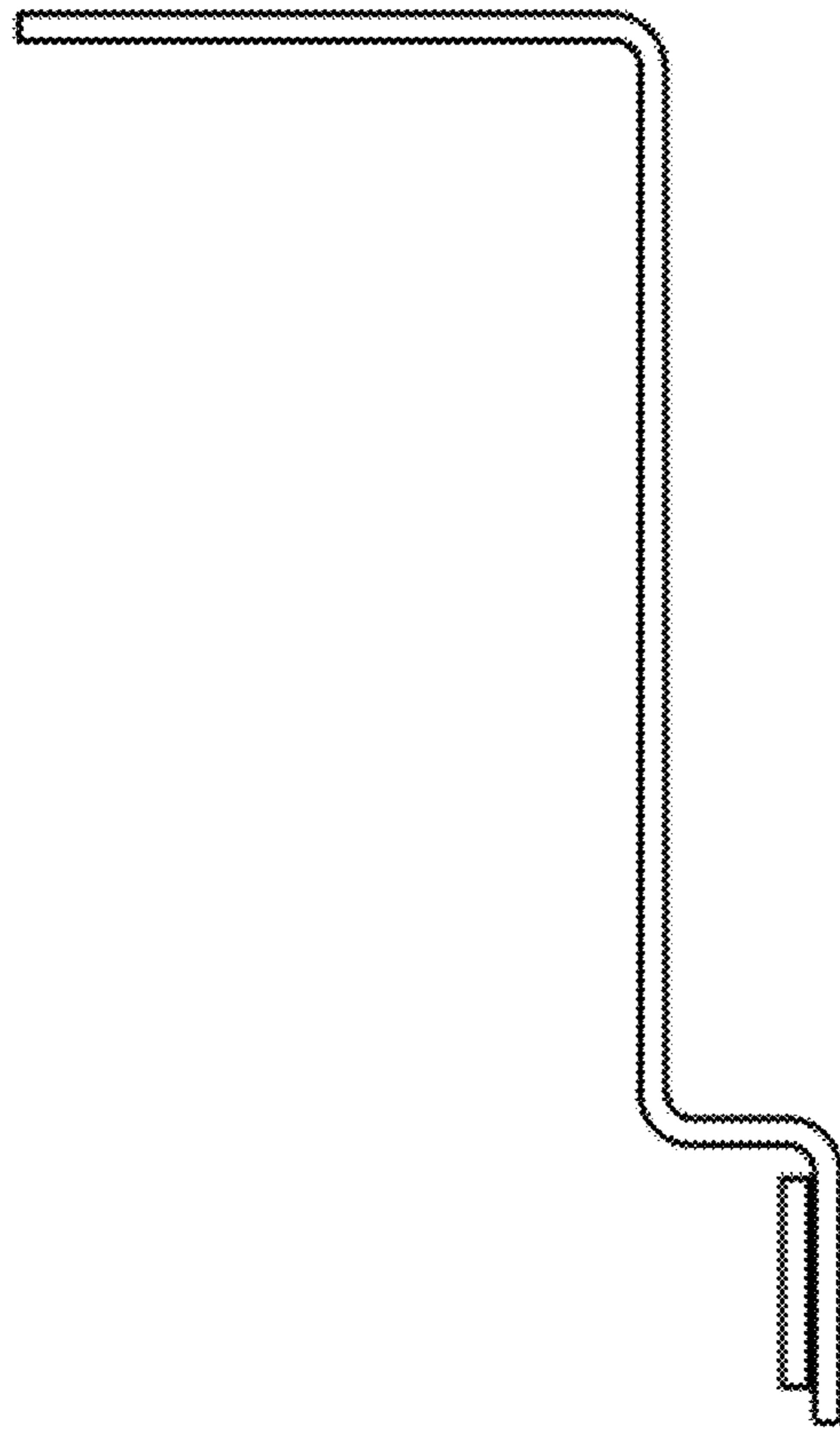


FIG. 7

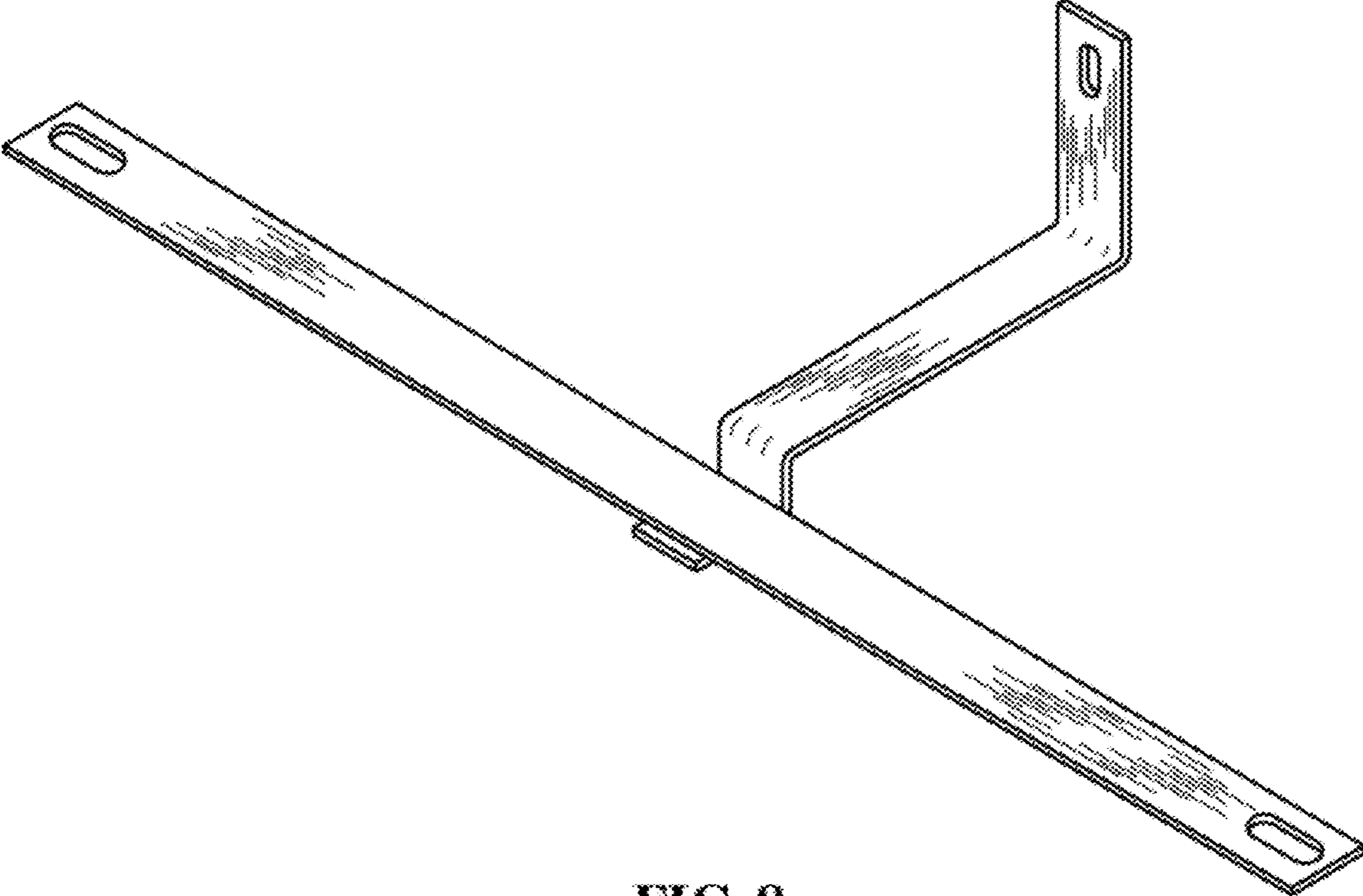
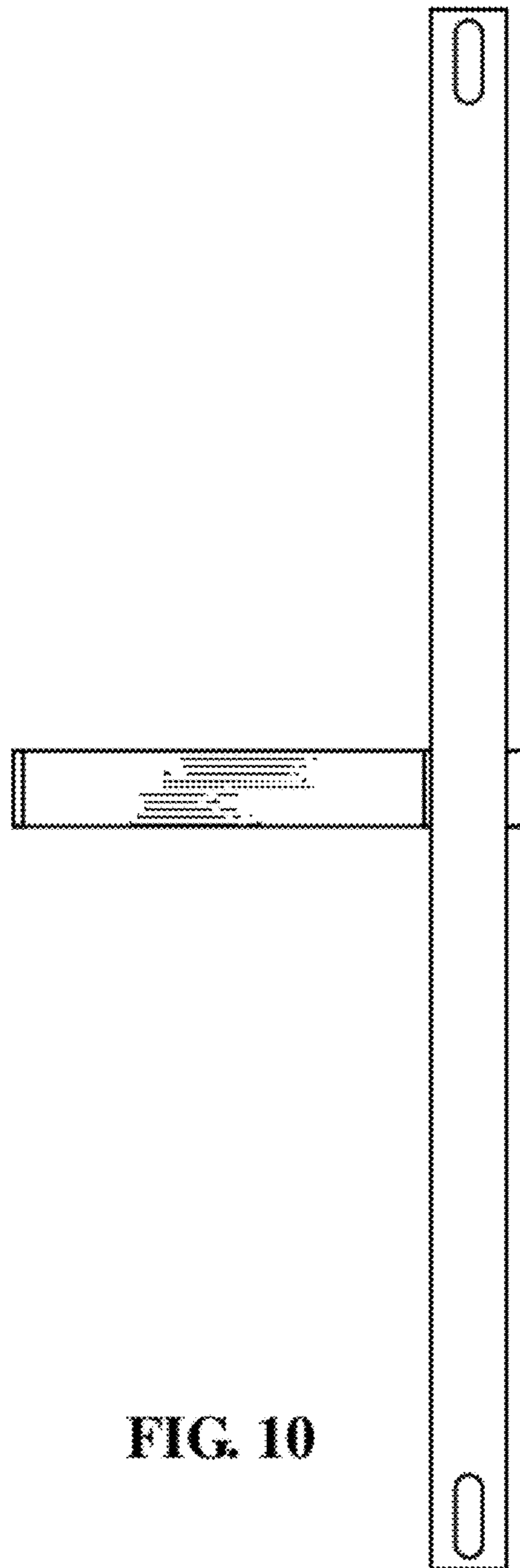
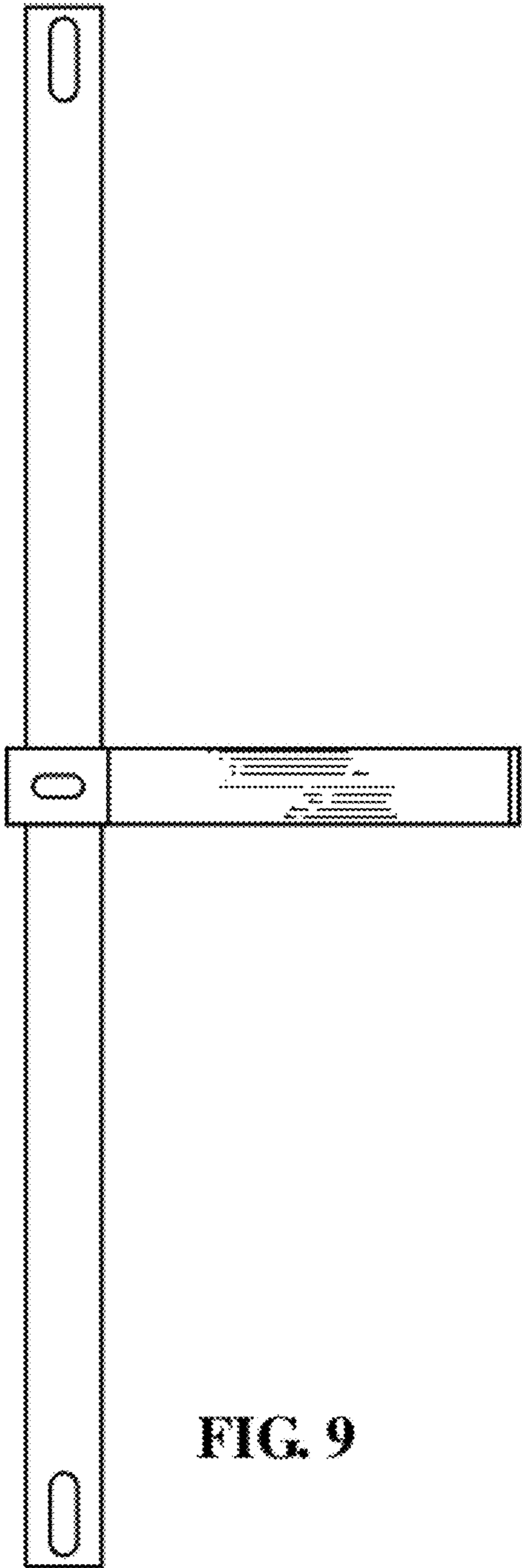


FIG. 8



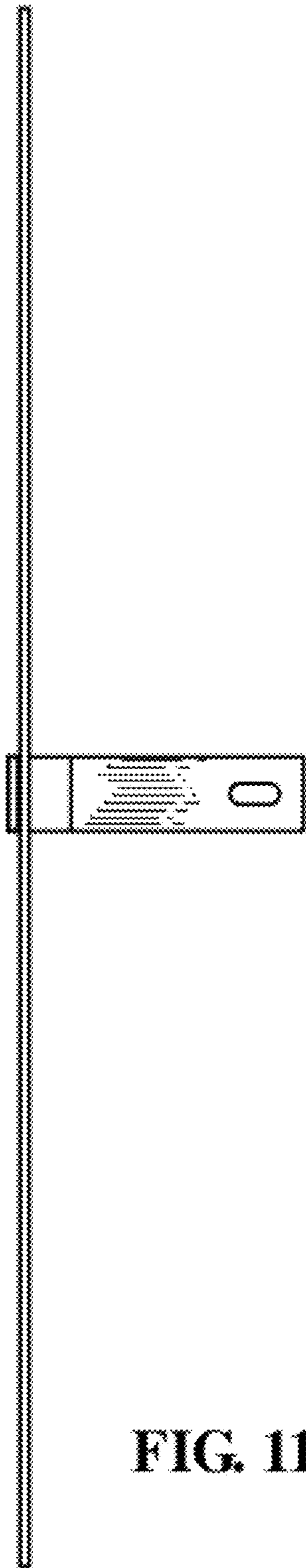


FIG. 11

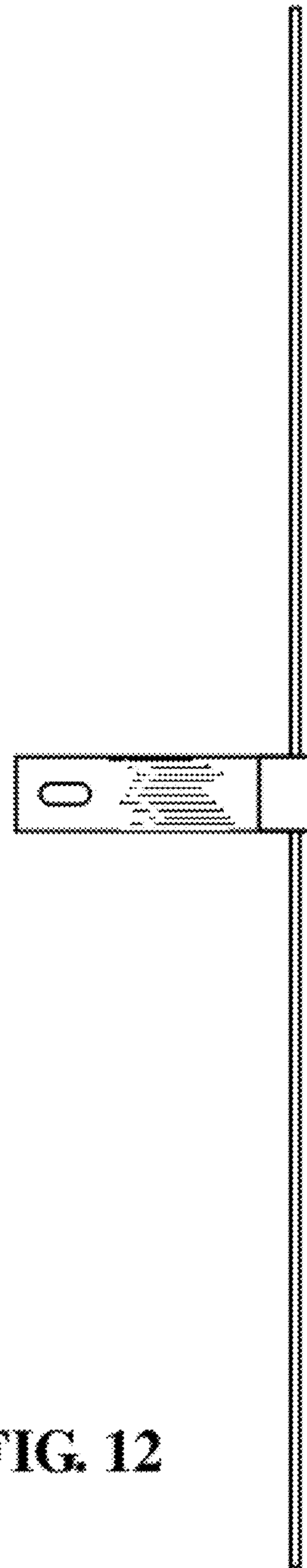


FIG. 12

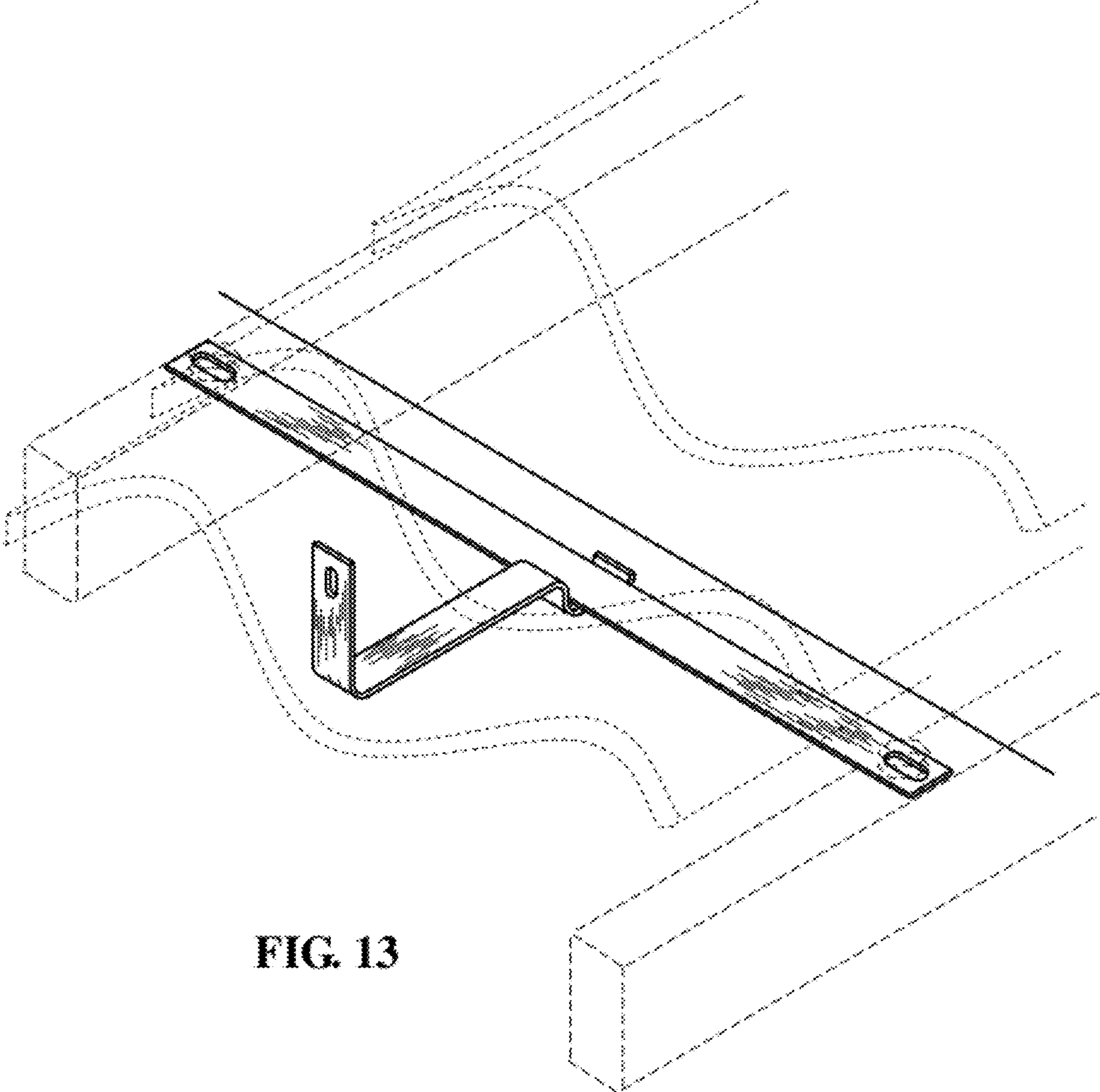


FIG. 13