

US00D663607S

(12) **United States Design Patent**  
**Rand**

(10) **Patent No.:** **US D663,607 S**

(45) **Date of Patent:** **\*\* Jul. 17, 2012**

(54) **BALLOON KEY**

(76) Inventor: **David W. Rand**, Longmont, CO (US)

(\*\*) Term: **14 Years**

(21) Appl. No.: **29/399,398**

(22) Filed: **Aug. 12, 2011**

(51) **LOC (9) Cl.** ..... **08-07**

(52) **U.S. Cl.** ..... **D8/348**

(58) **Field of Classification Search** ..... D8/347,  
D8/348, 330; 70/51, 393, 401, 405-408,  
70/450, 336, 345, 346, 265, 371, 271, 423-430  
See application file for complete search history.

(56) **References Cited**

**U.S. PATENT DOCUMENTS**

D225,301	S	*	12/1972	Uliano	.....	D8/348
4,747,282	A	*	5/1988	Nyun	.....	70/426
D367,602	S	*	3/1996	Schweig	.....	D8/347
5,577,403	A	*	11/1996	Steeley	.....	70/456 R
6,109,073	A	*	8/2000	Parsons	.....	70/16
D492,186	S	*	6/2004	Howard	.....	D8/347
7,043,945	B2	*	5/2006	Hollingsworth	.....	70/16
D557,110	S	*	12/2007	Castegnier	.....	D8/347

D608,618	S	*	1/2010	Rand	.....	D8/348
D632,543	S	*	2/2011	Liu	.....	D8/348
D633,370	S	*	3/2011	Rand	.....	D8/348

\* cited by examiner

*Primary Examiner* — Prabhakar Deshmukh

(74) *Attorney, Agent, or Firm* — Patent Law Offices of Rick Martin, P.C.

(57) **CLAIM**

The ornamental design for a balloon key, as shown and described.

**DESCRIPTION**

FIG. 1 is a front perspective view of a balloon key showing my new design;

FIG. 2 is front elevational view thereof;

FIG. 3 is a rear elevational view thereof;

FIG. 4 is a left side elevational view thereof;

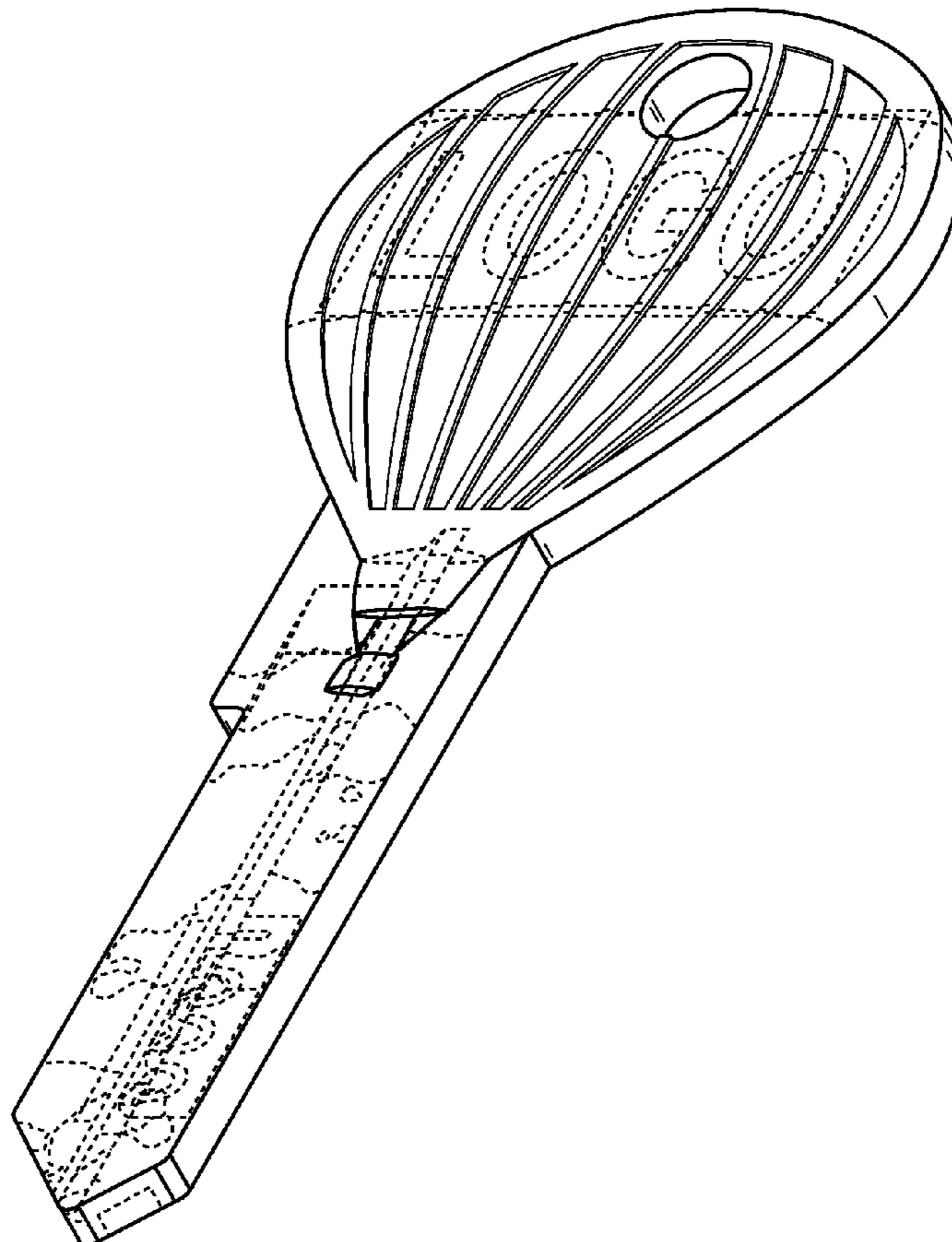
FIG. 5 is a right side elevational view thereof;

FIG. 6 is a top plan view thereof; and,

FIG. 7 is a bottom plan view thereof.

The broken lines are for illustrative purpose only and form no part of the claimed design.

**1 Claim, 3 Drawing Sheets**



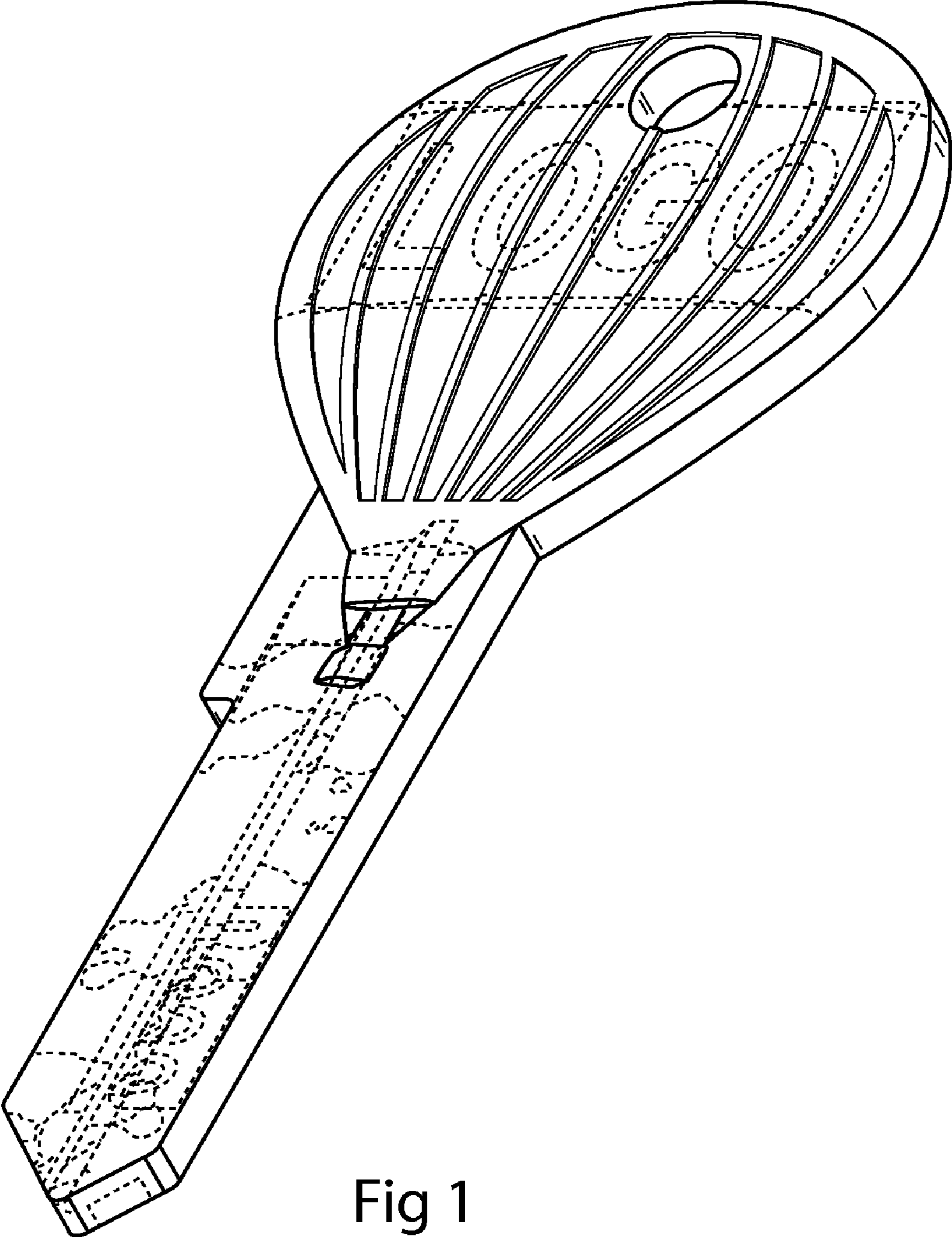


Fig 1

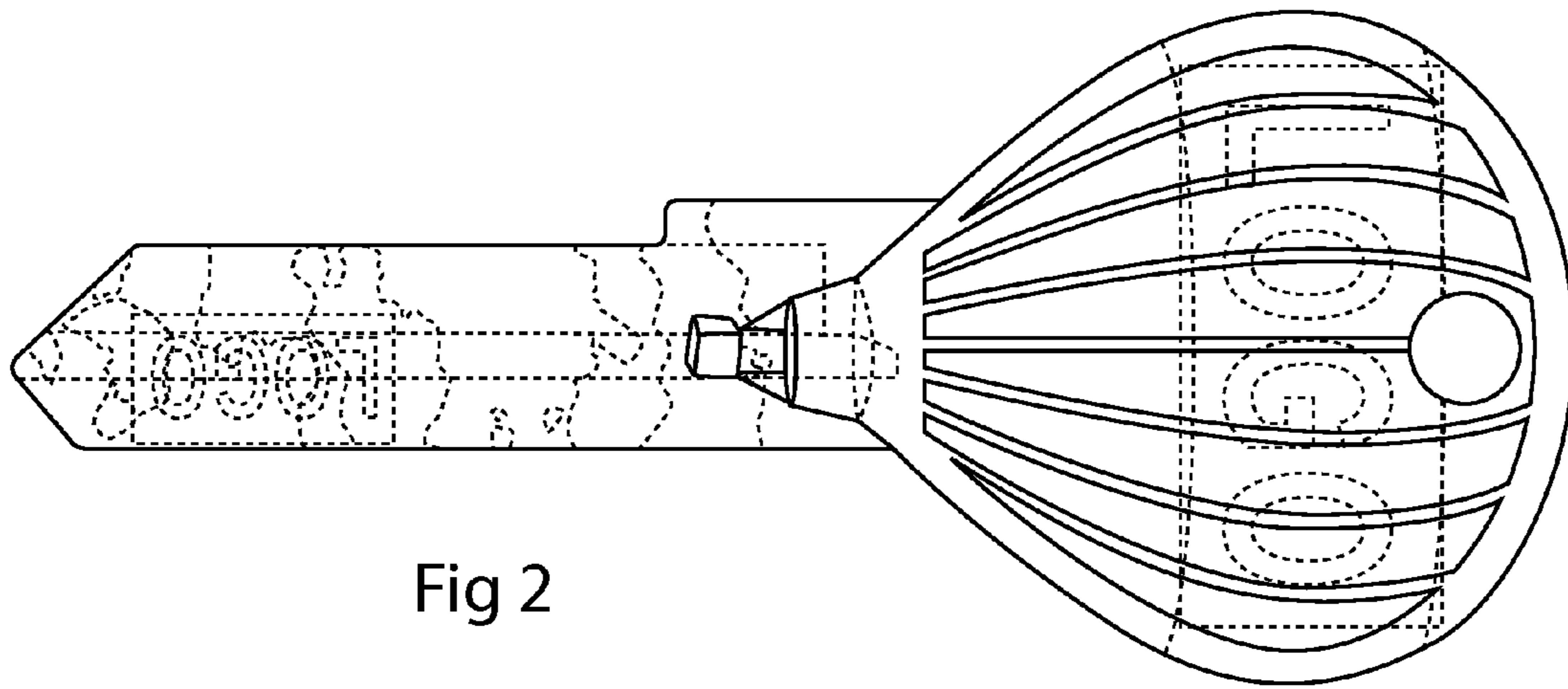


Fig 2

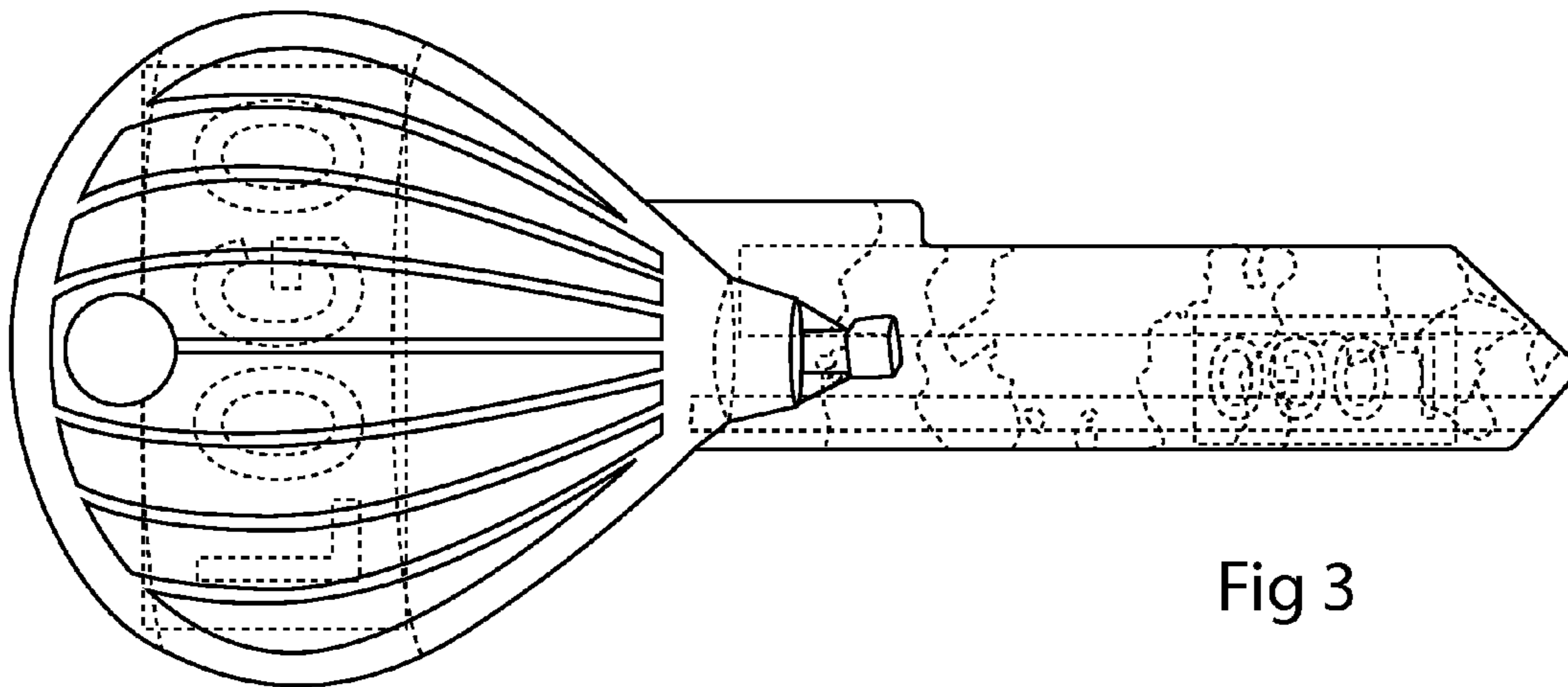


Fig 3

Fig 4



Fig 5

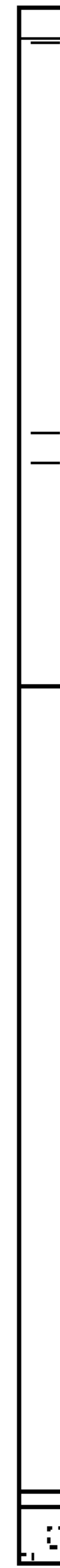


Fig 6



Fig 7

